

## 24 INCH FREESTANDING GAS RANGE

BGR24102SS



### Cooktop

- 4 gas burners
- Easy to clean enamel burner plate
- Electronic ignition knob integrated
- Flame failure safety device
- Cast iron pan supports

### Range

- Large oven capacity 2.51 cu. ft.
- 2 Wire Oven Racks
- Easy to remove side racks
- Gas safety valve
- Easy Clean gray enamel
- Interior lighting
- Adjustable feet
- LPG conversion kit

### Accessories

- Side trim kit optional
- Island trim included

### Dimensions

H x W X D: 36" x 23 9/16" x 25 3/4"  
Height is without island trim  
Depth includes knobs & handle

## In Harmony with Your Life



### Large Oven Capacity

Blomberg knows you can never have too much room in your oven, even if there's not a lot of room in your kitchen. That's why we engineered a generous 2.51 cu. ft. oven capacity into our 24-inch range.



### Flame-failure Safety Device

All Blomberg 24-inch gas ranges are designed to be intelligent and safe as well as stylish and efficient. Cooking burners are equipped with a flame failure safety device that automatically cuts off the gas supply should a gust of wind, a spill, or a boil-over extinguish the burner flame at any time during cooking.



### Easy Clean Gray Enamel

Blomberg 24-inch oven cavities are coated with a long-lasting, nonporous, gray enamel finish that is not only attractive but also extremely easy to clean. Just a simple wipe with a damp cloth is all it takes to remove fresh spills and keep your oven looking like new.



### Gas Safety Valve

All Blomberg gas ranges feature oven broilers equipped with a gas safety device that automatically cuts off the gas supply if it senses the broiler flame has been accidentally extinguished during cooking.

## 24 INCH FREESTANDING GAS RANGE

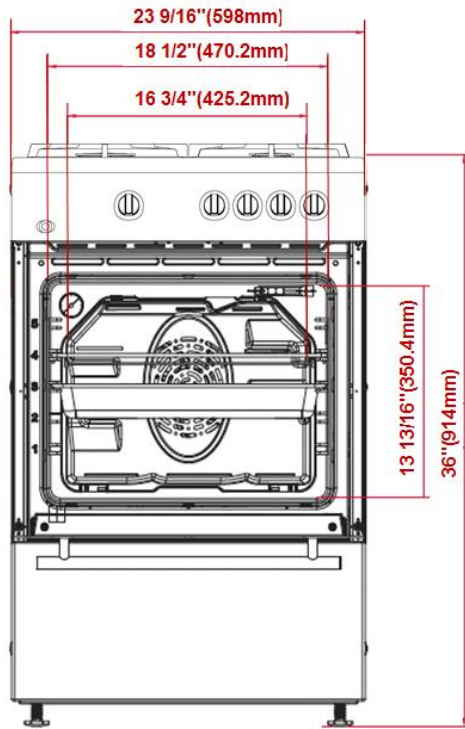
### BGR24102SS

| GENERAL                              | BGR24102SS                        |
|--------------------------------------|-----------------------------------|
| Type                                 | Freestanding                      |
| Size                                 | 24"                               |
| Color                                | Stainless Steel                   |
| Side Walls                           | Black                             |
| Control type                         | Mechanical Control                |
| FUNCTIONS                            |                                   |
| Multi-dimensional Cooking            | No                                |
| Convection Cooking                   | No                                |
| Bottom Heater                        | Yes                               |
| Convection                           | No                                |
| Broiler                              | No                                |
| Broil                                | Gas                               |
| Convection broiler                   | No                                |
| Convection roast                     | No                                |
| True European convection             | No                                |
| SPECIAL FEATURES                     |                                   |
| 12/24-hour clock format              | -                                 |
| Splash Back                          | No                                |
| Island Trim                          | Included                          |
| Simmering                            | No                                |
| Cooling Fan                          | No                                |
| Cavity Enameling Color               | Gray                              |
| Oven Lights                          | 1 x Round light                   |
| Adjustable Feet                      | Yes                               |
| Anti-tip (tilting) bracket           | Yes                               |
| Bottom Compartment                   | No                                |
| Fuel Type                            | NG                                |
| LPG Conversion Kit                   | Yes                               |
| OVEN DOOR(S)                         |                                   |
| Oven Glass Window                    | Full Glass                        |
| Door Cooling System                  | 2Pane Heat Resistant Glass(fixed) |
| Net Capacity cu. ft.                 | 2.51 cu. ft.                      |
| Bottom Heating Element Wattage       | -                                 |
| Upper Heating Element Wattage        | -                                 |
| Convection Element Wattage           | -                                 |
| Low Grill (Broil)                    | -                                 |
| Grill (Broil)                        | -                                 |
| ACCESSORIES / OVEN CAVITY            |                                   |
| Rack Positions                       | 5 levels                          |
| Telescopic Pull-out Shelf System     | -                                 |
| Pyrolytic Self Cleaning              | No                                |
| Sabbath Mode                         | No                                |
| Broiler Pan                          | No                                |
| Wok adapter                          | -                                 |
| Chromed racks                        | 2                                 |
| COOKTOP                              |                                   |
| Zone Configuration                   | 4 Gas                             |
| Front Left                           | 10,000 BTU                        |
| Rear Left                            | 7,000 BTU                         |
| Front Right                          | 3,500 BTU                         |
| Rear Right                           | 7,000 BTU                         |
| Central                              |                                   |
| Pan Support Type                     | Continuous cast iron              |
| Pan Support Quantity                 | 2                                 |
| Gas Safety Device for hob            | Yes                               |
| Gas Safety Device for oven           | Yes                               |
| DIMENSIONS/WEIGHT                    |                                   |
| Required cutout dim (H x W x D) (in) | 36" x 24" x 24"                   |
| Overall dim - height                 | 36"                               |
| Overall dim - width                  | 23 9/16"                          |
| Overall dim - depth                  | 25 3/4"                           |
| Weight (lb./kg)                      | 149.5 lbs./68 kg                  |
| POWER / RATINGS                      |                                   |
| KW/Amps rating at 240V, 60Hz         | 110-120V 60Hz                     |
| Supply Cord & Plug                   | USA-Canada                        |
| Cable                                | Yes                               |
| INSTRUCTIONS FOR USE                 |                                   |
| Use & Care Manual                    | EN, SP, FR                        |
| Installation Manual                  | EN, SP, FR                        |

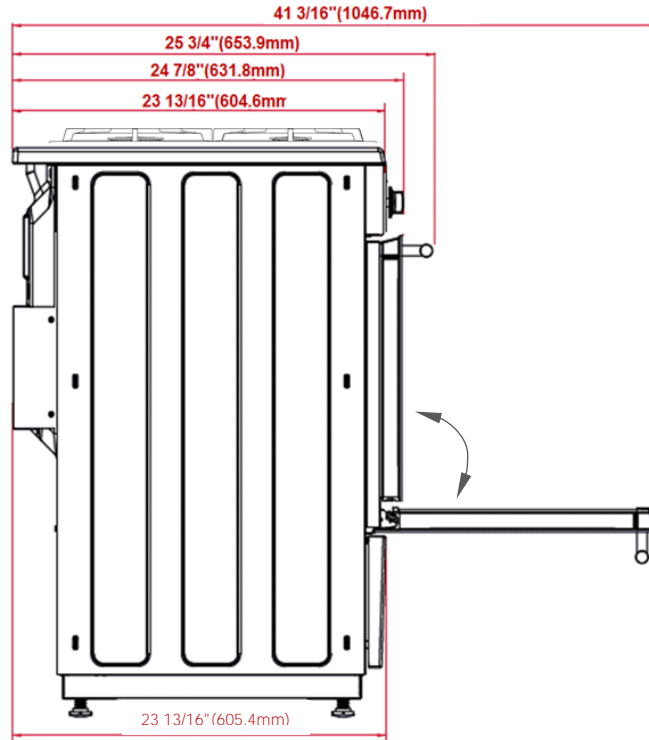
# 24 INCH FREESTANDING GAS RANGE

BGR24102SS

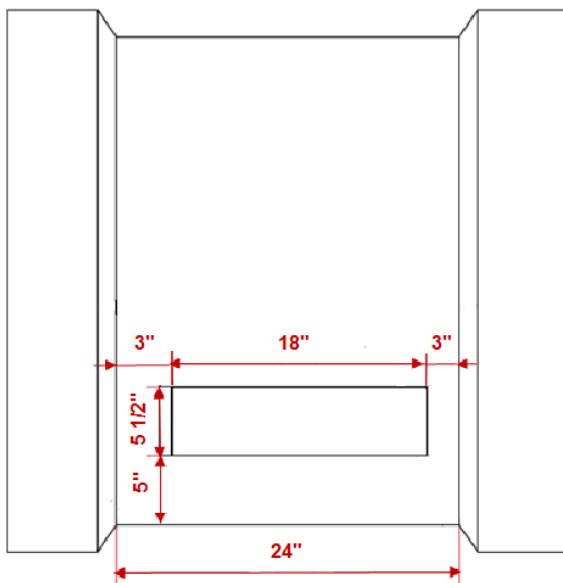
## Dimensions and Installation



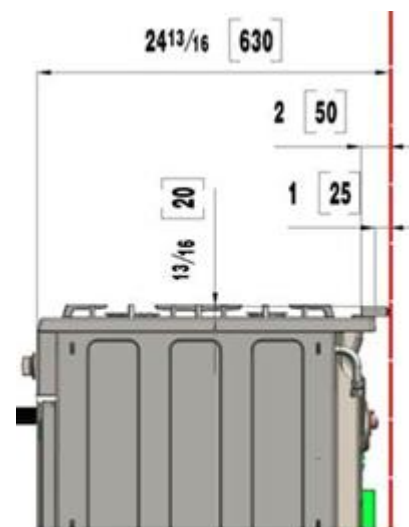
Cabinet



Island Trim



Required minimum air gap clearances: 1/4" sides



Island trim: standard comes with the range un-attached.

NOTE TO THE INSTALLER: All height, width and depth dimensions are shown in inches (as well as metric). Beko US Inc. reserves the absolute and unrestricted right to change product materials and specifications, at any time, without notice. Please visit our website [www.blombergappliances.us](http://www.blombergappliances.us) or call 888 352 2356 to verify the latest specifications with final dimensional data and other details prior to installation and making a cutout. Applicable product limited warranty information may be found in accompanying product materials or you may contact your account manager for further details. Proper installation is the responsibility of the installer. Product failure due to improper installation is not covered under the Limited Warranty.