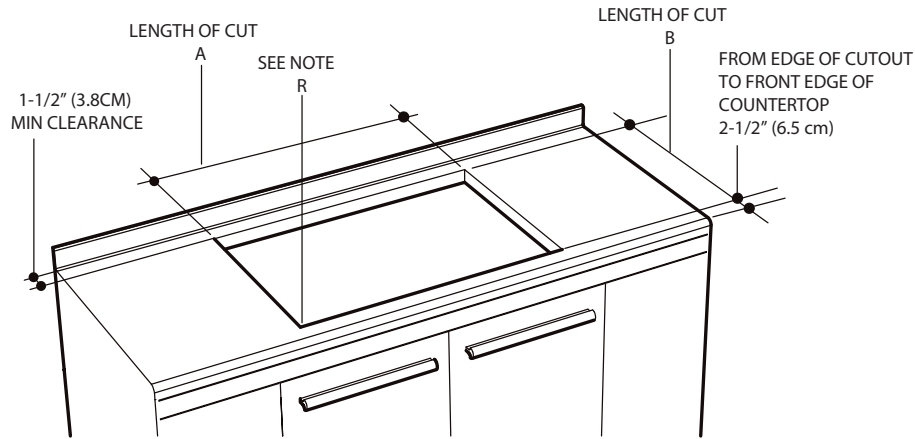


FULGOR MILANO

30" Induction Cooktop 700 SERIES

Weight & Dimensions

CUTOUT DIMENSION



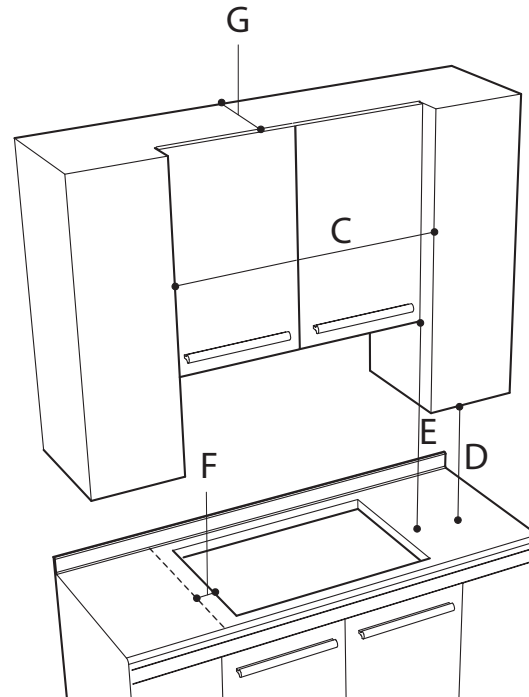
CUTOUT REQUIREMENTS

NOTE

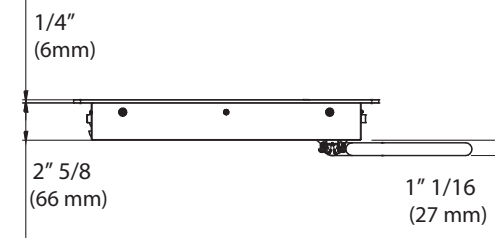
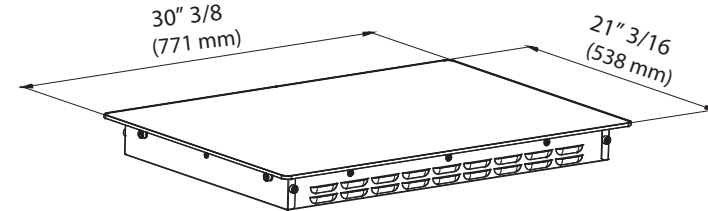
R
Radius corners of cutout and file to insure smooth edges and prevent corner cracking. Recommend 1/4" or 3/8" diameter drill in each.

* NOTE

24" (61 cm) min. clearance if bottom of wood or metal cabinets is protected by not less than 1/4" (0.6 cm) flame retardant millboard covered with no less than No. 28 MSG sheet steel 0.015" (0.04 cm) stainless steel, or 0.024" (0.06 cm) aluminum or 0.020" (0.05 cm) copper. 30" (76.2 cm) min. clearance between top of cooking platform and bottom of unprotected wood or metal cabinet.



WALL COVERING CABINETS, AND COUNTERTOP MUST WITHSTAND HEAT UP TO 93° C (200° F)



| Ltr. | CUTOUT DIMENSION | inch | cm |
|------|--|-----------------------|-----------------|
| A | Cutout Width | 28-3/4" +/- 1/16" | 73,0 +/- 0.1 |
| B | Cutout Depth | 19-7/16" +/- 1/16" | 49,4 +/- 0.1 |
| C | Opening between cabinets | Min 30" min | Min 76,2 |
| D | Height from countertop to nearest cabinet on either side of unit | Min 18" | Min 45.7 |
| E | Clearance from countertop to unprotected overhead surface | Min 30" | Min 76.2 |
| F | Clearance from cutout to side wall on the left and right of the unit | Min 2" | Min 5 |
| G | Depth of unprotected overhead cabinets | Min 13" | Min 33 |

| PACKAGING | | lb / inch | Kg / mm |
|--------------|---|-----------|---------|
| GROSS WEIGHT | | 36 lb | 16.3 Kg |
| DIMENSION | W | 34"1/2 | 876 |
| | D | 23"1/2 | 598 |
| | H | 7"1/4 | 185 |

Cooktop Installation

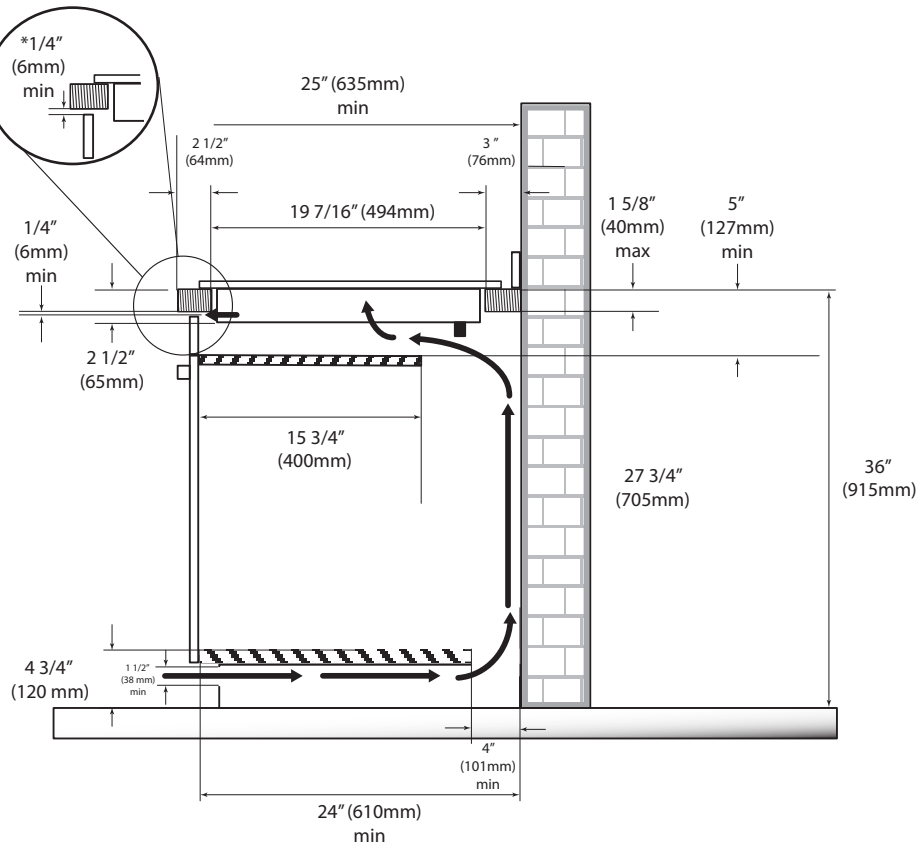
Important Preparation Suggestions

1. Chamfer all exposed edges of decorative laminate to prevent damage from chipping.
2. Radius corners of cutout and file to ensure smooth edges and prevent corner cracking. Recommend 1/4" or 3/8" diameter drill to start cut at each corner.
3. Rough edges, inside corners which have not been rounded and forced fits can contribute to cracking of the countertop laminate.

Cooktop Installation Over a Single Oven

- Use the countertop opening dimensions that are given with these Instructions.
- Check the cooktop base for an approved installation label. Verify approved oven model numbers that can be installed with your cooktop model number.
- The cooktop may be installed over a single oven.
- The cooktop should be centred over the oven.
- Both the cooktop and the oven must be installed according to each specific installation instruction.

* The ventilation opening is to extend the full length of the cooktop cutout.



* The ventilation opening is to extend the full length of the cooktop cutout.

