



## ASTI INSERT

COMFORT SERIES



LED lamps



backlit hidden metallic in/out knobs



stainless steel professional  
baffle filters

Asti is designed for discreet mounting inside cabinetry. At 28 1/4" wide and only 10 3/4" deep, Asti fits perfectly into 12" deep cabinetry and is ideal for kitchens where space is limited or the range hood needs to be out of sight.

Asti comes equipped with a powerful 400 CFM blower that can handle most cooking needs. Convenient Backlit Electronic Push Button Controls operate the 3 speed blower and LED lighting, while dishwasher safe anodized aluminum mesh filters offer easy maintenance.

Asti is designed for standard ducted or recirculating installation.

### Dimensions | Models

28 1/4" W x 10 3/4" D x 9 1/2" H | EAS428S1  
Asti 28" Stainless



FEATURES

Size (in) & Type	28" Wide Insert
Finish	Stainless steel
Controls	Backlit Push Button. 3 Speed
Illumination	2 LED 2,1 Watts
Installation Type	Ducted *Recirculating Kit sold separately
Blower Type	Recirculating Kit Sold Separately
Blower Performance	400 CFM, 3-Speed Internal Speed 1, 160 CFM Speed 2, 280 CFM Speed 3, 400 CFM
Noise (sones):	Min: 1.5, Max: 5.9 Sones
Filter Type	Dishwasher- Safe, Aluminum Mesh
Duct Transition	6" Round with Back Draft Damper (top)
Electrical	120V-60Hz 289 Watts at 2.43 Amps

Line Drawing

Accessories

Optional Recirculating Kit with 2 Carbon Filters

CODE: KITO2770  
MODEL: KITO2770



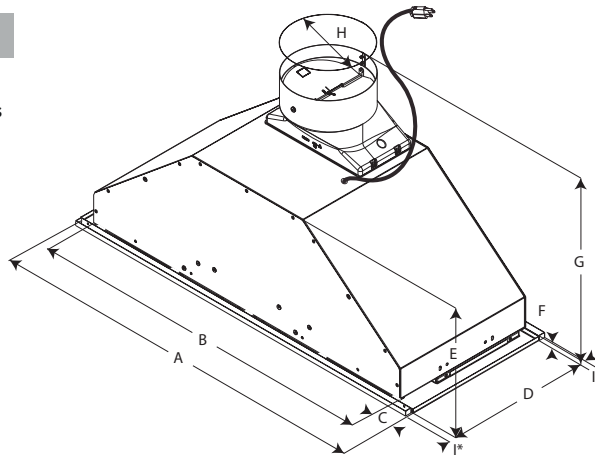
Optional 30" Hood Liner

29" W x 17 1/2" -20 1/2" D  
CODE: KITO2773  
MODEL: EXXHDL30



Optional 36" Hood Liner

35" W x 17 1/2" -20 1/2" D  
CODE: KITO2774  
MODEL: EXXHDL36



Model

**EAS428S1**

<b>A</b>	28 17/64" (71.8 cm)
<b>B</b>	26" (66 cm)
<b>C</b>	1 9/64" (2.9 cm)
<b>D</b>	10 3/4" (27.3 cm)
<b>E</b>	9 17/32" (24.2 cm)
<b>F</b>	0 21/64" (.85 cm)
<b>G</b>	14 9/16" (37 cm)
<b>H</b>	6" (15.2 cm)
<b>I*</b>	1/2" (1.27 cm)

Consumable parts

Replacement Grease Filter (1)

CODE: GFOEPA

Replacement Carbon Filter (1)

CODE: FB016A

Replacement Light Bulb (1)

CODE: 2006CL



LED LIGHT

LED lighting is undoubtedly the smartest solution in terms of energy saving. Expected life time of over 20.000 hours, represents the most remarkable advantage of LED light bulbs.

PLUS

Consumable parts are sold in units of one (1). Order accordingly.