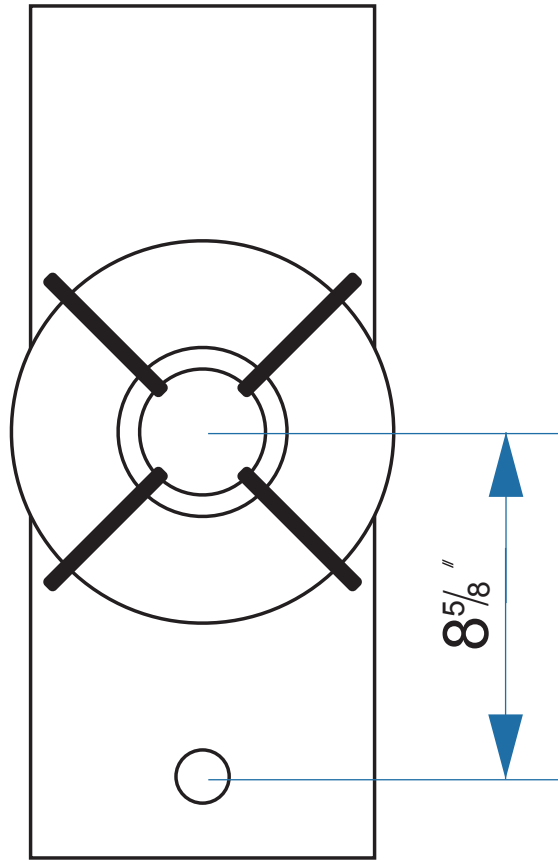
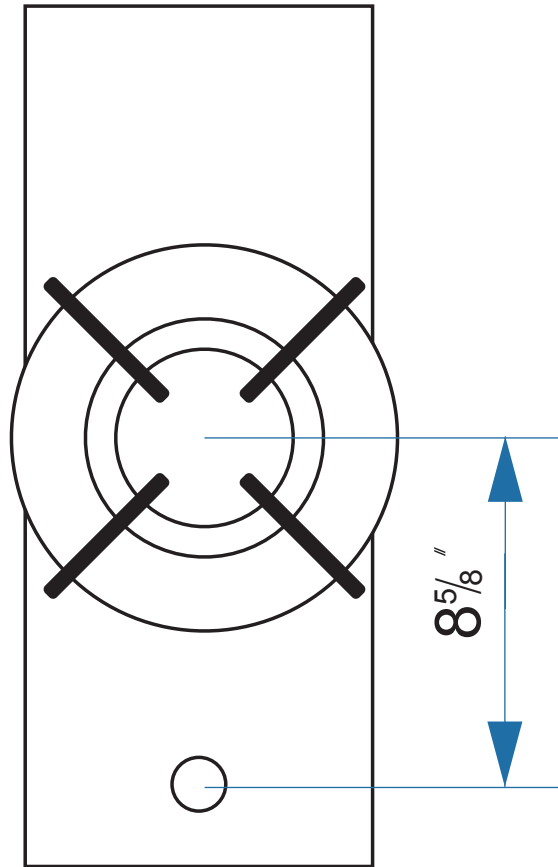


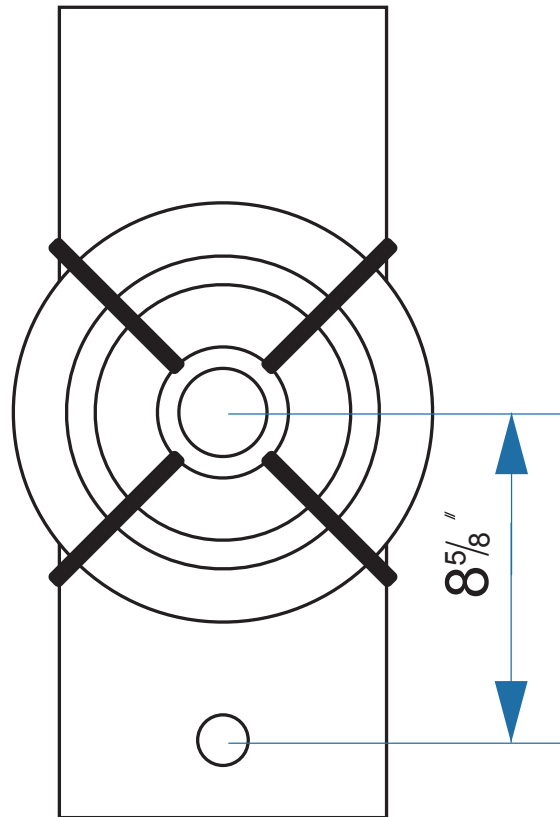
AMERICAN



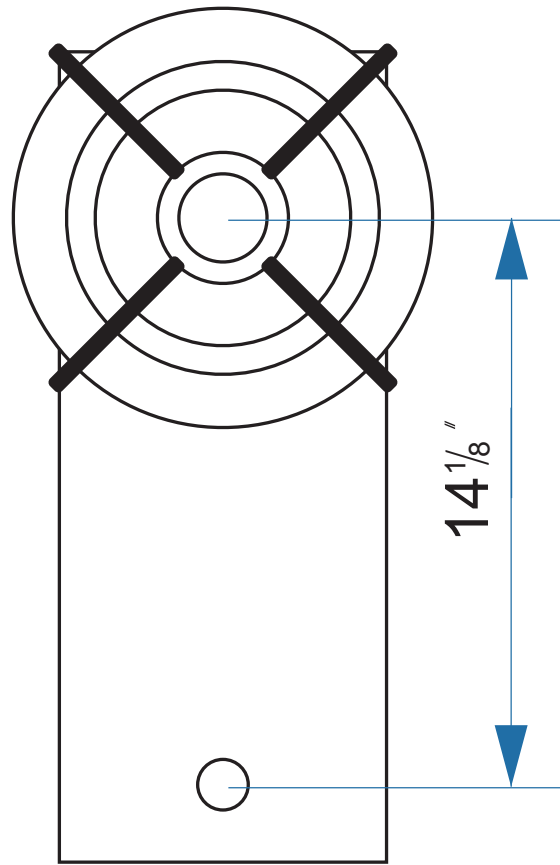
ALBANY



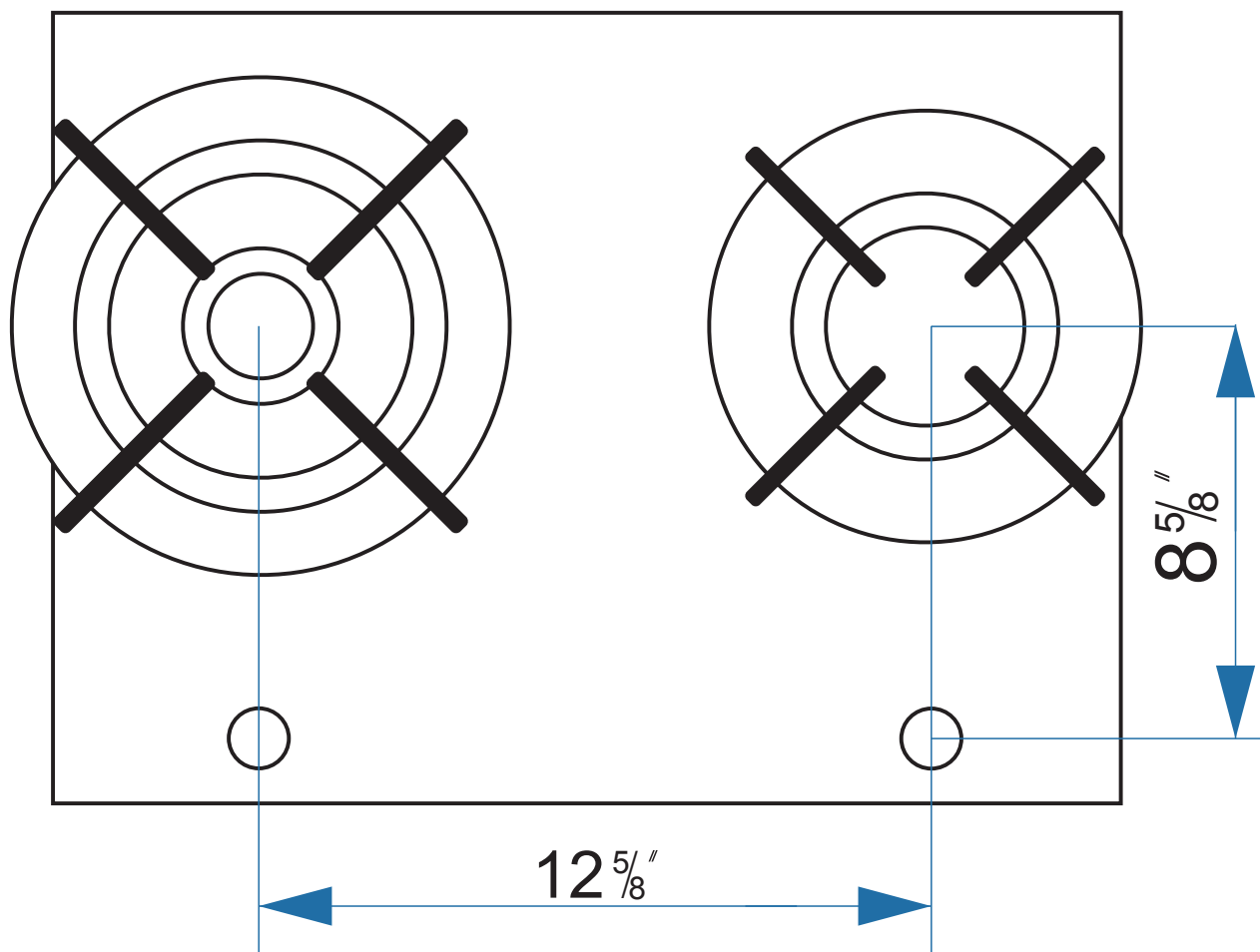
ALLEGHENY



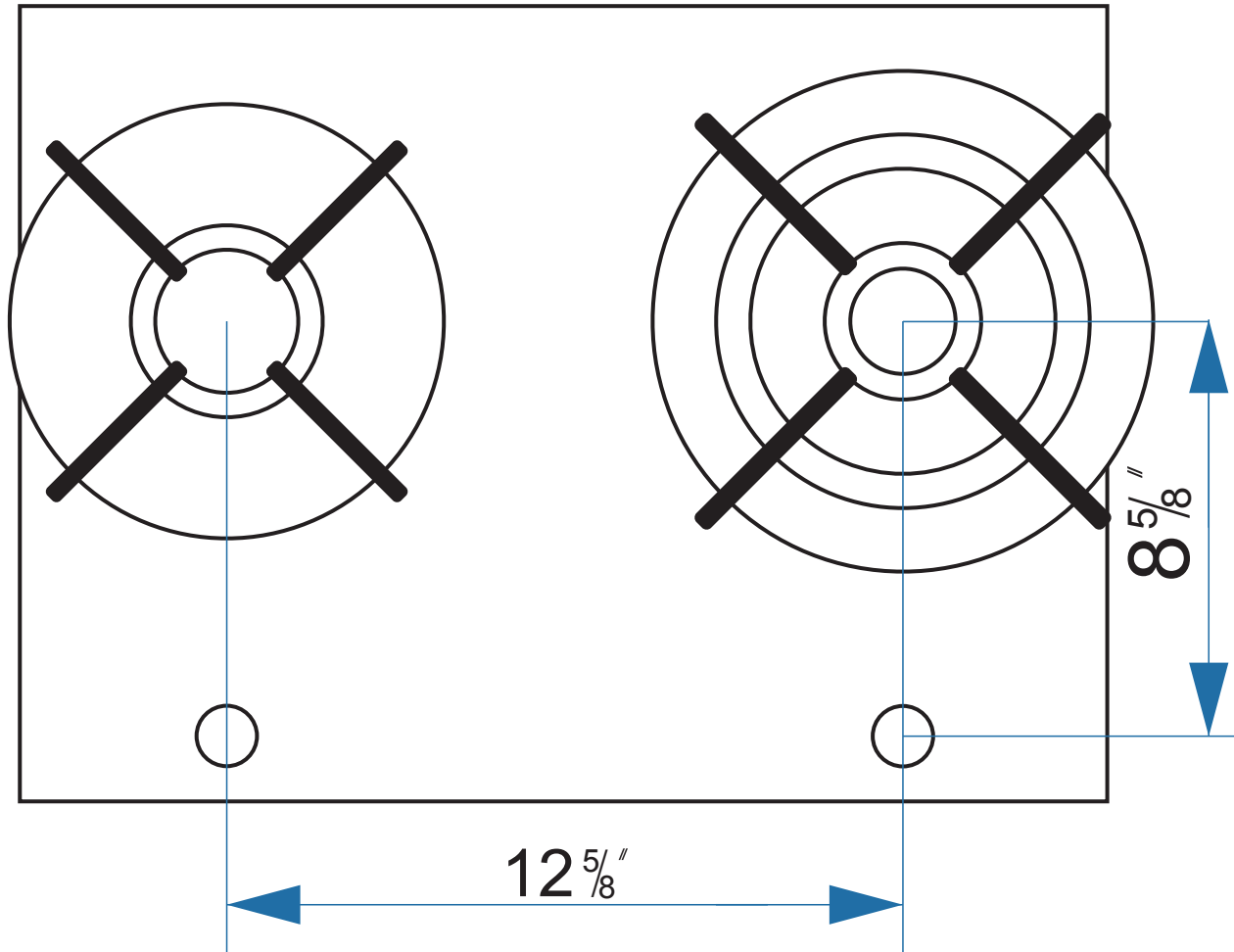
ASHLEY



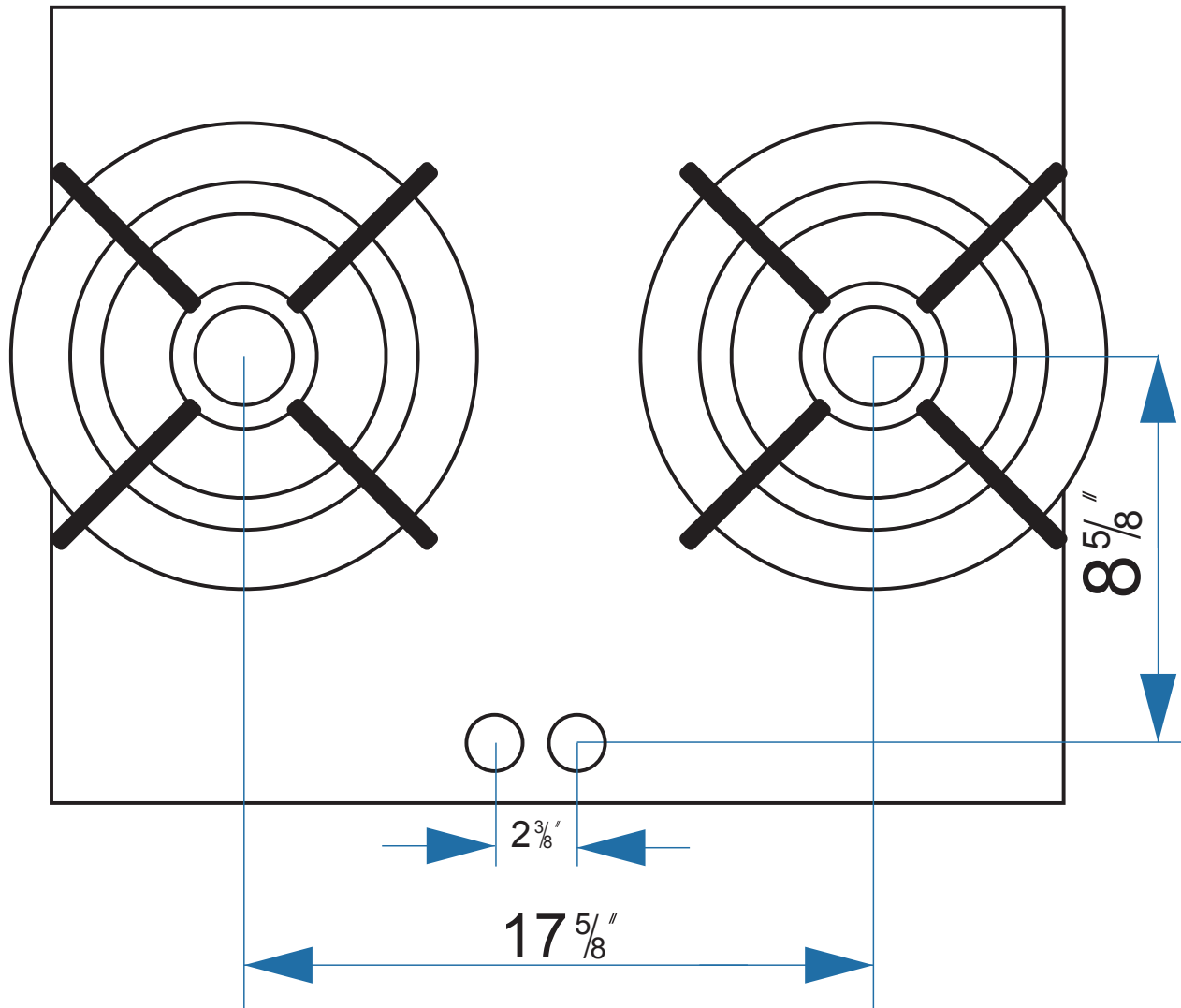
BACK



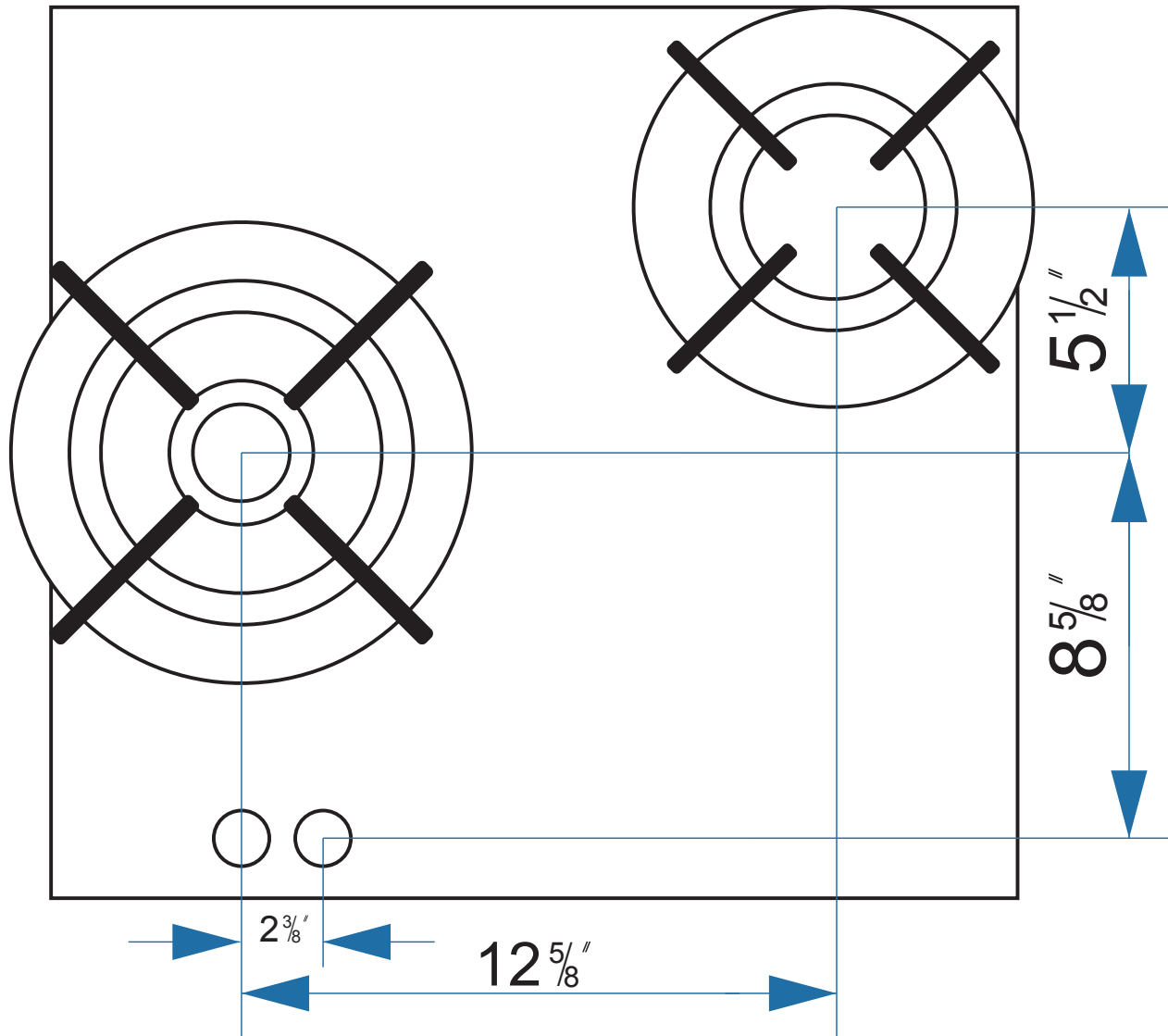
BAKER



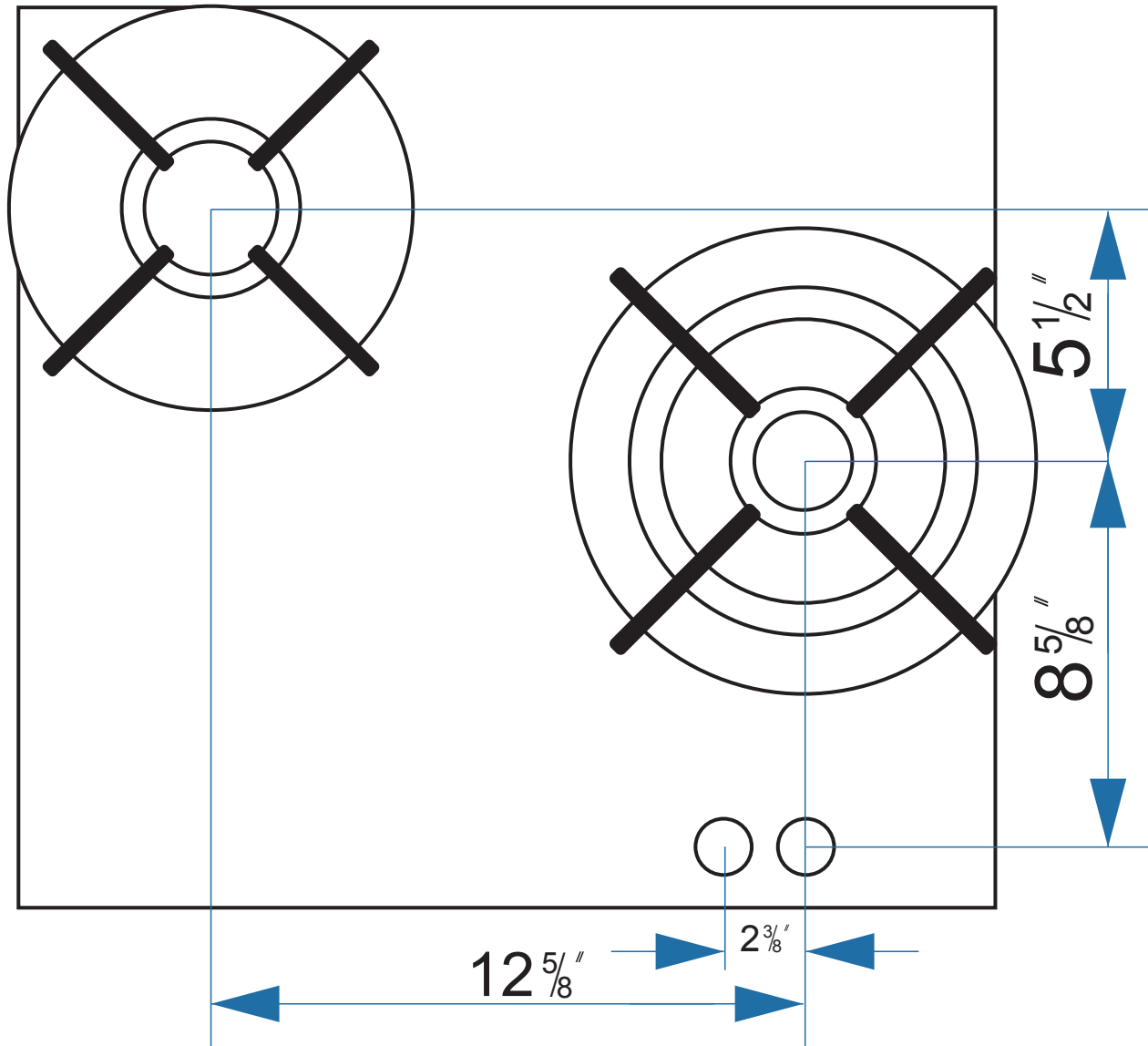
BARRINGTON



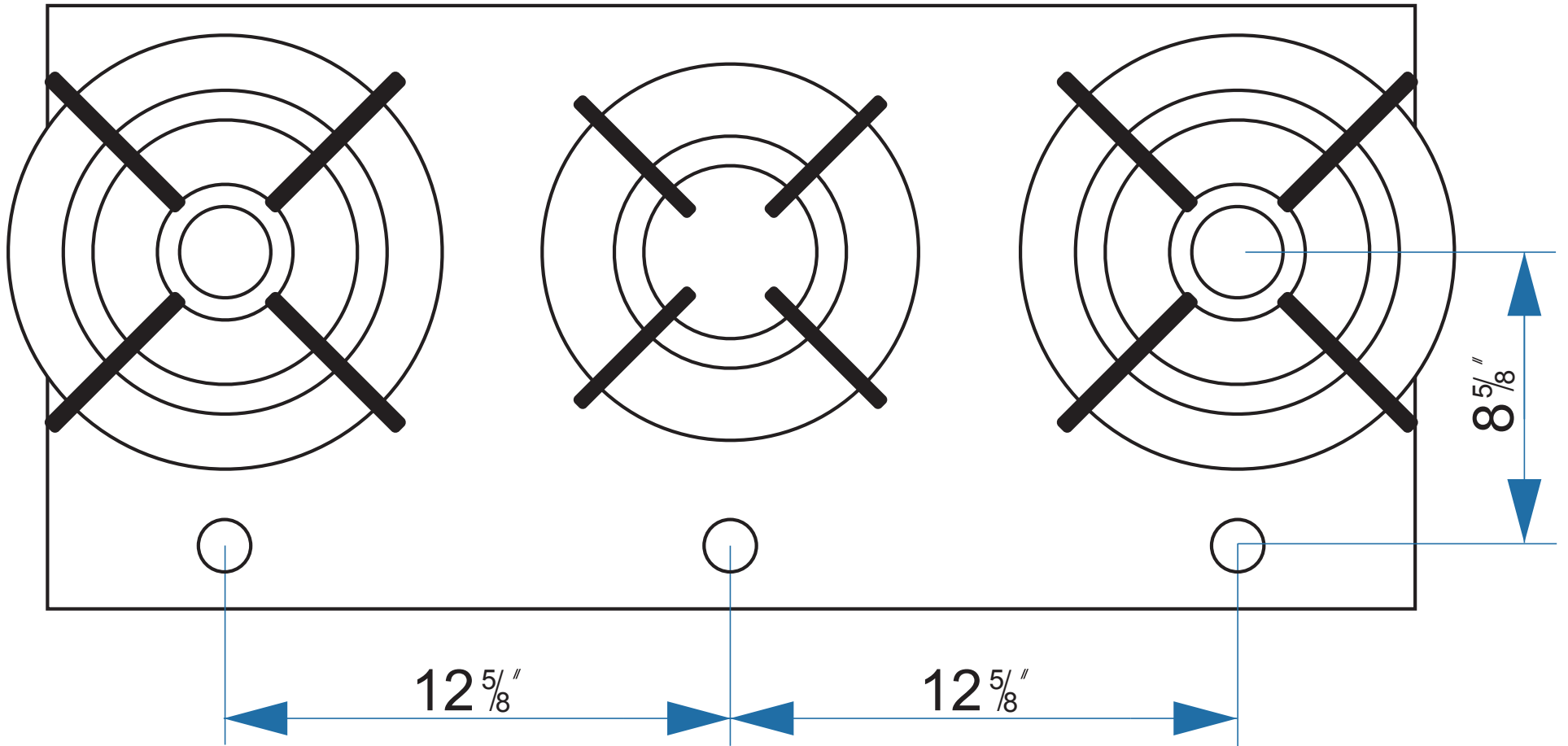
BOUNDARY WATERS



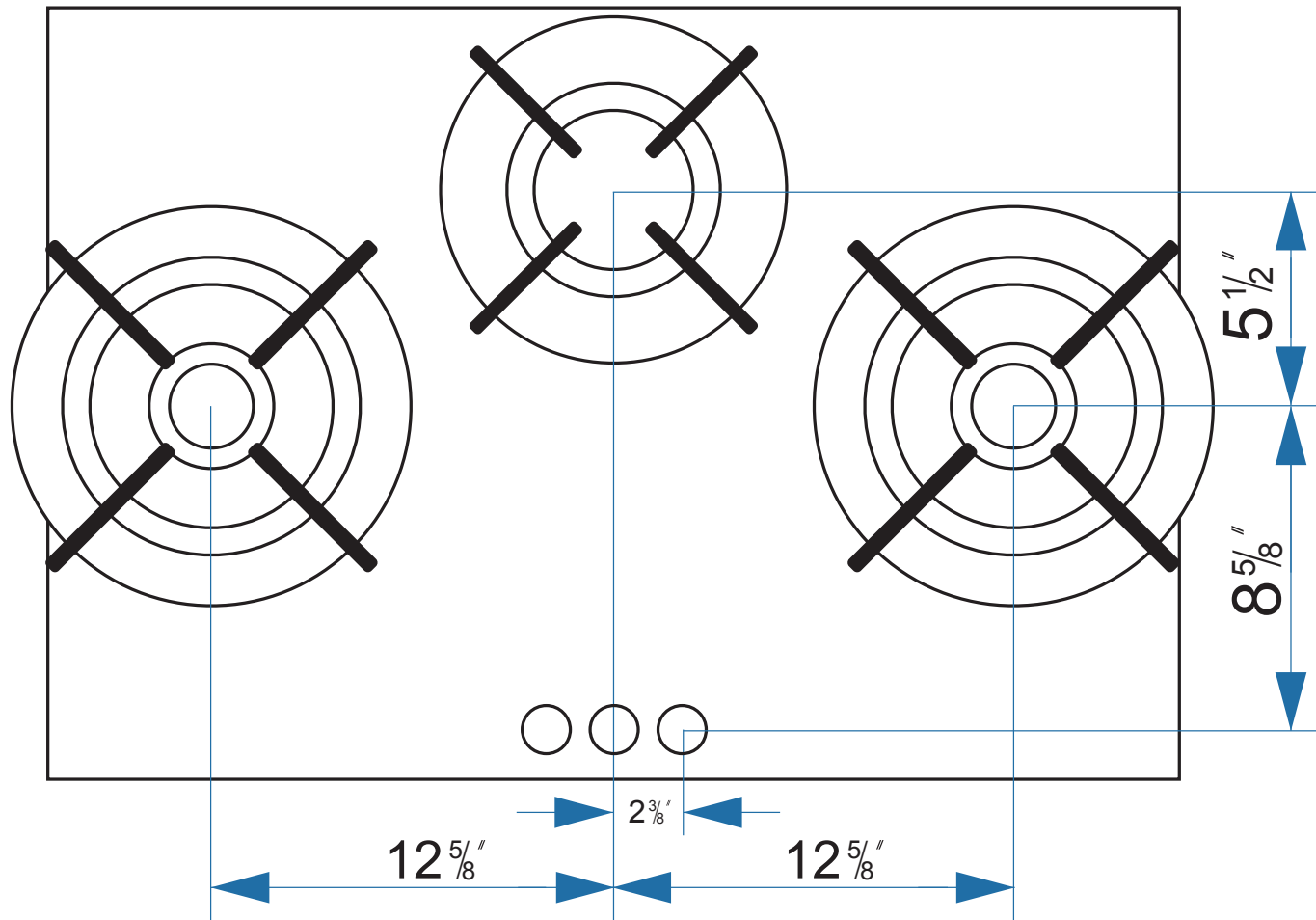
BRAZOS



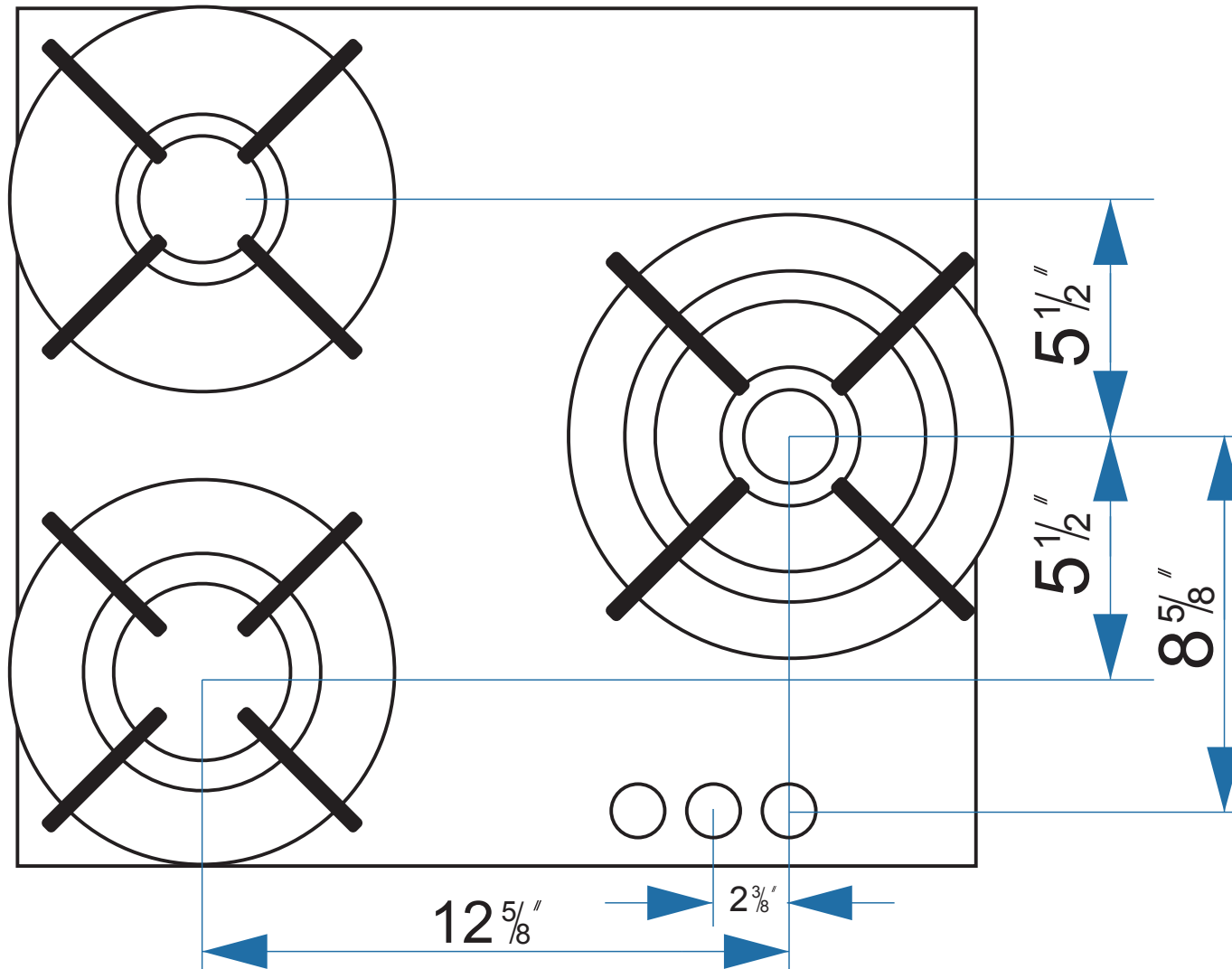
CHURCHILL



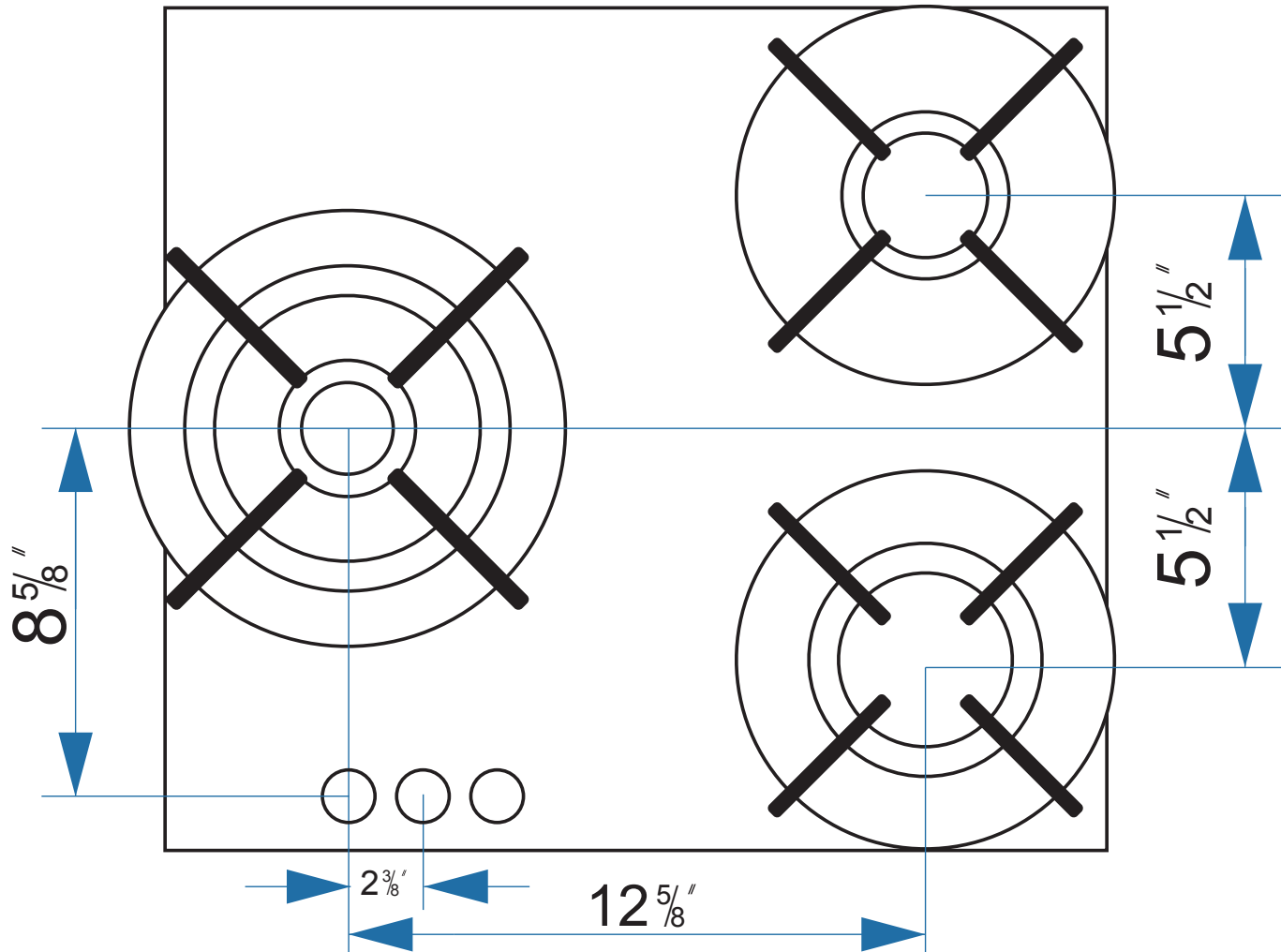
COLORADO



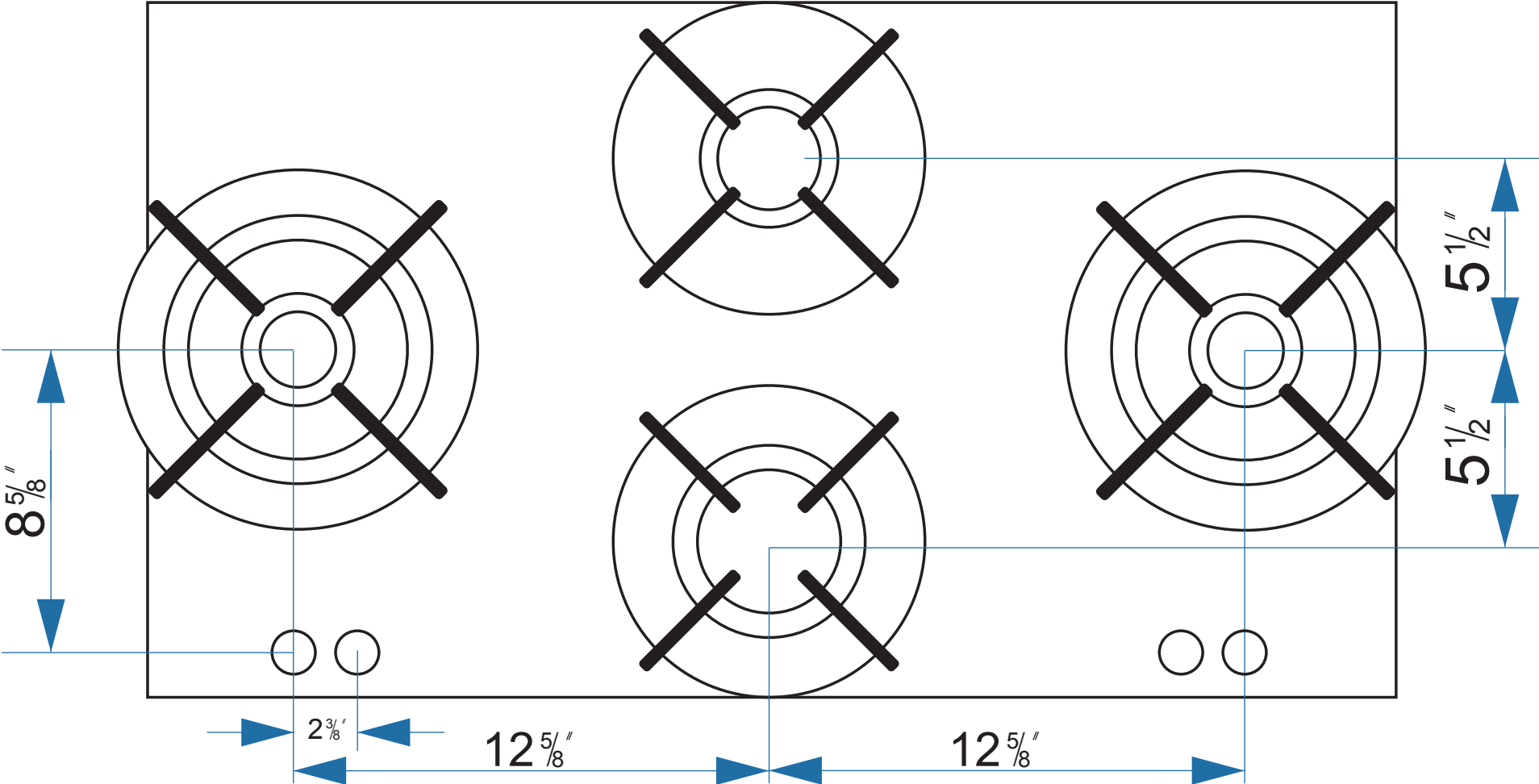
CONNECTICUT



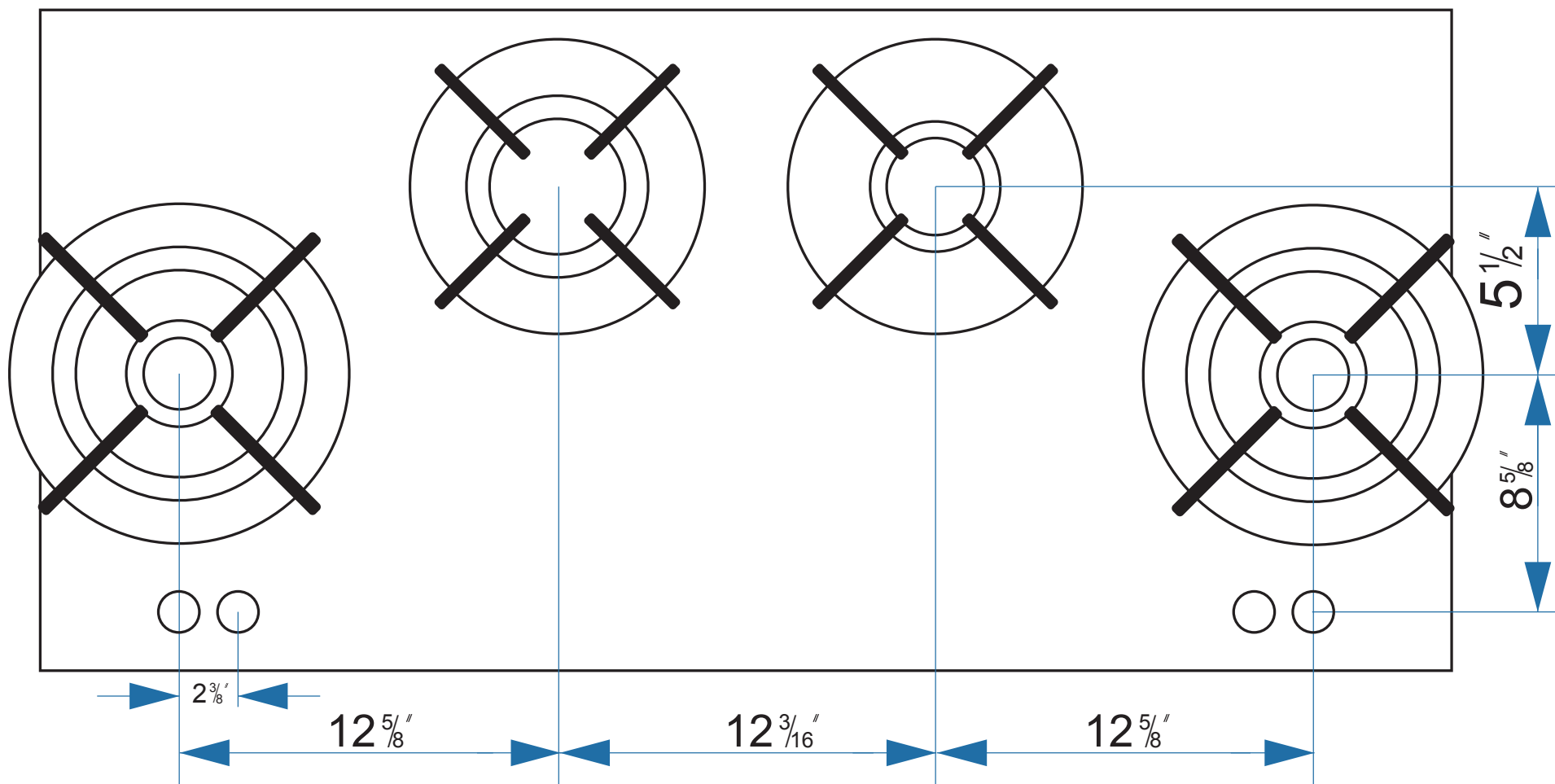
COLUMBIA



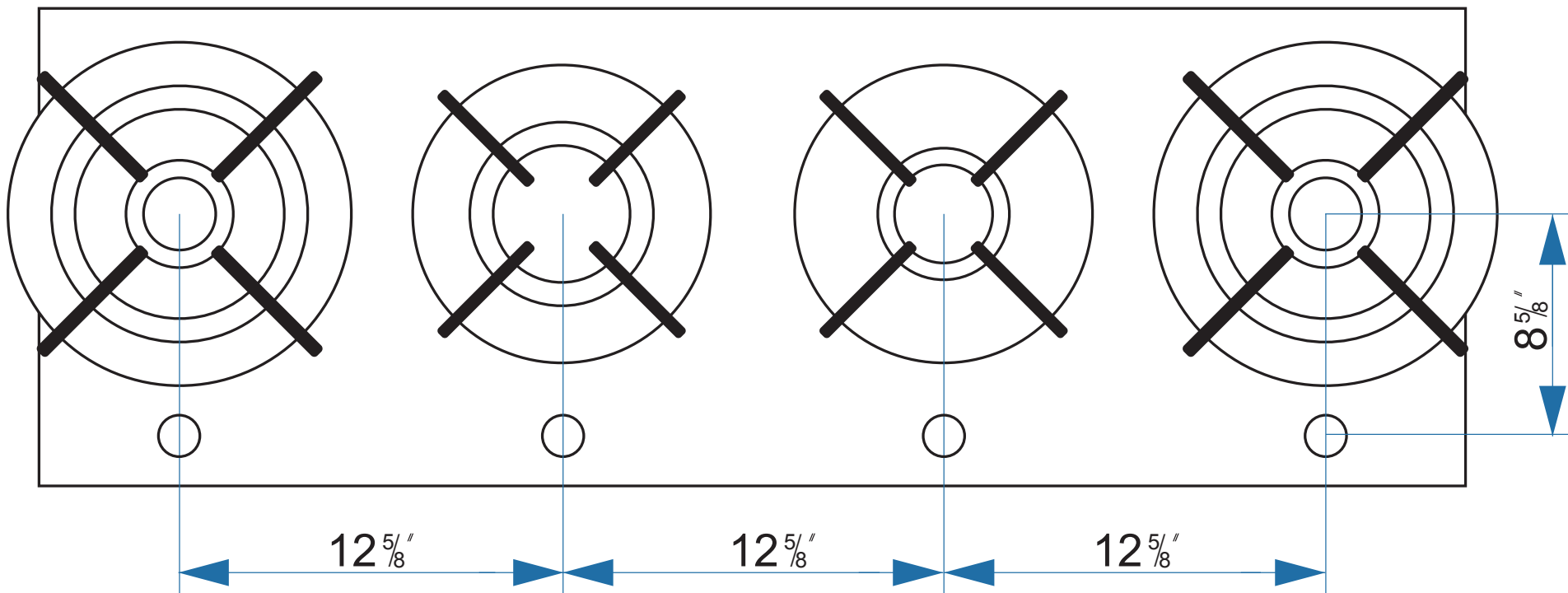
DELAWARE



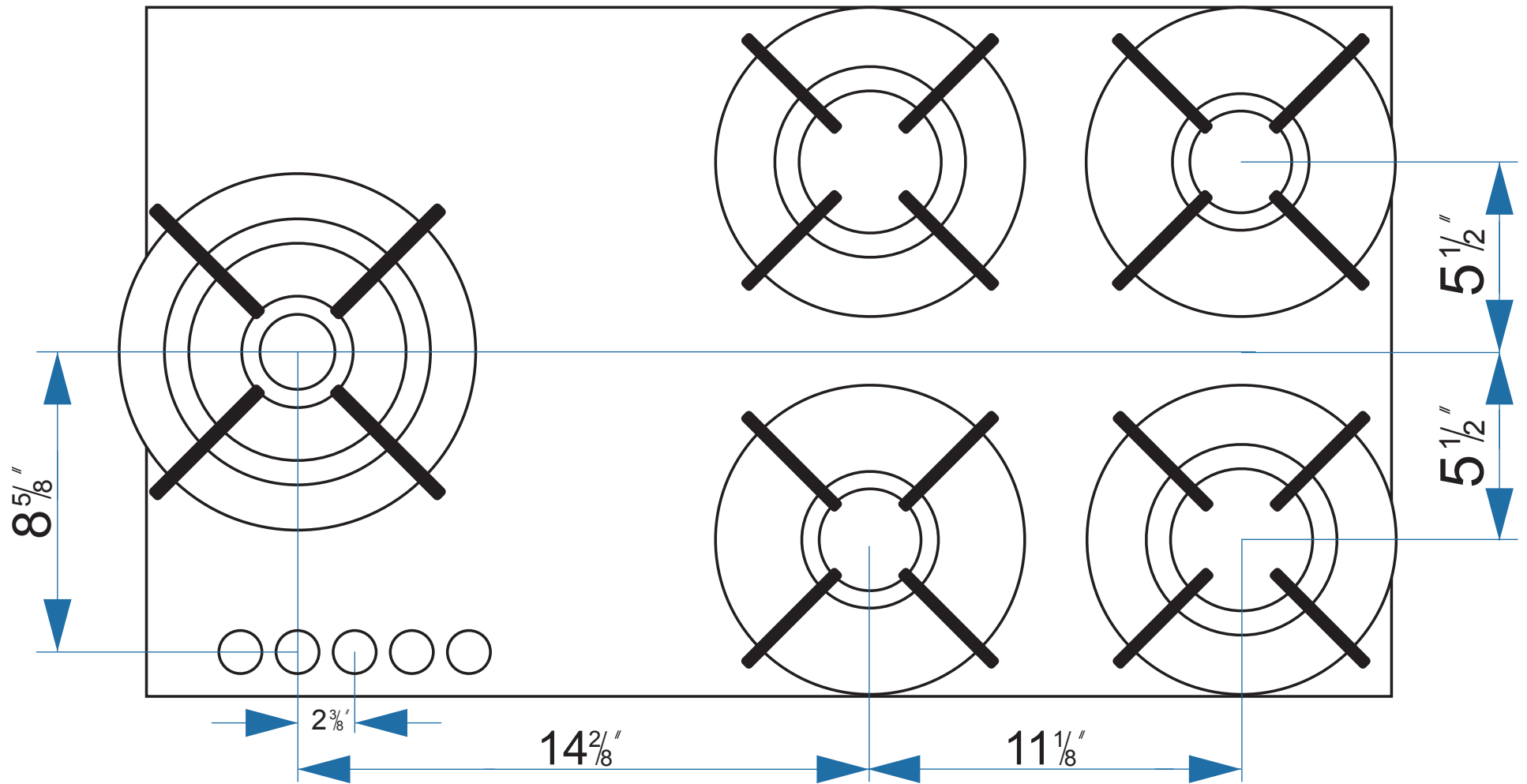
DELTA



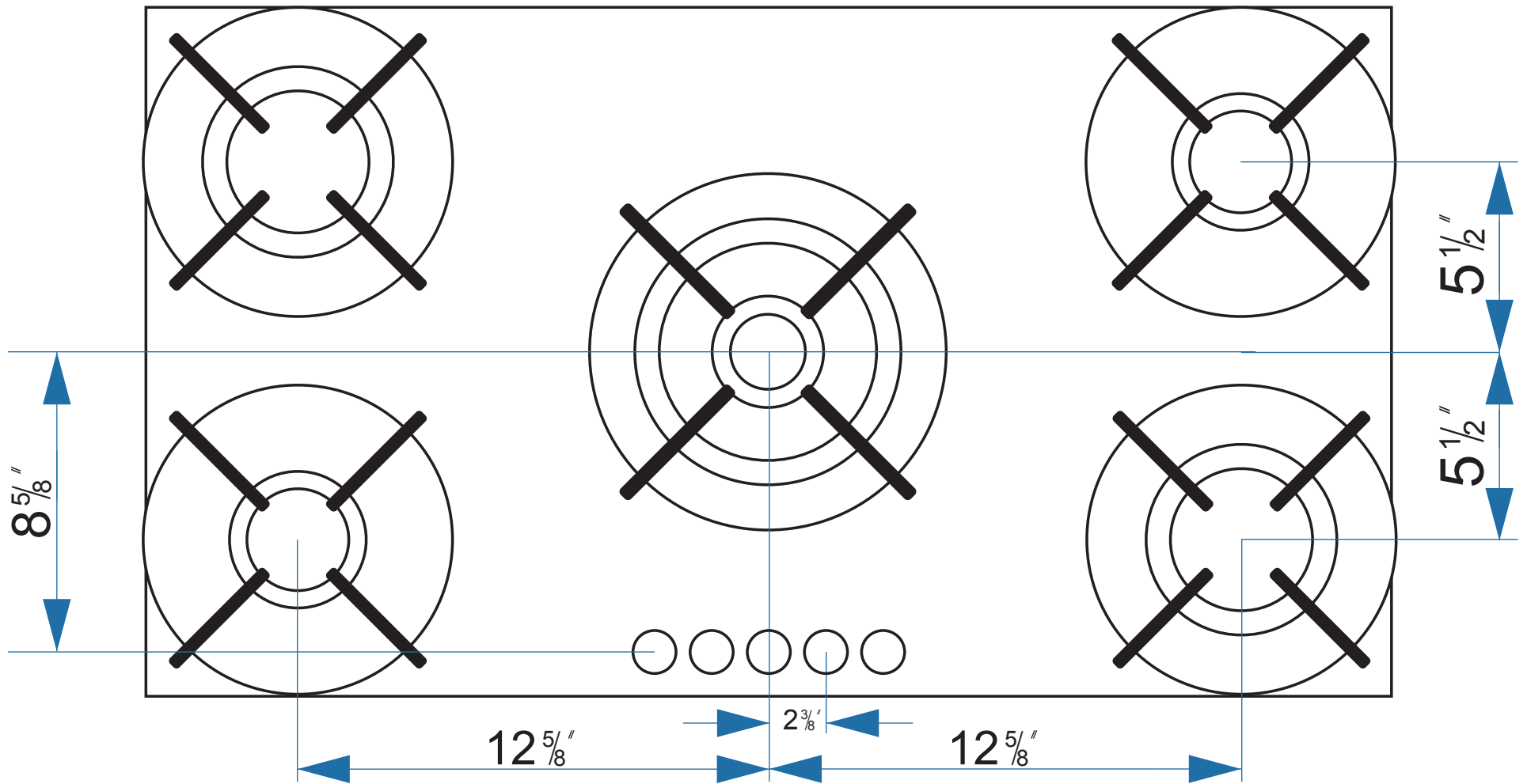
DETROIT



EASTMAIN



EDISTO



EAST

