

PERFEKT GLASS 36  
36" Decorative Range Hood

**AEG**

# PERFEKT GLASS 36

---

## 36" Decorative Range Hood



### RANGE HOOD FEATURES

- 36" (90cm) stainless steel and glass range hood
- LED lighting
- 3 speed adjustment
- 2 x dishwasher safe honey comb filters
- Electronic push buttons
- Quiet (8 sones/58dB) 500 CFM motor

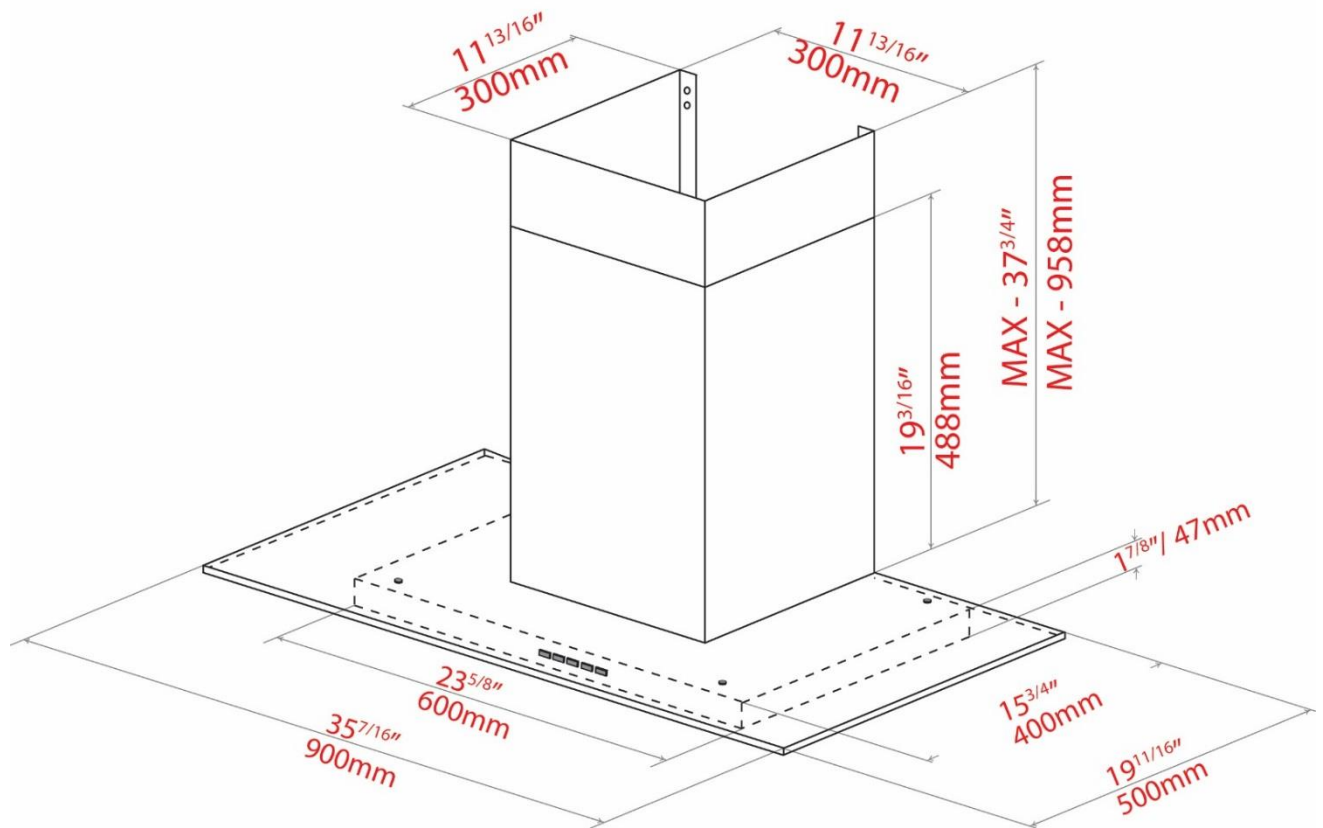
### DUCT SIZE

- 7" Duct Size
- 6" Duct Adapter Included

### ELECTRICAL REQUIREMENTS

- 115 Volt, 60Hz, 15AMP
- Flue extension available for 9' ceilings (EFGW)
- AEG Range Hoods are supplied with a Canadian cord and plug

# PERFEKT GLASS 36



## RANGE HOOD DIMENSIONS

- D: 19<sup>11/16"</sup> x W: 35<sup>7/16"</sup> x H: min. 21<sup>1/16"</sup> – max. 39<sup>9/16"</sup>
- D: 600mm x W: 900mm x H: 535mm – 1005mm

# Specifications (Minimum Safety Height Requirements)

## PERFEKT GLASS 36

1. The range hood should be mounted at a minimum distance of 600mm from and electric or induction cooktop, and a minimum of 762mm above a gas cooktop for safety and optimum performance. If the instructions for installation of the gas cooktop specify a greater distance, this has to be taken into account. The exhaust air must not be discharged into a chimney which is used for exhausting fumes from other appliances, burning gas, or other fuels.

### For the province of British Columbia

The base of the AEG range hoods are made of stainless steel and uses a stainless steel Filter. There are no plastic components on the lower side of the hood. In addition, the housing of the motor is made from metal.

These hoods are tested at 24" above gas cooktops in the production test facility. At this height, ignition is not possible. The hoods can be installed 24" above gas cooktops.

\*\*\*\*  
THESE MINIMUM SAFETY HEIGHT  
REQUIREMENTS ARE FOR AEG RANGE  
HOODS BEING INSTALLED OVER AN AEG OR  
PORTER&CHARLES COOKTOPS ONLY.  
\*\*\*\*

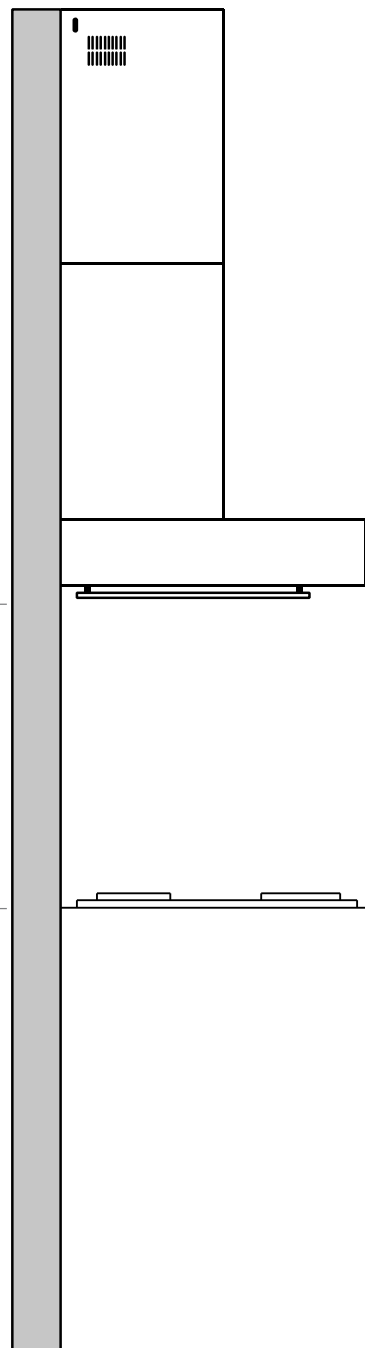
RANGE HOOD DIMENSIONS

Min: 24" / 600mm

Max: 30" / 762mm

COUNTER TOP

36" / 910mm



# AEG

AEG Appliances are designed and manufactured to the highest standards. Each appliance is covered by a comprehensive 2-year parts and labour warranty.

Refer to product warranty policy for complete terms and conditions.

## FOR PARTS AND SERVICE

Euro-Parts & Service

39822 Belgrave Road, Belgrave, ON. N0G 1E0

1 800 678 8352 (Canada) • 1 800 561 4614 (U.S.)

[www.euro-parts.ca](http://www.euro-parts.ca) • [parts@euro-parts.ca](mailto:parts@euro-parts.ca) • [service@euro-parts.ca](mailto:service@euro-parts.ca)

AEG appliances are imported and distributed in North America by Euro-Line Appliances Inc. For more information, please visit one of our showrooms or

[www.euro-line-appliances.com](http://www.euro-line-appliances.com)   [www.elawest.com](http://www.elawest.com)

## ***EURO-LINE APPLIANCES INC.***

871 Cranberry Court  
Oakville, ON L6L 6J7 Canada  
905 829 3980  
1 800 421 6332

[marketing@euro-line-appliances.com](mailto:marketing@euro-line-appliances.com)

## ***EURO-LINE APPLIANCES WEST INC.***

2912 West 4th Avenue  
Vancouver, BC V6K 1R2 Canada  
604 235 3980  
1 855 ELA WEST (352.9378)

[info@elawest.com](mailto:info@elawest.com)

