

# BERTAZZONI PROFESSIONAL SERIES

## 36" RANGETOP 6 BURNER

CB36 6 00 X

### HIGHLIGHTS

- Bertazzoni's exclusive dual control power burner in cast brass delivers high-efficiency performance from a delicate low simmer to full power (750 – 18,000 BTUs) with best-in-class heat-up time.
- The one-touch, child safety ignition system lets you light and adjust burners with one hand.
- The thermocouple safety system automatically stops the gas flow if the flame goes out, even when electrical power is cut.

### FEATURES

<b>Brass burners</b>	6
<b>Dual wok (1x)</b>	750-18000 Btu/h
<b>Rapid (1x)</b>	11000 Btu/h
<b>Semi-rapid (3x)</b>	6500 Btu/h
<b>Auxiliary (1x)</b>	3400 Btu/h
<b>Simmer rate</b>	750 Btu/h
<b>Maintop</b>	stainless steel
<b>Worktop controls</b>	knobs
<b>Knobs</b>	solid metal
<b>Grates</b>	cast iron
<b>Backguard</b>	yes
<b>One hand ignition</b>	yes
<b>Wok adapter</b>	yes
<b>Simmer ring</b>	yes

### TECHNICAL SPECIFICATIONS

<b>Electrical Requirements</b>	120 V 60 Hz
<b>Max Amp usage, power rating</b>	0,1 A - 10 W
<b>Certification</b>	CSA
<b>Warranty</b>	2 years parts and labor

### ACCESSORIES

<b>Simmer ring (standard)</b>	code 408077
<b>Stainless steel griddle (optional)</b>	code SG36X
<b>Wok ring (standard)</b>	code 408117

A LP conversion kit for all burners is included



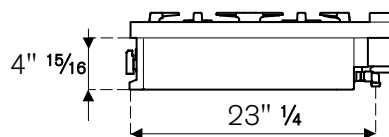
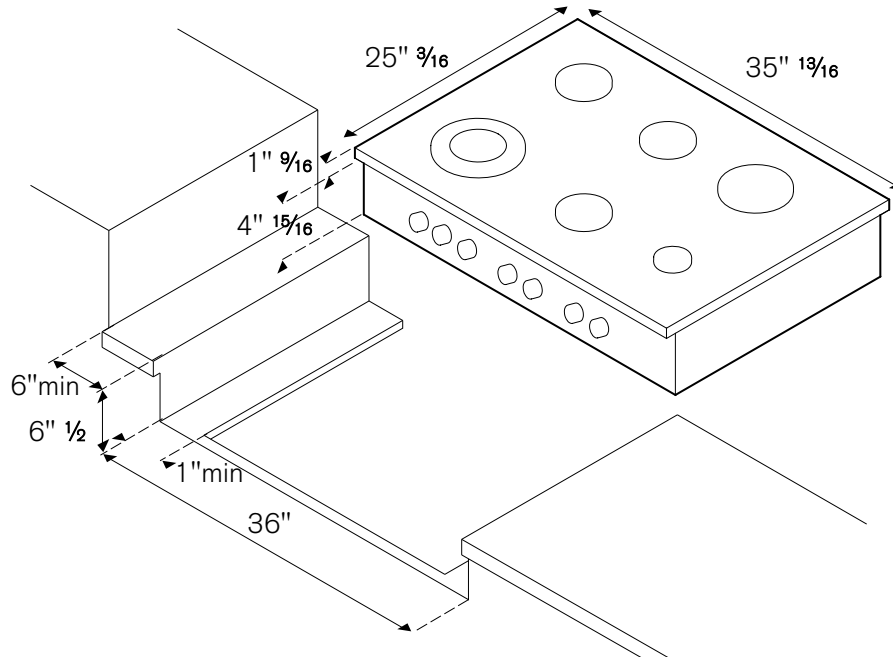
TO COOK BEAUTIFULLY  
WWW.BERTAZZONI.COM

---

# INSTALLATION INSTRUCTIONS

## CB36 6 00 X

---



---

Bertazzoni recommends to operate the appliance after it has been installed in a cabinet.

The kitchen cabinets shall be made of materials capable of withstanding temperatures at least  $117^{\circ}\text{F}$  ( $65^{\circ}\text{C}$ ) above room temperature in order to avoid possible damage to the cabinets during appliance usage.

---

**Disclaimer:** while every effort has been made to insure the accuracy of the information contained in this brochure, Fratelli Bertazzoni reserves the right to change any part of the information at any time without notice.

Fratelli Bertazzoni, Bertazzoni and the winged wheel brand icon are registered trademarks of Bertazzoni Spa.