

# 21" REFRIGERATOR

Model No. CBIR



## Features:

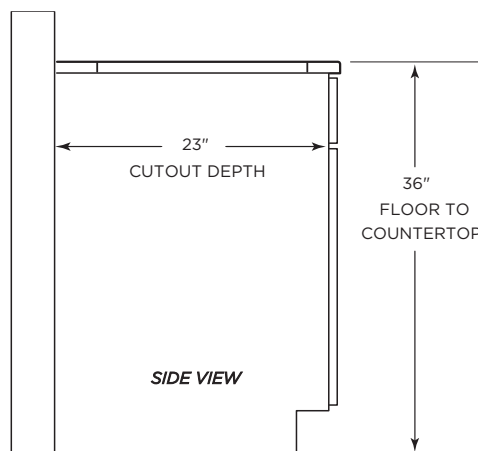
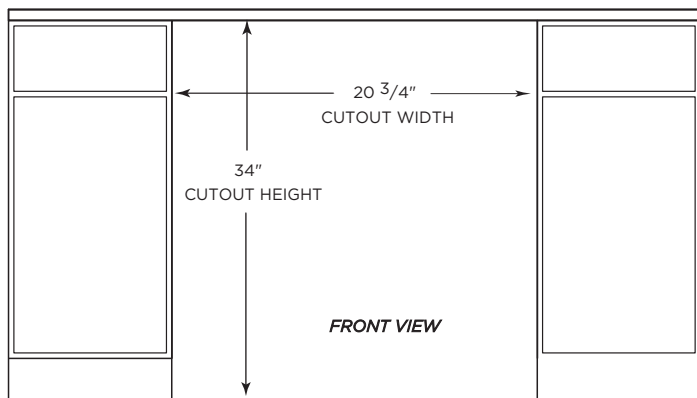
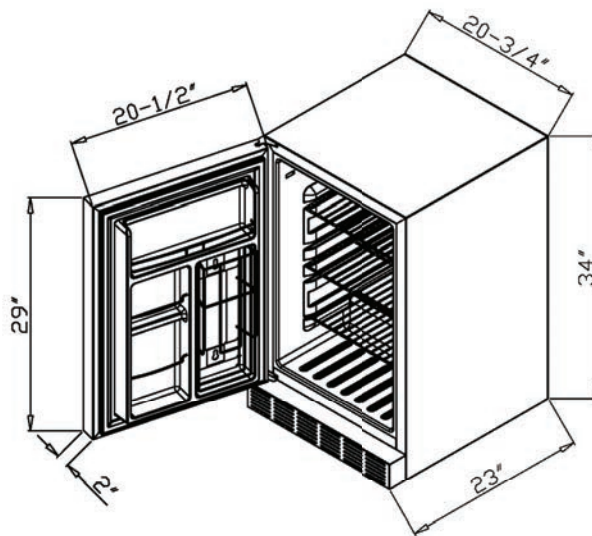
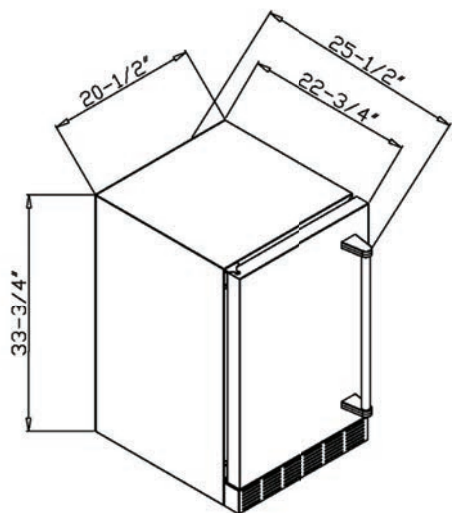
- Outdoor rated
- Freestanding refrigerator with automatic defrost
- Stainless steel exterior
- Interior light and adjustable thermostat
- Front vented for built-in application
- Left or right swing hinge
- Three shelf racks and one can dispenser
- Condiment trays in door
- Right or Left hinge swing available at point of purchase
- Adjustable feet and shelves

## Dimensions:

- Overall: (H) 33 3/4" X (W) 20 1/2" X (D) 22 3/4"
- Cutout: (H) 34" X (W) 20 3/4" X (D) 23"

# CBIR PRODUCT SPECS

## DIMENSIONAL RENDERINGS



Overall Product Dimensions			
Model No.	Height	Width	Depth
CBIR-L/R	33 3/4"	20 1/2"	22 3/4"

Cutout Dimensions for Island			
Model No.	Height	Width	Depth
CBIR-L/R	34"	20 3/4"	23"

Model No.	Rated Voltage	Amps	Hz	Refrigerant	Power Input	High Side Pressure	Low Side Pressure
CBIR-L/R	115V AC	2	60	R134a	100 W	218 PSI	130 PSI

### Electrical & Installation Requirements:

- ✓ This refrigerator must be installed in accordance with National Electric Codes, as well as state, municipal and local codes
- ✓ The correct voltage, frequency and amperage must be supplied to the refrigerator from a grounded circuit which is protected by a properly sized circuit breaker or time delay fuse.
- ✓ The proper voltage, frequency and amperage ratings are listed on the product rating plate.
- ✓ The refrigerator must be properly grounded at all times when electrical power is applied
- ✓ Use the legs of the unit to properly level it in your cabinet.
- ✓ Never allow any debris to build up underneath, or in front of the unit, blocking ventilation.

**Important Note to Installer:** This file is not intended to replace your Owners' Manual which contains specific safety requirements and consumer guidelines. Please refer to your Owners' Manual prior to installing or operating your refrigerator.