

## Dryer

CFRE4120SW

10 Dry Cycles  
6.7 Cu.Ft. Electric



### Product Dimensions

Height	44-1/4"
Width	27"
Depth	30-13/16"

### More Easy To Use Features

#### 5 Dryness Levels

Includes: Air Dry, Ultra Low, Low, Medium, and High.

#### Anti-Wrinkle

Anti-Wrinkle Option helps reduce wrinkles.

#### Electronic Controls

Easy-to-use electronic controls with digital readout and cycle status lights.

#### Reversible Door

Offers versatile installation options.

#### Available in:



Classic  
White  
(W)

## Signature Features

### Large Capacity

Fit more in every load.

### Quick Dry Cycle

Dries clothes fast.

### 10 Dry Cycles

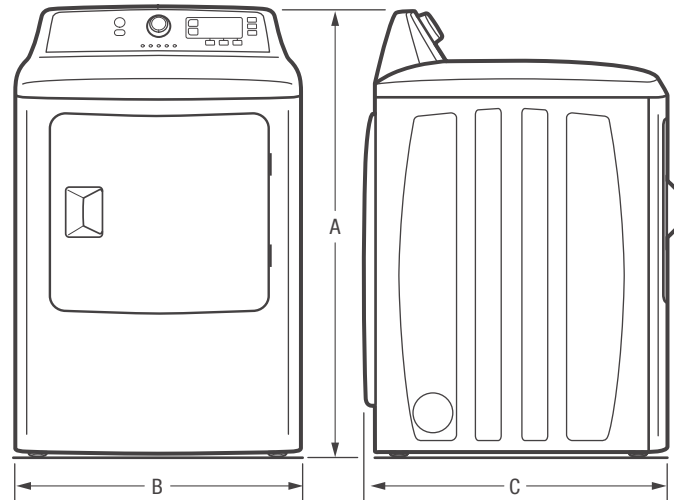
Features 10 dry cycles to meet all of your drying needs such as Bulky, Casual and Sanitize.

### Multiple Cycle Options

Personalize your drying with options such as My Cycle and Eco Dry.

Features	
Total Capacity (Cu.Ft.)	6.7
Controls	Digital
Dryer Drum Interior	Stainless Steel
Interior Light	
Framed Glass Window Door	
DrySense™ Technology	Yes
Wrinkle Release Technology	Yes
TimeWise® Technology	
Moisture Sensor	Yes
Estimated Time Remaining	Yes
Cycle Status Lights	Yes
Cycle Signal	Chime
Cycle Signal "On/Off"	Yes
Control Lock	
Start / Pause / Cancel Knobs	Yes
Delay Start	Yes
Tumble Speed (RPM)	50
Reversible Door	Yes
Lint Screen	Yes
Sound Package	
Adjustable Leveling Legs	4
Cycles	
Dry Cycles	10
Specialty Cycles	0
Options	
Temperature Selections	4
Dryness Level Selections	5
Timed Dry	Yes
Energy Saver Option	
Optional Accessories	
Drying Rack	PN# 137067300
Specifications	
Maximum Exhaust Duct Length <sup>1</sup> (Ft.)	64
Power Supply Connection Location	Rear
Voltage Rating	120V / 240V / 60Hz
Connected Load (kW Rating) @ 240 Volts	5.4
Amps @ 240 Volts	24
Heating Element @ 240 Volts (Watts)	4,800
Shipping Weight (Approx.)	143 Lbs.

<sup>1</sup>Rigid metal duct preferred, semi-rigid optional and allow deductions for elbows and vents. Refer to Installation Guide on web for additional information.



NOTE: For planning purposes only. Always consult local and national electric codes. Refer to Product Installation Guide for detailed installation instructions on the web at [frigidaire.ca](http://frigidaire.ca).



Product Dimensions	
A - Height	44-1/4"
B - Width	27"
C - Depth	30-13/16"
Depth with Door Open 90°	48-5/8"

Accessories information available on the web at [frigidaire.ca](http://frigidaire.ca)