

---

# BERTAZZONI PROFESSIONAL SERIES

## 24" CERAMIC COOKTOP

P24 4 CER NE

---

### HIGHLIGHTS

- Adjust the power level on each heating zone, using the Bertazzoni signature knobs.
- The elegantly silk screened Bertazzoni logo stands for durability and quality.
- The one-touch, child safety ignition system lets you light and adjust burners with one hand.

---

### FEATURES

<b>Radiant heating zones</b>	4
<b>Back right</b>	Ø 6" - 1200 W
<b>Front right</b>	Ø 7" - 1800 W
<b>Back left</b>	Ø 7" - 1800 W
<b>Front left</b>	Ø 6" - 1200 W
<b>Maintop</b>	ceramic glass and metal trim
<b>Worktop control</b>	knobs
<b>Knobs</b>	soft touch

---

### TECHNICAL SPECIFICATIONS

<b>Electrical Requirements</b>	120/208 V - 120/240 V, 60Hz
<b>Max Amp Usage</b>	24 A - 25 A, 4500 W - 6000 W
<b>Certification</b>	CSA-UL
<b>Warranty</b>	2 years parts and labor



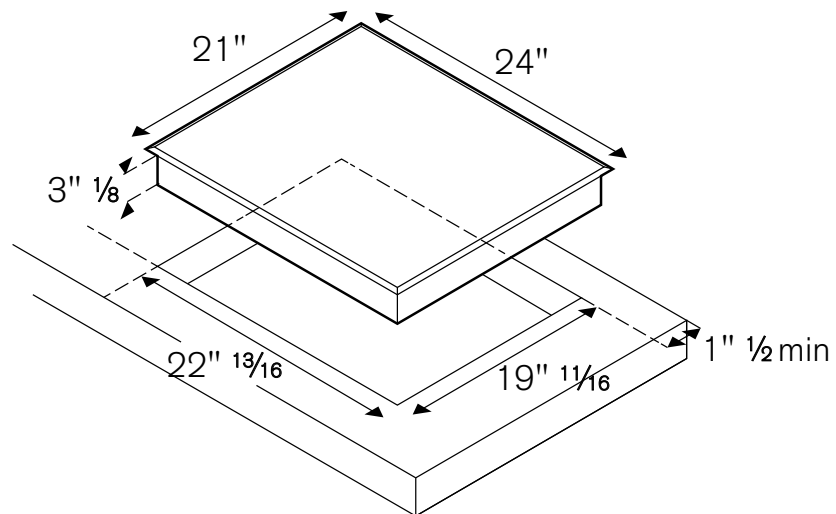
TO COOK BEAUTIFULLY  
WWW.BERTAZZONI.COM

---

# INSTALLATION INSTRUCTIONS

## P24 4 CER NE

---



---

Bertazzoni recommends to operate the appliance after it has been installed in a cabinet. The kitchen cabinets shall be made of materials capable of withstanding temperatures at least 117°F (65°C) above room temperature in order to avoid possible damage to the cabinets during appliance usage. For further installation instructions refer to the installation manual.

---

**Disclaimer:** while every effort has been made to insure the accuracy of the information contained in this brochure, Fratelli Bertazzoni reserves the right to change any part of the information at any time without notice.

Fratelli Bertazzoni, Bertazzoni and the winged wheel brand icon are registered trademarks of Bertazzoni Spa.