

STANDARD MAINTENANCE AND TROUBLESHOOTING

Replacing the Cartridge

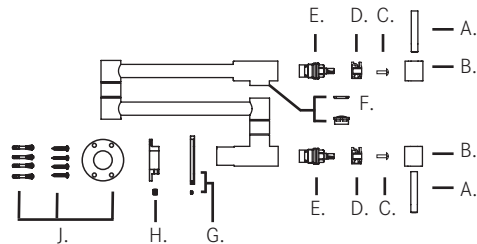
1. Shut off the water supply to the faucet
2. Turn on the faucet briefly to relieve any pressure inside the faucet
3. Move the faucet handle to the "OFF" position
4. Unscrew the handle tip A from the handle base B
5. Remove handle base B from faucet body
6. Remove cartridge connector screw C from cartridge connector D
7. Remove cartridge connector D from cartridge E
8. Unscrew cartridge E from body and replace with new cartridge
9. Re-assemble faucet in reverse order
10. Test for leakage

General Maintenance

- Clean aerator periodically for any buildup
- Do not use harsh detergents, solvents, chemical agents, especially any containing CHLORINE, or metallic sponges as these can damage the surface finish
- Clean only with soft sponge and soapy water

Spare/Replacement List

- A.+B. F3424 Handle Assembly
C. (For illustration purposes only) Cartridge Connector Screw
D. (For illustration purposes only) Cartridge Connector
E. F3425 Cartridge
F. F3411 Aerator and O-ring
G. F3426 Escutcheon and Set Screw
H. F3427 Mounting Flange Set Screw
J. F3428 Fastening Set



WARRANTY

Congratulations on the purchase of this Franke product! Franke is one of the world's largest manufacturers of kitchen systems. Our products are manufactured using the highest degree of technology, quality and design. As a result, we are proud to offer the following warranty:

Franke Kitchen Systems, LLC (Franke), warrants the quality of its water dispensing systems to be free from manufacturing defects for a period of five years from the date of purchase. This warranty applies only to the original owner, providing the product has been installed in accordance with these installation instructions, used as recommended and in a normal residential application. **In the event of a warranty claim, the owner will be required to provide proof of purchase - SAVE ORIGINAL SALES RECEIPT!** This warranty covers all components necessary to restore the product to good working condition. Franke reserves the right to inspect the installation prior to the replacement of the product or component part.

Marine and Outdoor Installation: Franke faucets are **NOT** warranted for Marine and Outdoor installations.

This warranty does not cover misuse or abuse, accidental damage, scuffs or scratches, abnormal usage, negligence or damage caused by improper maintenance or cleaning. Normal wear of parts is excluded from warranty. Damage caused by impurities or acts beyond Franke's control are not covered. Any product or part which has been repaired or altered in any manner outside of Franke's factory, unless previously authorized in writing by Franke, will void warranty. **Any replacement excludes transportation and any labor re-installation costs.** This warranty does not allow recovery of incidental or consequential damages such as loss of use, delay, property damage or other consequential damage, and Franke accepts no liability for such damages.

The Franke warranty is limited to the above condition and to the warranty period specified herein and is exclusive. Franke **DISCLAIMS** all other warranties, expressed or implied, including **IMPLIED WARRANTIES OF MERCHANTABILITY AND/OR FITNESS FOR A PARTICULAR PURPOSE.** This warranty gives you specific legal rights that may vary from state to state.

FURTHER INFORMATION

For any further information about our products, about the installation of them, or about the guarantee, please contact the customer service department at:

Franke Kitchen Systems, LLC
Kitchen Systems Division
800 Aviation Parkway
Smyrna, TN 37167
Phone: 1-800-626-5771
Fax: 1-888-685-0007
www.franke.us/ks.com

INSTALLATION MANUAL

STEEL

PF3450 Pot Filler Faucet



MAKE IT WONDERFUL

FRANKE

TECHNICAL DATA

- Flow rate - 2.2 gpm at 60 psi
- Recommended water pressure - 30-85 psi
- Max water pressure - 115 psi
- Max water temperature - 158 F
- Hole size for faucet - 1 3/8"

Note

Contact us immediately if you see inconsistencies:

- Phone - 1-800-626-5771
- Email - ks-customerservice.us@franke.com
- Website - www.franke.us/ks.com

Contents in Box



- Faucet assembly
- Allen wrench
- O-rings
- Rubber washers
- Escutcheon
- Mounting flange and fastening set

Tools Needed

phillips screwdriver, level, thread sealant, drill

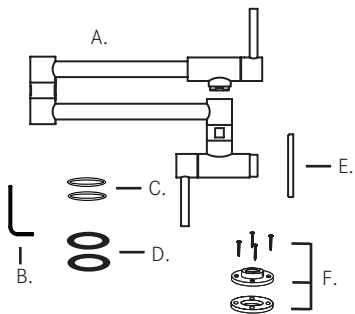


Figure 1

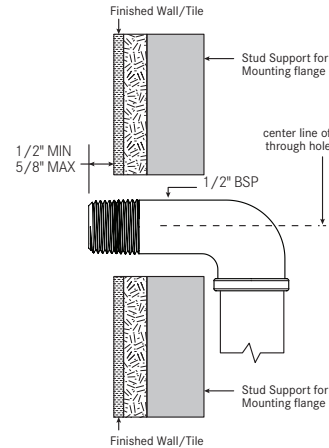


Figure 2

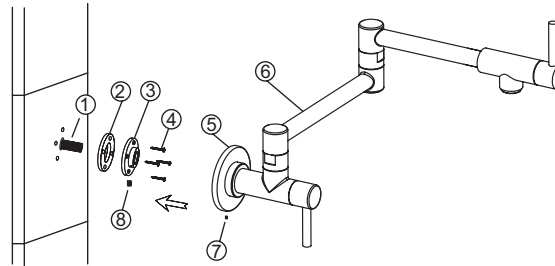
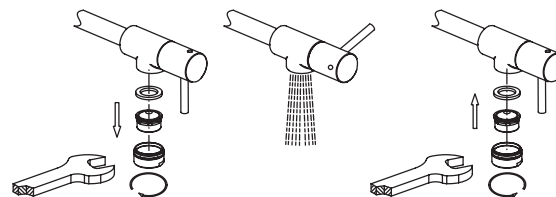


Figure 3



INSTALLATION INSTRUCTIONS

1. Remove all contents from the package and check for completeness.
2. Turn off water supply.
3. Remove faucet and hardware from its protective packaging - faucet comes assembled. Remove fixing hardware.
4. Provide 1/2" G (BSP) male nipple for pot filler water supply at the desired location. **NOTE: The faucet is intended for use with cold water only!**
5. It is recommended to install studs around the water supply nipple to support the mounting flange of the faucet. The water supply nipple should protrude between 13mm (1/2") and 16mm (5/8") from the finished wall surface. See Figure 1.
6. Refer to Figure 2 for steps 6 - 11. Separate escutcheon (5) from mounting flange (3) by removing the escutcheon set screw (7). Slide mounting flange (3) onto body of faucet (6) and secure it to the faucet body with the mounting flange set screw (8) aligned with the keyway in the body of the faucet (6).
7. Thread faucet (6) onto water supply nipple (1) until connection is tight and faucet is level, keyway should be pointing down.
8. Slide mounting flange (3) against finished wall surface and mark flange holes.
9. Remove faucet (6) and mounting flange (3). Drill pilot holes and install mounting screws (4) into the wall using reference marks made in Step 8. If it is not possible to provide support studs for flange (Step 5), the anchors included with the mounting screws can be used.
10. Apply thread sealant to water supply nipple (1) and install mounting flange gasket (2) and mounting flange (3) (set screw hole down) and slide escutcheon (5) over faucet body (6).
11. Thread faucet (6) onto water supply nipple (1) until water tight connection is achieved and faucet is level. Secure mounting flange set screw (8) to the mounting flange (3) and secure escutcheon (5) onto mounting flange (3) with escutcheon set screw (7).
12. Remove aerator using a 22mm wrench, turn on water and flush the faucet for any debris. Check for leaks and reinstall aerator. See Figure 3.