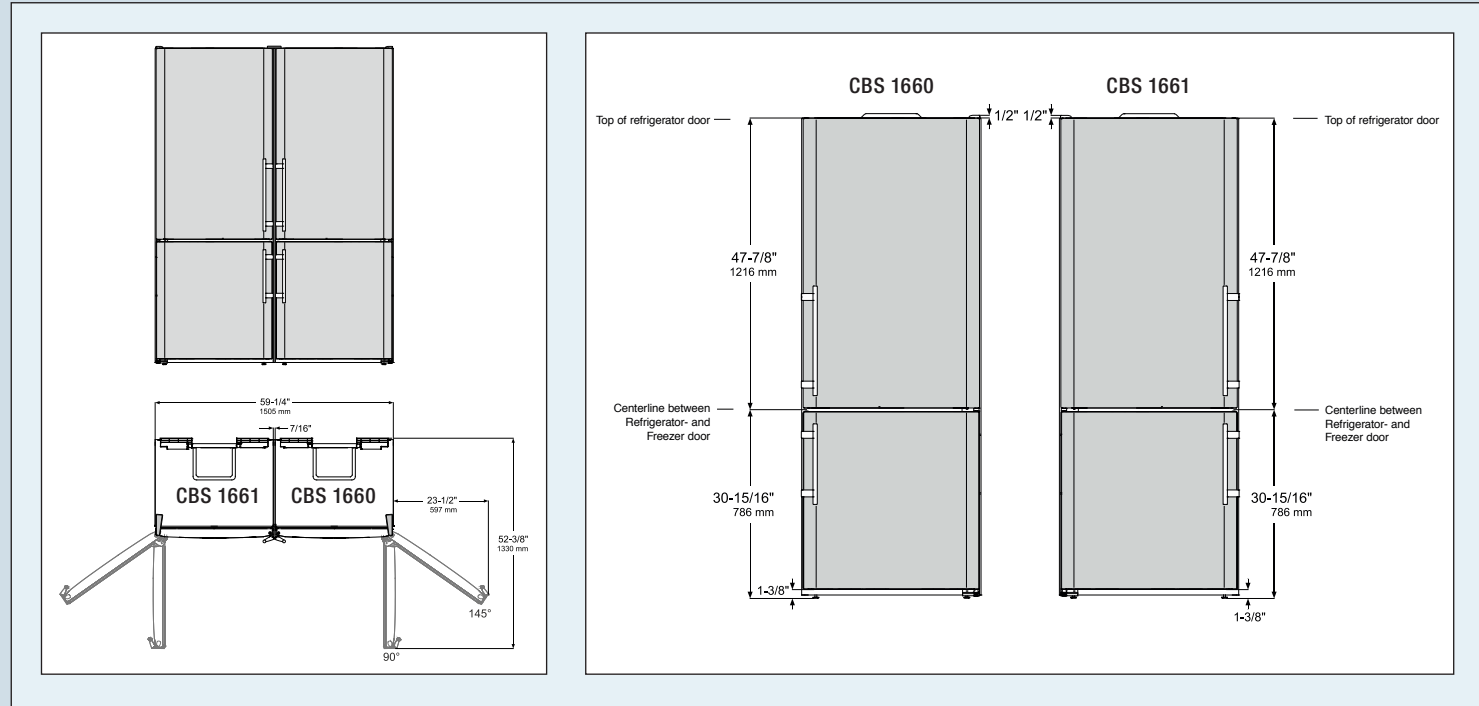
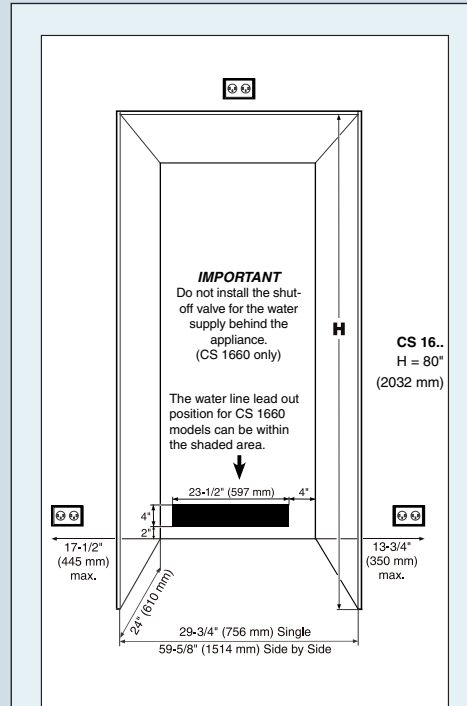


Unit Dimensions



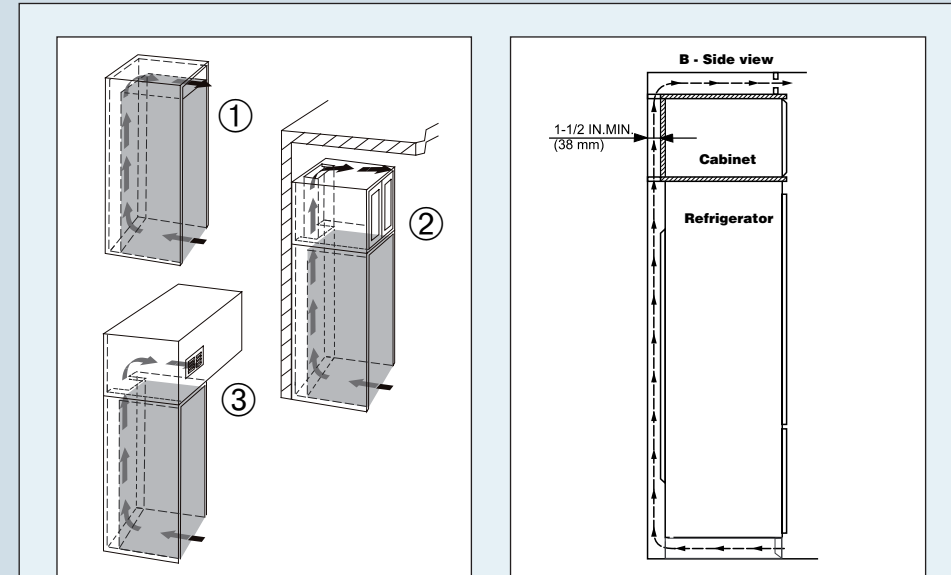
Cabinet Opening Dimensions



The appliance can be used freestanding or semi built-in. If semi built-in, consider the cabinet opening dimensions.

The power cord comes out of the appliance top. The location of the electrical outlet can be within a radius of 90 inch from the appliance top center.

Ventilation Requirements



Do not restrict the air flow. The opening can either be directly over the appliance ①, above the cabinet and below the ceiling ② or through a vent installed in a soffit ③. The cabinet height as specified at 80" (2032 mm) will create a 1-5/16" (33 mm) gap above the appliance providing optimal air flow over the top of the appliance for its efficient operation. Be sure to consider the possibility of having to raise some of the leveling legs in order to level the appliance when installing. If you adjust the height of the appliance - it will effectively reduce air flow. Therefore leave yourself some room for adjustment.

**IMPORTANT**  
The section between the freezer door and the floor must not be covered.

The refrigerator is designed to allow proper air flow when the appliance is installed up against the wall. A minimum space of 1 1/2" is required behind the cabinet when venting above an upper cabinet which is installed flush to the top of the appliance.



**Liebherr SBS 32S2**  
Freestanding/Semi Built-in



**LIEBHERR**  
Quality, Design and Innovation

## Freestanding/Semi Built-in

◀60"▶

The 60" side-by-side combination **SBS 32S2** joins flexibility with sleek design. Thanks to its stainless steel side walls, the SBS 32S2 can be featured as the centerpiece of your kitchen, or can be semi built-in into your kitchen cabinetry. With the SBS 32S2, you can achieve a flushed, built-in look with a freestanding unit without the added steps and cost of built-in installation. Composed of two ENERGY STAR® rated bottom-freezer combination fridges **CBS 1661** and **CBS 1660**, the SBS 32S2 provides flexible storage solutions within 4 full doors and 6 temperature zones. The individual appliances both include unique features such as BioFresh technology, which helps food retain their healthy vitamins, aroma and appetizing appearance significantly longer than in conventional refrigerators. Energy efficient LED lighting takes a starring role by illuminating the main compartments, and unique integrated LED lights sit on the bottom of the refrigerator door to shine down into freezer drawers when opened. A convenient, internal water filter is well-placed for quick filter changes to ensure that the supply of water to the IceMaker is always perfect. Features such as a foldable glass shelf, bottle shelving, and stainless back wall make the interior of the unit as appealing as the beautiful exterior's ergonomic handles, beveled edges, and easy-to-clean SmartSteel finish.



### Freestanding/Semi Built-in

#### Energy consumption

in 365 days kWh  
Estimated Yearly Energy Cost in US \$

#### Capacity

Total capacity cu.ft. (l)  
Refrigerator comp. cu.ft. (l)  
BioFresh comp. cu.ft. (l)  
NoFrost Freezer comp. cu.ft. (l)

#### Shipping weight lbs. (kg)

#### Climate rating

#### Sound rating dB(A)

#### Ice cube output lbs. (kg) / 24h

#### Ice cube stock lbs. (kg)

#### Door hinges

#### Outside dimensions

in inches (cm) H/W/D

#### Cut out dimensions

in inches (cm) H /W/D

#### Energy supply

Voltage V/Hz

### SBS 32S2 Premium



860
103*
24.6 (700)
18.0 (512)
3.0 (85)
6.6 (188)
454.1 (206)
SN-T
40**
3.1 (1.4)
6.6 (3.0)
left, reversible/right, reversible
79 9/16"/58 3/8"/24 13/16" (202/148.2/63)
80"/59 5/8"/24" (203.2/151.4/61)
115/60

\* Energy Cost will depend on utility rates and use. Estimated energy cost based on a national average electricity cost of 12 cents per kWh.

\*\* Noise output – according to EN 60704-3

## Features

◀60"▶



**German Engineering:** Our superior products offer premium quality, cutting edge design and innovative features that fit your busy lifestyle. Exclusive components and materials, along with the latest production processes, ensure energy efficiency and performance for years to come.



**SuperCool/SuperFrost:** Simply quick chill and/or freeze fresh groceries to preserve optimum freshness and seal in flavors, textures as well as maintain essential vitamins and minerals.



**SmartSteel:** Available on select freestanding/semi built-in models, SmartSteel significantly reduces the visibility of fingerprints and is very easy to clean and scratch resistant. All that is required to maintain this beautiful exterior is the wipe of a clean dry or damp cloth.



**Energy Star:** Liebherr refrigerators help produce less energy waste and greenhouse gas emissions with the goal of having the least damaging effect on the environment, while offering solutions that help consumers conserve energy.



**SuperQuiet:** Noise is kept to a minimum with virtually silent, speed controlled compressors and a low-noise cooling circuit; while also ensuring exact performance, energy efficiency and SuperQuiet operation.



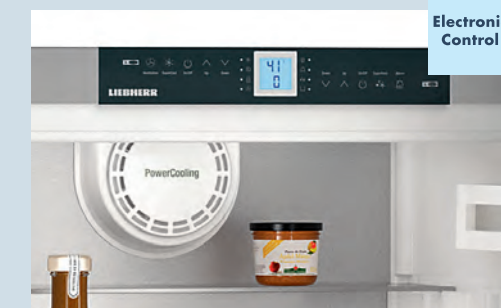
**Stainless back wall:** The high-quality, stainless back wall is both eye-catching and highly functional. The stainless wall prevents foods from freezing up against the evaporator, ensuring that the back of the refrigerator is always drip and ice-free. Ventilation slits also help guarantee optimum temperature distribution.



**BioFresh:** BioFresh guarantees the perfect climate for super-long-term freshness. Each drawer can be used individually and provides ideal humidity – HydroSafes with high humidity or DrySafes with low humidity – for a versatile storage solution of meats and cheeses as well as fruits and vegetables.



**SoftSystem:** Unique to Liebherr is our patented SoftSystem, often used in high-end cabinetry, ensures that the door closes gently, even when fully loaded. Plus the door opening angle can be reduced to 90 degrees allowing for more design options within kitchen décor.



**Electronic Display:** Our intuitive electronic touch control panel ensures all functions are easy and convenient to use as well as guarantees that the settings selected remain accurate and constant.