

INSTALLATION SPECIFICATIONS  
FOR SOLID PANEL READY (OP) AND  
GLASS FRAMED PANEL READY (OG)



PRESERVE THE MOMENT®

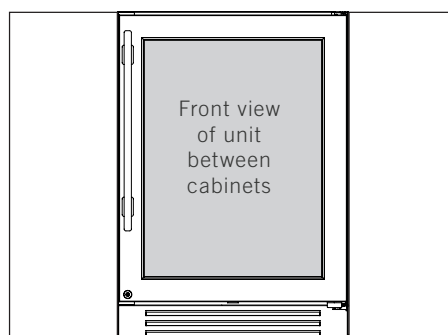
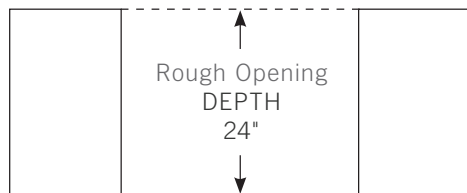
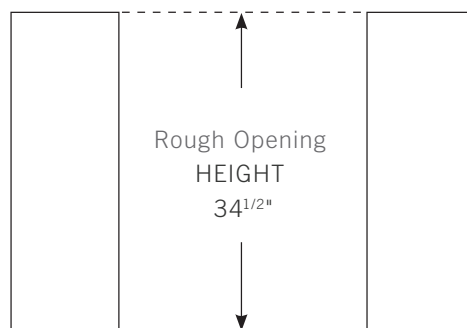
## 24 INCH INSTALLATION SPECIFICATIONS - SOLID (OP) AND GLASS FRAMED PANEL (OG)

---

True's 24 inch units with Solid and Glass Framed Panels are designed to be inserted into a cabinet opening or free standing. Below are recommended dimensions for rough opening.

**TRUE'S CABINETS ARE UL RATED FOR USE IN OUTDOOR SETTINGS.  
IN OUTDOOR LOCATIONS WHERE THE AMBIENT TEMPERATURE REGULARLY EXCEEDS 95°F, IT IS RECOMMENDED  
TO VENT THE REAR OF THE CUT OUT OPENING IN THE AREA SHOWN BELOW FOR OPTIMUM PERFORMANCE.  
THE RECOMMENDED CUT OUT SIZE IS 4" X 10".**

### 24 INCH



# 24 INCH

## ALL REFRIGERATOR



TUR-24-R/L-OP-B

TUR-24-R/L-OG-B

TUR-24D-OP-B

## FREEZER



TUF-24-R/L-OP-B

TUF-24D-OP-B

## BEVERAGE CENTER



TBC-24-R/L-OP-B

TBC-24-R/L-OG-B

## WINE CABINET



TWC-24-R/L-OP-B

TWC-24-R/L-OG-B

## DUAL ZONE WINE CABINET



TWC-24DZ-R/L-OP-B

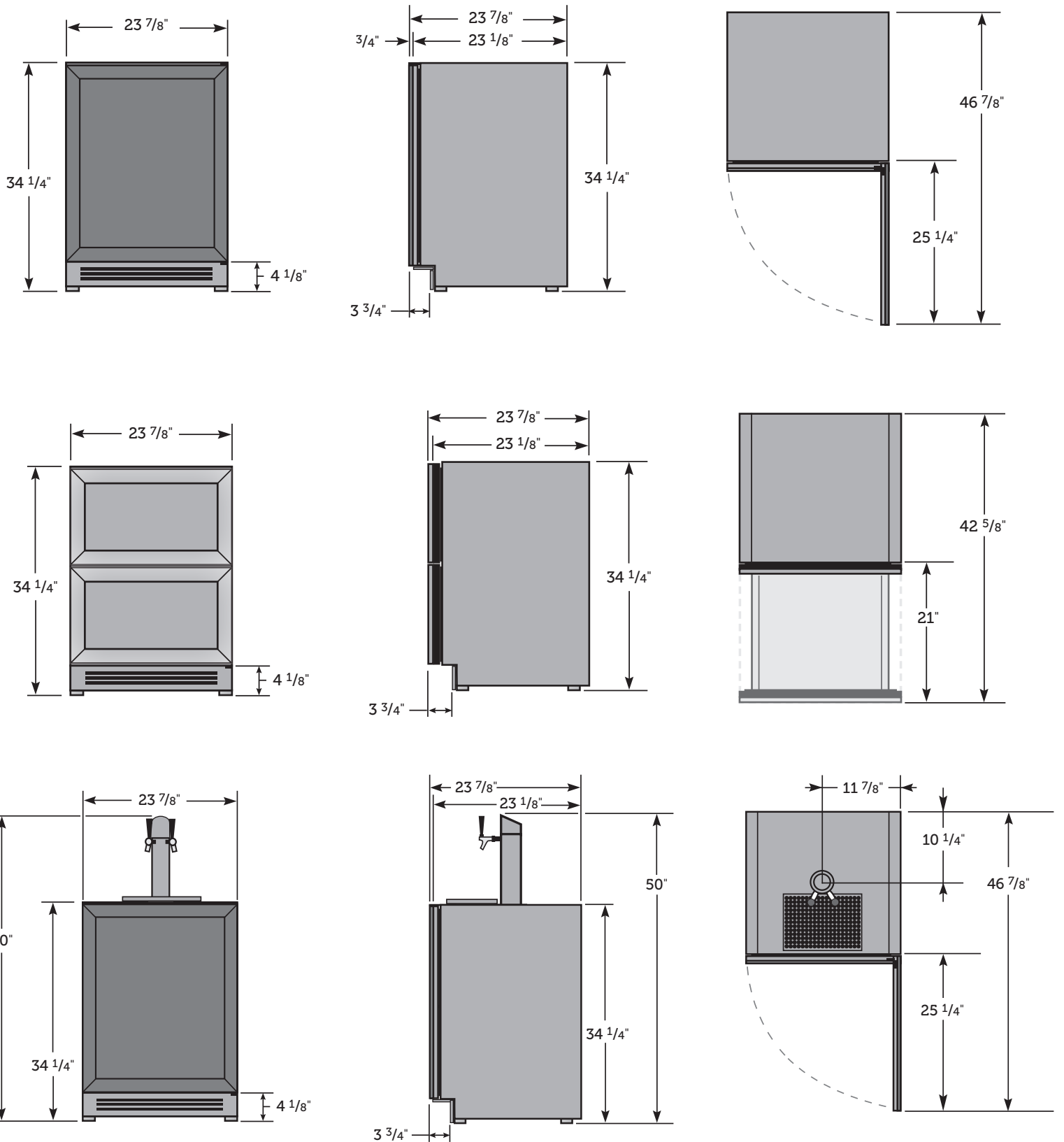
TWC-24DZ-R/L-OG-B

## BEVERAGE DISPENSER



TUR-24BD-R/L-OP-B

TUR-24DD-R/L-OP-B



**24" SINGLE TAP UNIT ACCOMMODATES (1) SHORT 1/4 BARREL, (1) SLIM 1/4 BARREL, OR (1) 1/6 BARREL. 24" DUAL TAP UNIT ACCOMMODATES (2) 1/6 BARRELS OR (1) SLIM 1/4 BARREL AND (1) 1/6 BARREL.**

**\* INCLUDING  $\frac{3}{4}$ " THICK PANEL (PROVIDED BY OTHERS)  
DIMENSIONS MAY VARY BY  $\pm \frac{1}{8}$ "**

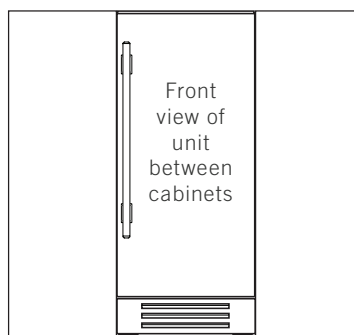
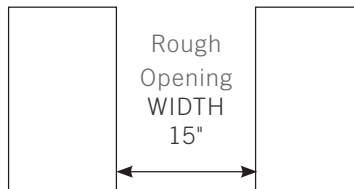
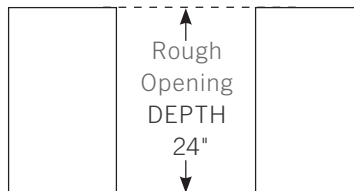
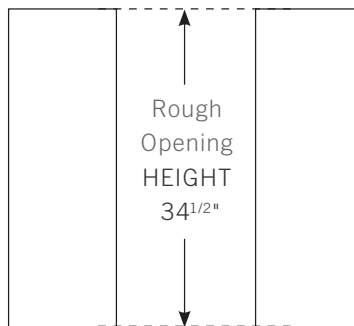
## 15 INCH INSTALLATION SPECIFICATIONS - SOLID (OP) AND GLASS FRAMED PANEL (OG)

---

True's 15 inch units with Solid and Glass Framed Panels are designed to be inserted into a cabinet opening or free standing. Below are recommended dimensions for rough opening.

**TRUE'S CABINETS ARE UL RATED FOR USE IN OUTDOOR SETTINGS.  
IN OUTDOOR LOCATIONS WHERE THE AMBIENT TEMPERATURE REGULARLY EXCEEDS 95°F, IT IS RECOMMENDED  
TO VENT THE REAR OF THE CUT OUT OPENING IN THE AREA SHOWN BELOW FOR OPTIMUM PERFORMANCE.  
THE RECOMMENDED CUT OUT SIZE IS 4" X 10".**

### 15 INCH



# 15 INCH

## ALL REFRIGERATOR



TUR-15-R/L-OP-B



TUR-15-R/L-OG-B

## WINE CABINET



TWC-15-R/L-OP-B

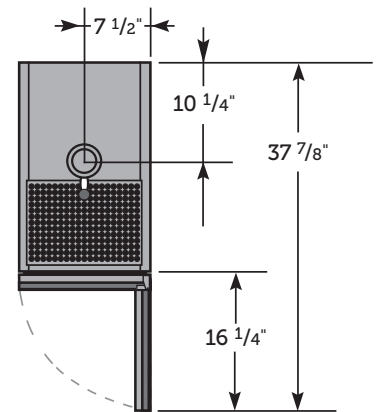
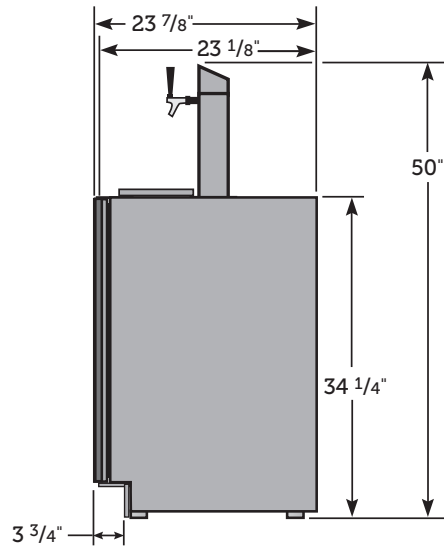
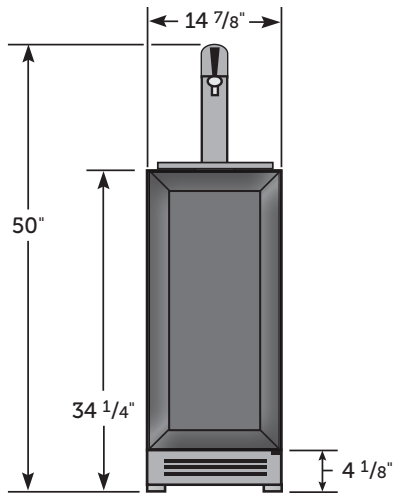
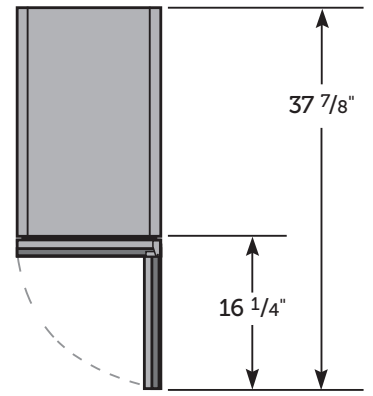
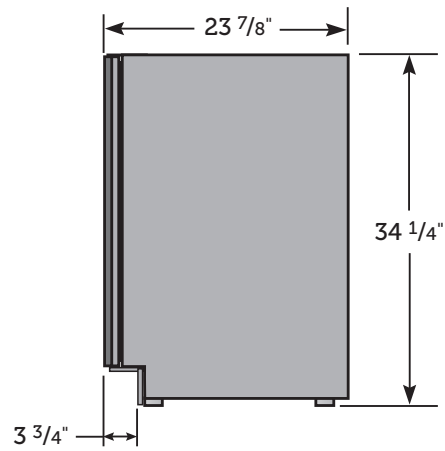
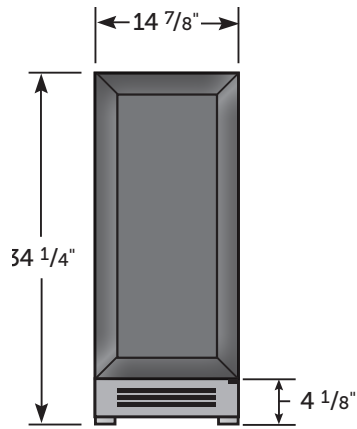


TWC-15-R/L-OG-B

## BEVERAGE DISPENSER



TUR-15BD-R/L-OP-B



**15" SINGLE TAP UNIT ACCOMMODATES  
(1) SLIM 1/4 BARREL OR (1) 1/6 BARREL.**

**\* INCLUDING 3/4" THICK PANEL (PROVIDED BY OTHERS)  
DIMENSIONS MAY VARY BY  $\pm 1/8$ "**

## CUSTOM PANEL INSTALLATION - SOLID DOOR REFRIGERATOR / FREEZER

---

Overlay units can be fitted with custom panels to match adjacent cabinetry. Two specification options for panels sizes are given in these instructions for overlay units: Standard overlays and Integrated Panels. The standard overlay panel dimensions fully cover the provided appliance door. The integrated panel options extend above the door and conceal the hinge assembly to match full overlay cabinet doors. See pictures below for reference.

### STANDARD OVERLAY PANEL



### INTEGRATED OVERLAY PANEL

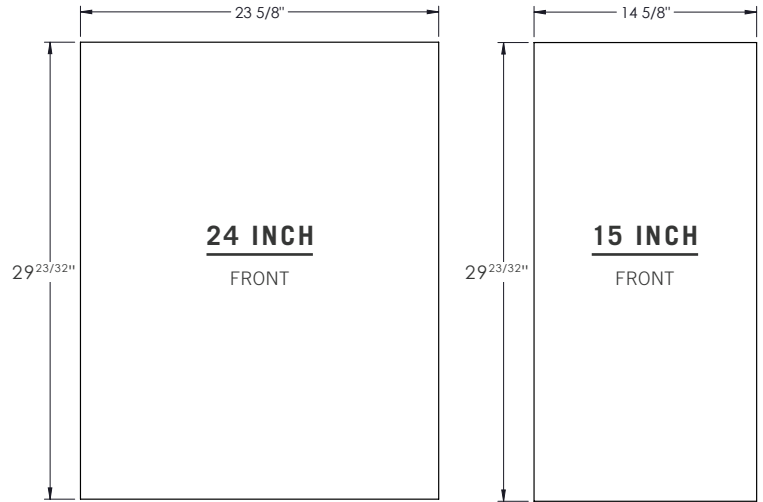




# CUSTOM PANEL INSTALLATION - SOLID DOOR REFRIGERATOR / FREEZER

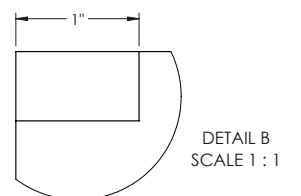
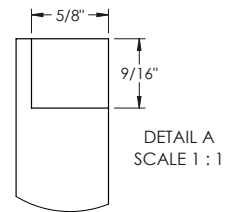
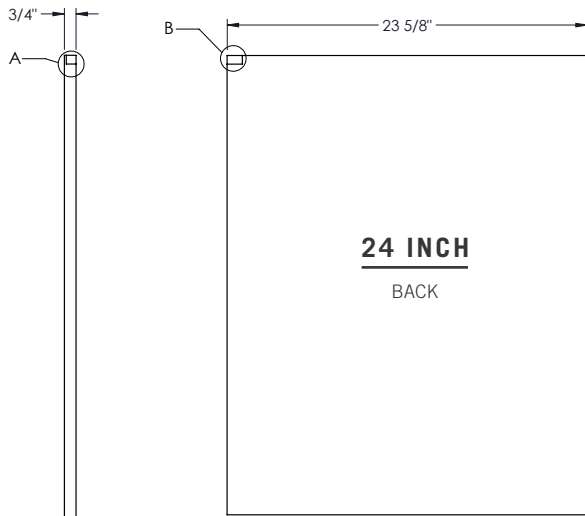
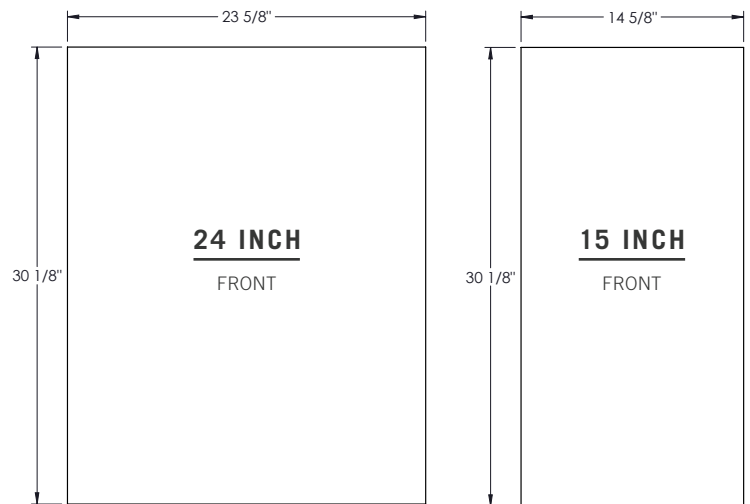
## STANDARD OVERLAY PANEL

SOLID DOOR	24 INCH	15 INCH
DOOR PANEL WIDTH	23 <sup>5/8"</sup>	14 <sup>5/8"</sup>
DOOR PANEL HEIGHT	29 <sup>23/32"</sup>	29 <sup>23/32"</sup>
DOOR PANEL DEPTH	3/4" max	3/4" max
DOOR PANEL WEIGHT	10 lb. max	10 lb. max
RAIL STYLE DIMENSION	2" min	2" min



## INTEGRATED OVERLAY PANEL

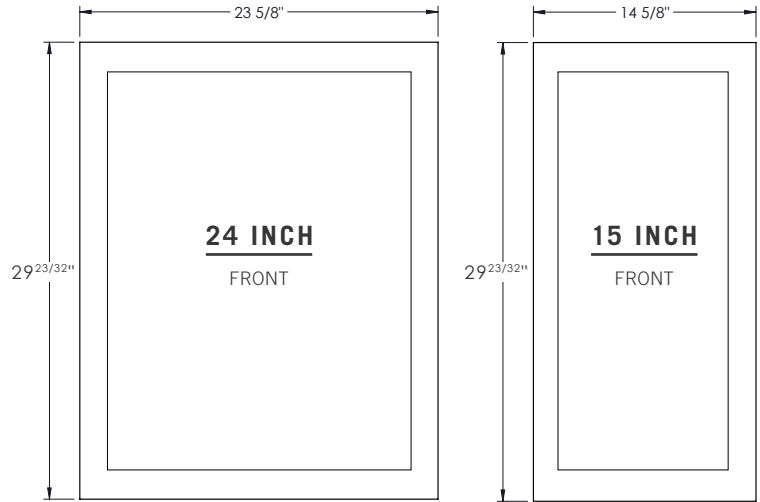
SOLID DOOR	24 INCH	15 INCH
DOOR PANEL WIDTH	23 <sup>5/8"</sup>	14 <sup>5/8"</sup>
DOOR PANEL HEIGHT	30 <sup>1/8"</sup>	30 <sup>1/8"</sup>
DOOR PANEL DEPTH	3/4" max	3/4" max
DOOR PANEL WEIGHT	10 lb. max	10 lb. max
RAIL STYLE DIMENSION	2" min	2" min



# CUSTOM PANEL INSTALLATION - GLASS DOOR REFRIGERATOR

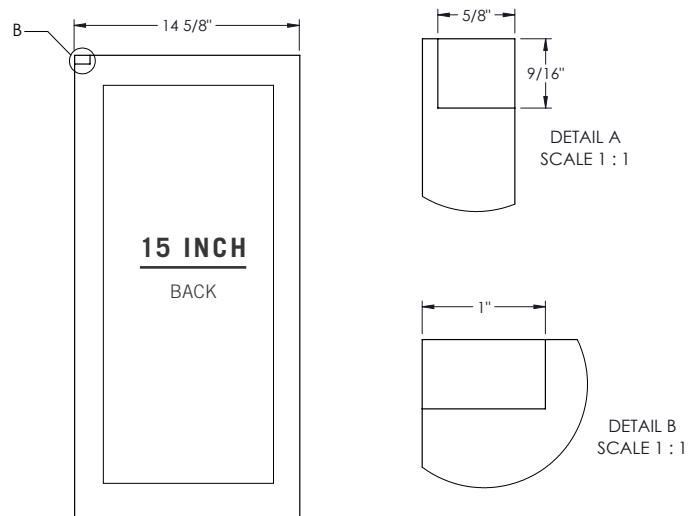
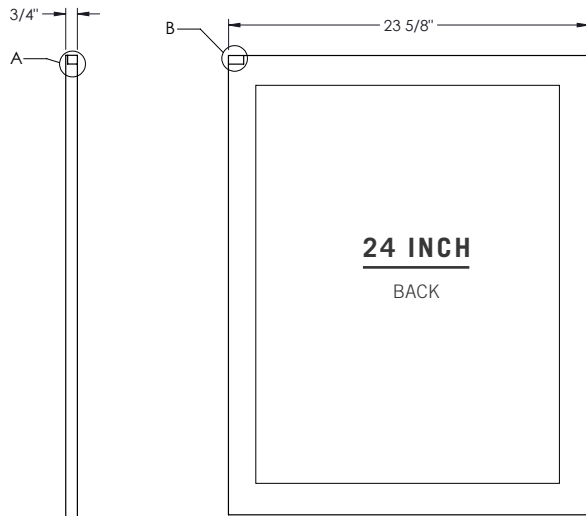
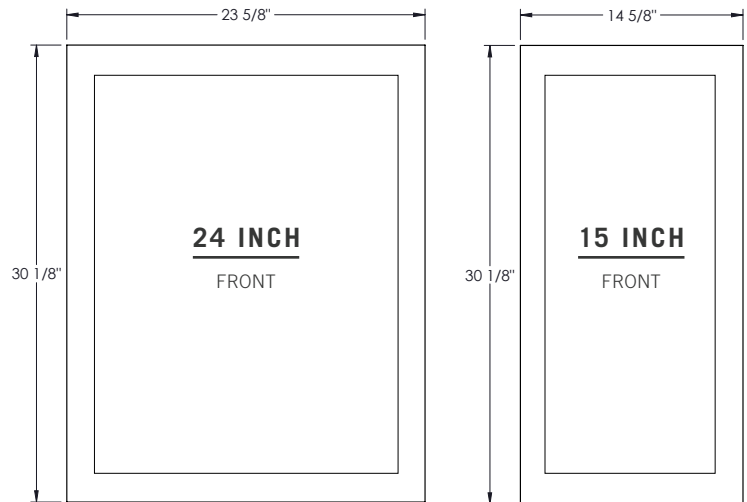
## STANDARD OVERLAY PANEL

SOLID DOOR	24 INCH	15 INCH
DOOR PANEL WIDTH	23 <sup>5/8</sup> "	14 <sup>5/8</sup> "
DOOR PANEL HEIGHT	29 <sup>23/32</sup> "	29 <sup>23/32</sup> "
DOOR PANEL DEPTH	3/4" max	3/4" max
DOOR PANEL WEIGHT	10 lb. max	10 lb. max
RAIL STYLE DIMENSION	2" min	2" min
VIEWABLE AREA WIDTH	19 <sup>5/8</sup> "	10 <sup>5/8</sup> "
VIEWABLE AREA HEIGHT	25 <sup>23/32</sup> "	25 <sup>23/32</sup> "



## INTEGRATED OVERLAY PANEL

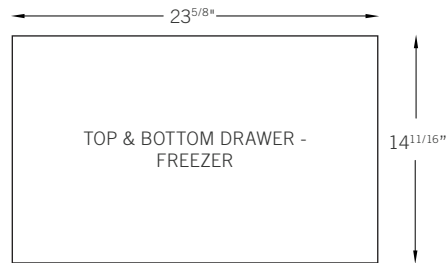
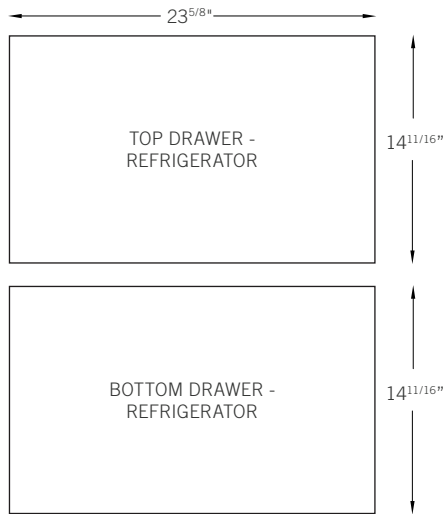
SOLID DOOR	24 INCH	15 INCH
DOOR PANEL WIDTH	23 <sup>5/8</sup> "	14 <sup>5/8</sup> "
DOOR PANEL HEIGHT	30 <sup>1/8</sup> "	30 <sup>1/8</sup> "
DOOR PANEL DEPTH	3/4" max	3/4" max
DOOR PANEL WEIGHT	10 lb. max	10 lb. max
RAIL STYLE DIMENSION	2" min	2" min
VIEWABLE AREA WIDTH	19 <sup>5/8</sup> "	10 <sup>5/8</sup> "
VIEWABLE AREA HEIGHT	25 <sup>23/32</sup> "	25 <sup>23/32</sup> "



# CUSTOM PANEL INSTALLATION - DRAWER REFRIGERATOR / FREEZER

## STANDARD OVERLAY PANEL

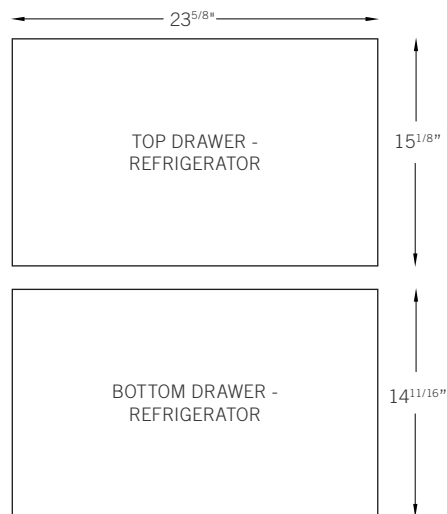
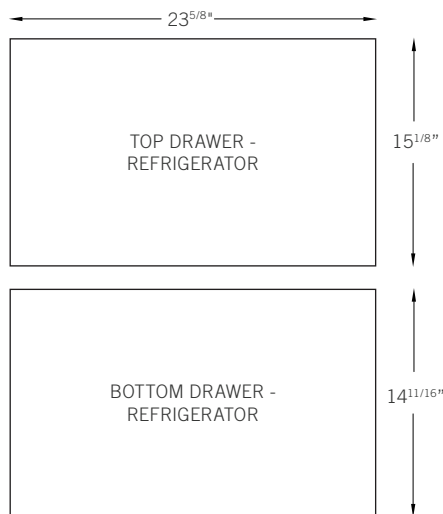
DRAWER PANEL WIDTH	23 <sup>5</sup> / <sub>8</sub> "
DRAWER PANEL HEIGHT	14 <sup>11</sup> / <sub>16</sub> "
DRAWER PANEL DEPTH	3/4" max



SPEC SAME PANEL FOR TOP & BOTTOM FREEZER DRAWERS.  
FOR BOTTOM DRAWER ROTATE PANEL 180°.

## INTEGRATED OVERLAY PANEL

DRAWER PANEL WIDTH	23 <sup>5</sup> / <sub>8</sub> "
TOP DRAWER PANEL HEIGHT	15 <sup>1</sup> / <sub>8</sub> "
BOTTOM DRAWER PANEL HEIGHT	14 <sup>11</sup> / <sub>16</sub> "
DRAWER PANEL DEPTH	3/4" max



NOTE: TOP DRAWER WILL EXTEND ABOVE PROVIDED APPLIANCE FRONT

## SOLID (OP) AND GLASS FRAMED PANEL (OG) INSTALLATION

### Required Tools:

- Phillips Screwdriver
- 3/8" Wrench
- 1/8" Drill Bit
- Ten (10) Screws #6

SEE PAGES 19-20 FOR OVERLAY PANEL DIMENSIONS BEFORE INSTALLING.

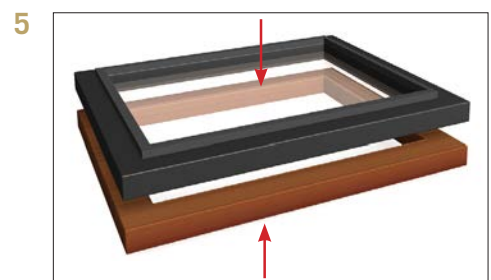
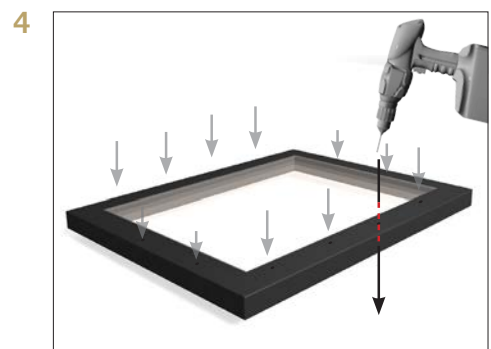
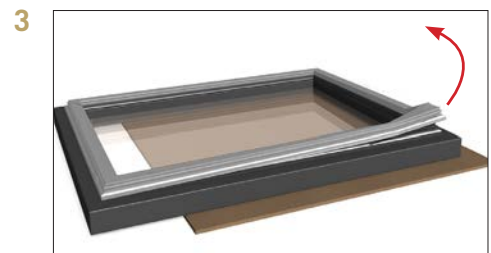
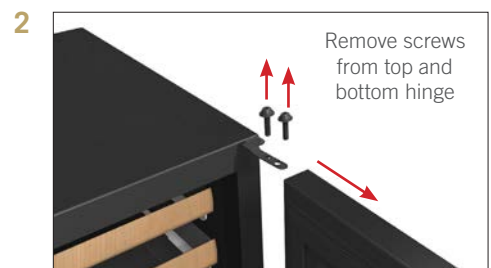
FOR EASY OVERLAY INSTALLATION REFRIGERATOR DOOR REMOVAL IS REQUIRED.

**NOTE: DO NOT INSTALL A SOLID PANEL ON A GLASS DOOR. THIS MAY CAUSE MOISTURE TO FORM BEHIND THE PANEL RESULTING IN DAMAGE.**

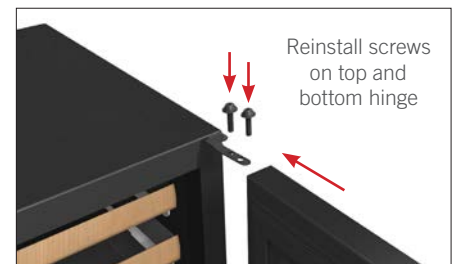
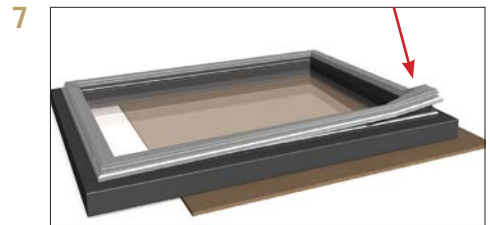
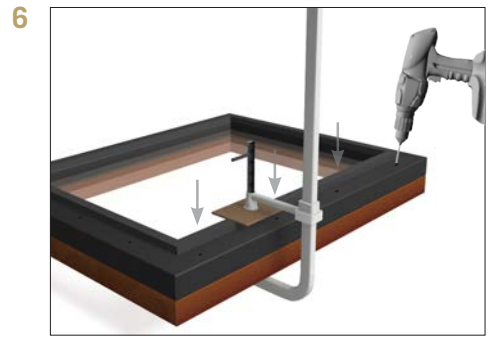
1. Open front door and pull grill forward to remove.
2. To remove door back out two bottom hinge screws with a 3/8" wrench. Secure door while removing screws. Remove two Phillips screws from the top hinge. Save all these screws for later reinstall.
3. Lay door on a safe solid surface. If retrofitting glass door model be careful not to damage glass. Lay cardboard or other safe material down before working on the door. Remove door gasket from the inside of the door frame. Place gasket to the side for later reinstall.
4. There are pre marked areas on the front of the door. Drill these pre marked holes with 1/8" drill bit. Make sure to go all the way through the door.

**NOTE: IF HANDLE IS BEING USED ON OVERLAY INSTALL IT BEFORE STEP 7 (SEE IMAGE A). FOR BEST INSTALLATION, SCREWS ATTACHING HANDLE SHOULD BE RECESSED.**

5. It is recommended to clamp the door front on top of the overlay before drilling pilot holes and installing anchor screws. The clamp ensures the overlay panel and door stay aligned with each other while installing. Once panel is clamped in place, pilot holes may be drilled into the panel from the rear side of the door.



- Once all holes are pre drilled use the appropriate specified screws to secure the overlay panel onto the front of the refrigerator door.
- Reinstall all components in reverse order. Door gasket snaps back into place. Overlay panel and door stay aligned with each other while installing.



**SOLID OVERLAY PANEL**

**24 INCH**



**15 INCH**



**GLASS OVERLAY PANEL**

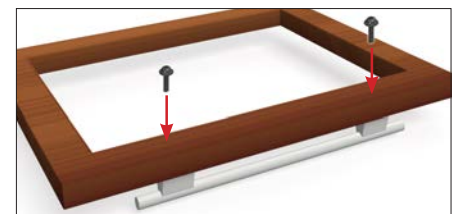
**24 INCH**



**15 INCH**



**IMAGE A**



## DRAWER OVERLAY PANEL INSTALLATION

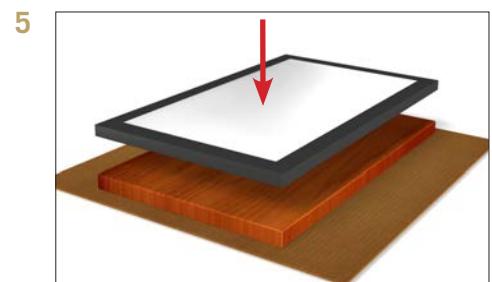
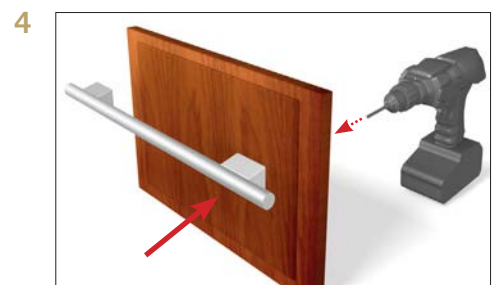
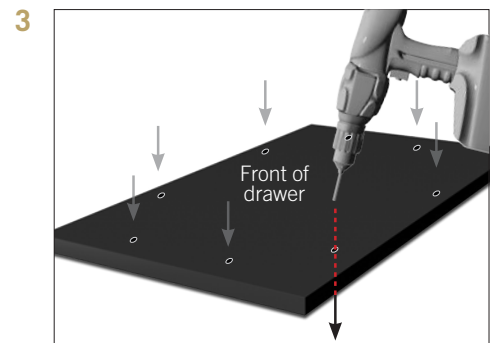
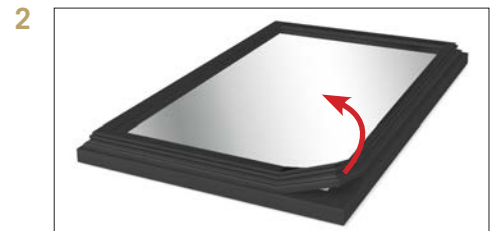
Required Tools:

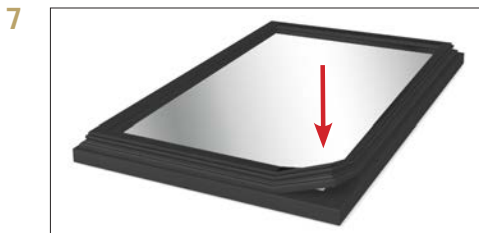
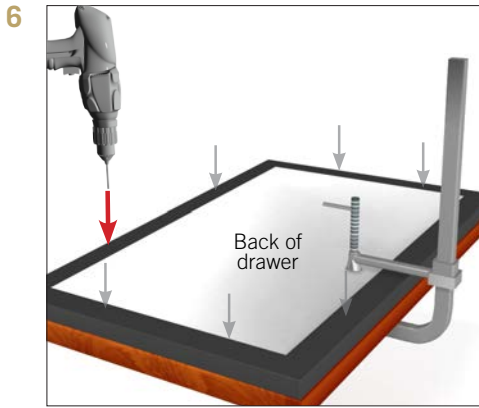
- Phillips Screwdriver
- 1/8" Drill Bit

SEE PAGE 21 FOR OVERLAY PANEL DIMENSIONS BEFORE INSTALLING.

FOR EASY OVERLAY INSTALLATION, DRAWER FRONT REMOVAL IS REQUIRED.

1. Open the drawer and detach the front drawer panel by removing four #2 Phillips screws (two on each side). (See image 1). Save all these screws for later reinstallation.
2. Remove front drawer panel gasket.
3. Using a 1/8" drill bit, drill out the eight pilot holes (each drawer) from the front of the drawer panel. Drill completely through the panel.
4. Attach drawer handle to the front of the overlay panel. Attach handle before step 5.
5. Lay overlay panel face-down on a safe solid surface. Lay drawer panel face-down on top of the overlay panel. Align panels and secure with a clamp. Lay cardboard or other soft or safe material down before working on drawer front.
6. Secure overlay panel to drawer panel using appropriate size screws.
7. Reattach drawer gasket by pressing and snapping back into place in gasket channel.
8. Reattach drawer panel front to the drawer using four screws.





**DRAWER OVERLAY PANEL**

**24 INCH**

