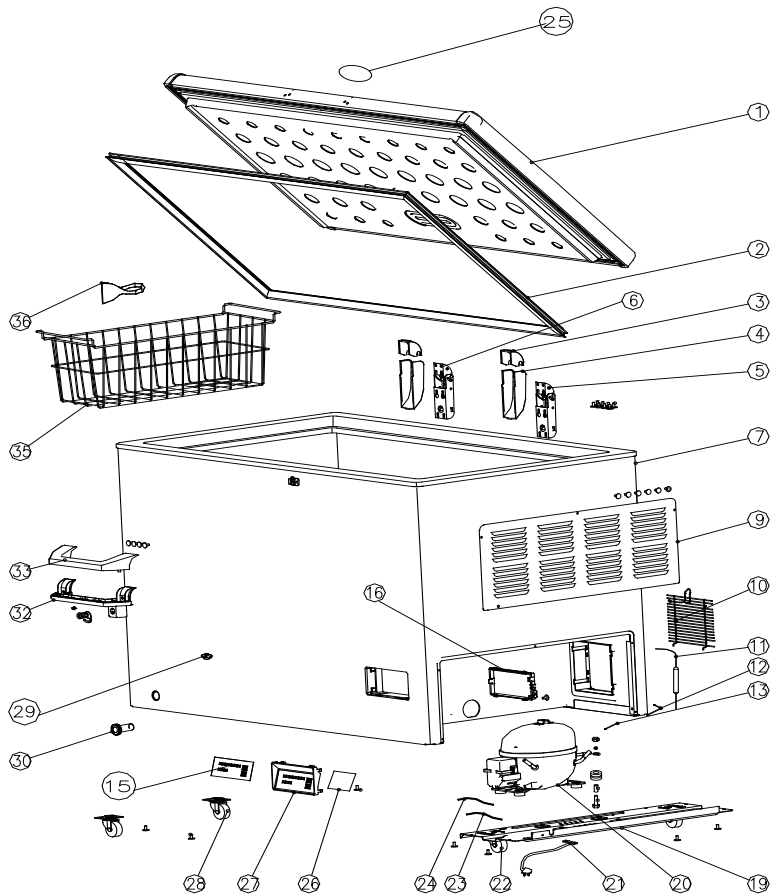


# Exploded view



# CF106B0W Parts list

No.	Parts code	Description of Spare Part	Quantity
1	2150130005	Door	1
2	2200200012	Door gasket	1
3	2208200021	Cover of door hinge,Upper	2
4	2208200022	Cover of door hinge,Lower	2
5	2301400008	Door hinge assembly	1
6	2301400008	Door hinge assembly	1
9	2304520002	Cover of compressor	1
10	2305100005	Wire Cover	1
11	3040500011	Drier filter	1
12	20114070006	Connecting tube	1
13	3040600005	Process tube	1
15	2209100108	controlor modulatory pannel	1
16	2208200023	Cover of controlor	1
19	2304510002	Compressor base support	1
20	2400100057	compressor	1
21	3050100141	Power supply cord plug	1
22	2207700023	Scroll wheel	2
23	3050200095	Earthing wire of compressor	1
24	2500200034	Connecting wire of compressor	1
26	2500300022	Electric control board	1
27	2207100086	Controlor modulatory board	1
28	3039900278	Scroll wheel	2
29	2207700028	Drain-pipe plug	1
30	20122990649	Drain-pipe decorative cover	1
32	2208100090	Door handle,Seat	1
33	2208100091	Door handle,Cover	1
35	2305100006	Food box	1
36	20122990706	Ice scoop	1