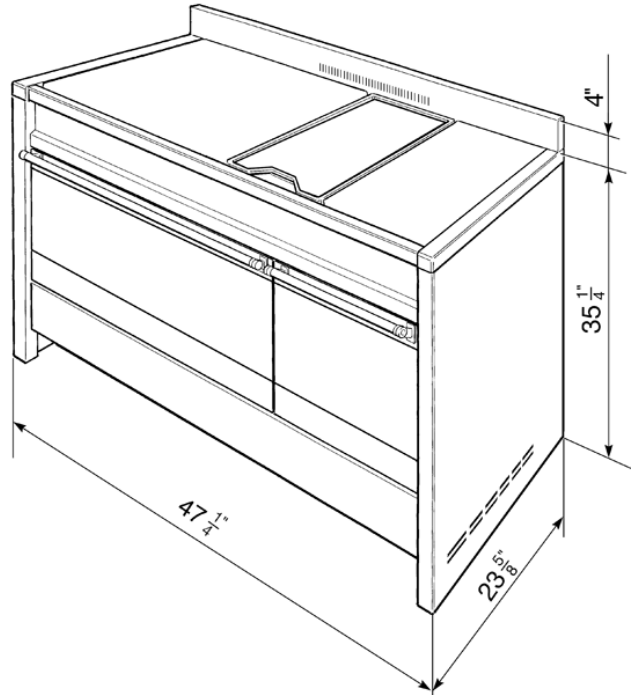
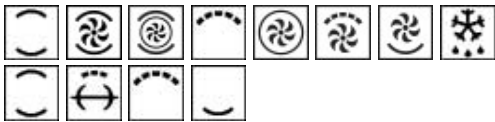


Free-standing Dual Fuel Dual Cavity "Opera" Range  
 Approx. 48" Stainless Steel  
 Gas Rangetop With Electric Grill  
 EAN13: 8017709124670



• **Professional Style** • AISI 304 stainless steel • Digital analogue LED electronic clock • Full-width continuous grates • Stainless steel storage drawer beneath the ovens • 4" Stainless steel backplash • **Multifunction electric oven - Main** • 8 cooking modes • Programmable timer • Adjustable thermostat 120° - 450°F • Triple glazed removable door • Oven capacity: 3.2 Cu Ft. • "Ever-Clean" enamelled oven interior • Roof liner • **Multifunction electric oven- secondary** • 4 cooking modes • Programmable timer • Adjustable thermostat 120° - 430°F • "Ever-Clean" enamelled oven interior • Triple glazed removable door • Oven capacity: 1.48 Cu.Ft • **Gas Rangetop** • 5 gas burners • Right-rear 6650 BTU • Central-rear 13650 BTU • Right-rear 3500 BTU • Front Central 6650 BTU • Left double.inset super burner 15000 BTU • Cast iron grates and matte black burner caps • Automatic electronic ignition • LP Gas conversion kit included • Easy access for nozzle replacement • Deep rangetop base to contain spillage • **Safety** • Gas safety valves • Ventilated door with cooling system to prevent overheating • Connected load nominal power 120/240V – 6.5kW/5kW • Amp supply required @240/208V: 27/24Amps • Voltage rating: 240/208V 60Hz • Gas inlet location: back top right • **Accessories included:** • 2 baking trays • 1 wire rack • 2 rotisserie kit • 1 wok ring

## Functions



Main Oven

Secondary Oven

## Options

- KIT1A3-6 - Backsplash • KIT2A3-2 - Kick plate • KIT3-6 - Height extension (to rise appliance 2") • GTA-6 - 3 Level telescopic shelf set
- GO120 - Cast iron open griddle • DICAR - Simmer plate • KIT4A3 - Toe kick to use with 2" height extension • KITIA3 - Island trim