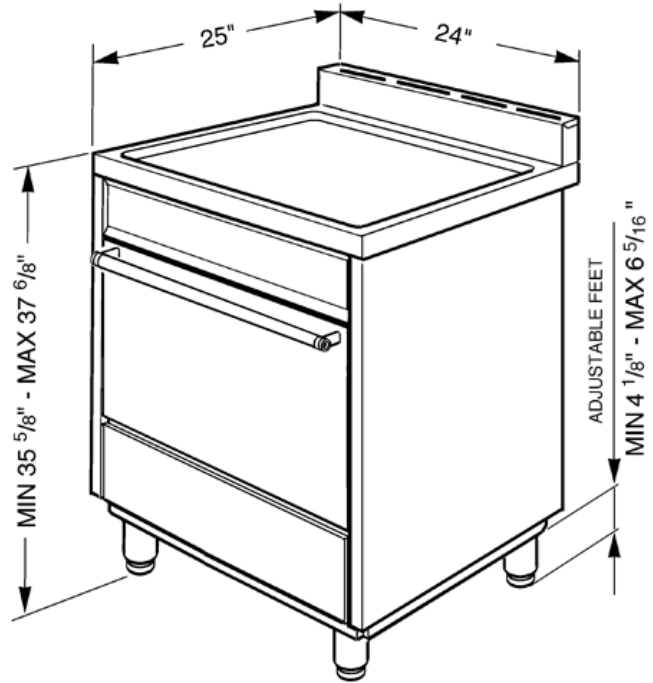




C24GGXU

Free-Standing Gas Range, 24",
Stainless Steel
EAN13: 8017709173159



• **Professional Style** • AISI 304 stainless steel • Sturdy American style control knobs • 4" Polished stainless steel backsplash • **Gas oven:** • 3 Cooking modes • Gas Convection mode • Broil mode • Defrost mode • Air cooled triple glazed removable door • "Ever-clean" enamelled oven interior • 5 Shelf positions • Oven capacity: 2.8 Cu. Ft • Gas broil element: 10,500 BTU • Gas bake element: 11,200 BTU • **Gas Rangetop:** • Heavy-duty cast iron grates • Full-width grates • Sealed burners • Automatic electronic ignition • Safety valves • LP gas conversion kit included • **4 Gas burners:** • Right-rear double-insert super burner 15000 BTU • Left-rear 3400 BTU • Right-rear 6200 BTU • Left-front 6200 BTU • Connected load nominal power 120V • Amp supply required @120V: 1.2 Amps • Voltage rating: 120V 60Hz • Gas inlet location: back top right • **Safety:** • Gas safety valves • Ventilated door with cooling system to prevent overheating • Anti-tilting norms satisfied • Suitable for building-in • **Accessories included:** • 1 Baking tray • 2 Chrome shelves • 1 Wok ring • 1 Moka ring

Options

• KIT124XU - Island trim • 8MCCU - "Classic" control knob kit • GT1T-1 - Telescopic guides - full extension • GT1P-1 - Telescopic guides - half extension