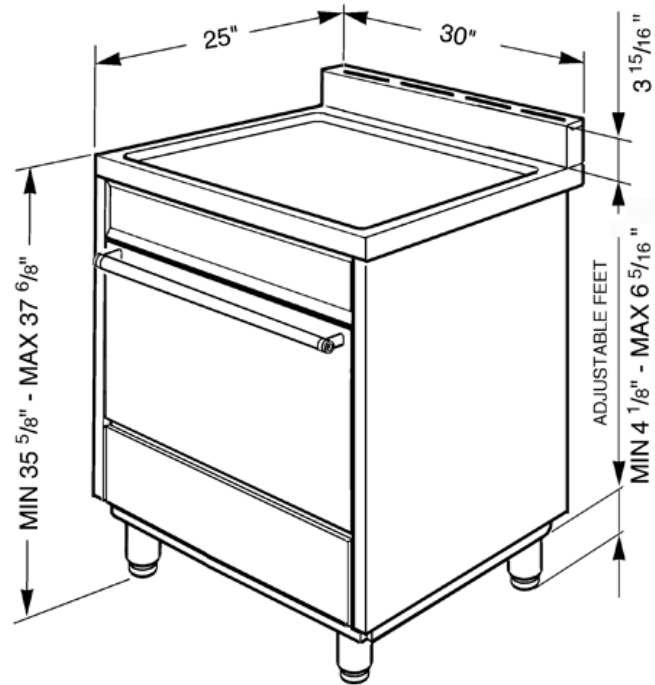




C30GGBU

Free-Standing Gas Range, 30",
White
EAN13: 8017709217402



• **Professional Style** • AISI 304 stainless steel • Sturdy American style control knobs • 4" polished stainless steel backsplash • **Gas Oven:** • 3 Cooking modes • Gas Convection mode • Broil mode • Defrost mode • Timer with alarm • Air-cooled triple-glazed removable door • "Ever-Clean" enameled oven interior • 4 shelf positions • Oven capacity: 3.55 cu. ft. • Gas bake power: 16,500 BTU • Gas broil power: 12,500 BTU • **Gas Rangetop:** • Heavy duty cast iron grates • Full width grates • Sealed burners • Automatic electronic ignition incorporated in the control knobs • LP Gas conversion kit included • Deep range-top base to contain spillage • **5 Gas Burners:** • Right-rear 10100 BTU • Left-rear 10100 BTU • Right-rear 10100 BTU • Left-front 10100 BTU • Central double-insert super burner 17000 BTU • **Safety:** • Gas safety valves • Ventilated door with cooling system to prevent overheating • Anti-tilting norms satisfied • Suitable for building-in • Connected load nominal power 120V • Amp supply required @120V: 1.2 Amps • Voltage rating: 120V 60Hz • Gas inlet location: back top right • **Accessories Included:** • 1 Baking tray • 1 Chrome shelf • 1 Wok ring • 1 Moka ring

Options

- KIT130XU - Island trim • 8MCCU - "Classic" control knob kit