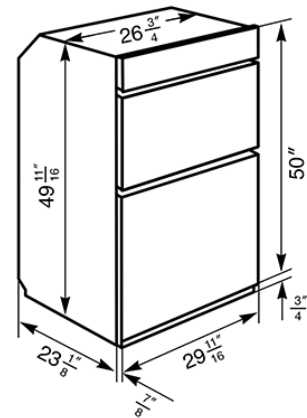
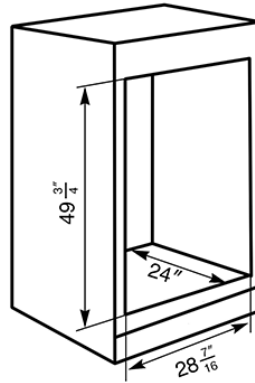


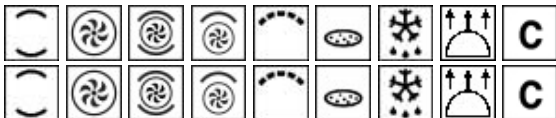
76CM (30") "Classic" Electric Multifunction  
 Double Oven Stainless Steel  
 EAN13: 8017709206208



• **Classic design** • **MAIN AND SECONDARY OVEN** • **Two Multifunction ovens** each with 10 cooking modes (including **Warming** and **Dehydrate**) + self cleaning cycle • Finger-print proof stainless steel • Ergonomic control knobs • Touch control panel to access secondary menu • Digital display • True European Double Convection • Fast Preheat Cycle (8 to 12 minutes) • Min temp 86°F • Max temp 554°F • Automated oven switch-off when door is open • Sabbath mode • Child Safety locks • 6 Rack positions • 1 telescopic guide • Oven capacity: 4.34 cu.ft. • Interior dimensions: W 24" x H 16 1/8" x 16 5/16" • Concealed bake element • Voltage rating: 240/208V – 60Hz • Connected load (nominal power): • 240/208V: 32.4/33.8Amps • Power supply location: center-top • **Accessories Included (MAIN AND SECONDARY OVEN):** • 1 Grid insert for tray • 3 Grid top • 1 Telescopic Guide • 1 Enamelled Tray • 1 Meat probe



## Functions



Main Oven

Secondary Oven