
BERTAZZONI PROFESSIONAL SERIES

24" VISOR HOOD

KTV24PRO1X

HIGHLIGHTS

- Telescopic extension range hood visor
- Max telescopic extension 8" ³/₄
- 300 CFM blower
- Electronic 3 speed setting control
- 2 halogen lights for excellent cooking surface illumination
- Aluminum mesh filter (dishwasher safe) for capture of smoke and grease

FEATURES

Hood finishing	trim and telescopic visor
Motor	1
Interface	digital touch control
Lights	2 halogen 20 W
Filters	aluminum mesh
Max extraction power	300 CFM
Distance from the worktop	25" ¹ / ₂ for gas cooktop, 24" for induction cooktop

TECHNICAL SPECIFICATIONS

Electrical Requirements	120 V 60 Hz
Max Amp usage	2.63 A – 315 W
Certification	UL-CSA
Warranty	2 years parts and labor

ACCESSORIES

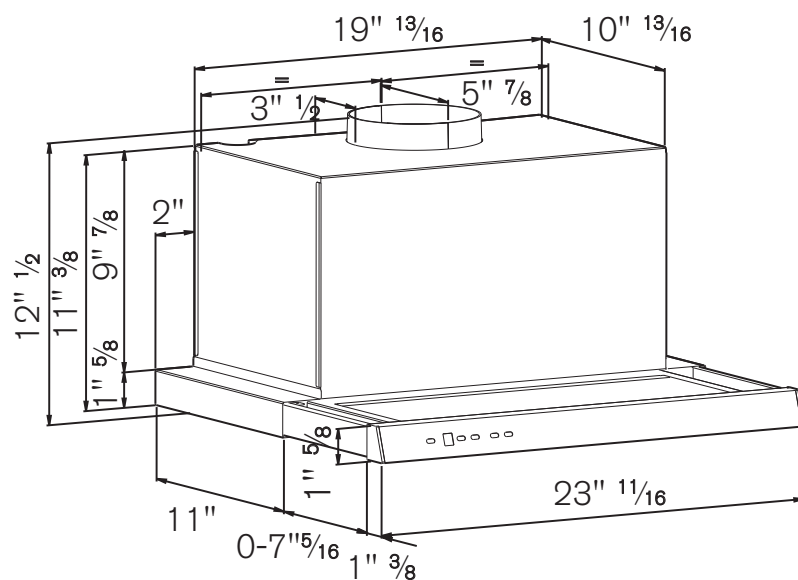
Recirculation kit	901453
--------------------------	--------



TO COOK BEAUTIFULLY
WWW.BERTAZZONI.COM

INSTALLATION INSTRUCTIONS

KTV24PRO1X



Bertazzoni recommends to operate the appliance after it has been properly installed. Please refer to the installation manual for further details.

Disclaimer: while every effort has been made to insure the accuracy of the information contained in this brochure, Fratelli Bertazzoni reserves the right to change any part of the information at any time without notice.

Fratelli Bertazzoni, Bertazzoni and the winged wheel brand icon are registered trademarks of Bertazzoni Spa.