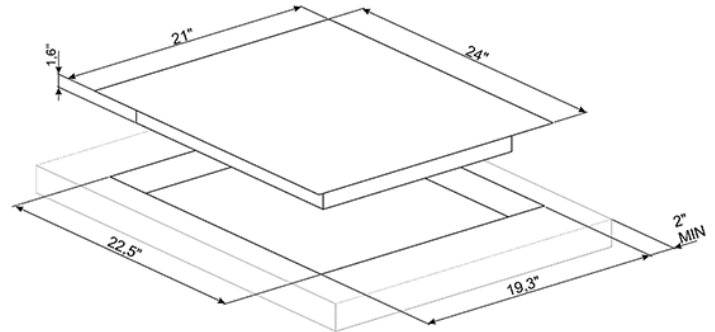
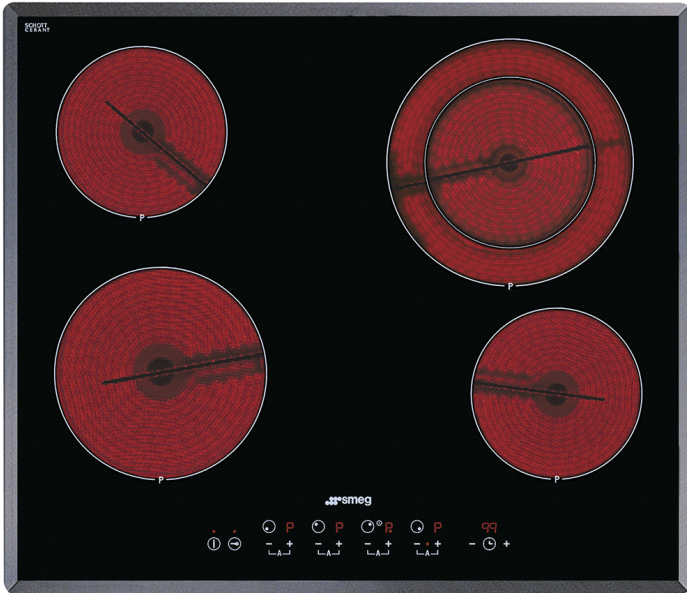


60CM (24") Ceramic Cooktop
Angled-edge Glass
EAN13: 8017709204938



• 4 high-light radiant zones: • Front-left: Ø 7" (180mm) - Booster 1,800W • Back-left: Ø 5 5/11" (140mm) - Booster 1,200W • Front-right: Ø 5 5/11" (140mm) - Booster 1,200W • Back-right: Ø 5 5/11 - 8 1/3" (140-210mm) - Double Booster 2,400W • "Suprema" black ecological glass • Soft-touch controls • 4 high-light radiant elements • 9 power levels for each zone • Residual heat indicator for each zone • "Keep warm" automatic function • Automatic safety cut-out • Child safety lock • Limited power consumption mode • Voltage rating: 240/208V - 60Hz • Quick start option • Connected load (nominal power): 240/208V-8.1/6.0kW • Amps 240/208V: 34/29Amps • Electrical - single phase 3 or 4-wire cable required, 120/240V or 120/208V, 60Hz, fused on both sides of line with ground. • **Accessories Included:** • 1 Cleaning scraper