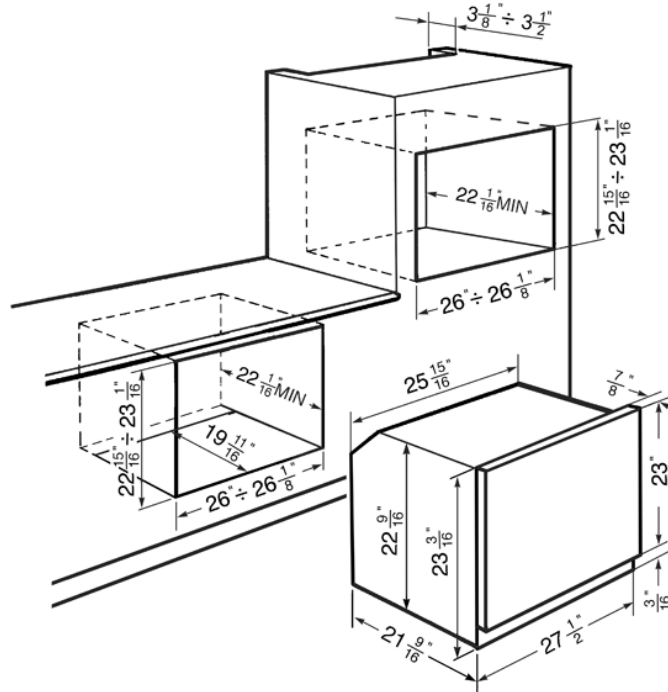


70CM (approx 27") "Linea" Electric Multifunction
Oven Stainless Steel and Glass
EAN13: 8017709114534



• **Modern Linea design** • Multifunction oven with 12 cooking modes • Stainless steel and Stopsol® "Supersilver" glass • Ergonomic backlit transparent controls • Digital electronic program feature with multi-display • Automated oven switch-off when door is open • Electronic temperature control • Stay clean liners • Air cooled door • Triple glazed removable door • Quickly removable, easy to clean inner door glass • Oven capacity: 3 cu. ft. • Interior dimensions: W 22 5/16" x H 12 3/16" x D 16" • Adjustable temperature: 86° - 536°F • Voltage rating: 240/208V - 60Hz • Connected load (nominal power): 240/208V-3.7/2.76kW • Amps @ 240/208V: 15.4/13.2Amps • Power supply location: Back-right bottom • **Accessories included:** • 1 Baking tray • 1 Broil pan with broiler rack • 2 Wire racks • 1 Rotisserie kit

Functions



Options

- GT90X - 3 level telescopic rack set