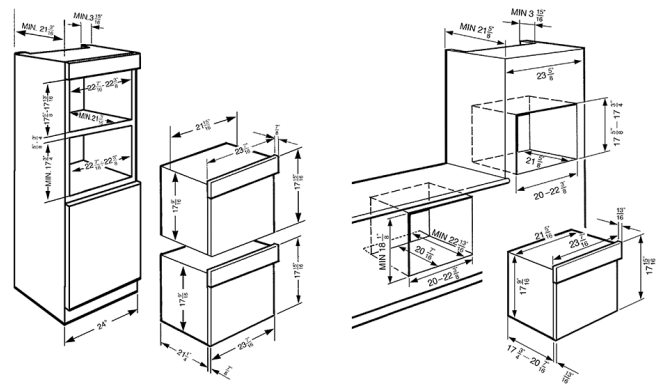




SU45VCX1

60CM (Approx. 24") "Classic" Built-in Steam
Combination Oven, Stainless Steel
EAN13: 8017709194468



• **Classic Design** • 10 cooking modes • Fingerprint-proof stainless steel finish • Ergonomic control knobs • Stainless steel cavity • Digital LED Display • True European Convection (combinable with Steam oven) • Pizza Cooking function • Steam cooking (combinable with convection oven) • Steam stops when door is open • Temperature range 105°F – 430°F • Child safe control lock • 1 x 25 W incandescent bulb • Oven capacity: 1.34 Cu.Ft. • Water Tank Capacity: 0.32 Gal • Voltage Rating: 220V / 60 Hz • Nominal Power: 2.7 kW • Amps @ 240V: 12.3 A • **Accessories included:** • 1 Steel Tray • 1 Large Grid • 1 Deep perforated steel tray • 1 Sponge / Descaler • Options: • Please note that this oven may be installed in a wall cabinet that is a minimum of 22" wide. A trim kit for an installation in a wider wall cabinet above a 30" oven is available. (Product code **KIT4570X**) consists of two stainless steel panels that allow the oven to reach 30" wide.

Functions



Options

- CTPU15X - Food and Dish Warming Drawer