



## TRU36GGP New product

### Victoria

Free-standing All-Gas "Victoria" Range  
36" - Cream enamel

EAN13: 8017709219123

#### Traditional Style

Electronic clock with programmable features  
Full-width continuous grates  
Stainless steel storage drawer beneath the oven  
1 ¼" Island Trim

#### Gas oven:

2 cooking modes  
Programmable timer  
Adjustable thermostat 122° -500°F  
Air-cooled triple-glazed removable door  
True European convection  
Oven capacity: 4.4 cu. ft.  
"Ever-Clean" enameled interior cavity  
4 shelf positions  
2x halogen oven lights  
Bake element 1.7 kW  
Broil element 2.9 kW  
Convection element 1.55 kW

#### Gas Rangetop:

5 gas burners  
Right-rear 6500 BTU  
Left-rear 6500 BTU  
Right-rear 3400 BTU  
Left-front 10000 BTU  
Central double-inset super burner 18000 BTU  
Heavy-duty cast iron grates  
Automatic electric ignition  
LP gas conversion kit included

#### Safety:

Gas safety valves  
Air-cooled door to prevent overheating  
Connected load nominal power: 240/120V  
Voltage rating: @ 240/120V 60Hz  
Amp supply required: 240/120V - 15/13.5Amps  
Gas inlet location: back top-right

#### Accessories included:

1 wok ring  
1 moka ring  
1 rotisserie kit  
2 baking trays  
2 chrome shelves



5 1/3" backsplash

## Functions

---



## Versions

---

- **TRU36GGX** - Stainless steel
- **TRU36GGBL** - Glossy black

**SMEG U.S.A. INC.**  
**A&D BUILDING**  
**150 EAST 58th STREET, 7th FLOOR**  
**NEW YORK, NY, 10155**  
**Tel. +1 212 265 5378**  
**Fax +1 212 265 5945**



**TRU36GGP**

Victoria

36"  
cream  
cooktops type: gas  
oven type: gas



---

## Main Oven

---



### Convection Gas with Fan:

Convection gas with fan cook mode allows different foods to be cooked at the same time on different racks, without odour transfer. The numerous benefits include more uniform heat, more constant temperature and reduced pre-heat time which create excellent and efficient performance.



### Defrost:

The circulation of air at room temperature enables quicker thawing of frozen food, (without the use of any heat). Ideal for use prior to cooking of readymade dishes, or cream filled products etc.



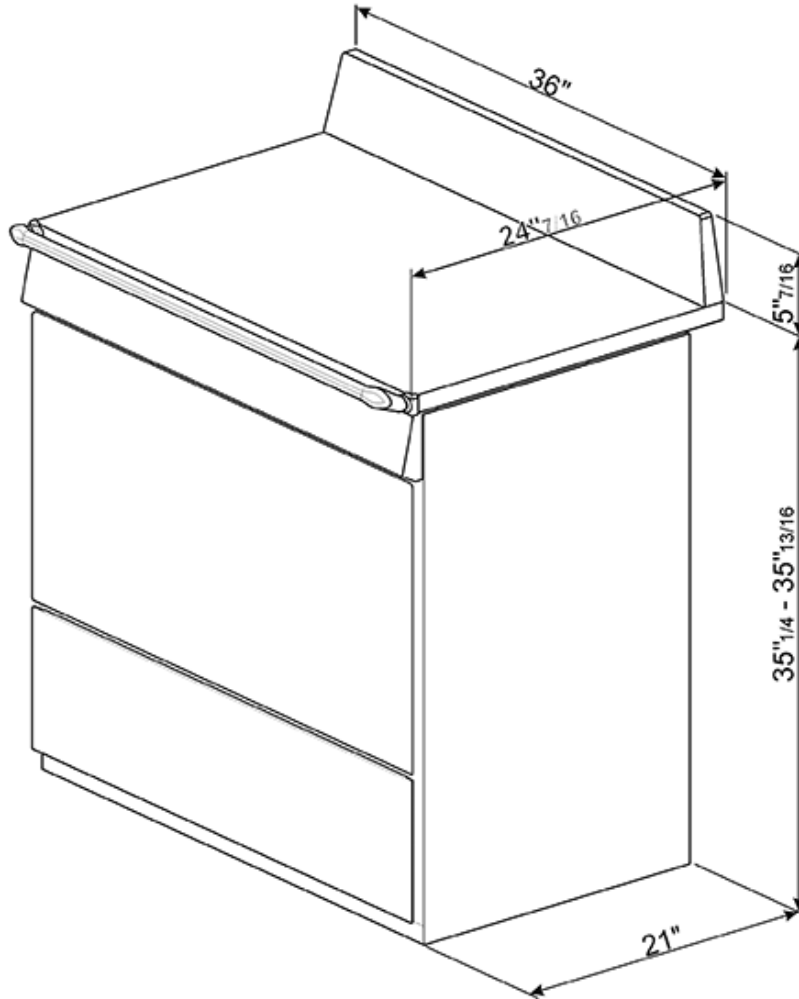
SMEG U.S.A. INC.  
A&D BUILDING  
150 EAST 58th STREET, 7th FLOOR  
NEW YORK, NY, 10155  
Tel. +1 212 265 5378  
Fax +1 212 265 5945



# TRU36GGP

Victoria

36"  
cream  
cooktops type: gas  
oven type: gas



SMEG U.S.A. INC.  
A&D BUILDING  
150 EAST 58th STREET, 7th FLOOR  
NEW YORK, NY, 10155  
Tel. +1 212 265 5378  
Fax +1 212 265 5945