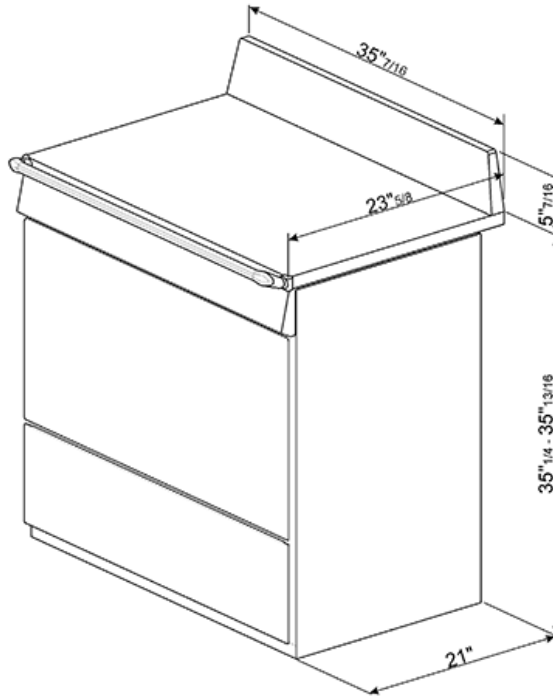


Free-standing Dual Fuel Cavity "Victoria" Range
 Approx. 36" Stainless steel - Glossy Black Enamel
 EAN13: 8017709194987



As awarded by [The Chicago Athenaeum: Museum of Architecture and Design](#) • Traditional Style • Electronic clock with programmable features • Full-width continuous grates • Stainless steel storage drawer beneath the oven • 5 1/3" stainless steel backsplash • **Multifunction electric oven:** • 8 cooking modes • Programmable timer • Adjustable thermostat 120° - 500°F • Air-cooled triple-glazed removable door • **True European convection** • Oven capacity: 4.4 cu. ft. • "Ever-Clean" enameled interior cavity • 4 shelf positions • 2x halogen oven lights • Bake element 3.0kW • Broil element 2.9kW • Convection element 1.55kW • **Gas Rangetop:** • 5 gas burners • Right-rear 6500 BTU • Left-rear 6500 BTU • Right-rear 3400 BTU • Left-front 10000 BTU • Central double-inset super burner 18000 BTU • Heavy-duty cast iron grates • Automatic electric ignition • LP gas conversion kit included • **Safety:** • Gas safety valves • Air cooled door to prevent overheating • Connected nominal power: 240/120V • Voltage rating: @ 240/120V 60Hz • Amp. supply required: 240/120V - 15/13.5Amps • Gas inlet location: back top right • **Accessories included:** • 1 wok ring • 1 moka ring • 1 rotisserie kit • 2 baking trays • 2 chrome shelves

Functions



Main Oven

Options

- KIT1TR9N - Backspalsh black • KITITR90-1 - Black island trim

Versions

- TRU90X - Stainless Steel • TRU90P - Cream