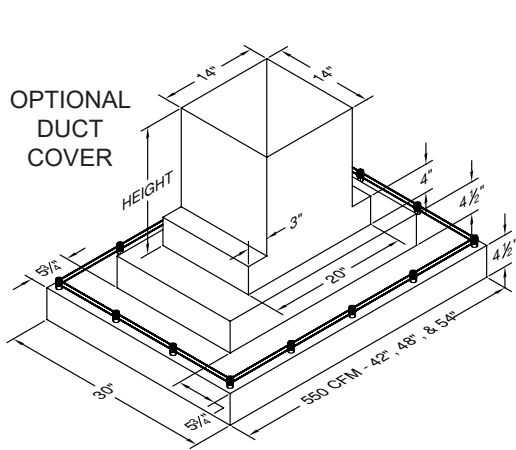
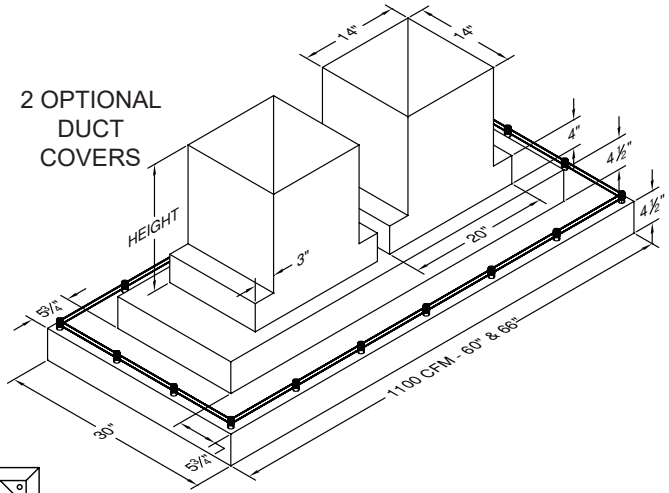


Vent-A-Hood® ISLAND RANGE HOOD SPECIFICATIONS

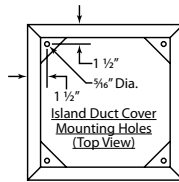
CILH9 Equipped with LED lighting. Not available with heat lamps. Shown with optional duct cover (sold separately). Optional duct covers available in standard and custom sizes. Galley rail included.



CILH9 (550 CFM)

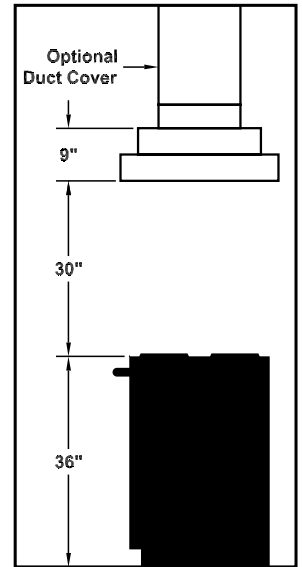


CILH9 (1100 CFM)

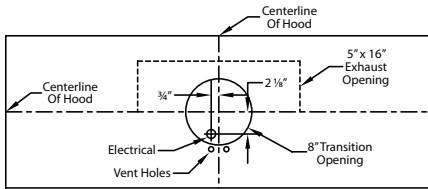


Connection Diagram (42" - 54" Widths)

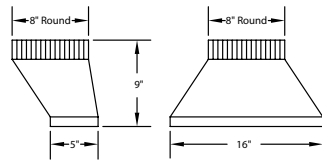
Recommended Mounting Height*



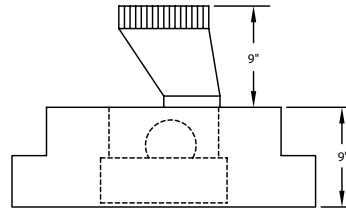
*Recommended mounting height is for optimum performance.



550 CFM T200 Dual Blower (Top View)

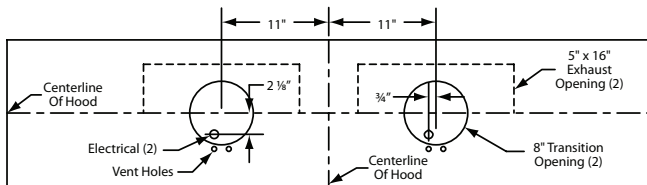


VP565 Transition (Included)

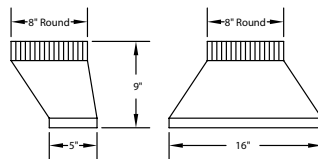


Transition Installed (Side View)

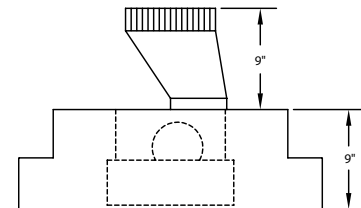
Connection Diagram (60" - 66" Widths)



1100 CFM T2+200 Dual Blower (Top View)



VP565 Transition (2 Included)



Transition Installed (Side View)

Electrical/Mechanical Specifications For Blower Units

Model	Volts	Amps	Hz	RPM	CFM SP@0.0"	Equivalent CFM*	CFM SP@0.1"	CFM SP@0.2"	CFM SP@0.3"	Minimum Round Duct Size	Sones#
T200 Island Dual	115	4.0	60	1550	550	900	507	471	431	8" (50 in. ²)	6.0
Two T200 Island Duals	115	7.5	60	1550	1100	1800	1014	942	862	Two 8" (50 in. ²)	6.0

Hood is available with LED lights (4 lights: 36" - 59", 6 lights: 60" - 66", +2 lights for each 14" if over 66").

* Because the Magic Lung® blower uses centrifugal filtration rather than conventional baffle or mesh filters, the Magic Lung® blower can handle cooking equipment with higher cubic feet per minute (CFM) requirements and can deliver equivalent CFM much more efficiently than other filtration systems. When comparing the Magic Lung® with other blower units made by other manufacturers, use the "Equivalent CFM".

Ratings in accordance with the Standard Test Code by the Energy Systems Laboratory of the Texas Engineering Experiment Station.

SPECIFICATIONS SUBJECT TO CHANGE WITHOUT NOTICE Rev. 0516A

