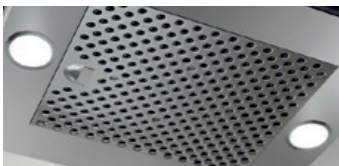




CINGOLI ISLAND

TECHNE SERIES



LED light with dimmer

Designed to be suspended above a kitchen island, Cingoli takes flight with graceful 36" or 42" arched glass wings, which allow natural light to illuminate the surface below. The expansive glass wings are complemented by reflective stainless steel. The beauty of Cingoli is combined with features such as a powerful 600 CFM blower, dishwasher-safe stainless steel microhole filter and high-tech multi-function electronic touch controls that deliver convenience and safety.

Designed for standard ducted installation, Cingoli can also be installed as a recirculating system using the Recirculating Kit, available as an accessory.

Dimensions | Models

36"W x 25 3/16"D x 115/16"H | ECN636S3
CINGOLI 36"

42"W x 25 3/16"D x 115/16"H | ECN642S3
CINGOLI 42"



AMBIENT LIGHT



LED LIGHT



HUSH



DIM-LIGHT



TOP PERFORMANCE

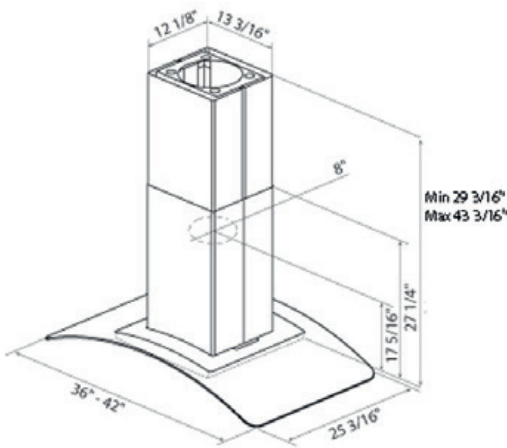


CRS
CFM REDUCTION

FEATURES

Size (in) & Type	36" or 42" wide Island Chimney
Finish	Stainless Steel + Black Glass, Acero inoxidable + Vidrio negro
Controls	Touch Control 3S + Booster
Illumination	2 Premium LED Dimmable Lights
Installation Type	Ducted, Recirculating Kit sold separately
Blower Type	Speed 1, 160 CFMs Speed 2, 280 CFMs Speed 3, 470 CFMs Speed 4, 600 CFMs
Filter Type	Dishwasher- Safe, Stainless Steel Microhole Filter
Noise (sones) *Working speed:	1.2 Sones
Duct Transition	Round 6"/150cms
Electrical	120 Volts, 60 Hertz, 394 Watts, 3.27 Amps

Line Drawing



PLUS



AMBIENT LIGHT

Elica studies on hood lighting leaves no stone unturned. Here we have thought about products not only able to light the cooktop, but the entire kitchen space. And so the hood is transformed: from a kitchen appliance to a true lighting element. Considering the design of Elica hoods, it is not hard to imagine how this option is unique, and represents one extraordinary point of strength for us.



LED LIGHT

LED lighting is undoubtedly the smartest solution in terms of energy saving. Expected life time of over 20,000 hours, represents the most remarkable advantage of LED light bulbs.



HUSH SYSTEM

An exclusive sound deadening technology that effectively reduces sound levels by over 35%, compared to typical range hoods.



DIM-LIGHT

The Dimmer allows you to adjust the brightness of the light as you wish. With Elica, lighting is customized in a discreet, personal and practical way, in order to contribute in creating the perfect kitchen atmosphere.



TOP PERFORMANCE

Excellent performance for models equipped with this plus. High fume capturing capacity with an average aspiration range of 600 CFM's. With a noise level between 60-65 db(A) at maximum speed (reference point varies based on the hood category).



CFM REDUCTION

CFM Reduction System (CRS), is an exclusive feature to Elica hoods, which enables the installer to reduce the maximum blower CFM, to meet local code requirements.

Accessories

Optional Recirculating Kit
CODE: KIT02665 / (36", 42")



Optional Long Chimney Extension
CODE: KIT0100317 / (36", 42")

