

Verona is topped with a straight glass canopy that also serves as an ambiance setting LED display. Select the Cloud White, Deep Blue and Amber color options to best match your kitchen's décor, or choose the Demo mode that

displays all three settings in 10-second intervals. Verona includes Zephyr's DCBL Suppression System® with Bloom™ HD LED light bulbs and LCD display controls. Now available with an optional wireless remote control.



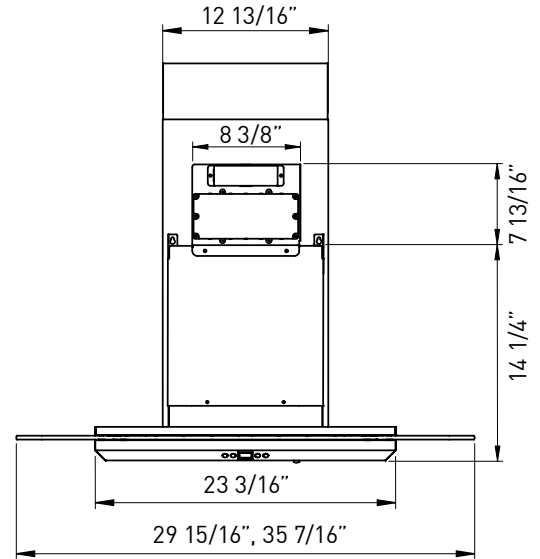
ACT™

Min. - Max. CFM	INTERNAL BLOWER STANDARD	INTERNAL BLOWER with ACT™ AIRFLOW CONTROL TECHNOLOGY™*		
	250 - 715	250 - 590	250 - 390	250 - 290
Min. - Max. Sones	0.8 - 5.8	0.8 - 4.5	0.8 - 3	0.8 - 1.2

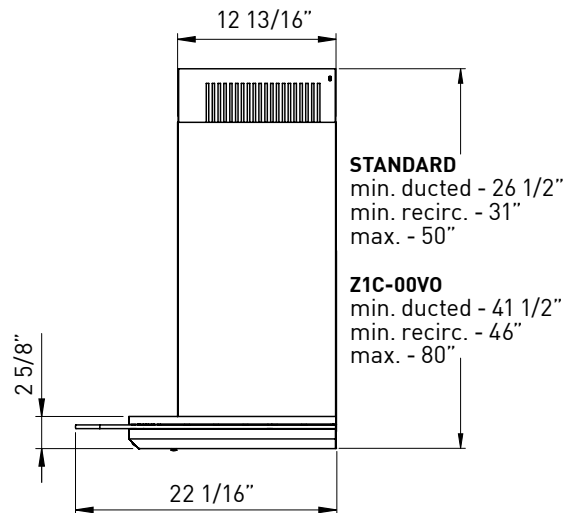
*AIRFLOW CONTROL TECHNOLOGY™ (ACT™) is an exclusive feature built into specific Zephyr hoods which can limit the maximum blower CFM to meet local code requirements.



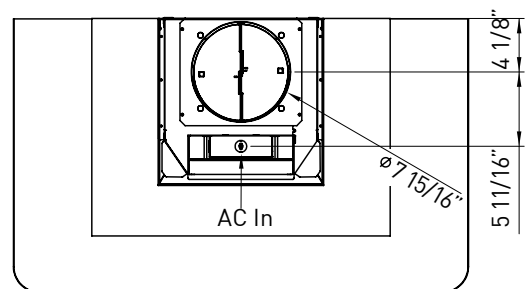
Optional Wireless Remote Control



FRONT




SIDE



TOP

MODEL		ZVO-E30AG	ZVO-M90AG						
Stainless Steel w/ Glass canopy									
Size									
Blower CFM (Min. - Max.)	250 - 715	250 - 715							
Sones (Min. - Max.)	0.8 - 5.8	0.8 - 5.8							
ACT 590 CFM (Min. - Max.)	250 - 590	250 - 590							
ACT 590 Sones (Min. - Max.)	0.8 - 4.5	0.8 - 4.5							
ACT 390 CFM (Min. - Max.)	250 - 390	250 - 390							
ACT 390 Sones (Min. - Max.)	0.8 - 3	0.8 - 3							
ACT 290 CFM (Min. - Max.)	250 - 290	250 - 290							
ACT 290 Sones (Min. - Max.)	0.8 - 1.2	0.8 - 1.2							
FEATURES									
DCBL Suppression System®	Yes	Yes							
ACT™ Technology	Yes	Yes							
Controls	Electronic LCD	Electronic LCD							
Speed Levels	5 + Burst	5 + Burst							
Auto Delay-Off	Yes	Yes							
Lighting	Bloom™ HD LED, 6W x2	Bloom™ HD LED, 6W x2							
Dual-Level Lighting	Yes	Yes							
LED Illuminated Glass	Yes; Cloud White, Deep Blue & Amber	Yes; Cloud White, Deep Blue & Amber							
Filters	Aluminum Mesh x2	Aluminum Mesh x2							
Recirculating Option	Yes	Yes							
Extension Duct Cover Option	Yes, Up to 12' Ceiling	Yes, Up to 12' Ceiling							
ADA Compliant	Yes (with remote accessory)	Yes (with remote accessory)							
DUCT SPECIFICATIONS									
Vertical Internal Blower	8" Round	8" Round							
Horizontal Internal Blower	NA	NA							
AC POWER	120V, 60Hz at Max. 4A	120V, 60Hz at Max. 4A							
OPTIONAL ACCESSORIES									
Wireless Remote Control	RC-0001	RC-0001							
Recirculating Kit	ZRC-00VO	ZRC-00VO							
Extension Duct Cover	Z1C-00VO	Z1C-00VO							
Make-Up Air Kit	MUA008A	MUA008A							
MOUNTING HEIGHT RANGE*		26" - 34"	26" - 34"						
WARRANTY		3 years parts, 1 year labor	3 years parts, 1 year labor						
CEILING HEIGHT		8'	8.5'	9'	9.5'	10'	10.5'	11'	12'
STANDARD DUCT COVER	Ducted Mounting Height*	26" - 33.5"	26" - 34"	26" - 34"	28" - 34"	34" - 34"	NA	NA	NA
	Recirc Mounting Height*	26" - 29"	26" - 34"	26" - 34"	28" - 34"	34" - 34"	NA	NA	NA
EXTENSION DUCT COVER	Ducted Mounting Height*	NA	NA	26" - 30.5"	26" - 34"	26" - 34"	26" - 34"	26" - 34"	28" - 34"
	Recirc Mounting Height*	NA	NA	26" - 26"	26" - 32"	26" - 34"	26" - 34"	26" - 34"	28" - 34"

*Mounting height refers to distance between top of a 36" tall cooking surface and bottom of hood.

DCBL  DCBL Suppression System® offers up to 77% less noise, up to 30% more CFM, and up to 77% more energy efficiency for the most advanced range hood technology.

ACT™ AIRFLOW CONTROL TECHNOLOGY™ (ACT™) is an exclusive feature built into specific Zephyr hoods which can limit the maximum blower CFM to meet local code requirements.

Specifications subject to change, check zephyronline.com for up-to-date information.
Zephyr Ventilation | 2277 Harbor Bay Parkway, Alameda, CA 94502 | 888.880.VENT

SEP17.0101

