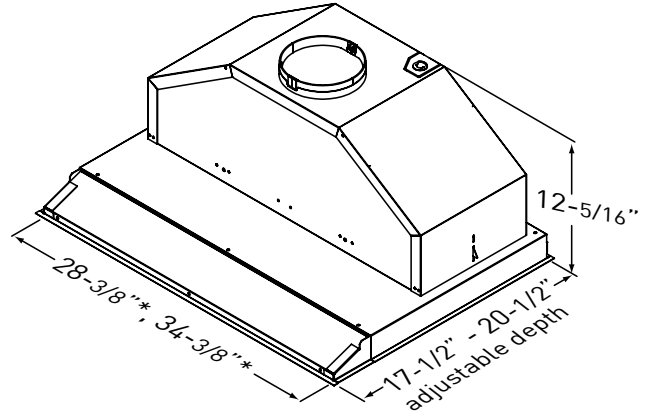


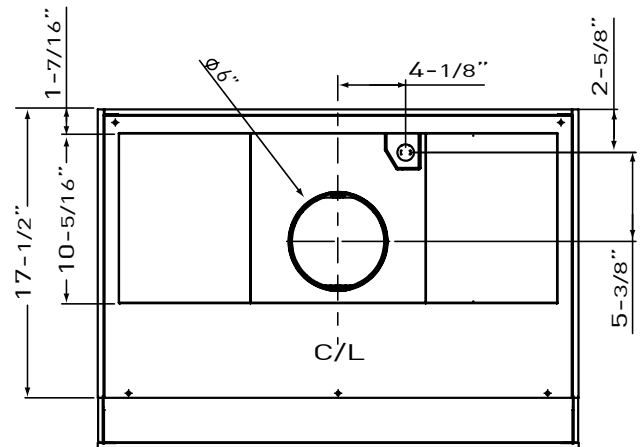
The Vortex one-piece liner leads the way with the industry's only adjustable-depth installation. Vortex is designed to extend up to 3-inches towards the front of the custom hood canopy so you can install it in spaces up to 20-1/2"

deep. Add to this its category-leading 390 CFM, optional recirculation kit and its 36-inch mounting height maximum; Vortex stands tall among the rest.

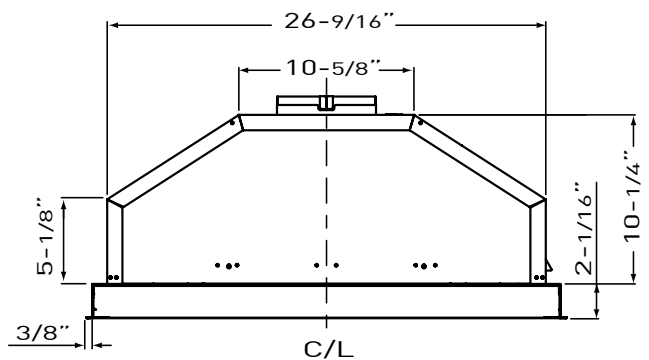


*dimensions do not include 3/8" wide flange around the liner

FRONT



TOP



BACK

MODEL

Stainless Steel	AK9028AS	AK9034AS
Stainless Steel, 290 CFM	AK9028AS290	AK9034AS290

Size	28-3/8" (30")	34-3/8" (36")
Blower CFM (Min. - Max.)	200 - 390	200 - 390
Sones (Min. - Max.)	1.4 - 5	1.4 - 5
290 CFM (Min. - Max.)	180 - 290	180 - 290
290 Sones (Min. - Max.)	1.3 - 3.2	1.3 - 3.2

FEATURES

Controls	Mechanical Slide	Mechanical Slide
Speed Levels	3	3
Auto Delay-Off	No	No
Lighting	Halogen, 35W x2	Halogen, 35W x2
Dual-Level Lighting	Yes	Yes
Filters	Hybrid Baffle x1	Hybrid Baffle x1
Recirculating Option	Yes	Yes
Adjustable Depth	Yes	Yes

DUCT SPECIFICATIONS

Vertical Internal Blower	6" Round	6" Round
Horizontal Internal Blower	NA	NA
400 CFM AC POWER	120V, 60Hz at Max. 3A	120V, 60Hz at Max. 3A
290 CFM AC POWER	120V, 60Hz at Max. 1.5A	120V, 60Hz at Max. 1.5A

OPTIONAL ACCESSORIES

Recirculating Kit	ZRC-9000	ZRC-9000
Bloom™ GU10 LED	ZOB0040	ZOB0040

MOUNTING HEIGHT RANGE*	26" - 36"	26" - 36"
-------------------------------	-----------	-----------

WARRANTY	3 years parts, 1 year labor	3 years parts, 1 year labor
-----------------	-----------------------------	-----------------------------

*Mounting height refers to distance between top of a 36" tall cooking surface and bottom of hood.