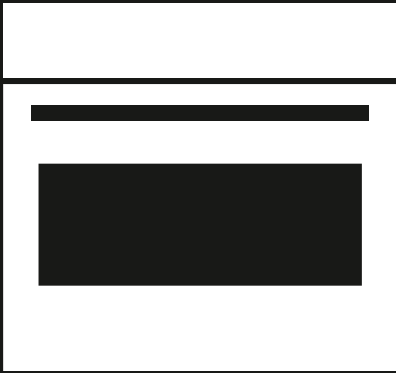


**FULGOR**  
MILANO



**F1SP24\*1**  
**F1SP30\*1**

**ELECTRONIC OVEN**

**FOUR ÉLECTRIQUE**

**HORNO ELECTRÓNICO**

**EN** USE & CARE MANUAL

**FR** MANUEL D'UTILISATION ET D'ENTRETIEN

**ES** MANUAL DE USO & MANTENIMIENTO



**Table of Contents**

	Page		Page
<b>Safety Precautions</b>	<b>4</b>	Self-Cleaning the Oven	23
<b>Safety Instructions</b>	<b>5</b>	Preparing the Oven for Self-Cleaning	23
Safety for the Oven	5	<b>Setting the Self-Cleaning Mode</b>	<b>24</b>
Safety for the Cleaning Oven	5	<b>General Oven Care</b>	<b>25</b>
<b>Features of your Oven</b>	<b>6</b>	How to Use the Cleaning Chart	25
<b>General Oven Information</b>	<b>7</b>	Cleaning Chart	25
Before using your oven	7	<b>Oven Finishes / Cleaning Methods</b>	<b>26</b>
<b>General Oven Tips</b>	<b>8</b>	<b>Oven Door Removal</b>	<b>27</b>
Oven Racks	8	To Remove Door	27
Oven Extendable Rack	9	To Replace Door	27
<b>Electronic control</b>	<b>10</b>	<b>Replacing an Oven Light</b>	<b>28</b>
Control panel description	10	To Replace a Light Bulb	28
Programming time functions	10	<b>Solving Baking and Roasting Problems</b>	<b>29</b>
Setting the time of day	10	<b>Solving Operational Problems</b>	<b>30</b>
Setting the minute minder	10	<b>Fulgor Milano WARRANTY for Home Appliances</b>	<b>31</b>
<b>Cooking with the Convection Oven</b>	<b>11</b>		
Advantages of Convection Cooking	11		
<b>Oven Modes</b>	<b>12</b>		
<b>Cooking functions</b>	<b>13</b>		
<b>QUICK TIPS</b>	<b>14</b>		
<b>Setting an oven function manually</b>	<b>15</b>		
<b>Bake Tips and Techniques</b>	<b>16</b>		
Bake Chart	16		
<b>Convection Bake Tips and Techniques</b>	<b>17</b>		
Convection Bake Chart	18		
<b>Convection Roast Tips and Techniques</b>	<b>19</b>		
Convection Roast Chart	19		
<b>Convection Broil Tips and Techniques</b>	<b>20</b>		
Convection Broil Chart	20		
<b>Broil Tips and Techniques</b>	<b>21</b>		
Broil Chart	21		
<b>Pizza Tips and Techniques</b>	<b>22</b>		
Pizza Chart	22		
<b>Oven Care and Cleaning</b>	<b>23</b>		

**! IMPORTANT**

**General Appliance and Oven  
Safety Precautions**

**Please read all instructions before using this appliance.**

**! WARNING**

When properly cared for, your new oven has been designed to be a safe, reliable appliance.

**Read all instructions carefully before using this oven. These precautions will reduce the risk of burns, electric shock, fire, and injury to persons. When using kitchen appliances, basic safety precautions must be followed, including the following:**

This appliance must be properly installed and grounded by a qualified technician. Connect only to properly grounded outlet. See "Grounding Instructions" found in the Installation Instructions.

- This appliance should be serviced only by a qualified service technician. Contact the nearest authorized service center for examination, repair or adjustment.
- Do not repair or replace any part of the oven unless specifically recommended. Refer service to an authorized servicer.
- Do not operate this appliance if it is not working properly or if it has been damaged, until an authorized servicer has examined it.
- Install or locate this appliance only in accordance with the Installation Instructions.
- Use this oven only as intended by the manufacturer. If you have any questions, contact the manufacturer.
- Do not cover or block any openings on this appliance.
- Use this appliance only for its intended use as described in this manual. Do not use corrosive chemicals, vapors, or nonfood products in this appliance. This type of oven is specifically designed to heat or cook. It is not designed for industrial or laboratory use. The use of corrosive chemicals in heating or cleaning will damage the appliance.
- In the event that personal clothing or hair catches fire, DROP AND ROLL IMMEDIATELY to extinguish flames.

- Do not allow children to use this appliance unless closely supervised by an adult. Children and pets should not be left alone or unattended in the area where the appliance is in use. Never allow children to sit or stand on any part of the oven.

**! CAUTION**

- Do not store items of interest to children above the oven. If children should climb onto the appliance to reach these items, they could be seriously injured.

To reduce the risk of fire in the oven cavity:

1. Do not store flammable materials in or near the oven.
2. Do not use water on a grease fire. Smother fire or use a dry chemical or foam-type extinguisher.
3. It is highly recommended that a fire extinguisher be readily available and highly visible next to any cooking appliance.
4. Do not overcook food. Carefully attend oven if paper, plastic or other combustible materials are placed inside the oven.
5. Do not use the cavity for storage purposes. Do not leave paper products, cooking utensils or food in the cavity when not being used.
6. If materials inside the oven should ignite, keep oven door closed. Turn oven off and disconnect the circuit at the circuit breaker box.
7. Do not block any vent openings.
8. Be sure the blower fan runs whenever the oven is in operation. If the fan does not operate, do not use the oven. Call an authorized service center.
9. Never use the oven to warm or heat a room. This can damage the oven parts.
10. For personal safety, wear proper clothing. Loose fitting or garments with hanging sleeves should never be worn while using this appliance.

**! IMPORTANT**

**General Appliance and Oven  
Safety Instructions**

**Please read all instructions before using this appliance.**


**Safety for the Oven**

- Tie long hair so that it doesn't hang loose.
- Do not touch heating elements or interior surfaces of oven.
- The heating elements may be hot even though they are dark in color. Interior surfaces of an oven become hot enough to cause burns.
- During and after use, do not touch or let clothing or other flammable materials contact the heating elements or the interior surfaces of the oven until they have had sufficient time to cool.
- The trim on the top and sides of the oven door may become hot enough to cause burns.
- Use care when opening the door. Open the door slightly to let hot air or steam escape before removing or replacing food.
- Do not heat unopened food containers. Build-up of pressure may cause the container to burst and cause injury.
- Always place oven racks in desired location while oven is cool. If a rack must be moved while oven is hot, do not let pot holder contact the hot heating elements.
- Use only dry pot holders. Moist or damp pot holders on hot surfaces may result in burns from steam. Do not let pot holder touch hot heating elements. Do not use a towel or other bulky cloth.

**Safety for the Cleaning Oven**

**! CAUTION**

**Do not leave food or cooking utensils, etc., in oven during the Self-Cleaning Mode of operation.**

- Confirm that the door locks and will not open once both  [CLEAN] commands have been activated and the "AUTO LOCK SYMBOL" appears. If the door does not lock, turn the Cook Mode dial to OFF and do not run Self-Cleaning. Phone for Service.
- Do not clean the Door gasket. It is essential for a good seal. Care should be taken not to rub, damage, move or remove the Door gasket.
- Do not use commercial oven cleaners or oven liner protective coatings of any kind in or around any part of the oven.
- Clean only oven parts listed in this manual. (see page 25)
- Before Self-Cleaning the oven, remove the broiler pan, oven racks (only when not made of porcelain), other utensils and excess soft spillage.

**! WARNING**

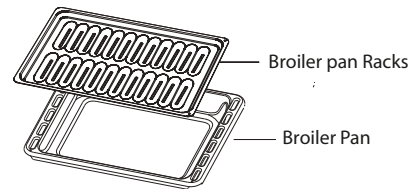
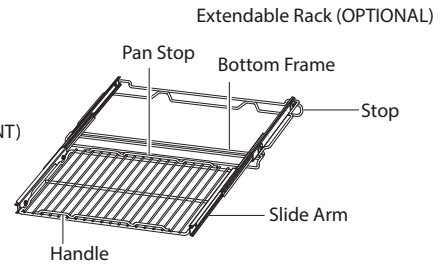
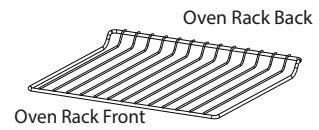
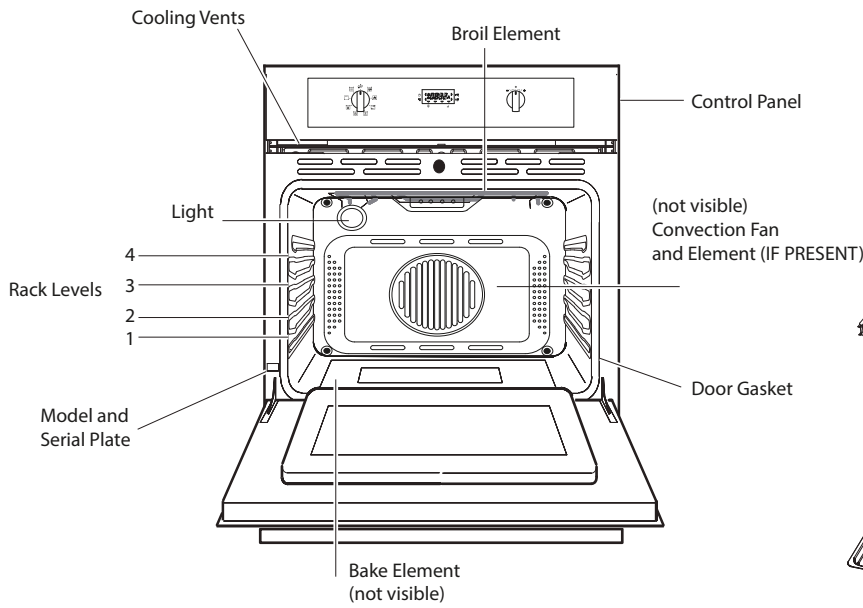
**The California Safe Drinking Water and Toxic Enforcement Act requires businesses to warn customers of potential exposure to substances which are known by the State of California to cause cancer or reproductive harm.**

**The elimination of soil during Self-Cleaning generates some by-products which are on this list of substances.**

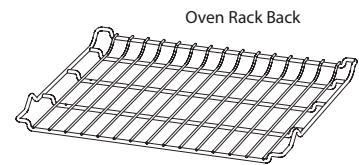
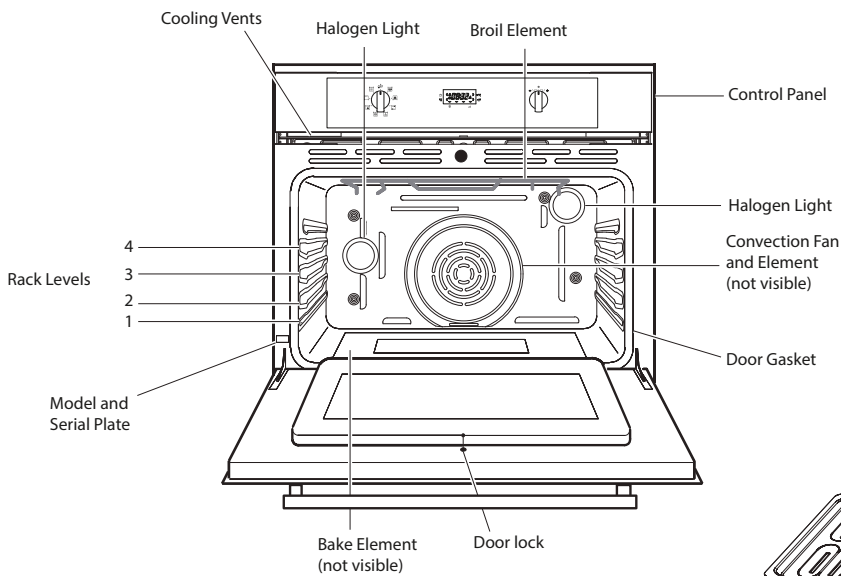
**To minimize exposure to these substances, always operate this oven according to the instructions in this manual and provide good ventilation to the room during and immediately after Self-Cleaning the oven.**

**Features of your Oven**

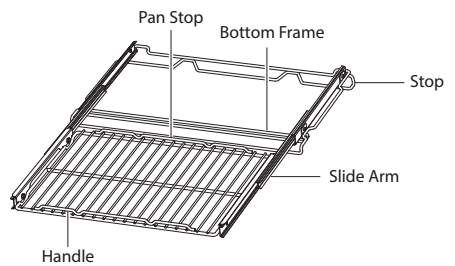
**24"**



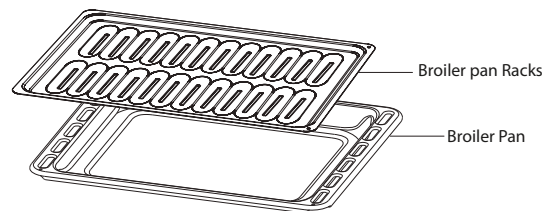
**30"**



Extendable Rack (IF PRESENT)



Oven Rack Front



## General Oven Information

### **CAUTION**

#### Before using your oven

- **Remove all packing and foreign materials from the oven. Any material of this sort left inside may melt or burn when the appliance is used.**
- **Heat the empty appliance to the maximum temperature in order to remove any manufacturing residues which could affect the food with unpleasant odours.**

#### 120 V / 240 V vs. 120 V / 208 V Connection

Most oven installations will have a 120 V / 240 V connection. If your oven is installed with 120 V / 208 V, the preheat time may be slightly longer than with 120 V / 240 V. The oven is designed to assure the same clean time at 120 V / 208 V.

#### High Altitude Baking

When cooking at high altitude, recipes and cooking time will vary from the standard.

#### Power Failure

After the power returns to the oven, the clock displays the time 12.00.

#### E Error Number Codes

If E codes are displayed when the electronic control detects a problem in the oven or in the electronics.

#### Squeak Noise

You may hear a sound from the unit while using the oven due to heat warping, but this is not a malfunction.

#### Flashing Symbols or Numbers

Signal an incomplete action that is in progress (locking the door, preheat, etc.).

#### Beeps

Signal that the set temperature has been reached. Beeps also signal the end of a function or an oven fault.


#### Convection Fan

The convection fan operates during any Convection Mode and Dehydrate Mode.

#### Component Cooling Fan

Activates during any cooking or Self-Cleaning mode to cool inner components and outer door surfaces. This air is exhausted through the vent located above the oven door. It continues to run until components have cooled sufficiently. The cooling fan operates at double speed (or RPM's) in Self-Cleaning and whenever the internal components temperature becomes high.

#### Using Oven Lights

- When the oven is in use, oven lights turn on automatically when a mode is started. Oven lights will turn off automatically when finish and the oven mode is cancelled.
- The lights do not operate in the Self-Cleaning Mode.
-  [LIGHT] Knob to activates the lights in oven.

#### Fahrenheit and Celsius

The temperature is preset in Fahrenheit, however it can be changed to Celsius. (see page 10)

### General Oven Tips

#### Default Settings

The Cooking Modes automatically select a suitable temperature. These can be changed when a different one is needed.

#### Oven Condensation and Temperature

- It is normal for a certain amount of moisture to evaporate from the food during any cooking process. The amount depends on the moisture content of the food. The moisture may condense on any surface cooler than the inside of the oven, such as the control panel.
- Your new oven has an electronic temperature sensor that allows maintaining an accurate temperature. Your previous oven may have had a mechanical thermostat that drifted gradually over time to a higher temperature. It is normal that you may need to adjust your favorite recipes when cooking in a new oven.

#### Operational Suggestions

- Use the Cooking Charts as a guide.
- Do not set pans or any weight on the open oven door.
- Use the interior oven lights to view the food through the oven door window rather than opening the door frequently.

#### Utensils

- Glass baking dishes absorb heat. Reduce oven temperature 25 °F (15 °C) when baking in glass.

- Use pans that give the desired browning. The type of finish on the pan will help determine the amount of browning that will occur.
- Shiny, smooth metal or light non-stick / anodized pans reflect heat, resulting in lighter, more delicate browning. Cakes and cookies require this type of utensil.
- Dark, rough or dull pans will absorb heat resulting in a browner, crisper crust. Use this type for pies.
- For brown, crisp crusts, use dark non-stick / anodized or dark, dull metal utensils or glass bake ware. Insulated baking pans may increase the length of cooking time.
- Do not cook with the empty Broiler Pan in the oven, as this could change cooking performance. Store the Broiler Pan outside of the oven.

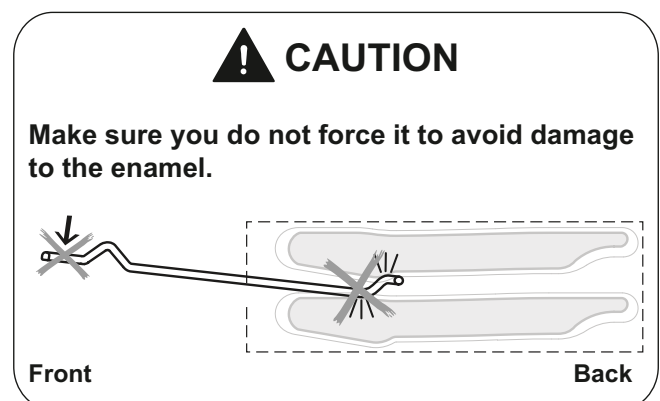
#### Oven Racks

- The oven has rack guides at six levels as shown in the illustration.
- Rack positions are numbered from the bottom rack guide (#1) to the top (#4).
- Check Cooking Charts for best rack positions to use when cooking.
- Each level guide consists of paired supports formed in the walls on each side of the oven cavity.
- Always be sure to position the oven racks before turning on the oven. Make sure that the racks are level once they are in position.

**Please refer to illustration on Page 6 if there is any question as to which side is the front or top of the rack.**

- The racks are designed to stop when pulled forward to their limit.

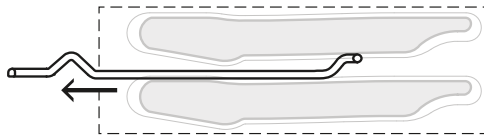
**CAUTION!** Never use aluminum foil to cover the oven racks or to line the oven. It can cause damage to the oven liner if heat is trapped under the foil.





**To remove Oven Rack from the oven:**

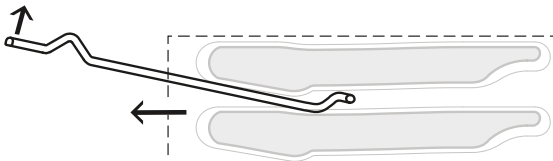
1. Pull rack forward



Front

Back

2. Lift rack up at front and then remove it

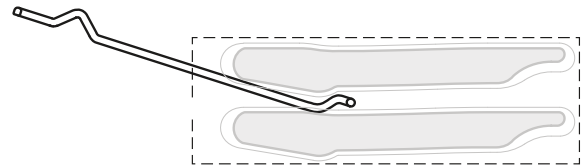


Front

Back

**To replace an Oven Rack:**

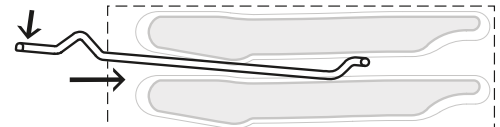
1. Place rear of rack between rack level guides



Front

Back

2. While lifting front of rack, slide rack in all the way while lowering the front



Front

Back

**Oven Extendable Rack**

- The Extendable Rack allows for easier access to cooking foods. It extends beyond the standard flat rack bringing the food closer to the user.

**! CAUTION**

When the rack is outside of the oven, slide arms do not lock. They could unexpectedly extend if the rack is carried incorrectly. **Extending slide arms could cause injury. Rack should only be held or carried by grasping the sides.**

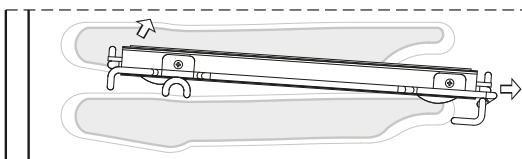
**NOTE:** Always remove the Extendable Rack before Self-Cleaning the oven.

**CAUTION!** To avoid burns, pull rack all the way out and lift pan above handle when transferring food to and from oven.

Please refer to illustration on Page 6 if there is any question as to which side is the front of the rack.

**To remove Extendable Rack from the oven:**

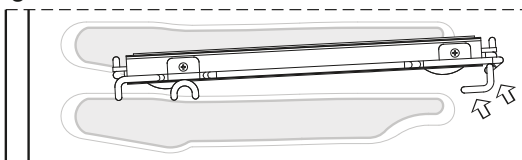
1. Lift of rack slightly and push it until the stop release



Front

Back

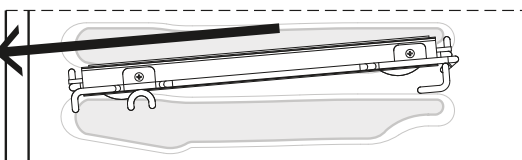
2. Raise back of rack until frame and stop clear rack guide



Front

Back

3. Pull rack down and out

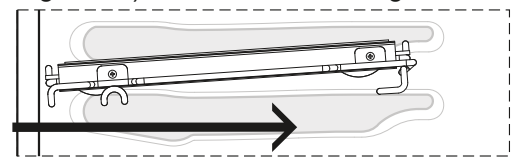


Front

Back

**To replace an Extendable Rack:**

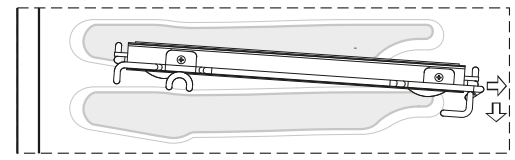
1. Grasp rack firmly on both sides. Place rack (including frame) above desired rack guide



Front

Back

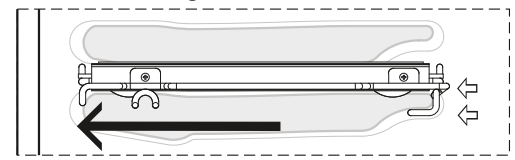
2. Push all the way in until the back of the rack drops into place



Front

Back

3. Pull both sections forward until stops activate. Rack should be straight and flat, not crooked



Front

Back

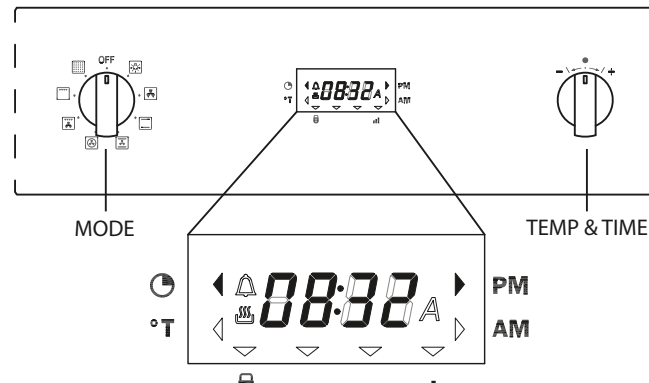
## Electronic control

### Control panel description

The oven control panel is made with one display and two knobs.

- Time & Temperature display.
- Time & Temperature knob (Push & Shuttle).
- Mode (oven functions) knob.

The push & shuttle knob is mainly for clock or temperature setting and automatic time functions programming. Select the desired item by pushing the knob.



### Programming time functions

At every power-up, the control shows the time of day blinking, set at 12:00<sup>AM</sup> as the initial value. The time increases every minute. The only possible action is the "Clock Regulation", all other oven operations are inhibited.

In general, turn the Temp/Time selector left or right in order to edit the values and modify them by steps; hold the knob on the left or right to fasten the decrease/increase operations.

### Setting the time of day

The time of day is always displayed in the 12:00<sup>AM/PM</sup> hours format. Hours and minutes are set separately. In order to set the time of day, mode selector must be in ZERO position, the -/+ knob acts on the time of day by default.

- Turn the selector left/right, the hours flash.
- Modify the flashing hours value turning the selector left/right.
- Push the Temp&Time selector to switch back and forth between hours and minutes.
- Modify the flashing minutes turning left/right.
- After a few seconds the whole time of day value starts flashing: wait until the new time of day is steady.

Push the knob to toggle between the time of day and the minute minder and check the set values. The clock is selected by default while the symbol appears when the minute minder is displayed.

### Setting the minute minder

When the symbol is displayed, turn the knob left/right in order to set the timer value.

The standard value is 30 minutes, it's possible to modify it in the range between 0 and 240 minutes.

This timer has no influence on the oven activities and can be set also when the oven is off. The time of day is displayed with priority in any case, the symbol shows the minute minder is active.

When the time expires, the symbol flashes and the buzzer sounds a warning sequence (two short beeps repeated every 3 seconds) to recall the user attention. Push the knob to stop it.

The buzzer stops in any case after a time-out.

### Buzzer volume

The buzzer volume can be set turning the Time&Temp knob to the left when the control is in light mode. At any detents the buzzer sounds a double beep, selecting the volume out of three available levels. The buzzer must always be silent between 22:00 and 8:00.

### Temperature Unit Measurement

To select Fahrenheit or Celsius press +/- knob twice, when the display shows F or C turn +/- knob to change the unit on measurement, press again +/- knob to confirm.

## Cooking with the Convection Oven

In a conventional oven, the heat sources cycle on and off to maintain an average temperature in the oven cavity.

As the temperature gradually rises and falls, gentle air currents are produced within the oven. This natural convection tends to be inefficient because the currents are irregular and slow. In this convection system, the heat is “conveyed” by a fan that provides continuous circulation of the hot air. This European Convection system provides state-of-the-art engineering and advanced design to create the finest convection oven. In standard convection ovens, a fan simply circulates the hot air around the food.

The system is characterized by the combination of an additional heating element located around the convection fan and the venting panel that distributes heated air in three dimensions: along the sides, the top and the full depth of the oven cavity. This European Convection system aids in maintaining a more even oven temperature throughout the oven cavity.

The circulating air aids in speeding up the baking process and cooks the food more evenly. By controlling the movement of heated air, convection cooking produces evenly browned foods that are crispy on the outside yet moist inside. Convection cooking works best for breads and pastries as well as meats and poultry. Air-leavened foods like angel food cakes, soufflés and cream puffs rise higher than in a conventional oven. Meats stay juicy and tender while the outside is flavourful and crisp.

By using European Convection, foods can be cooked at a lower temperature and cooking times can be shorter.

When using this mode, the standard oven temperature should be lowered by 25 °F (15 °C).

Foods requiring less cooking time should be checked slightly earlier than normal. For best results, foods should be cooked uncovered, in low-sided pans to take advantage of the forced air circulation. When using the Convection Roast mode, the standard oven temperature does not need to be reduced.

### Advantages of Convection Cooking

- Even baking, browning and crisping are achieved.
- During roasting, juices and flavors are sealed in while the exterior is crisp.
- Yeast breads are lighter, more evenly textured, more golden and crustier.
- Air-leavened foods such as cream puffs, soufflés and meringues are higher and lighter.
- Baking on multiple racks at the same time is possible with even results.
- Multiple-rack baking saves time.
- Prepare whole meals at once with no flavor transfer.
- Dehydrates herbs, fruits and vegetables.
- Requires no specialized bake ware.
- Saves time and energy.
- Convection broiling allows for extraordinary grilling with thicker cuts of food.

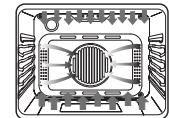
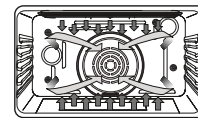
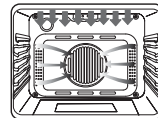
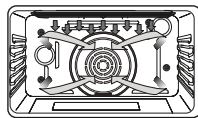
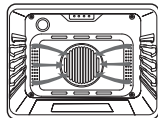
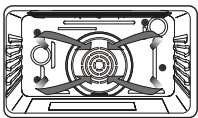
**Oven Modes**

The following illustrations give an overview of what happens in the oven with each mode setting. The arrows represent the location of the heat sources during specific modes. The lower element is concealed under the oven floor.

In maximum setting time for heating, it is until 11 hours 59 minutes.

After the heating end, "End" is displaying it to a display:

- Time is united by + [INC] or - [DEC], and additional heating can be performed.
- Change of a function can be performed by Cooking Mode Dial.



 **Convection Bake (MULTI CONV BAKE)**

Set temperature:  
from 120 °F (50 °C) to 480 °F (250 °C)  
(preset position 375 °F (190 °C))

Convection Bake cooks with heat from ring elements behind the back wall of the oven. The heat is circulated throughout the oven by the Convection Fan.

 **Convection Broil (CONV BROIL)**

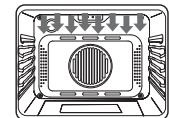
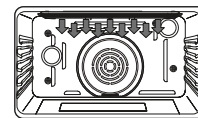
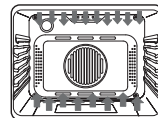
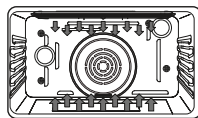
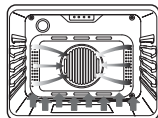
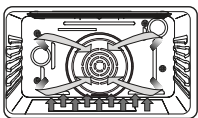
Set temperature:  
from 120 °F (50 °C) to 485 °F (250 °C)  
(preset position 445 °F (230 °C))

Convection Broil combines the intense heat from the upper element with the heat circulated by the Convection Fan.

 **Convection Roast (CONV ROAST)**

Set temperature:  
from 120 °F (50 °C) to 480 °F (250 °C)  
(preset position 375 °F (190 °C))

Convection Roast uses the upper and lower elements and Convection Fan.



 **Pizza (MULTI PIZZA)**

Set temperature:  
from 120 °F (50 °C) to 480 °F (250 °C)  
(preset position 375 °F (190 °C))

Pizza is a special cooking mode with heated air. The lower elements cycle to cook pizza.

 **Bake (BAKE)**

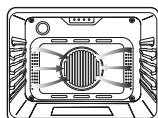
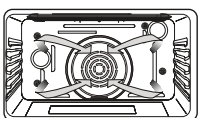
Set temperature:  
from 120 °F (50 °C) to 485 °F (250 °C)  
(preset position 410 °F (210 °C))

Bake cooks with heated air. Both the upper and lower elements cycle to maintain the oven temperature.

 **Broil (BROIL)**

Set temperature:  
from 120 °F (50 °C) to 485 °F (250 °C)  
(preset position 445 °F (230 °C))

Broiling uses intense heat radiated from the upper element.












**Defrost (CONV)**

Defrost does not use any heating element, but only the Convection Fan is used to defrost foods.

## Cooking functions

Each type of oven is provided for various cooking systems. A system can be selected by bringing the pointer of knob to the relating symbol.

Icon	Mode Description	Used for...
<b>OFF</b>	All the cooking modes are OFF and the oven heating elements are OFF.	---
	The light is on only.	---
	In this mode only the internal oven convection fan is ON i.e. there is no oven heating	This mode is used to defrost deepfrozen food.
	In this mode both upper (top) and lower (bottom) oven heating elements are used to heat the oven air. However, no fan is used to circulate the heat.	This is the traditional mode of cooking on one shelf. Therefore only one rack can be used when selecting the Bake mode. Ideal for Appetizers, Biscuits, Coffee Cakes and Cookies.
	The Convection Roast mode uses the upper (top) oven heating element, the lower (bottom) heating element and the convection fan inside the oven.	Ideal for the roasting of whole chickens or turkey and pizza. It can also be used for baking-cooking Appetizers, Biscuits, Coffee Cakes and Cookies on one or more levels.
	The Convection Bake mode uses the circular or third heating element hidden behind the baffle at the back wall of the oven. The heat is circulated throughout the oven by the convection fan.	Consequently different foods can be cooked simultaneously (maximum three levels) and is suitable for preparing a complete dinner (small portions). Mixing of flavours is avoided and an important energy saving is obtained.
	The Convection Down mode uses the lower (Bottom) heating element and internal fan.	Useful for soufflés, pizzas and pastry dishes.
	Suitable for preparing a complete dinner (small portions). Mixing of flavours is avoided and an important energy saving is obtained.	Ideal for steak, hamburgers, chicken quarters or chicken breasts.
	The Grill mode uses intense heat radiated from the upper (top) heating element.	Ideal for preparing toast, browning and grilling.
	The standard time is 1.30 h and can be changed.	PYRO or self-cleaning mode. Here the oven is automatically cleaned by burning-off cooking residues at high temperature (about 460 °C) from 1h to 3h. During the self-cleaning cycle all fumes produced are filtered and then expelled to ambient.

**QUICK TIPS**

**CONVECTION COOKING**

**About Convection Cooking**

Standard cooking modes (Bake, Broil, etc.) use heat radiated from one or more elements to cook food. Convection modes use both heat from the elements and fans in the back of the oven to continuously circulate the heated air throughout the oven.

**Advantages of Convection Cooking**


- Even baking, browning and crisping.
- Juices and flavors are sealed in.
- Air-leavened foods such as cream puffs, soufflés, meringues and breads are higher and lighter.
- Multiple rack cooking.
- No special bakeware required.
- Saves time and energy.

**DO NOT use Convection Bake for meats. Use Convection Roast instead.**

Mode	Use this mode for	For Best results	Quick Cooking Tip
<b>Convection Bake</b>	<ul style="list-style-type: none"> <li>• Large quantities of food on multiple racks.</li> <li>• Pastries, breads, snack, foods and appetizers.</li> </ul>	<ul style="list-style-type: none"> <li>• Use low-sided, uncovered pans.</li> <li>• Center baking sheets side to side on the oven rack.</li> </ul>	<ul style="list-style-type: none"> <li>• Reduce recipe temperature by 25 °F (15 °C).</li> <li>• Check food for doneness early: <b>If recipe call for Check food</b> 1-15 min. 3 min. early 16-30 min. 5 min. early 31 min.-1hr. 10 min. early</li> </ul>
<b>Convection Broil</b>	<ul style="list-style-type: none"> <li>• Thicker, tender, cuts of meat, poultry and fish.</li> <li>• <b>DO NOT</b> use this mode for browning breads or casseroles.</li> </ul>	<ul style="list-style-type: none"> <li>• Meats should be at least 1" thick.</li> </ul>	<ul style="list-style-type: none"> <li>• No conversion from standard Broil is necessary.</li> <li>• Refer to Convection Broil Chart in this Manual for cooking times.</li> </ul>
<b>Convection Roast</b>	<ul style="list-style-type: none"> <li>• Large, tender cuts of meat and poultry such as roast or whole chicken.</li> </ul>	<ul style="list-style-type: none"> <li>• <b>DO NOT</b> cover meat or use cooking bags.</li> <li>• Refer to Convection Roast Chart in this Manual for cooking times.</li> </ul>	<ul style="list-style-type: none"> <li>• <b>DO NOT</b> change recipe temperature.</li> </ul>

## Setting an oven function manually

Turn the mode knob into the desired position, the clock display shows On for a few seconds. The oven will work for a maximum time (12hours). Depending on the oven model, the number and type of available functions can be different.

If the clock display function is active the symbol  appears (it doesn't appear in light position).

Turn the Temp & Time selector and set the desired oven temperature. The control offers a PRESET temperature per every cooking mode or a full range between MIN and MAX to be adjusted by hand. Check the value on the display after having selected the temperature.

The temperature appears on the clock display when the Time & Temp selector is pushed or when a new function has just been selected.

As soon as the oven starts, the preheat led (indicated by the bars) on the bottom of the clock display starts flashing and becomes steadily on when the preheat ends with a beep.

Turn the mode selector to ZERO (OFF) position to stop any activity, the display will show **OFF** for a few seconds.

### Setting an automatic oven function

After having selected a function as described before, the control can be programmed in order to set timed cooking activities. The time program remains active even if the function is changed (exception: pyrolyse). The following possibilities are available:

- 1 Timed cooking setting the cooking time (duration).
- 2 Timed cooking setting the end of cooking time (stop time).
- 3 Delayed cooking setting duration and stop time.


Push the knob in order to toggle between cooking duration (cook time) and end of cooking time (stop time): the words "dur" or "End" are displayed respectively.

Turn the knob left/right to edit the duration or the stop time when the proper word is displayed:

1. When the word **dur** is displayed, the control shows **30'** as the standard cooking duration. Turn the knob left/right in order to set the actually desired cooking time in a range between 0 and 240 minutes. The display will flash **dur** and its value alternatively for a few seconds then it will show the time of day, the pot symbol and the **A** letter to indicate that a timed cooking is active. The end of cooking time is updated automatically.


2. When the word End is displayed, the control shows the current time as the initial stop time. In order to set the actually desired end of cooking time in a 24 hours range:

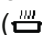
- Turn the knob left/right, the hours flash.
- Modify the flashing hours value turning the knob left/right.
- Push the knob to switch back and forth between hours and minutes or wait a few seconds until the minutes flash.
- Modify the flashing minutes value the knob left/right.
- Wait until the new End of Cooking time value stops flashing.

The display will flash End and its value alternatively for a few seconds then it will show the time of day, the  symbol and the **A** letter to indicate that a timed cooking is active. The cooking duration is updated automatically.

3. Repeat the same operations of point 1 then push the knob until End appears. the control shows the "current time + cooking time" as the initial stop time. It's not possible to lower the end of cooking time below this value. In order to set the actually desired end of cooking time in a 24 hours range:

- Turn the knob left/right, the hours flash.
- Modify the flashing hours value turning the knob left/right.
- Push the knob to switch back and forth between hours and minutes or wait a few seconds until the minutes flash.
- Modify the flashing minutes value turning the knob left/right.
- Wait until the new End of Cooking time value stops flashing.

The display will flash End and its value alternatively for a few seconds then it will show the time of day and the **A** letter to indicate that a delayed cooking has been programmed. As soon as the delay time expires, the oven starts and works for the programmed cooking time. The  symbol is displayed.

At the end of any timed activity the control shuts down the oven, the buzzer sounds a warning sequence (two short beeps repeated every 3 seconds) to recall the user attention, for a maximum time and makes the time related icons (, **A**) flash on the display. Push the knob to silent the buzzer and reset the warning message.

Turn the mode selector to ZERO (OFF) position before reusing the oven.



**Bake Tips and Techniques**

Baking is cooking with heated air. Both upper and lower elements in the oven are used to heat the air but no fan is used to circulate the heat.

Follow the recipe or convenience food directions for baking temperature, time and rack position. Baking time will vary with the temperature of ingredients and the size, shape and finish of the baking utensil.

**General Guidelines**

- For best results, bake food on a single rack with at least 1" - 1 ½" (2,5 - 3cm) space between utensils and oven walls.
- Use one rack when selecting the bake mode.
- Check for doneness at the minimum time.
- Use metal bake ware (with or without a non stick finish), heatproof glass, glass-ceramic, pottery or other utensils suitable for the oven.

- When using heatproof glass, reduce temperature by 25°F (15°C) from recommended temperature.
- Use baking sheets with or without sides or jelly roll pans.
- Dark metal pans or nonstick coatings will cook faster with more browning. Insulated bake ware will slightly lengthen the cooking time for most foods.
- Do not use aluminum foil or disposable aluminum trays to line any part of the oven. Foil is an excellent heat insulator and heat will be trapped beneath it. This will alter the cooking performance and can damage the finish of the oven.
- Avoid using the opened door as a shelf to place pans.
- Tips for Solving Baking Problems is found on Page 30.

**Bake Chart**

FOOD ITEM	RACK POSITION	TEMP. °F (°C) (PREHEATED OVEN)	TIME (MIN)
<b>Cake</b>			
Cupcakes	2	350 (175)	17-19
Bundt Cake	1	350 (175)	37-43
Angel Food	1	350 (175)	35-39
<b>Pie</b>			
2 crust, fresh, 9"	2	375-425 (190-220)	45-55
2 crust, frozen fruit, 9"	2	375 (190)	68-78
<b>Cookies</b>			
Sugar	2	350-375 (175-190)	6-11
Chocolate Chip	2	350-375 (175-190)	8-13
Brownies	2	350 (175)	29-36
<b>Breads</b>			
Yeast bread loaf, 9x5	2	375 (190)	18-22
Yeast rolls	2	375-400 (190-205)	12-15
Biscuits	2	375-400 (190-205)	11-15
Muffins	2	425 (220)	15-19
<b>Pizza</b>			
Frozen	2	400-450 (205-235)	23-26
Fresh	2	425-450 (220-235)	12-15



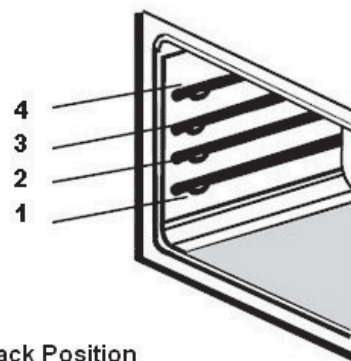
 **Convection Bake Tips and Techniques**

Reduce recipe baking temperatures by 25°F (15°C).

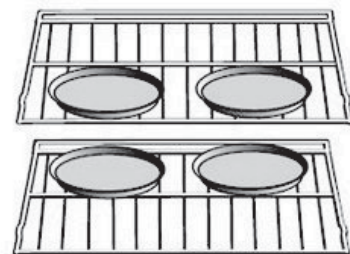
- For best results, foods should be cooked uncovered, in low-sided pans to take advantage of the forced air circulation. Use shiny aluminum pans for best results unless otherwise specified.
- Heatproof glass or ceramic can be used. Reduce temperature by another 25°F (15°C) when using heatproof glass dishes for a total reduction of 50°F (30°C).
- Dark metal pans may be used. Note that food may brown faster when using dark metal bake ware.
- The number of racks used is determined by the height of the food to be cooked.
- Baked items, for the most part, cook extremely well in convection. Don't try to convert recipes such as custards, quiches, pumpkin pie, or cheesecakes, which do not benefit from the convection-heating process. Use the regular Bake mode for these foods.
- Multiple rack cooking for oven meals is done on rack positions 1, 2 and 3. All four racks can be used for cookies, biscuits and appetizers.
  - 2 Rack baking: Use positions 1 and 3.
  - 3 rack baking: Use positions 2, 3 and 4.
  - When baking four cake layers at the same time, stagger pans so that one pan is not directly above another. For best results, place cake son front of upper rack and back of lower rack (See graphic at right). Allow 1" - 1 ½" (2,5 - 3cm).air space around pans.
- Converting your own recipe can be easy. Choose a recipe that will work well in convection.
- Reduce the temperature and cooking time if necessary. It may take some trial and error to achieve a perfect result. Keep track of your technique for the next time you want to prepare the recipe using convection.
- Tips for Solving Baking Problems are found on Page 30.

**Foods recommended for Convection Bake mode:**

- Appetizers Biscuits Coffee Cakes
- Cookies (2 to 4 racks) Yeast Breads
- Cream Puffs
- Popovers
- Casseroles and One-Dish Entreés
- Oven Meals (rack positions 1, 2, 3)
- Air Leavened Foods (Soufflés, Meringue, Meringue-Topped Desserts, Angel Food Cakes, Chiffon Cakes)



Rack Position



Multiple Rack Pan Placement

**Quick and easy recipe tips**

Converting from standard **BAKE** to **CONVECTION BAKE**:

- Reduce the temperature by 25°F (15°C).
- Use the same baking time as Bake mode if under 10 to 15 minutes.
- Foods with a baking time of less than 30 minutes should be checked for doneness 5 minutes earlier than in standard bake recipes.
- If food is baked for more than 40 to 45 minutes, bake time should be reduced by 25%.

*Convection Bake Chart*

Reduce standard recipe temperature by 25°F(15°C) for Convection Bake.  
Temperatures have been reduced in this chart.

FOOD ITEM	RACK POSITION	TEMP. °F (°C) (PREHEATED OVEN)	TIME (MIN)
<b>Cake</b>			
Cupcakes	2	325 (160)	17-19
Bundt Cake	1	325 (160)	37-43
Angel Food	1	325 (160)	35-39
<b>Pie</b>			
2 crust, fresh, 9"	2	350-400 (175-205)	45-55
2 crust, frozen fruit, 9"	2	350 (175)	68-78
<b>Cookies</b>			
Sugar	2	325-350 (160-175)	6-11
Chocolate Chip	2	325-350 (160-175)	8-13
Brownies	2	325 (160)	29-36
<b>Breads</b>			
Yeast bread, loaf, 9x5	2	350 (175)	18-22
Yeast rolls	2	350-375 (175-190)	12-15
Biscuits	2	350-375 (175-190)	11-15
Muffins	2	400 (205)	15-19
<b>Pizza</b>			
Frozen	2	375-425 (190-220)	23-26
Fresh	2	400-425 (205-220)	12-15

The TEMP. and TIME in the chart above are for the 240 V setting.  
This chart is a guide. Follow recipe or package directions and adjust temperatures / time appropriately.



**Convection Roast Tips and Techniques**

- Preheat for Convection Roast.
- Roast in a low-sided, uncovered pan.
- When roasting whole chickens or turkey, tuck wings behind back and loosely tie legs with kitchen string.
- Use the 2-piece broil pan for roasting uncovered.
- Use the probe or a meat thermometer to determine the internal doneness on “END” temperature (see cooking chart).
- Double-check the internal temperature of meat/poultry by inserting meat thermometer into another position.
- When roasting a large roast or turkey, roasting pan may need to be rotated during roasting time. This will allow for more even cooking. Large birds may also need to be covered with foil (and pan roasted) during a portion of the roasting time to prevent over-browning.

**Quick and easy recipe tips**

Converting from standard **BAKE** to **CONVECTION ROAST**:

- Temperature does not have to be lowered.
- Roasts, large cuts of meat and poultry generally take 10-20% less cooking time. Check doneness early.
- Casseroles or pot roasts that are baked covered in **CONVECTION ROAST** will cook in about the same amount of time.
- The minimum safe temperature for stuffing in poultry is 165°F (75°C).
- After removing the item from the oven, cover loosely with foil for 10 to 15 minutes before carving.
- While covered, roast temperatures increase by 5° to 10°F (3° to 6°C).

**Convection Roast Chart**

MEATS	WEIGHT (lb)	OVEN TEMP. °F (°C)	RACK POSITION	TIME (min. per lb)	INTERNAL TEMP. °F (°C)
<b>Beef</b>					
Rib Roast	4-6	325 (160)	2	24-30 27-33	145 (63) medium rare 160 (71) medium
Rib Eye Roast, (boneless)	4-6	325 (160)	2	22-30 27-33	145 (63) medium rare 160 (71) medium
Rump, Eye, Tip, Sirloin (boneless)	3-6	325 (160)	2	22-28 27-33	145 (63) medium rare 160 (71) medium
Tenderloin Roast	2-3	425 (220)	2	15-25	145 (63) medium rare
<b>Pork</b>					
Loin Roast (boneless or bone-in)	5-8	350 (175)	2	20-30	160 (71) medium
Shoulder	3-6	350 (175)	2	25-35	160 (71) medium
<b>Poultry</b>					
Chicken whole	3-4	375 (190)	2	18-21	180 (82)
Turkey, not stuffed	12-15	325 (160)	1	10-14	180 (82)
Turkey, not stuffed	16-20	325 (160)	1	9-11	180 (82)
Turkey, not stuffed	21-25	325 (160)	1	6-10	180 (82)
Turkey Breast	3-8	325 (160)	1	15-20	170 (77)
Comish Hen	1-1 ½	350 (175)	2	45-75 total	180 (82)
<b>Lamb</b>					
Half Leg	3-4	325 (160)	2	25-30 30-35	160 (71) medium 170 (77) well
Whole Leg	6-8	325 (160)	1	25-30 30-35	160 (71) medium 170 (77) well

The TEMP. and TIME in the chart above are for the 240 V setting. This chart is a guide. Follow recipe or package directions and adjust temperatures/time appropriately.

 **Convection Broil Tips and Techniques**

- Place rack in the required position needed before turning on the oven.
- Use Convection Broil mode with the **oven door closed**.
- Do not preheat oven.
- Use the 2-piece broil pan.
- Turn meats once halfway through the cooking time (see convection broil chart).

**Convection Broil Chart**

FOOD AND THICKNESS	RACK POSITION	BROIL SETTING °F (°C)	INTERNAL TEMP. °F (°C)	TIME SIDE 1 (MIN.)*	TIME SIDE 2 (MIN.)*
<b>Beef</b>					
Steak (1-½" or more)					
Medium rare	2	450 (235)	145 (65)	12-14	11-13
Medium	2	450 (235)	160 (71)	15-17	13-15
Well	2	450 (235)	170 (77)	18-20	16-17
Hamburgers (more than 1")					
Medium	3	550 (290)	160 (71)	9-11	5-8
Well	3	550 (290)	170 (77)	11-13	8-10
<b>Poultry</b>					
Chicken Quarters	3	450 (235)	180 (82) (thigh)	16-18	14-16
Chicken Breasts	3	450 (235)	170 (77)	14-16	12-14
<b>Pork</b>					
Pork Chops (1¼" or more)	2	450 (235)	160 (71)	12-14	13-15
Sausage - fresh	3	450 (235)	160 (71)	4-6	3-5

The TEMP. and TIME in the chart above are for the 240 V setting.

\* Broiling and convection broiling times are approximate and may vary slightly.

Cooking times are indicative and also depend on the thickness and the starting temperature of the meat before cooking.



**Broil Tips and Techniques**

- Place rack in the required position needed before turning on the oven.
- Use Broil mode with the **oven door closed**.
- Do not preheat oven.
- Use the 2-piece broil pan.
- Meats may be brushed with cooking oil or butter to prevent sticking.
- Turn meats once halfway through the cooking time (see broil chart).

**Broil Chart**

FOOD AND THICKNESS	RACK POSITION	BROIL SETTING	INTERNAL TEMP. °F (°C)	TIME SIDE 1 (MIN.)*	TIME SIDE 2 (MIN.)*
<b>Beef</b>					
Steak (3/4"-1")					
Medium rare	3	5	145 (63)	5-7	4-6
Medium	3	5	160 (71)	6-8	5-7
Well	3	5	170 (77)	8-10	7-9
Hamburgers (3/4"-1")					
Medium	3	5	160 (71)	7-9	5-7
Well	3	5	170 (77)	8-10	7-9
<b>Poultry</b>					
Breast (bone-in)	3	3	170 (77)	14-16	14-16
Thigh (very well done)	3	3	180 (82)	28-30	13-15
<b>Pork</b>					
Pork Chops (1")	3	5	160 (71)	7-9	5-7
Sausage - fresh	3	5	160 (71)	5-7	3-5
Ham Slice (1/2")	3	5	160 (71)	3-5	4-6
<b>Seafood</b>					
Fish Filets, 1"	3	4	Cook until opaque & flakes easily with fork	10-14	Do not turn
Buttered					
<b>Lamb</b>					
Chops (1")					
Medium Rare	3	5	145 (63)	5-7	4-6
Medium	3	5	160 (71)	6-8	5-7
Well	3	5	170 (77)	8-10	7-9
<b>Bread</b>					
Garlic Bread, 1" slices	4	5		2-2,30	
Garlic Bread, 1" slices	3	5		4-6	

The TEMP. and TIME in the chart above are for the 240 V setting.  
Cooking times are indicative and also depend on the thickness and the starting temperature of the meat before cooking.

**Food Service Temperature Guidelines from FSIS (USDA food Safety & Inspection Service)**

140°F(60°C)	Ham, precooked ( to Reheat)	165°F (74°C)	Stuffing (cooked alone or in bird)
145°F(63°C)	Fresh beef, Veal, Lamb (medium rare)		Leftovers & Casseroles
160°F(71°C)	Ground Meat & Meat mixtures (Beef, Pork, Veal Lamb)	170°F (77°C)	Fresh beef, Veal, Lamb (well done)
	Fresh beef, Veal, Lamb (medium)		Poultry breast
	Fresh Pork (medium)		Fresh Pork (well done)
	Fresh Ham (raw)	180°F (82°C)	Chicken and Turkey (Whole)
	Egg Dishes		Poultry (thighs and wings)
165°F(74°C)	Ground Meat & Meat mixtures (Turkey, Chicken)		Duck and Goose

**Note** : Eggs (alone, not used in a recipe) – cook until yolk & white are firm



**Pizza Tips and Techniques**

- Pizza is a special cooking mode with heated air. The lower elements cycle to cook pizza.
- The Pizza mode temperature is pre-programmed at 450 °F (230 °C).
- The Pizza mode temperatures available are 170 °F (75 °C) to 550 °F (290 °C).
- Use Oven Rack or Extendable Rack.
- Pizza pan may be used. In that case, follow the manual of Pizza pan.
- This mode is for single rack cooking. For the Multiple rack cooking, use the Convection Bake mode.

**Pizza Chart**

FOOD ITEM	RACK POSITION	TEMP. °F ( °C) (PREHEATED OVEN)	TIME (Min.)
Pizza			
Frozen	2 or 3	375-450 (190-230)	10-15
Fresh	2 or 3	375-450 (190-230)	6-12

The TEMP. and TIME in the chart above are for the 240 V setting.

Cooking times are indicative and also depend on the thickness and the type of the pizza.

This chart is a guide. Follow recipe or package directions and adjust temperature/time appropriately.

## Oven Care and Cleaning

### Self-Cleaning the Oven

This oven features a pyrolytic Self-Cleaning function that eliminates the difficult and time consuming manual scrubbing of the oven interior. During Self-Cleaning, the oven uses a very high temperature (approx. 860 °F/460 °C) to burn away food soil and grease.

- It is common to see smoke and/or an occasional flame-up during the Self-Cleaning cycle, depending on the content and amount of soil remaining in the oven. If a flame persists, turn off the oven and allow it to cool before opening the door to wipe up the excessive food soil.
- The door latch is automatically activated after selecting the Self-Cleaning cycle. The “SYMBOL” writings will appear in the display. This ensures that the door cannot be opened while the oven interior is at clean temperatures.
- The oven light does not operate during this mode.
- During Self-Cleaning, the kitchen should be well ventilated to help eliminate odors associated with Self-Cleaning. Odors will lessen with use.
- 1h:30 is the preset length of cleaning.
- The mode automatically stops at the end of the clean hours.
- When the oven heat drops to a safe temperature, the automatic door lock will release and the door can be opened.

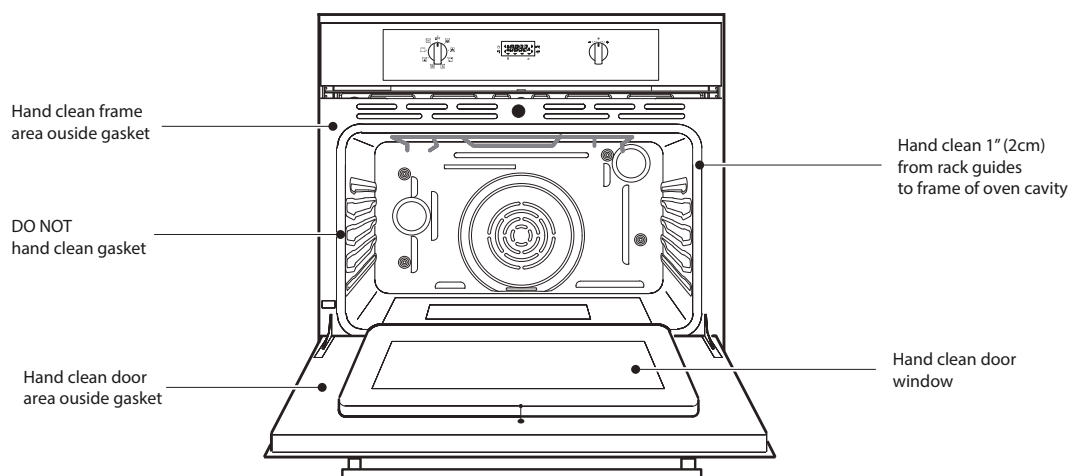
### Preparing the Oven for Self-Cleaning

1. Remove all utensils and bakeware.
2. Remove non-porcelain oven racks.

### CAUTION

**If chromed racks are left in the oven during the Self-Cleaning cycle, they will permanently lose the shiny finish and change to a dull dark finish. See Cleaning Chart for proper care, pages 25 to 26.**

3. Wipe up any soft soil spills and grease with paper towels. Excess grease will cause flames and smoke inside the oven during Self-Cleaning.
4. Review illustration below. Some areas of the oven must be cleaned by hand before the cycle begins. They do not get hot enough during the cleaning cycle for soil to burn away. Use a soapy sponge or plastic scrubber or a detergent-filled S.O.S.® pad. Hand-clean the oven door edge, oven front frame and up to 1-1/2 “ (2 - 3 cm) inside the frame with detergent and hot water. Do not rub the gasket on oven. Clean by hand the oven door window. Rinse all areas thoroughly then dry.
5. Be sure oven interior lights are turned off and the light bulbs and lens covers are in place. See Page 28.





## Setting the Self-Cleaning Mode

Before using the Self-Cleaning Mode please read the Oven Care and Cleaning page carefully and follow the Preparing the Oven for Self-Cleaning first. (see page 23)

### Pyrolyse (Self-Clean)

Turn the mode knob in the proper position than press the +/- knob to start a cleaning cycle.

The clean time can be set according to the same rules of the automatic functions, and therefore the pyrolytic cycle can be delayed.

The maximum allowed clean time is 3 hours, the minimum 1 hour. The standard time is 1h:30min, the clock display shows **P1:30**. At the end of the self-cleaning activity the display shows **P---** steady and **A** flashing. The writings on the display disappear when the mode selector is placed in the ZERO position. The door remains locked until the oven temperature drops below the safety threshold, at this time the control unlocks the door.

The cooling fan starts as soon as the function is selected and turns to its higher speed when the inner parts get hot. The oven temperature is automatically set to 460°C in order to perfectly clean the cavity.



The control also locks immediately the door in order to guarantee the user safety, given that the temperature inside gets very hot. A lock led shows the status of the latch mechanism at any time:

- Door unlocked, lock led off.
- Door locked, lock led always on.
- Latch moving, transition in progress, lock led flashing.

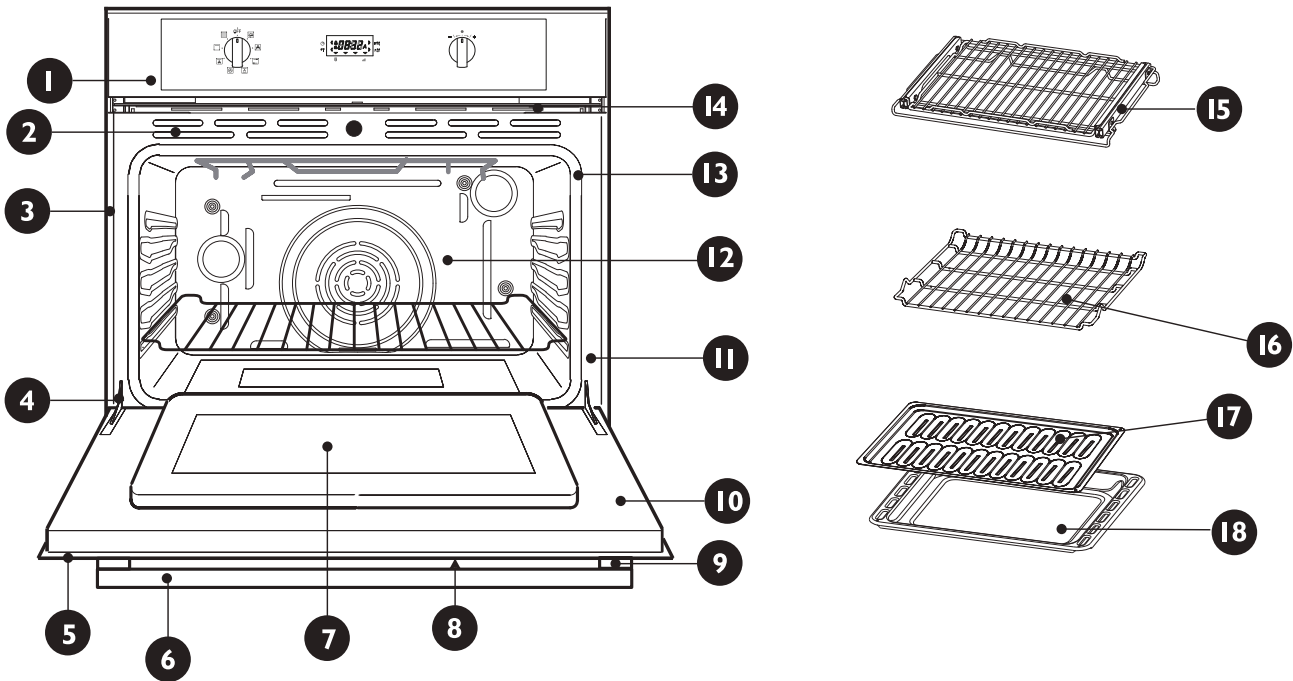
To reuse the oven after a pyrolyse, turn the mode selector to ZERO (OFF) position.



**General Oven Care**

**How to Use the Cleaning Chart**

1. Locate the number of the part to be cleaned in the illustration on this page.
2. Find the part name in the Cleaning Chart.
3. Match the letter with the cleaning method on following page.



**Cleaning Chart**

Part		Cleaning Method	Part		Cleaning Method
		Stainless Steel Oven			Stainless Steel Oven
1	Control Panel	C-G	11	Oven Front Frame	E
2	Door Cooling Vent	E	12	Oven Cavity	E
3	Side Trim	D	13	Door Gasket	B
4	Bottom Trim	D	14	Oven Cooling Vents	D
5	Door Frame	E	15	Extendable Rack	A
6	Door Handle	G	16	Oven Rack	A
7	Interior door windows	F	17	Broiler Pan Rack	E
8	Door Front	C&G	18	Broiler Pan	E
9	End Caps	D			
10	Interior Oven Door	E			

Please refer to the next page for Cleaning Method.

**Oven Finishes / Cleaning Methods**

The entire oven can be safely cleaned with a soapy sponge, rinsed and dried. If stubborn soil remains, follow the recommended cleaning methods below.

- Always use the mildest cleaner that will do the job.
- Rub metal finishes in the direction of the grain.
- Use clean, soft cloths, sponges or paper towels.
- Rinse thoroughly with a minimum of water so it does not drip into door slots.
- Dry to avoid water marks.

The cleaners listed below indicate types of products to use and are not being endorsed. Use all products according to package directions.

Part	Cleaning Method
<b>A</b> Chrome Plated	Wash with hot sudsy water. Rinse thoroughly and dry. Or, gently rub with Soft Scrub <sup>®</sup> , Bon-Ami <sup>®</sup> , Comet <sup>®</sup> , Ajax <sup>®</sup> , Brillo <sup>®</sup> or S.O.S. <sup>®</sup> pads as directed. Easy Off <sup>®</sup> or Dow <sup>®</sup> Oven Cleaners (cold oven formula) can be used, but may cause darkening and discoloration. Racks may be cleaned in the oven during the Self-Cleaning mode. However, chromed racks will lose their shiny finish and permanently change to a metallic gray.
<b>B</b> Fiberglass Knit	<b>DO NOT HAND CLEAN GASKET.</b>
<b>C</b> Glass	Spray Windex <sup>®</sup> or Glass Plus <sup>®</sup> onto a cloth first then wipe to clean. Use Fantastik <sup>®</sup> or Formula 409 <sup>®</sup> to remove grease spatters.
<b>D</b> Painted	Clean with hot sudsy water or apply Fantastik <sup>®</sup> or Formula 409 <sup>®</sup> first to a clean sponge or paper towel and wipe clean. Avoid using powdered cleansers and steel wool pads.
<b>E</b> Porcelain	Immediately wipe up acidic spills like fruit juice, milk and tomatoes with a dry towel. Do not use a moistened sponge/towel on hot porcelain. When cool, clean with hot sudsy water or apply Bon-Ami <sup>®</sup> or Soft Scrub <sup>®</sup> to a damp sponge. Rinse and dry. For stubborn stains, gently use Brillo <sup>®</sup> or S.O.S. <sup>®</sup> pads. It is normal for porcelain to craze (fine lines) with age due to exposure from heat and food soil.
<b>F</b> Reflective Glass	Clean with hot sudsy water and sponge or plastic scrubber. Rub stubborn stains with vinegar, Windex <sup>®</sup> , ammonia or Bon-Ami <sup>®</sup> . <b>DO NOT USE HARSH ABRASIVES.</b>
<b>G</b> Stainless	Always wipe or rub with grain. Clean with a soapy sponge then rinse and dry. Or, wipe with Fantastik <sup>®</sup> or Formula 409 <sup>®</sup> sprayed onto a paper towel. Protect and polish with Stainless Steel Magic <sup>®</sup> and a soft cloth. Remove water spots with a cloth dampened with white vinegar. Use Zud <sup>®</sup> , Cameo <sup>®</sup> , Bar Keeper's Friend <sup>®</sup> or RevereWare Stainless Steel Cleaner <sup>®</sup> , to remove heat discoloration.

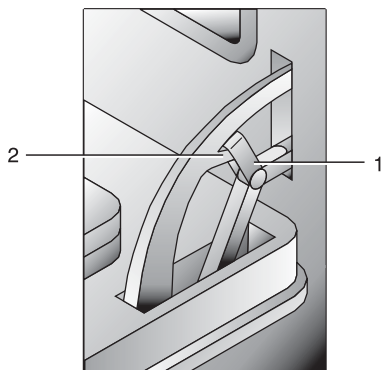
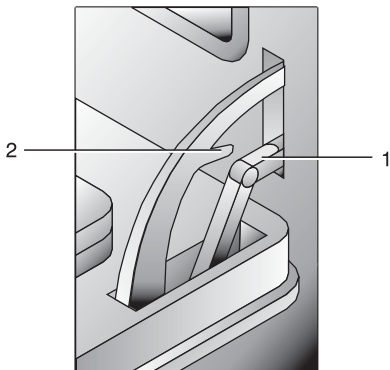
*Do-it-Yourself Maintenance*  
*Oven Door Removal*

 **WARNING**

- Make sure oven is cool and power to the oven has been turned off before removing the door. Failure to do so could result in electrical shock or burns.
- The oven door is heavy and fragile. Use both hands to remove the oven door. The door front is glass. Handle carefully to avoid breakage.
- Grasp only the sides of the oven door. Do not grasp the handle as it may swing in your hand and cause damage or injury.
- Failure to grasp the oven door firmly and properly could result in personal injury or product damage.

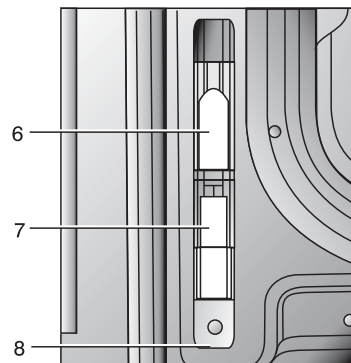
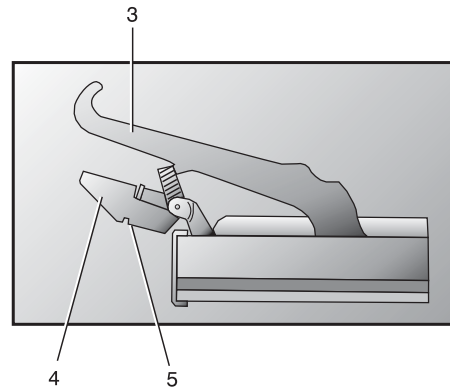
**To Remove Door**

1. Open the door completely.
2. Lift up the hinge bracket (1) into the slot (2).
3. Hold the door firmly on both sides using both hands and close the door.
4. Hold firmly; the door is heavy.
5. Place the door in a convenient location.



**To Replace Door**

1. Insert the upper arms (3) of both hinges into the upper slots (6) and the lower arms (4) into the lower slots (7). The recesses (5) must hook on the lips (8).
2. Move the hinge brackets (1) back down into position.
3. Close and open the door slowly to assure that it is correctly and securely in place.



*Replacing an Oven Light*

- Each oven is equipped with two halogen lights located in the back wall of the oven.
- The lights are switched on when the door is opened or when the oven is in a cooking cycle.
- The oven lights are not illuminated during SELF- CLEAN.
- Each light assembly consists of a removable lens, a light bulb as well as a light socket housing that is fixed in place. See figure on this page.
- Light bulb replacement is considered to be a routine maintenance item.

**To Replace a Light Bulb**

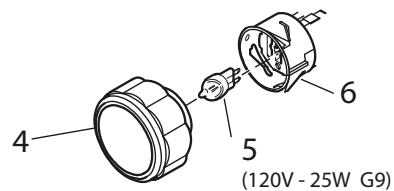
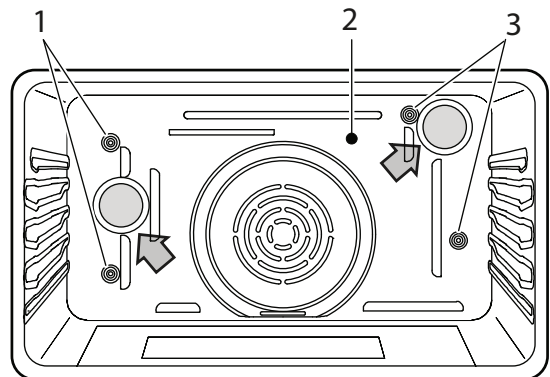
1. Read **WARNING** on this page.
2. Turn off power at the main power supply (fuse or breaker box).
3. In convection ovens, remove the fan cover by unscrewing the four screws.
4. Remove the lens by unscrewing it.
5. Remove the light bulb from its socket by pulling it.
6. Replace the bulb with a new one. Avoid touching the bulb with fingers, as oils from hands can damage the bulb when it becomes hot.
7. The bulb is halogen: use one with the same Volt and Watt (**see figures on this page**).
8. Screw the lens back on.
9. Replace the fan cover if it is provided with the oven model.

Turn power back on at the main power supply (fuse or breaker box).

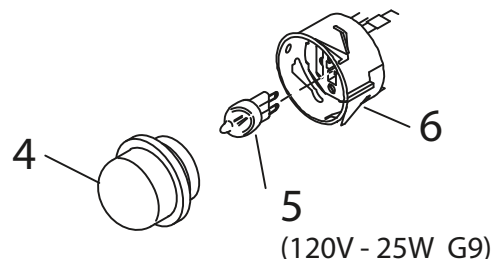
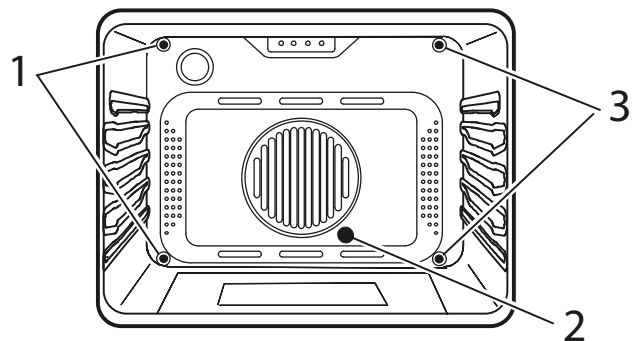
**! WARNING**

- Make sure the oven and lights are cool and power to the oven has been turned off before replacing the light bulb(s). Failure to do so could result in electrical shock or burns.
- The lenses must be in place when using the oven.
- The lenses serve to protect the light bulb from breaking.
- The lenses are made of glass. Handle carefully to avoid breakage. Broken glass could cause an injury.

**30"**



**24"**



## Solving Baking and Roasting Problems

With either Bake or Convection Bake and Convection Roast poor results can occur for many reasons other than a malfunction of the oven. Check the chart below for causes of the most common problems. Since the size, shape and material of baking utensils directly affect the baking results, the best solution may be to replace old baking utensils that have darkened and warped with age and use. Check the Baking Charts from Page 16 to 22.

Baking and Roasting Problem	Cause
Food browns unevenly	<ul style="list-style-type: none"> <li>• Oven not preheated</li> <li>• Aluminum foil on oven rack or oven bottom</li> <li>• Baking utensil too large for recipe</li> <li>• Pans touching each other or oven walls</li> </ul>
Food too brown on bottom	<ul style="list-style-type: none"> <li>• Oven not preheated</li> <li>• Using glass, dull or darkened metal pans</li> <li>• Incorrect rack position</li> <li>• Pans touching each other or oven walls</li> </ul>
Food is dry or has shrunk excessively	<ul style="list-style-type: none"> <li>• Oven temperature too high</li> <li>• Baking time too long</li> <li>• Oven door opened frequently</li> <li>• Pan size too large</li> </ul>
Food is baking or roasting too slowly	<ul style="list-style-type: none"> <li>• Oven temperature too low</li> <li>• Oven not preheated</li> <li>• Oven door opened frequently</li> <li>• Tightly sealed with aluminum foil</li> <li>• Pan size too small</li> </ul>
Piecrust do not brown on bottom or have soggy crust	<ul style="list-style-type: none"> <li>• Baking time not long enough</li> <li>• Using shiny steel pans</li> <li>• Incorrect rack position</li> <li>• Oven temperature is too low</li> </ul>
Cakes pale, flat and may not be done inside	<ul style="list-style-type: none"> <li>• Oven temperature too low</li> <li>• Incorrect baking time</li> <li>• Cake tested too soon</li> <li>• Oven door opened too often</li> <li>• Pan size may be too large</li> </ul>
Cakes high in middle with crack on top	<ul style="list-style-type: none"> <li>• Oven temperature too high</li> <li>• Baking time too long</li> <li>• Pans touching each other or oven walls</li> <li>• Incorrect rack position</li> <li>• Pan size too small</li> </ul>
Piecrust edges too brown	<ul style="list-style-type: none"> <li>• Oven temperature too high</li> <li>• Edges of crust too thin</li> </ul>

## Solving Operational Problems

Before calling for service, check the following to avoid unnecessary service charges.

Oven Problem	Problem Solving Steps
E008 Error appears in the display window.	A problem with latch mechanism occurred. Remove power and turn it back on again after a few seconds. The oven should run a latch auto-test. If condition persists, note the code number and call an authorized service center.
Other E Error appears in the display window.	Remove power and turn it back on again after a few seconds. If condition persists, note the code number and call an authorized service center.
The oven display stays OFF	Turn off power at the main power supply (fuse or breaker box). Turn breaker back on. If condition persists, call an authorized service center.
Cooling fan continues to run after oven is turned off	The fan turns off automatically when the electronic components have cooled sufficiently.
Oven door is locked and will not release, even after cooling	Turn the oven off at the circuit breaker and wait a few seconds. Turn breaker back on. The oven should reset itself and will be operable.
Oven is not heating	Check the circuit breaker or fuse box to your house. Make sure there is proper electrical power to the oven. Make sure the oven temperature has been selected.
Oven is not cooking evenly	Refer to cook charts for recommended rack position. Always reduce recipe temperature by 25 °F (15 °C) when baking with Convention Bake mode.
Oven temperature is too hot or too cold	The oven thermostat needs adjustment. See Calibrating Oven Temperature, Page 15.
Oven light is not working properly	Replace or reinsert the light bulb if loose or defective. See Page 28. Touching the bulb with fingers may cause the bulb to burn out.
Oven light stays on	Check for obstruction in oven door. Check to see if hinge is bent or door switch broken.
Cannot remove lens cover on light	There may be a soil build-up around the lens cover. Wipe lens cover area with a clean dry towel prior to attempting to remove the lens cover.
Oven will not Self-Cleaning properly	Allow the oven to cool before running Self-Cleaning. Always wipe out loose soils or heavy spill-over before running Self-Cleaning. If oven is badly soiled, set oven for a four-hour Self-Cleaning. See Preparing the Oven for Self-Cleaning, Page 23 to 24.
Clock and timer are not working properly	Make sure there is proper electrical power to the oven. See the Clock and Timer sections on Page 10.
Excessive moisture	When using Bake mode, preheat the oven first. Convection Bake and Convection Roast will eliminate any moisture in oven (this is one of the advantages of convection).
Porcelain chips	When oven racks are removed and replaced, always tilt racks upward and do not force them to avoid chipping the porcelain.

### Service Data Record

**For authorized service or parts information see paragraph “Warranty ..”**

The location of the serial tag on the product can be seen when the oven door is opened. It is located on the left side, centered vertically just inside the oven cavity. See Page 6. Now is a good time to write this information in the space below provided. Keep your invoice for warranty validation.

Model Number \_\_\_\_\_ Serial Number \_\_\_\_\_ Date of Installation or Occupancy \_\_\_\_\_

**Fulgor Milano WARRANTY for Home Appliances****Duration of warranty:**

For twenty-four (24) months from the original date of purchase, the Fulgor Milano warranty covers all parts and labor to repair or replace, under normal residential use, any part of the product proving to be defective in material or workmanship as a result of the original manufacturing process.

**For proof of warranty, please retain the original purchase invoice and the delivery slip.**

To obtain service under this warranty you must:

1. Contact Fulgor-Milano Authorized Service
  - a. For all of North America:  
online at <http://www.thevettagroup.com/servicerequest.a5w>
  - b. In the United States by email at [fulgor@adcoservice.com](mailto:fulgor@adcoservice.com) or by toll free number at 1-855-4-fulgor (1-855-438-5467)
  - c. In Eastern Canada (Ontario->East)  
by email [service@distinctive-online.com](mailto:service@distinctive-online.com) or by toll free number at 1-800-361-0799
  - d. In Western Canada (Manitoba<-West)  
by email at [service@pacificspecialtybrands.com](mailto:service@pacificspecialtybrands.com) or toll free at 1-877-430-5253 x106
2. Provide a copy of your original sales receipt along with model number and serial number information for the product.
3. Provide Fulgor Milano reasonable opportunity to investigate the claim before the Product or any component of the Product has been modified or removed.

**TERMS APPLICABLE TO THIS WARRANTY**

This warranty is valid in only the 50 continental states of the U.S.A. and the country of Canada. This warranty applies to the original purchaser only and is non-transferable.

All service provided by Fulgor Milano on the stated warranty must be performed by a Fulgor Milano authorized servicer, unless otherwise specified by Fulgor Milano.

This service will be provided during the regular business hours of each specific region.

This warranty applies only to products purchased from an authorized dealer through an approved distribution chain and is installed for normal residential use and does not apply to commercial use or use on yachts.

This warranty only covers service performed at the location of product installation and will not cover costs associated with repairing off-site unless expressly authorized by Fulgor Milano nor does it cover the travel costs associated with providing service to remote locations. Remote locations are defined as being outside of a 50 mile (80 kilometre) radius from any authorized dealer. This warranty does not cover any parts or labor to correct any defect caused by negligence, transport, delivery, improper voltage, accident or improper use, maintenance, installation, service or repair, including but not limited to improper removal and reinstallation of any component of the product (ie. removing handles to fit through doors) prior to or during product delivery / installation.

The remedies described herein are the only ones which Fulgor Milano will provide, either under this warranty or under any warranty arising by operation of law. Fulgor Milano will not be responsible for product loss due to spoilage or burning nor for consequential damages to surrounding cabinetry, construction materials or finishing materials such as but not limited to flooring.

Fulgor Milano will not be responsible for any consequential or incidental damages arising from the breach of these warranties or any other warranties, whether express, implied or statutory.

The warranty will be valid and effective only upon presentation of the document stating the purchase date of the appliance, and more specifically of the relevant invoice, proof of purchase, or equivalent document showing the name of the seller, the delivery date and the identification data of the appliance. (Such as; Model number, Serial Number).

In the case of new product being included in the purchase of new residential construction; this warranty applies to the original resident of the location containing the Fulgor Milano product and warranty coverage will begin on the date of occupancy of the residence (proof of occupancy required) to a maximum additional six months from the date of purchase of the product by the development company from the distributor or dealer. This extension does not apply to footnote 1 below.

This warranty is only valid where the difference between the purchase date and the production date of the product is less than one year. Any product which has been warehoused for more than this one year period will only be covered under the terms of Fulgor Milano's B-Stock / Display Model warranty.

During the warranty period Fulgor Milano reserves the right to evaluate the opportunity to repair the appliance or, at their discretion, offer to replace it with a Fulgor Milano product of equivalent features and functionality. Fulgor Milano reserves the right to revise this warranty at any time.

Some states do not allow the exclusion or limitation of incidental or consequential damages so the above limitation or exclusion may not apply to you. This warranty gives you specific legal rights and you may also have other rights which vary from state to state.

<sup>1</sup>Doors, handles, glass, product frames, racking, interior and exterior surfaces are covered by a limited 30-day parts only warranty for cosmetic defects originating from the factory.

\*Replacement light bulbs are not covered by the product warranty.

Table des matières	Page	Page	
<b>Mesures de sécurité</b>	<b>33</b>	<b>Entretien et nettoyage du four</b>	<b>53</b>
<b>Instructions de sûreté</b>	<b>34</b>	Préparation du four pour l'auto-nettoyage	53
Sécurité pour le four	34	<b>Réglage du mode d'auto-nettoyage</b>	<b>54</b>
Sécurité pour le nettoyage du four	34	Pyrolyse (auto-nettoyage)	54
<b>Caractéristiques de votre four</b>	<b>35</b>	<b>Entretien général du four</b>	<b>55</b>
<b>Information générale sur le four</b>	<b>36</b>	Utilisation du tableau de nettoyage	55
Avant d'utiliser le four	36	Tableau de nettoyage du four	55
<b>Astuces sur l'utilisation générale du four</b>	<b>37</b>	<b>Finis du four / méthodes de nettoyage</b>	<b>56</b>
Grilles du four	37	<b>Retrait de la porte du four</b>	<b>57</b>
Grille télescopique	38	Pour enlever la porte	57
<b>Contrôle électronique</b>	<b>39</b>	Pour remettre la porte	57
Description du panneau de commande	39	<b>Remplacement d'une ampoule du four</b>	<b>58</b>
Programmation des fonctions de temps	39	Pour remplacer une ampoule	58
Réglage de l'heure	39	<b>Résolution de problèmes concernant la cuisson et le rôtissage</b>	<b>59</b>
Réglage du compte-minutes	39	<b>Résolution des problèmes de fonctionnement</b>	<b>60</b>
<b>Cuisson avec un four à convection</b>	<b>40</b>	<b>GARANTIE Fulgor Milano pour l'électroménager</b>	<b>61</b>
Avantages de la cuisson par convection	40		
<b>Modes du four</b>	<b>41</b>		
<b>Fonction de cuisson</b>	<b>42</b>		
<b>CONSEILS RAPIDES</b>	<b>43</b>		
<b>Réglage manuel du fonctionnement du four</b>	<b>44</b>		
<b>Conseils et techniques de cuisson</b>	<b>46</b>		
Tableau de cuisson	46		
<b>Conseils et techniques de convection européenne</b>	<b>47</b>		
Tableau de convection européenne	48		
<b>Conseils et techniques de convection cuisson</b>	<b>49</b>		
Tableau de convection cuisson	49		
<b>Conseils et techniques pour le convection grill</b>	<b>50</b>		
Tableau de convection grill	50		
<b>Conseils et techniques de grill</b>	<b>51</b>		
Tableau de grill	51		
<b>Conseils et techniques pour la pizza</b>	<b>52</b>		
Tableau de cuisson de pizza	52		



 **IMPORTANT**

**Mesures de sécurité pour  
appareil domestique et four**  
Veuillez lire les instructions avant toute utilisation.

 **AVERTISSEMENT**

À condition d'être bien entretenu, votre nouveau four a été conçu pour être un appareil fiable et sûr. **Lisez toutes les instructions soigneusement avant d'utiliser ce four. Ces précautions réduiront le risque de brûlures, de chocs électriques, d'incendie et de blessures à des personnes. Lorsque vous utilisez des appareils électroménagers de cuisine, il faut suivre les mesures de sécurité de base, y compris les suivantes:**

Cet appareil doit être correctement installé et branché par un technicien qualifié. Branchez-le uniquement à une prise de courant mise à la terre correctement. Reportez-vous à "Instructions de mise à la terre" dans les Instructions d'installation.

- Cet appareil doit être réparé uniquement par un technicien apte et agréé. Contactez le centre de service agréé le plus proche de chez vous pour une inspection, une réparation ou un réglage.
- Ne réparez pas ou ne remplacez pas des pièces du four sauf si recommandé spécifiquement. Faites appel à un technicien agréé.
- N'utilisez pas cet appareil s'il ne fonctionne pas correctement ou s'il a été endommagé et ce, tant qu'un technicien agréé ne l'aura pas inspecté.
- Installez ou placez cet appareil uniquement et conformément aux Instructions d'installation.
- Utilisez ce four uniquement dans le but pour lequel il a été conçu par le fabricant. Pour toute question, contactez le fabricant.
- Ne couvrez pas ou ne bloquez pas les ouvertures de cet appareil.
- N'utilisez l'appareil que selon l'usage décrit dans ce manuel. N'utilisez pas de produits chimiques corrosifs, des vapeurs ou des produits non alimentaires dans cet appareil. Ce type de four est spécifiquement conçu pour chauffer ou cuire. Il n'est pas conçu pour une utilisation industrielle ou en laboratoire. L'utilisation de produits chimiques corrosifs pour le chauffage et le nettoyage endommagera cet appareil.
- Si vos vêtements ou vos cheveux prennent feu, **LAISSEZ-VOUS TOMBER PAR TERRE ET ROULEZ IMMÉDIATEMENT** pour éteindre les flammes.

- Ne laissez pas les enfants utiliser cet appareil électroménager sans la surveillance stricte d'un adulte. Les enfants et les animaux domestiques ne devraient pas être laissés seuls ou sans surveillance près d'appareils électroménagers lorsqu'ils sont utilisés. Ne laissez jamais un enfant s'asseoir ou se mettre debout sur toute partie du four.

 **ATTENTION**

- Ne mettez pas des objets d'intérêt pour les enfants au-dessus du four. Si un enfant devait grimper sur l'appareil électroménager pour atteindre ces objets, il pourrait se blesser gravement.

Pour réduire les risques de feu dans le four:

1. Ne mettez pas des matériaux inflammables près du four ou à l'intérieur.
2. N'utilisez pas d'eau sur un feu de friture. Etouffez le feu en utilisant un extincteur à poudre ou à mousse.
3. Il est hautement recommandé que l'extincteur soit prêt à l'utilisation et bien visible non loin de tout appareil de cuisson.
4. Ne surcuisez pas les aliments. Surveillez le four si des produits en papier, en plastique ou des matières combustibles sont placés à l'intérieur.
5. N'utilisez pas l'intérieur du four pour ranger des objets. Ne laissez pas des produits en papier, des ustensiles de cuisine ou de la nourriture dans le four lorsqu'il n'est pas utilisé.
6. Si des matériaux à l'intérieur du four s'enflamment, laissez la porte du four fermée. Mettez le four hors marche et débranchez le circuit à la boîte des disjoncteurs.
7. N'obstruez pas les ouvertures de ventilation.
8. Assurez-vous que le ventilateur fonctionne lorsque le four est en marche. Si le ventilateur ne fonctionne pas, n'utilisez pas le four. Appelez un centre de service agréé.
9. N'utilisez jamais le four pour chauffer ou réchauffer une pièce. Cela peut endommager des pièces du four.
10. Pour votre sécurité, portez des vêtements appropriés. Des vêtements amples ou de grandes manches ne doivent jamais être portés en utilisant ce four.

**! IMPORTANT**

**Instructions de sûreté pour  
appareil domestique et four**  
Veuillez lire les instructions avant toute utilisation.


**Sécurité pour le four**

- Attachez les cheveux s'ils sont longs.
- Ne touchez pas les éléments chauffants ou les surfaces intérieures du four.
- Les éléments chauffants peuvent être chauds même lorsqu'ils sont sombres. Les surfaces intérieures d'un four deviennent assez chaudes pour provoquer des brûlures.
- Pendant et après l'utilisation, ne touchez pas ou ne laissez pas des vêtements ou d'autres matières inflammables en contact avec les éléments chauffants ou les surfaces intérieures du four jusqu'à ce qu'ils aient eu le temps de refroidir suffisamment.
- La garniture sur le dessus et sur les côtés de la porte du four peut être assez chaude pour provoquer des brûlures.
- Ouvrez la porte avec précaution. Ouvrez la porte doucement pour laisser échapper l'air chaud ou la vapeur avant d'enlever ou de remplacer la nourriture.
- Ne chauffez pas des emballages alimentaires non ouverts. L'accumulation de pression pourrait faire exploser l'emballage et causer des blessures.
- Placez toujours les grilles du four dans la position voulue lorsque le four est froid. Si une grille doit être déplacée lorsque le four est chaud, ne laissez pas les gants de cuisine entrer en contact avec les éléments chauffants.
- Utilisez toujours des gants de cuisine secs. Des gants humides sur des surfaces chaudes peuvent brûler à cause de la vapeur. Les gants ne doivent pas toucher des parties brûlantes. N'utilisez pas de torchons ou d'autres serviettes volumineuses.

**Sécurité pour le nettoyage du four**

**! ATTENTION**

**Ne laissez aucun aliment, ustensile de cuisine, etc., dans le four durant le cycle d'auto-nettoyage.**

- Confirmer que la porte se verrouille et ne s'ouvre plus une fois que les deux commandes  [CLEAN] ont été activées et que le symbole « AUTO LOCK » apparaît. Si la porte ne se verrouille pas, tourner le bouton Cook Mode sur OFF et ne pas exécuter l'auto-nettoyage. Appeler le service d'assistance.
- Ne nettoyez pas le joint de la porte. Ceci est primordial pour une bonne étanchéité. Faites extrêmement attention à ne pas frotter, endommager, déplacer ou enlever le joint de porte.
- N'utilisez pas de nettoyeurs pour four de type commercial ou d'enduit protecteur de toutes sortes à l'intérieur et à l'extérieur du four.
- Ne nettoyez que les pièces indiquées dans ce manuel. (consultez la page 55)
- Avant d'effectuer l'auto-nettoyage du four, enlevez la lèche-frite, les grilles de four, les autres ustensiles et les excès d'éclaboussures.

**! AVERTISSEMENT**

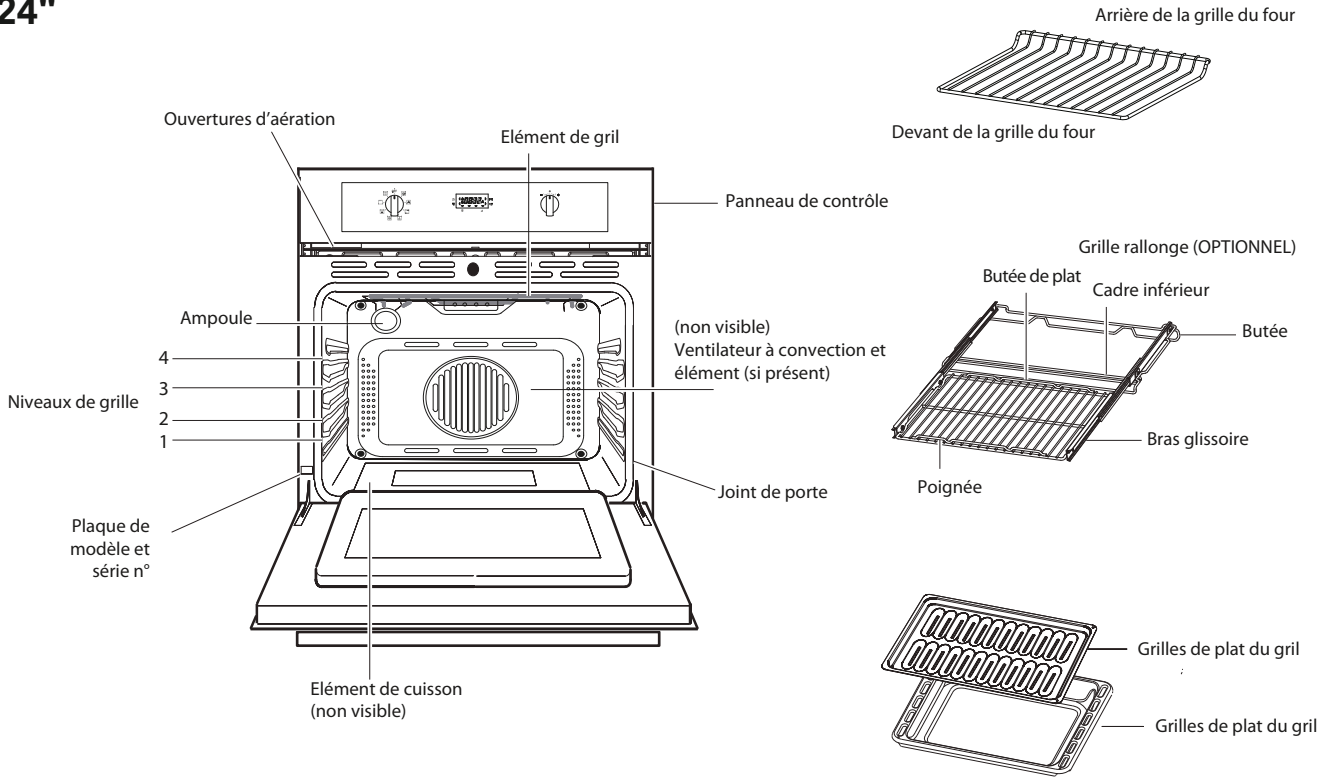
**La loi applicable sur les produits toxiques et l'eau potable de Californie requiert que les compagnies avisent les utilisateurs d'exposition potentielle aux substances qui sont reconnues par l'État de Californie comme provoquant des cancers ou des déformations natales.**

**L'élimination de résidus pendant l'auto-nettoyage provoque des dérivés qui sont sur cette liste de substances.**

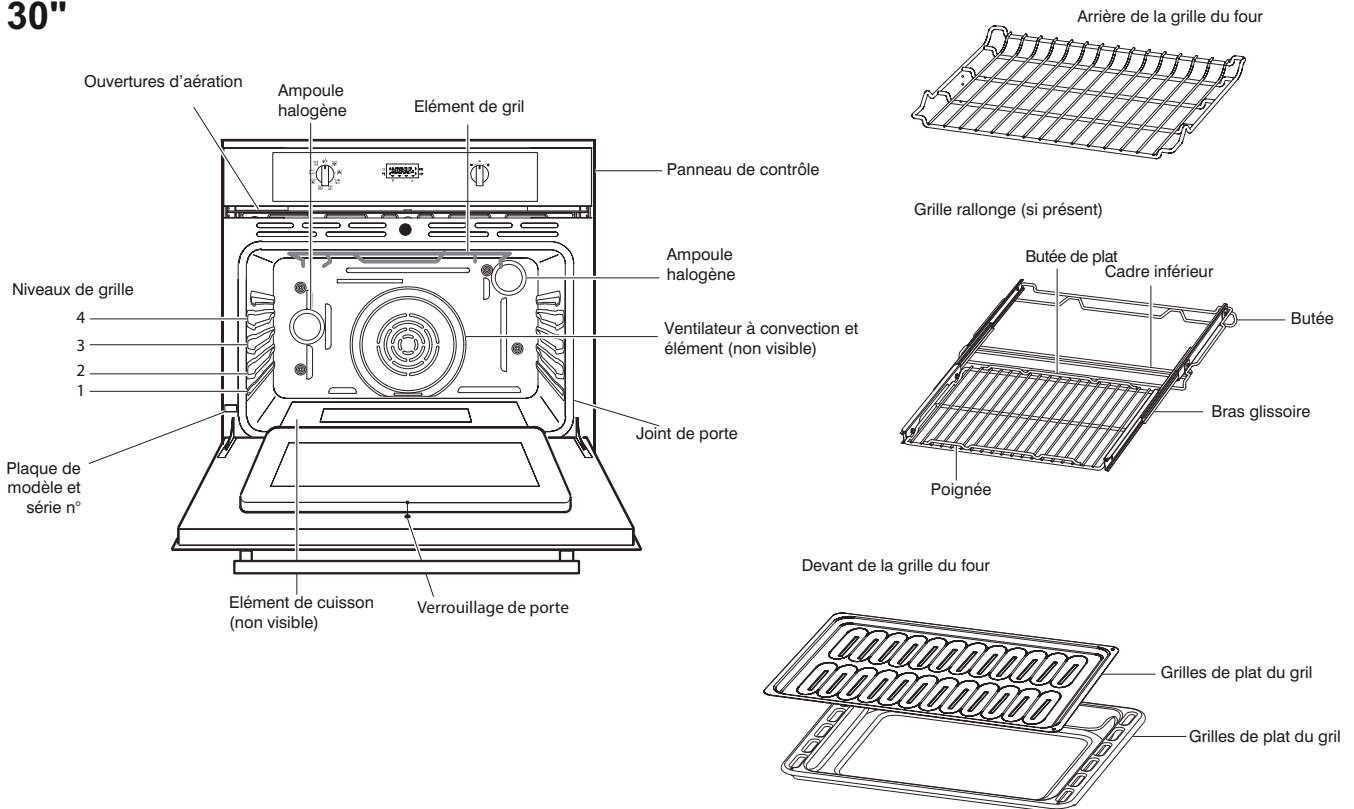
**Pour minimiser l'exposition à ces substances, faites fonctionner ce four toujours conformément aux instructions dans ce manuel et aérez bien la pièce pendant et immédiatement après l'auto-nettoyage du four.**

**Caractéristiques de votre four**

**24"**



**30"**



### Information générale sur le four



#### **ATTENTION**

##### Avant d'utiliser le four

- **Retirez tout le matériel d'emballage et les matières étrangères du four. Tout matériel de ce type laissé à l'intérieur peut fondre ou brûler lorsque l'appareil est utilisé.**
- **Faites chauffer l'appareil vide à la température maximale afin d'enlever tous les résidus de fabrication qui pourraient affecter les aliments avec des odeurs désagréables.**

##### Connexion 120 V / 240 V vs. 120 V / 208 V

La plupart des fours sont branchés dans une prise de 120 V / 240 V. Si le four est alimenté par un courant de 120 V / 208 V, la durée de préchauffage pourrait être légèrement plus longue que s'il est branché à une prise de 120V / 240V. Ce four est conçu pour assurer la même durée de nettoyage s'il est branché à une installation de 120 V / 208 V.

##### Cuisson à haute altitude

Lors de la cuisson à haute altitude, les temps de cuisson peuvent varier des temps de cuisson fournis dans les recettes.

##### Panne de courant

Après le retour du courant, l'horloge du four affichera 12.00.

##### Codes de d'erreur E

Si des codes d'erreur E sont affichés lorsque le régulateur électronique détecte un problème dans le four ou dans les composants électroniques.  
(consultez la page 60)

##### Bruits de grincement

Il se peut qu'un bruit provienne de l'appareil lors de l'utilisation du four en raison de la chaleur extrême qui est produite, mais de tels grincements sont normaux et ne doivent pas être considérés comme une défectuosité.

##### Symboles ou chiffres clignotants

Indique une action incomplète qui est en cours (verrouillage de la porte, préchauffage, etc.).

##### Bips

Signale que la température programmée a été atteinte. Les bips indiquent également la fin d'une fonction ou une défectuosité du four.

##### Ventilateur de convection

Le ventilateur de convection fonctionne durant tous les modes de convection et de déshydratation.


##### Ventilateur de refroidissement

S'active durant le mode d'auto-nettoyage ou de cuisson pour refroidir les composants internes et les surfaces

externes de la porte. L'air est évacué par l'évent situé au-dessus de la porte du four.

Le ventilateur de refroidissement continue de fonctionner jusqu'à ce que les composants soient suffisamment refroidis. Ce ventilateur fonctionne à double vitesse (ou trs/min) en mode d'auto-nettoyage et quand la température des composants internes devient élevée.

##### Utilisation de l'éclairage du four

- Lorsque le four est utilisé, l'éclairage du four s'allume automatiquement lorsqu'un mode est activé. L'éclairage du four s'éteint automatiquement à la fin et le mode du four est annulé.
- L'éclairage ne fonctionne pas en mode d'auto-nettoyage.
- Appuyez sur la touche  [LIGHT] pour activer l'éclairage du four.

##### Fahrenheit et Celsius

La température est pré-réglée en Fahrenheit, toutefois elle peut être changée en Celsius.  
(consultez la page 39)

### Astuces sur l'utilisation générale du four

#### Réglages par défaut

Les modes de cuisson sélectionnent automatiquement une température adaptée. Il est possible de les changer avec une valeur différente en cas de besoin.

#### Condensation et température du four

- Il est normal qu'une certaine quantité d'humidité s'évapore des aliments pendant la cuisson. Cette quantité dépend de la teneur en humidité des aliments. Cette humidité peut se condenser sur n'importe quelle surface plus froide que l'intérieur du four, telle que le panneau de commande.
- Votre nouveau four comporte un détecteur de température électronique qui permet de maintenir une température précise. Votre ancien four avait peut-être un thermostat mécanique qui, au fil du temps, s'est désajusté pour faire chauffer le four à une température plus élevée. Il est normal d'avoir besoin d'ajuster la température de vos recettes préférées lors de la cuisson dans un nouveau four.

#### Conseils d'utilisation

- Utilisez les tableaux d'aide-mémoire à la cuisson comme guide.
- Ne déposez pas de plateaux ou d'articles lourds sur la porte ouverte du four.
- Utilisez l'éclairage interne du four pour voir la nourriture à travers la fenêtre de la porte du four plutôt que d'ouvrir la porte fréquemment.

#### Ustensiles

- Les plats de cuisson en verre absorbent la chaleur. Réduisez la température du four de 15 °C (25 °F) lors de la cuisson dans un plat en verre.
- Utilisez des casseroles qui vous permettront d'obtenir le brunissage désiré. Le type de fini de la casserole vous aidera à déterminer le niveau de brunissage que vous obtiendrez.
- Le métal lisse et brillant et les casseroles légères antiadhésives anodisés reflètent de la chaleur, entraînant un brunissage léger et plus délicat. Les gâteaux et les biscuits nécessitent ce type d'article.
- Les casseroles foncées, lourdes ou mates absorberont la chaleur permettant d'obtenir des croûtes bien dorées et croustillantes. Utilisez ce type d'assiettes pour les tartes.
- Pour le brunissage et les croûtes croustillantes, utilisez des articles en métal mat, foncé ou anodisés ou des articles en verre. Les casseroles de cuisson isolées peuvent augmenter le temps de cuisson.
- Ne faites pas cuire d'aliments avec une lèche-frite vide dans le four, puisque ceci pourrait changer le rendement de cuisson. Rangez la lèche-frite à l'extérieur du four.

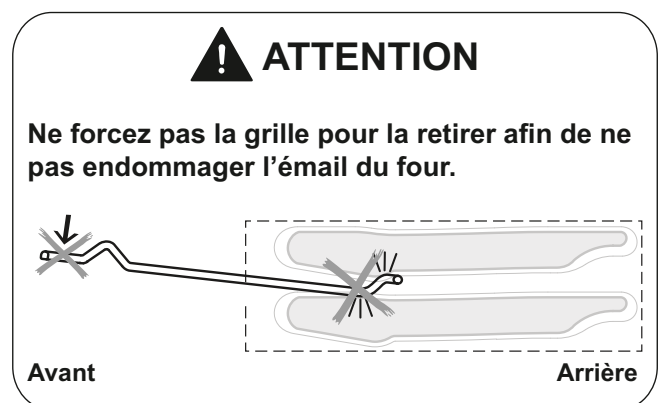
#### Grilles du four

- Le four comporte des guides de grilles à six niveaux comme indiqué dans l'illustration.
- Les positions des grilles sont numérotées du guide de la grille de fond (n° 1) au guide supérieur (n° 4).
- Consultez l'aide-mémoire pour les meilleures positions de grille à utiliser lors de la cuisson.
- Chaque guide de grilles est formé de deux supports intégrés dans les parois sur chaque côté de la cavité du four.
- Veillez à toujours placer les grilles du four avant de démarrer ce dernier. Assurez-vous que les grilles sont au niveau lorsqu'elles sont en position.

**Reportez-vous à l'illustration de la page 35 pour savoir de quel côté se trouvent l'avant et le dessus de la grille.**

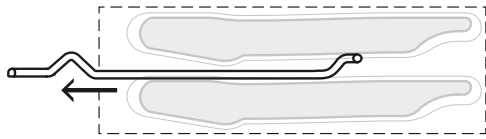
- Les grilles sont conçues pour s'arrêter lorsqu'elles sont tirées vers l'avant jusqu'à leur limite.

**ATTENTION!** N'utilisez jamais de papier d'aluminium pour couvrir les grilles ou les parois du four. Le papier d'aluminium peut endommager le revêtement du four si la chaleur est emprisonnée sous le papier.



#### Pour enlever les grilles du four:

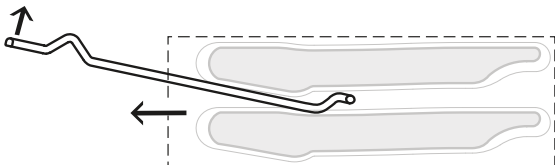
1. Tirez-les vers l'avant



Avant

Arrière

2. Soulevez-les à partir de l'avant et ensuite enlevez-les

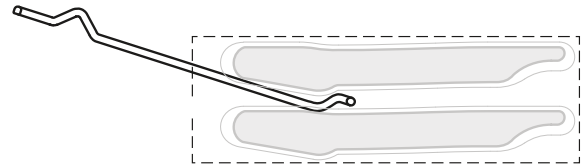


Avant

Arrière

#### Pour remplacer une grille:

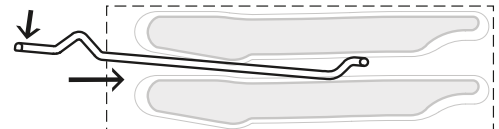
1. Placez l'arrière de la grille entre les guides de niveau de grille



Avant

Arrière

2. En soulevant le haut de la grille, faites-la glisser jusqu'au fond en baissant l'avant



Avant

Arrière

#### Grille télescopique

- Cette grille facilite l'accès aux aliments lors de la cuisson. Elle s'allonge plus que la grille standard pour rapprocher les aliments de l'utilisateur.

### ! ATTENTION

Lorsque la grille est hors du four, les bras latéraux ne se verrouillent pas, ils peuvent s'allonger de façon inattendue si la grille est tirée incorrectement et causer des blessures. **La grille doit être tenue ou tirée en saisissant les côtés.**

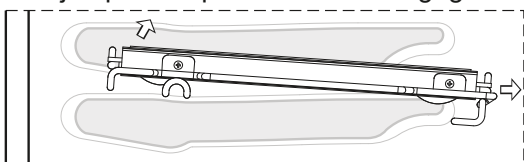
**REMARQUE:** Enlevez la grille télescopique avant l'auto-nettoyage.

**ATTENTION!** Pour éviter les brûlures, tirez complètement la grille et soulevez la casserole au-dessus de la poignée au moment de transférer des aliments hors du/dans le four.

Veuillez vous reporter à l'illustration de la page 35 pour déterminer quelle extrémité représente le devant de la grille.

#### Retrait de la grille télescopique du four:

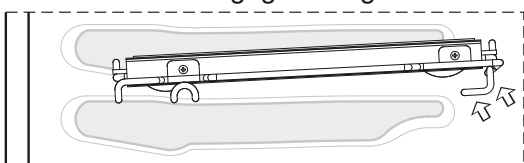
1. Soulevez légèrement le devant de la grille et poussez jusqu'à ce que la butée se dégage



Avant

Arrière

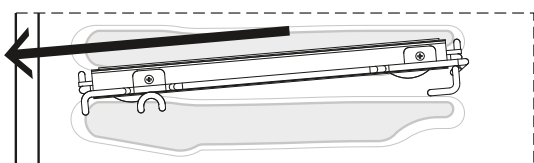
2. Soulevez l'arrière de la grille jusqu'à ce que le cadre et la butée se dégagent du guide



Avant

Arrière

3. Tirez vers le bas et retirez

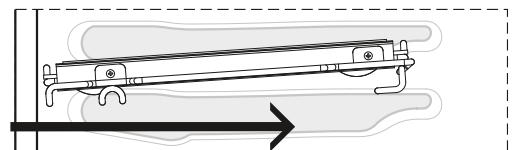


Avant

Arrière

#### Mise en place de la grille télescopique dans le four:

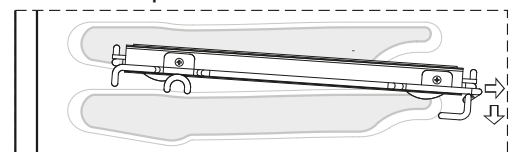
1. Tenez la grille fermement par les côtés. Placez la grille et le cadre au-dessus du guide de grille désiré



Avant

Arrière

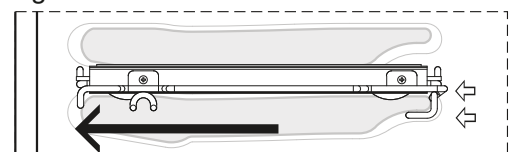
2. Poussez au fond jusqu'à ce que l'arrière de la grille se mette en position



Avant

Arrière

3. Tirez la grille vers le bas et l'extérieur



Avant

Arrière

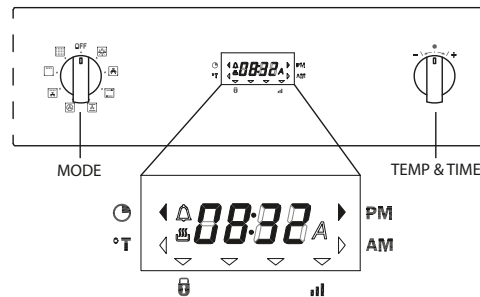
## Contrôle électronique

### Description du panneau de commande

Le panneau de commande du four se compose d'un affichage et de deux boutons:

- Affichage temps et température.
- Bouton temps et température (Push & Shuttle).
- Bouton Mode (fonctions du four).

Le bouton Push & Shuttle sert principalement à la mise au point de l'horloge et de la température et à la programmation des fonctions de temps automatiques. Sélectionner le paramètre souhaité en appuyant sur le bouton.




### Programmation des fonctions de temps

À chaque mise sous tension, l'heure affichée sur le panneau de commande clignote ; la valeur initiale qui apparaît est 12:00<sup>AM</sup>. L'heure s'incrémente à chaque minute. La seule action possible est la « Régulation de l'horloge » ; toutes les autres opérations du four sont interdites.


D'une façon générale, tourner le sélecteur Température/ Temps à gauche ou à droite pour éditer les valeurs et les modifier par étapes; maintenir le bouton à gauche ou à droite pour accélérer les opérations de décrément/ incrément.


### Réglage de l'heure


L'heure est toujours affichée au format 12:00<sup>AM /PM</sup> heures. Le réglage des heures et celui des minutes se font séparément. Pour régler l'heure, il faut que le sélecteur de mode soit dans la position ZÉRO ; le bouton -/+ agit par défaut sur l'heure.

- Tourner le sélecteur à gauche/à droite, les heures clignotent.
- Tourner le sélecteur à droite/gauche pour modifier la valeur clignotante des heures.
- Appuyer sur le sélecteur Température & Temps pour se déplacer des heures aux minutes et vice versa.
- Pour modifier la valeur clignotante des minutes, tourner à gauche ou à droite.
- Après quelques secondes, la valeur de l'heure commence à clignoter: attendre jusqu'à ce que la nouvelle heure s'affiche de façon fixe.
- Appuyer sur le bouton pour commuter entre l'affichage de l'heure et le compteminute et vérifier les valeurs configurées. L'horloge est sélectionnée par défaut; quand c'est le compte-minutes qui est sélectionné, le symbole  s'affiche.

### Réglage du compte-minutes

Le symbole  doit être affiché; tourner alors le bouton vers la droite ou la gauche afin de définir la valeur du temporisateur. La valeur standard est de 30 minutes ; il est possible de la modifier sur une plage comprise entre 0 et 240 minutes.

Cette minuterie est sans influence sur les activités du four et peut même être réglée quand le four est éteint. L'heure s'affiche en priorité dans tous les cas, seule la présence du symbole  montre que le compte-minutes est actif.

Quand le temps programmé s'achève, le symbole  clignote et l'avertisseur sonore émet une séquence d'avertissement (deux bip courts répétés toutes les 3 secondes) pour attirer l'attention de l'utilisateur. Presser le bouton pour l'arrêter.

L'avertisseur sonore, quant à lui, s'arrête tout seul après un délai temporisé.

### Volume de l'avertisseur sonore

Pour régler le volume de l'avertisseur sonore, tourner le bouton Temps & Température vers la gauche, le dispositif de commande doit être en mode lumière. À chaque cran, l'avertisseur sonore émet un double bip : sélectionner le volume parmi les trois niveaux disponibles. L'avertisseur sonore doit toujours être silencieux entre 22h00 et 8h00.

### Mesure unité de température

Pour sélectionner Fahrenheit ou Celsius, presser deux fois le bouton +/-, quand le visualiseur affiche F ou C, tourner le bouton +/- pour basculer l'unité sur mesure et presser à nouveau +/- pour valider.

## Cuisson avec un four à convection

Dans un four classique, la chaleur est envoyée par cycle pour maintenir une température moyenne dans la cavité du four. Comme la température augmente et descend graduellement, des petits courants d'air sont produits dans le four. Cette convection naturelle n'est pas forcément efficace parce que les courants sont irréguliers et doux.

Dans le système à convection, la chaleur est "transportée" par un ventilateur qui distribue une circulation continue d'air chaud.

Le système à convection européen apporte une ingénierie de pointe et une conception avancée pour créer le meilleur four à convection. Dans les fours à convection standard, le ventilateur fait simplement circuler l'air chaud autour de la nourriture. Le système se caractérise par la combinaison d'un élément de chauffage supplémentaire autour du ventilateur à convection et le panneau d'aération qui distribue l'air chauffé sur trois dimensions : le long des côtés, en haut et tout au fond de la cavité du four. Ce système à convection européen aide à maintenir plus chaude la température dans toute la cavité du four.

L'air circulant aide à accélérer le processus de cuisson et cuit la nourriture plus uniformément. En contrôlant le mouvement de l'air chauffé, la cuisson à convection dore les aliments uniformément en les laissant croustillants à l'extérieur et moelleux à l'intérieur. La cuisson à convection convient mieux pour les pains et les pâtisseries ainsi que les viandes et les volailles. Les aliments soufflés comme les gâteaux des anges, les soufflés et les choux à la crème sont plus soufflés que dans un four classique. Les viandes restent juteuses et tendres alors que l'extérieur est plein de saveur est croustillant.

En utilisant un four à convection européen, la nourriture peut être cuite à plus basse température et les temps de cuisson peuvent être plus courts. En utilisant ce mode, la température standard du four doit être plus basse de 15 °C (25 °F).

Les aliments nécessitant moins de temps de cuisson, le temps de cuisson doit être vérifié légèrement plus tôt que d'habitude. Pour de meilleurs résultats, les aliments ne doivent pas être couverts, et être mis dans des récipients à bord bas pour profiter de la circulation d'air forcé. Lorsque vous utilisez le mode rôtisserie à convection, la température standard du four n'a pas besoin d'être réduite.

### Avantages de la cuisson par convection

- Possibilité de cuire, de faire brunir et de faire croustiller les aliments.
- Pendant le rôtissage, les jus et les saveurs restent à l'intérieur alors que l'extérieur devient croquant.
- Les pains à levure sont plus légers, ils ont une texture plus ferme, ils sont plus dorés et plus croustillants
- Les aliments levés à la levure comme les choux à la crème, les soufflés et les meringues sont plus gonflés et sont plus légers.
- Cuisiner sur plusieurs niveaux en même temps est possible avec les mêmes résultats.
- Plusieurs grilles de cuisson forment un gain de temps.
- Préparation d'un repas entier en une seule fois sans transfert de saveur.
- Déshydratation des herbes, des fruits et des légumes.
- Aucun plat de cuisson spécial requis.
- Economie de temps et d'énergie.
- Les grillades par convection permettent des grillades extraordinaires avec des tranches plus épaisses.



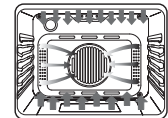
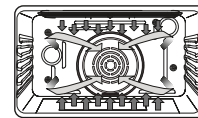
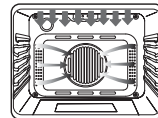
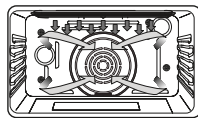
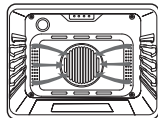
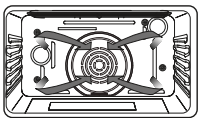
## Modes du four

Les illustrations suivantes indiquent une vue générale de ce qui se passe dans le four avec chaque mode de cuisson. Les flèches représentent l'emplacement des sources de chaleur pendant les modes spécifiques. L'élément inférieur est dissimulé sous la sole du four.

Le temps maximum de réglage pour le réchauffage peut atteindre 11 heures 59 minutes.

L'affichage de la mention "End" indique que le réchauffage est terminé:

- À l'aide des touches + [INC] ou - [DEC], réglez le temps de réchauffage supplémentaire.
- Pour changer de fonction, servez-vous du sélecteur de mode de cuisson.



### Cuisson à convection (MULTI/CONV/BAKE)

Réglage de température:  
de 50 °C (120 °F) à 250 °C (480 °F)  
(position pré-réglée 190 °C (375 °F))

La cuisson au four à convection cuit avec la chaleur d'un élément circulaire derrière la paroi arrière du four. La chaleur circule à travers le four par un ventilateur à convection.

### Gril à convection (CONV BROIL)

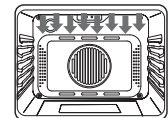
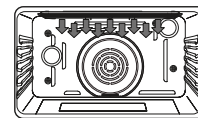
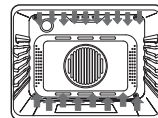
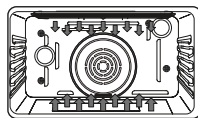
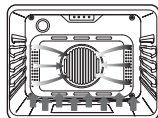
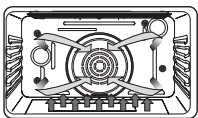
Réglage de température:  
de 50 °C (120 °F) à 250 °C (485 °F)  
(position pré-réglée 230 °C (445 °F))

Le gril à convection combine la chaleur intense de l'élément supérieur avec une chaleur qui circule grâce au ventilateur.

### Rôtissage à convection (CONV ROAST)

Réglage de température:  
de 50 °C (120 °F) à 250 °C (480 °F)  
(position pré-réglée 190 °C (375 °F))

Le rôtissage à convection utilise l'élément supérieur, du milieu et le ventilateur à convection.



### Pizza (MULTI PIZZA)

Réglage de température:  
de 50 °C (120 °F) à 250 °C (480 °F)  
(position pré-réglée 190 °C (375 °F))

Pizza est un mode de cuisson spécial utilisant de l'air chaud. Les éléments inférieurs fonctionnent par cycle afin de cuire la pizza.

### Cuisson au four (BAKE)

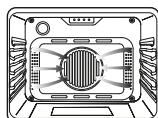
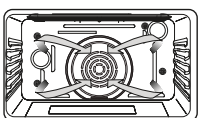
Réglage de température:  
de 50 °C (120 °F) à 250 °C (485 °F)  
(position pré-réglée 210 °C (410 °F))

Permet de cuire au four avec de l'air chaud. Les éléments supérieur et inférieur travaillent en cycle pour maintenir la température du four.

### Gril (BROIL)

Réglage de température:  
de 50 °C (120 °F) à 250 °C (485 °F)  
(position pré-réglée 230 °C (445 °F))

Le gril utilise la chaleur intense émise depuis l'élément supérieur.












### Décongélation (CONV)

La décongélation n'utilise aucun élément chauffant, mais uniquement le ventilateur de convection pour décongeler les aliments.

**Fonction de cuisson**

Tout type de four offre des possibilités variées de cuisson, pouvant être choisie en amenant le bouton sur le symbole s'y rapportant.

<b>Icône</b>	<b>Mode Description</b>	<b>Utilisé pour...</b>
<b>OFF</b>	Tous les modes de cuisson sont éteints (OFF) et les éléments de chauffages du four sont éteints OFF.	---
	Seulement l'éclairage est en fonction.	---
	Dans ce mode, uniquement le ventilateur à convection du four interne est en marche (ON), le four ne chauffe pas.	Ce mode sert à décongeler les aliments surgelés.
	Sur le mode Cuisson (Bake) les éléments de chauffage du four supérieur (haut) et inférieur (bas) sont utilisés pour chauffer l'air du four. Cependant, le ventilateur n'est pas utilisé pour faire circuler l'air.	C'est le mode traditionnel de cuisson sur une grille. Par conséquent, uniquement une grille peut être utilisée lorsque vous sélectionnez le mode Cuisson (Bake). Idéal pour les amusegueule, biscuits et les petits gâteaux.
	Le mode de Cuisson par convection (Convection Roast) utilise le chauffage du four supérieur (haut), le chauffage du four inférieur (bas) et le ventilateur de convection à l'intérieur du four.	Idéal pour rôtir un poulet ou une dinde entière ou une pizza. Il peut aussi être utilisé pour cuisiner des amusegueule, des biscuits, et des petits gâteaux sur un niveau ou plusieurs.
	Le mode cuisson par convection (Convection Bake) utilise le troisième élément de chauffage ou le circulaire derrière la cloison de la paroi arrière du four. La chaleur circule dans le four grâce au ventilateur à convection.	Il est possible de cuire les mêmes aliments qu'avec la cuisson par convection, cuire plusieurs plats à un ou plusieurs niveaux. Donc plusieurs plats peuvent être cuits en même temps (maximum trois niveaux) et on peut préparer un repas entier (petites portions). Le mélange des saveurs est évité et un important gain d'énergie est obtenu.
	Le mode de convection inférieur (Convection Down) utilise l'élément inférieur (bas) et le ventilateur interne.	Utile pour les soufflés, les pizzas et les pâtisseries.
	Le mode grill par convection (Convection Grill) combine la chaleur intense du chauffage supérieur (haut) avec la chaleur qui circule grâce au ventilateur à convection.	Idéal pour les steaks, les hamburgers, les demi-poulets ou des blancs de poulet.
	Le mode Grill utilise une chaleur intense émise par le chauffage supérieur (haut).	Idéal pour préparer des rôtis, des gratins, des grillades.
	La durée standard est de 1.30 h et peut être modifiée (voir pag.54)	PYRO ou mode auto-nettoyage (self-cleaning). Ici, le four est automatiquement nettoyé en brûlant les résidus de nourriture à température élevée (environ 460°C) de 1 h à 3 h. Pendant l'autonettoyage, les fumées produites sont filtrées et rejetées ensuite dans l'air.

**CONSEILS RAPIDES**

**CUISSON À CONVECTION**

**À propos de la cuisson à convection**

Les modes de cuisson normaux (cuire, griller, etc.) utilisent de la chaleur irradiée d'un ou de plusieurs éléments pour cuire la nourriture. Les modes de cuisson à convection utilisent la chaleur des éléments et des ventilateurs situés dans la paroi arrière du four pour faire circuler continuellement l'air chauffé dans le four.

**Avantages de la cuisson à convection**


- Cuisson, brunissage et croustillance uniformes.
- Les jus et les saveurs sont scellés à l'intérieur de l'aliment.
- Les aliments cuits à l'air chaud tels que les choux à la crème, les soufflés, les meringues et les pains montent davantage et sont plus légers.
- Cuisson sur plusieurs grilles.
- Ne nécessite aucun ustensile de cuisson spécial.
- Économise du temps et de l'énergie.

**N'utilisez PAS la cuisson à convection pour les viandes. Utilisez plutôt le rôtissage à convection.**

Mode	Utilisez ce mode pour	Pour de meilleurs résultats	Conseil de cuisson rapide
<b>Cuisson à convection</b>	<ul style="list-style-type: none"> <li>• De grandes quantités de nourriture répartie sur plusieurs grilles.</li> <li>• Les pâtisseries, le pain, les collations, les aliments et les amuse-gueules.</li> </ul>	<ul style="list-style-type: none"> <li>• Utilisez des casseroles non couvertes et peu profondes.</li> <li>• Centrez les plaques de cuisson sur la grille.</li> </ul>	<ul style="list-style-type: none"> <li>• Réduisez la température suggérée dans la recette de 15 °C (25 °F)</li> <li>• Vérifiez la cuisson des aliments plus tôt: <b>Si la recette demande que l'on vérifie la cuisson de l'aliment</b> 1 à 15 min vérifiez 3 min plus tôt 16 à 30 min vérifiez 5 min plus tôt 31 min à 1h vérifiez 10 min plus tôt</li> </ul>
<b>Gril à convection</b>	<ul style="list-style-type: none"> <li>• Les coupes de viande tendre et plus épaisse, la volaille et le poisson.</li> <li>• N'utilisez PAS ce mode de cuisson pour le brunissage des pains ou des plats en casserole.</li> </ul>	<ul style="list-style-type: none"> <li>• Les viandes doivent avoir au moins 1 po d'épaisseur.</li> </ul>	<ul style="list-style-type: none"> <li>• Pour la cuisson au gril, aucune conversion n'est nécessaire</li> <li>• Reportez-vous au tableau aide-mémoire du gril à convection dans ce manuel pour connaître les temps de cuisson.</li> </ul>
<b>Rôtissage à convection</b>	<ul style="list-style-type: none"> <li>• De grandes coupes tendres de viandes et de la volaille telles qu'un rôti ou un poulet entier.</li> </ul>	<ul style="list-style-type: none"> <li>• Ne couvrez PAS la viande et n'utilisez pas de sacs de cuisson.</li> <li>• Reportez-vous au tableau aide-mémoire du rôtissage à convection dans ce manuel pour connaître les temps de cuisson.</li> </ul>	<ul style="list-style-type: none"> <li>• Ne changez PAS la température suggérée dans la recette.</li> </ul>

### Réglage manuel du fonctionnement du four

Tourner le bouton de mode sur la position souhaitée ; l'horloge affiche **On** pendant quelques secondes. Le four peut fonctionner jusqu'à 12 heures maximum. Selon le modèle de four, les fonctions disponibles peuvent être différentes en nombre et en type.

En affichage horloge, une fonction est active, le symbole  apparaît (il ne s'affiche pas dans les positions lumière).

Tourner le sélecteur Température & Temps et régler la température du four souhaitée. Le système prévoit une température préréglée (PRESET) pour chaque mode de cuisson ou une pleine gamme entre MIN. et MAX. à régler manuellement. Vérifier la valeur affichée après avoir sélectionné la température.

La température apparaît sur l'affichage de l'horloge après la pression du sélecteur Temps & Température ou bien juste après la sélection d'une nouvelle fonction.

Dès que le four démarre, le voyant de préchauffage (indiqué par les barres) dans la partie inférieure de l'affichage de l'horloge se met à clignoter ; il passe au fixe quand le préchauffage s'achève. Avec émission d'un signal sonore.

Tourner le sélecteur de mode sur la position ZÉRO (OFF) pour arrêter toute activité ; la mention **OFFs** s'affiche quelques secondes.

#### Réglage du fonctionnement automatique du four

Après avoir sélectionné une fonction comme il a été indiqué ci-dessus, il est possible de programmer des activités de cuisson temporisées. Le programme temps reste actif même si l'on change de fonction (exception, la pyrolyse). Les possibilités disponibles sont les suivantes :

1. Cuisson temporisée avec réglage du temps de cuisson (durée)
2. Cuisson temporisée avec réglage de la fin du temps de cuisson (heure d'arrêt)
3. Cuisson retardée avec réglage de la durée et de l'heure d'arrêt.


Appuyer sur le bouton pour commuter entre la modalité durée de cuisson (temps de cuisson) et la modalité fin du temps de cuisson (heure d'arrêt). Les mots « dur » ou « End » s'affichent respectivement.

Tourner le bouton à gauche ou à droite pour éditer la valeur de la durée ou l'heure d'arrêt quand la mention correspondante est affichée.

1. Quand la mention **dur** est affichée, le système affiche comme durée de cuisson standard la valeur **30'**. Tourner le bouton à gauche ou à droite pour régler la durée de cuisson effectivement souhaitée sur une plage comprise entre 0 et 240 minutes. On verra s'afficher en clignotant la mention dur et sa valeur de façon alternée quelques secondes, puis on verra s'afficher l'heure, le symbole de la casserole et la lettre **A** qui indique qu'une cuisson temporisée est active. La fin de la durée de cuisson est mise à jour automatiquement.

2. Quand le mot End s'affiche, le système affiche l'heure actuelle comme heure d'arrêt initiale. Pour régler l'heure de fin de cuisson effectivement souhaitée sur une plage de 24 heures :

- Tourner le bouton à gauche/à droite, les heures clignotent.
- Tourner le bouton à droite/gauche pour modifier la valeur clignotante des heures.
- Appuyer sur le bouton pour se déplacer des heures aux minutes ou attendre quelques secondes jusqu'à ce que les minutes clignotent.
- Pour modifier la valeur clignotante des minutes, tourner le bouton à gauche ou à droite.
- Attendre jusqu'à ce que la nouvelle valeur de fin de temps de cuisson s'arrête de clignoter.


On verra s'afficher en clignotant la mention **End** et sa valeur de façon alternée quelques secondes, puis on verra s'afficher l'heure, le symbole  et la lettre **A** qui indique qu'une cuisson temporisée est active. La durée de cuisson est mise à jour automatiquement.

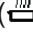
3. Répéter les mêmes opérations qu'au point 1 puis appuyer sur le bouton jusqu'à ce que la mention End s'affiche. Le système affiche comme heure d'arrêt initiale la valeur « heure actuelle + durée de cuisson ». Il n'est pas possible d'abaisser la fin de la durée de cuisson au-dessous de cette valeur. Pour régler l'heure de fin de cuisson effectivement souhaitée sur une plage de 24 heures :

- Tourner le bouton à gauche/à droite, les heures clignotent.
- Tourner le bouton à droite/gauche pour modifier

la valeur clignotante des heures.

- Appuyer sur le bouton pour se déplacer des heures aux minutes ou attendre quelques secondes jusqu'à ce que les minutes clignotent.
- Tourner le bouton à droite/gauche pour modifier la valeur clignotante des minutes.
- Attendre jusqu'à ce que la nouvelle valeur de fin de temps de cuisson s'arrête de clignoter.

On verra s'afficher en clignotant la mention **End** et sa valeur de façon alternée quelques secondes, puis on verra s'afficher l'heure et la lettre **A** qui indique qu'une cuisson retardée a été programmée. Dès que le temps de retard s'achève, le four se met en marche et travaille pendant le temps de cuisson programmé. Le symbole  s'affiche.

À la fin d'une quelconque activité temporisée, le dispositif de commande éteint le four, l'avertisseur sonore émet une séquence d'avertissement (deux bip courts répétés toutes les 3 secondes) pour attirer l'attention de l'utilisateur pendant un temps maximum et les icônes relatives au temps (, **A**) clignotent. Appuyer sur le bouton pour éteindre l'avertisseur sonore et acquitter le message d'avertissement.

Tourner le sélecteur de mode sur la position ZÉRO (OFF) avant d'utiliser à nouveau le four.



### Conseils et technique de cuisson

La cuisson est une sorte de cuisson à air chaud. Les éléments supérieur et inférieur sont utilisés pour chauffer l'air mais le ventilateur n'est pas utilisé pour faire circuler la chaleur.

Suivez la recette ou les instructions pour la température de cuisson et la position de la grille. Le temps de cuisson varie avec la température des ingrédients et leur taille, leur forme et la finition du plat de cuisson.

#### Guides générales

- Pour de meilleurs résultats, cuisiner les aliments, cuisinez sur une simple grille avec au moins 1" - 1½" (2,5 – 3 cm) d'espace entre les plats et les parois du four.
- N'utilisez qu'une grille lorsque vous choisissez le mode cuisson.
- Vérifiez la cuisson au temps minimum.
- Utilisez des plats en métal (avec une finition antiadhésive ou non), en verre résistant à la chaleur, en verre céramique, en poterie ou d'autres plats appropriés au four.
- Lorsque vous utilisez un plat en verre résistant à la chaleur, réduisez la température de 25°F (15°C) par rapport à la température recommandée.
- Utilisez des plats avec ou sans bord.
- Des plats en métal foncé ou avec des finitions non adhésives cuiront plus vite en brunissant plus le met. Des plats isolés ralentiront légèrement le temps de cuisson dans la plupart des cas.
- N'utilisez pas de feuille en aluminium ou de plateaux en aluminium. Une feuille est un excellent isolant de chaleur et donc la chaleur sera attrapée dessous. Cela altère la performance de cuisson et cela endommage la finition du four.
- Évitez de placer sur la porte ouverte des plats.
- Veuillez lire 58 Solution des problèmes de cuisson.

#### Tableau de cuisson

ALIMENTS	POSITION DE GRILLE	TEMP. °F (°C) (FOUR PRÉCHAUFFE)	TEMPS (MIN)
<b>Gâteau</b>			
Petits gâteaux	2	350 (175)	17-19
Gâteau bundt	1	350 (175)	37-43
Gâteau des anges	1	350 (175)	35-39
<b>Tarte</b>			
2 croûtes, fraîches, 9po	2	375-425 (190-220)	45-55
2 croûtes, fruits surgelés, 9po	2	375 (190)	68-78
<b>Biscuit</b>			
Sucre	2	350-375 (175-190)	6-11
Brisures de chocolat	2	350-375 (175-190)	8-13
Carrés au chocolat (brownies)	2	350 (175)	29-36
<b>Pains</b>			
Pain à levure, 9x5	2	375 (190)	18-22
Petits pains à levure	2	375-400 (190-205)	12-15
Biscuits	2	375-400 (190-205)	11-15
Muffins	2	425 (220)	15-19
<b>Pizza</b>			
Surgelée	2	400-450 (205-235)	23-26
Fraîche	2	425-450 (220-235)	12-15

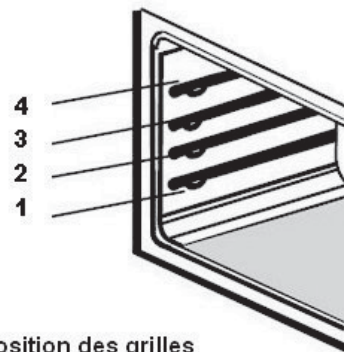
 **Conseils et techniques de convection européenne**

Réduisez les températures de recette de cuisson de 25°F (15°C).

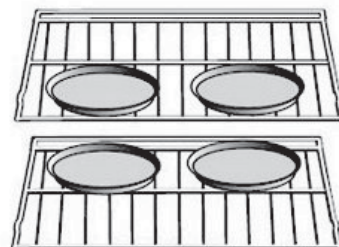
- Pour de meilleurs résultats, il faut cuire les aliments non couverts, dans des plats à bord bas pour mieux profiter de la circulation d'air forcé. Utilisez des plats en aluminium brillant pour de meilleurs résultats à moins que cela soit spécifié autrement.
- Le verre résistant à la chaleur et la céramique peuvent être utilisés. Réduisez encore la température de 25°F (15°C) si vous utilisez un verre résistant à la chaleur, donc une réduction totale de 50°F (30°C).
- Les plats en métal foncé peuvent être utilisés. Notez que la nourriture peut brunir plus vite lorsque vous utilisez un plat en métal foncé.
- Le nombre de grilles utilisées est déterminé par la hauteur des aliments à cuire.
- Les aliments cuits, en général, cuisent extrêmement bien avec la convection. N'essayez pas de convertir des recettes comme les crèmes anglaises, les quiches, les tartes à la citrouille, les tartes au fromage, qui ne tirent pas de bénéfice de la convection. Utilisez le mode de cuisson normal pour ces recettes.
- Plusieurs grilles de cuisson sont disponibles aux positions 1, 2 et 3. Les quatre grilles peuvent être utilisées pour des gâteaux, des biscuits et des biscuits apéritifs.
  - 2 grille de cuisson : Utilisez positions 1 et 3.
  - 3 grille de cuisson : Utilisez positions 2, 3 et 4.
  - Lorsque vous cuisez plusieurs gâteaux en même temps, distribuez les plats de telle façon qu'ils ne soient pas juste l'un au-dessus de l'autre. Pour de meilleurs résultats, placez les gâteaux devant sur la grille du dessus et à l'arrière sur la grille du dessous. (Voyez le dessin à droite). Laissez 1" - 1 1/2" (2,5 - 3 cm).
- Convertir vos propres recettes peut être facile. Choisissez une recette qui marche bien en convection.
- Réduisez la température et le temps de cuisson si nécessaire. Il peut parfois y avoir des essais et des erreurs avant d'arriver au résultat parfait. Gardez des traces de votre technique pour la prochaine préparation à convection.
- Veuillez lire 58 Solution des problèmes de cuisson

**Aliments recommandés pour le mode convection européenne :**

Biscuits apéritifs Biscuits pour café Gâteaux  
Biscuits (2 à 4 grilles) levure pains  
Choux à la crème  
Popovers  
Casseroles et Entrées un plat  
Plats à four (grille positions 1, 2, 3)  
Aliments levés à la levure (Soufflés, Meringue, Desserts garnis de meringue, Gâteaux ange, Gâteaux mousseline)



Position des grilles



Positions des modules plusieurs grilles

**Conseils rapides et faciles de recette**

Convertir de la **CUISSON** à la **CONVECTION EUROPÉENNE**:

- Réduisez la température de 25°F (15°C).
- Utilisez le même temps de cuisson que la cuisson normale si la durée est de 10 à 15 minutes.
- Les aliments avec un temps de cuisson de moins de 30 minutes doivent être vérifiés pour leur cuisson 5 minutes plus tôt que dans les recettes standard.
- Si la nourriture cuit plus de 40 - 45 minutes, réduisez le temps de cuisson de 25%.

*Tableau de convection européenne*

Réduisez la température standard des recettes de 25°F(15°C) pour la convection européenne  
Les températures ont été réduites dans ce tableau.

ALIMENTS	POSITION DE GRILLE	TEMP. °F (°C) (FOUR PRÉCHAUFFE)	TEMPS (MIN)
<b>Gâteau</b>			
Petits gâteaux	2	325 (160)	17-19
Gâteau bundt	1	325 (160)	37-43
Gâteau des anges	1	325 (160)	35-39
<b>Tarte</b>			
2 croûtes, fraîches, 9po	2	350-400 (175-205)	45-55
2 croûtes, fruits surgelés, 9po	2	350 (175)	68-78
<b>Biscuit</b>			
Sucre	2	325-350 (160-175)	6-11
Brisures de chocolat	2	325-350 (160-175)	8-13
Carrés au chocolat (brownies)	2	325 (160)	29-36
<b>Pains</b>			
Pain à levure, 9x5	2	350 (175)	18-22
Petits pains à levure	2	350-375 (175-190)	12-15
Biscuits	2	350-375 (175-190)	11-15
Muffins	2	400 (205)	15-19
<b>Pizza</b>			
Surgelée	2	375-425 (190-220)	23-26
Fraîche	2	400-425 (205-220)	12-15

Dans le tableau ci-dessus, TEMPÉRATURE et TEMPS concernent le réglage 240 V.  
Ce tableau est un guide. Suivez la recette ou les instructions figurant sur l'emballage et réduisez la température en conséquence.





**Conseils et techniques de convection cuisson**

- Préchauffez le rôtissage à convection.
- Rôtissez dans un plat peu profond et non couvert.
- Lorsque vous rôtissez des poulets entiers ou des dindes, groupez les ailes et attachez légèrement les pattes avec une ficelle de cuisine.
- Utilisez le plat de grill 2-pièces pour les rôtissages non-couverts.
- Utilisez la sonde ou le thermomètre pour déterminer la cuisson intérieure sur la température "END" (fin) (voir le tableau de cuisson) .
- Vérifiez de nouveau la température de la viande/ volaille en insérant le thermomètre à viande dans une autre position.
- Lorsque vous rôtissez un gros rôti ou une dinde, il faut parfois tourner le plat pendant le temps de rôtissage. Cela permet de rôtir plus uniformément. Les gros oiseaux peuvent aussi devoir être couverts de feuille (et les plats rôtis) pendant une partie du temps de rôtissage pour que le met ne brûle pas.

**Conseils de recettes faciles et rapides**

Conversion de la **CUISSON**  
au **CONVECTION CUISSON**:

- Les températures ne doivent pas être diminuées.
- Les rôtis, les gros morceaux de viande et de volaille prennent généralement de 10 à 20% moins de temps. Vérifiez la cuisson plus tôt.
- Casseroles ou plat à rôti qui sont cuits couverts par ROTISSAGE A CONVECTION cuiront le même temps que
- La température minimum de sécurité pour la farce dans la volaille est de 165°F (75°C).
- Après avoir enlevé le plat du four, couvrez-le partiellement de feuille pendant 10 à 15 minutes avant de le couper.
- Lorsqu'il est couvert, la température du rôti augmente de 5°F à 10°F (3° à 6°C).

**Tableau de convection cuisson**

VIANDES	POIDS (lb)	TEMP. FOUR °F (°C)	POSITION GRILLE	TEMPS RÔTISSAGE (min. per lb)	TEMP. INTERNE °F (°C)
<b>Boeuf</b>					
Côte de boeuf	4-6	325 (160)	2	24-30 27-33	145 (63) med saignant 160 (71) médium
Rosbif de faux-filet (sans os)	4-6	325 (160)	2	22-30 27-33	145 (63) med saignant 160 (71) médium
Pointe de surlonge (sans os)	3-6	325 (160)	2	22-28 27-33	145 (63) med saignant 160 (71) médium
Filet	2-3	425 (220)	2	15-25	145 (63) med saignant
<b>Porc</b>					
Longe de porc (sans os ou avec os)	5-8	350 (175)	2	20-30	160 (71) médium
Épaule	3-6	350 (175)	2	25-35	160 (71) médium
<b>Volaille</b>					
Poulet-entier	3-4	375 (190)	2	18-21	180 (82)
Dinde non farcie	12-15	325 (160)	1	10-14	180 (82)
Dinde non farcie	16-20	325 (160)	1	9-11	180 (82)
Dinde non farcie	21-25	325 (160)	1	6-10	180 (82)
Poitrine	3-8	325 (160)	1	15-20	170 (77)
Poulet de Comouailles	1-1 ½	350 (175)	2	45-75 total	180 (82)
<b>Agneau</b>					
Demi gigot	3-4	325 (160)	2	25-30 30-35	160 (71) médium 170 (77) bien cuit
Gigot entier	6-8	325 (160)	1	25-30 30-35	160 (71) médium 170 (77) bien cuit

Dans le tableau ci-dessus, TEMPÉRATURE et TEMPS concernent le réglage 240 V. Ce tableau est un guide. Suivez la recette ou les instructions figurant sur l'emballage et réduisez la température en conséquence.

 **Conseils et techniques pour le convection grill**

- Placez le gril dans la position appropriée avant d'allumer votre four.
- Utilisez le gril à convection avec **la porte fermée**.
- Ne pas préchauffé pour le four.
- Utilisez le plat de rôtissage à 2-pièces.
- Tourner les viandes une fois à mi-cuisson du temps de cuisson recommandé (voir le tableau de gril à convection).

**Tableau de convection grill**

ALIMENTS ET ÉPAISSEUR	POSITION DE GRILLE	REGLAGE DU GRIL °F (°C)	TEMP. INTERNE °F (°C)	TEMPS CÔTÉ 1 (MIN.)*	TEMPS CÔTÉ 2 (MIN.)*
<b>Beuf</b>					
Steak (1-1/2po ou plus)					
Médium saignant	2	450 (235)	145 (65)	12-14	11-13
Médium	2	450 (235)	160 (71)	15-17	13-15
Bien cuit	2	450 (235)	170 (77)	18-20	16-17
Hamburgers (plus que 1 po)					
Médium	3	550 (290)	160 (71)	9-11	5-8
Bien cuit	3	550 (290)	170 (77)	11-13	8-10
<b>Volaille</b>					
Poitrine (avec os)	3	450 (235)	180 (82) (Cuisse)	16-18	14-16
Cuisses	3	450 (235)	170 (77)	14-16	12-14
<b>Porc</b>					
Porc Cotelettes (1 1/4po ou plus)	2	450 (235)	160 (71)	12-14	13-15
Saucisses fraîches	3	450 (235)	160 (71)	4-6	3-5

Dans le tableau ci-dessus, TEMPÉRATURE et TEMPS concernent le réglage 240 V.

\* Les temps de gril et de gril à convection sont approximatifs et peuvent varier.

Les temps de cuisson sont indicatifs et dépendent également de l'épaisseur de la viande et de la température de celle-ci avant la cuisson.



### Conseils et techniques de grill

- Placez le grill dans la position appropriée avant d'allumer votre four.
- Utilisez le grill à convection avec **la porte fermée**.
- Ne pas préchauffé pour le four.
- Utilisez le plat de rôtissage à 2-pièces.
- Enduisez les viandes d'huile de cuisson ou du beurre pour qu'elles n'attachent pas.
- Tourner les viandes une fois à mi-cuisson du temps de cuisson recommandé (voir le tableau grill).

### Tableau de grill

ALIMENTS ET ÉPAISSEUR	POSITION DE GRILLE	REGLAGE DU GRIL	TEMP. INTERNE °F (°C)	TEMPS CÔTÉ 1 (MIN.)*	TEMPS CÔTÉ 2 (MIN.)*
<b>Beuf</b>					
Steak (¾ à 1po)					
Médium saignant	3	5	145 (63)	5-7	4-6
Médium	3	5	160 (71)	6-8	5-7
Bien cuit	3	5	170 (77)	8-10	7-9
Hamburgers (¾ à 1po)					
Médium	3	5		7-9	5-7
Bien cuit	3	5	160 (71)	8-10	7-9
<b>Volaille</b>			170 (77)		
Poitrine (avec os)	3	3		14-16	14-16
Cuisses (bien cuit)	3	3	170 (77)	28-30	13-15
<b>Porc</b>			180 (82)		
Porc Cotelettes (1po)	3	5		7-9	5-7
Saucisses fraîches	3	5	160 (71)	5-7 3-5	
Tranche de jambon (½po)	3	5	160 (71)	3-5 4-6	
<b>Seafood</b>					
Fruits de mer	3	4	Cuire jusqu'à opacifié et que l'aliment se défasse facilement avec une fourchette	10-14	Ne pas tourner
Filets de poisson (1po)					
Beurrés					
<b>Agenau</b>					
Côtelettes (1po)					
Médium saignant	3	5	145 (63)	5-7	4-6
Médium	3	5	160 (71)	6-8	5-7
Bien cuit	3	5	170 (77)	8-10	7-9
<b>Pain</b>					
À l'ail (1po) tranches	4	5		2-2,30	
	3	5		4-6	

Dans le tableau ci-dessus, TEMPÉRATURE et TEMPS DE RÔTISSAGE concernent le réglage 240 V. Les temps de cuisson sont indiqués et ils dépendent également de l'épaisseur de la viande et de la température de départ de celle-ci avant la cuisson.

### Guide de température de service de la FSIS (Service d'inspection et securute des aliments USDA)

140°F(60°C)	Jambon précuit (pour réchauffer)	165°F(74°C)	Farce (seule ou dans une voaille)
145°F(63°C)	Bœuf, veau, agneau frais (médium saignant)		Restes, casseroles
160°F(71°C)	Viande hachée et mélange de viande (bœuf, porc, veau, agneau)	170°F(77°C)	Bœuf, veau, agneau frais (bien cuit)
	Bœuf, veau, agneau frais (médium saignant)		Poitrine de volaille
	Porc frais (médium)		Porc frais (bien cuit)
	Jambon Frais (non cuit)	180°F(82°C)	Poulet et dinde (entier)
Platsaux oeufs	Volaille (cuisses, ailes)		
165°F(74°C)	Viande hachée et mélange de viande (dinde, poulet)		Canard et oie

**Remarque** : oeufus (seuls,non dans une recette) - cuire jusqu'à ce que le jaune et le blanc soient fermes.



### Conseils et techniques pour la pizza

- Pizza est un mode de cuisson spécial utilisant de l'air chaud. Les éléments inférieurs fonctionnent par cycle afin de cuire la pizza.
- La température du mode Pizza est préprogrammée à 230 °C (450 °F).
- Les températures de mode Pizza offertes varient de 75 °C (170 °F) à 290 °C (550 °F).
- Utilisez la grille de four ou la grille télescopique.
- Il est possible d'utiliser une plaque à pizza. Dans ce cas, suivez le mode d'emploi de la plaque à pizza.
- Ce mode concerne une cuisson sur une seule grille. Pour une cuisson sur plusieurs grilles, utilisez le mode de cuisson à convection.

#### Tableau de cuisson de pizza

ALIMENTS	POSITION DE LA GRILLE	TEMP. °C ( °F) (FOUR PRÉCHAUFFÉ)	TEMPS (Min)
Pizza			
Surgelée	2 ou 3	190-230 (375-450)	10-15
Fraîche	2 ou 3	190-230 (375-450)	6-12

Dans le tableau ci-dessus, TEMPÉRATURE et TEMPS concernent le réglage 240 V.

Les durées des cuissons sont fournies à titre de référence; elles dépendent également de l'épaisseur et du type de pizza.

Ce tableau est un guide. Suivez la recette ou les instructions figurant sur l'emballage et réduisez la température en conséquence.

## Entretien et nettoyage du four

### Auto-nettoyage du four

Ce four offre une fonction autonettoyante pyrolytique qui élimine le récurage manuel long et ardu de l'intérieur du four. Pendant l'auto-nettoyage, le four utilise une température très élevée (approx. 460 °C / 860 °F) afin de brûler les résidus d'aliment et la graisse.

- Il est courant d'apercevoir de la fumée et/ou des flammes occasionnelles pendant le cycle d'auto-nettoyage, selon le contenu et la quantité de saleté restant dans le four. Si une flamme persiste, éteignez le four et laissez-le se refroidir avant d'ouvrir la porte pour essuyer les résidus en surplus.
- Le loquet de la porte est automatiquement active après la sélection de l'auto-nettoyage. Le symbole de verrouillage de la porte va s'afficher. Cela assure que la porte ne peut pas être ouverte lorsque le four est en auto-nettoyage. L'indication "SYMBOL" (Verrouillage automatique) apparaîtra dans l'affichage. Ceci assure que la porte ne peut être ouverte pendant que l'intérieur du four se trouve à des températures de nettoyage.
- L'éclairage du four ne fonctionne pas pendant ce mode.
- Pendant l'auto-nettoyage, la cuisine doit être bien aérée pour éliminer les odeurs associées à l'auto-nettoyage. Les odeurs seront moindres avec l'utilisation.
- La durée préprogrammée du nettoyage est de 1h:30.
- Le mode s'arrête automatiquement à la fin des heures de nettoyage.
- Lorsque la température du four descend à une température plus sûre, le verrouillage automatique de la porte se déverrouille et la porte peut être ouverte.

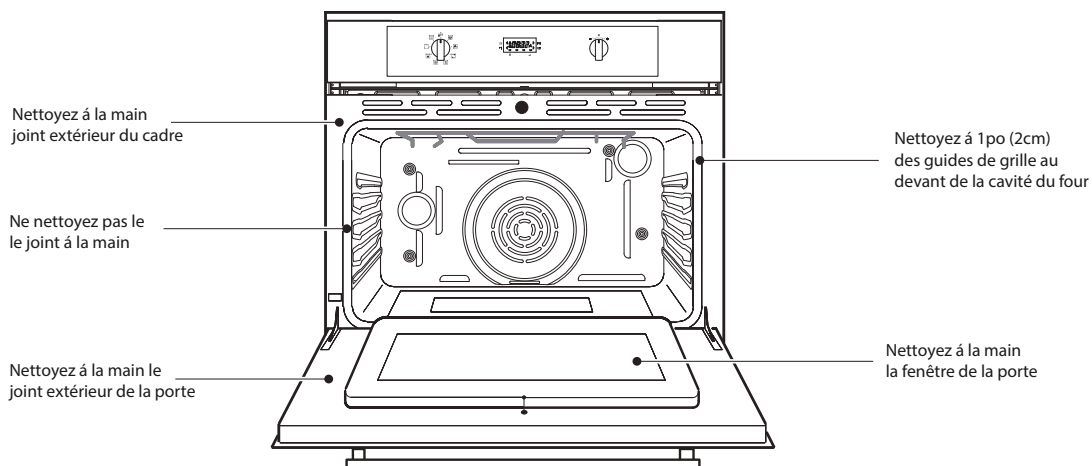
### Préparation du four pour l'auto-nettoyage

1. Enlevez tous les ustensiles et les plats.
2. Enlevez les grilles de four qui ne sont pas en porcelaine.

## ATTENTION

**Si des grilles chromées sont laissées dans le four pendant le cycle d'auto-nettoyage, elles perdront leur fini lustré de manière permanente et prendront un fini mat obscur. Pour un nettoyage adéquat, consultez le tableau de nettoyage aux pages 55 à 56.**

3. Nettoyez tout résidu mou et toute graisse à l'aide d'essuie-tout. Un excès de graisse entraînera des flammes et de la fumée à l'intérieur du four pendant l'auto-nettoyage.
4. Revoyez l'illustration ci-dessous. Certaines parties du four doivent être nettoyées à la main avant le début du cycle. Elles ne chauffent pas suffisamment pendant le cycle de nettoyage pour brûler. Utilisez une éponge savonneuse ou en plastique ou un tampon de détergent de S.O.S.®. Nettoyez à la main la bordure de la porte du four, le cadre avant du four et jusqu'à 2-3 cm (1 1/2 po) à l'intérieur du cadre avec du détergent et de l'eau chaude. Ne frottez pas le joint du four. Nettoyez la fenêtre de la porte du four à la main. Rincez complètement toutes les zones, puis séchez-les.
5. Assurez-vous que l'éclairage intérieur du four est éteint et que les ampoules ainsi que les couvercles des ampoules sont en place. Consultez la page 58.





## Réglage du mode d'auto-nettoyage

Avant d'utiliser le mode d'auto-nettoyage, veuillez soigneusement lire la page sur l'entretien et le nettoyage du four et suivre préalablement les instructions de préparation du four avant l'auto-nettoyage. (consultez la page 53)

### Pyrolyse (auto-nettoyage)

Tourner le bouton de mode sur la position correspondante puis appuyer sur le bouton +/- pour mettre en route un cycle de nettoyage.

Il est possible de régler le temps de nettoyage selon les mêmes règles que les fonctions automatiques ; il est donc possible de retarder le cycle pyrolytique.

Le temps de nettoyage maximum permis est de 3 heures, le minimum 1 heure. La durée standard est de 1 heure 30 minutes; l'affichage de l'horloge indique alors **P1:30**. À la fin de l'activité d'auto-nettoyage, l'affichage montre la mention **P---** fixe et la lettre **A** clignotante. Les indications de l'affichage disparaissent quand on place le sélecteur de mode sur la position ZÉRO. La porte reste verrouillée jusqu'à ce que la température du four se soit refroidie au-dessous du seuil de sécurité; ce n'est qu'alors que le système déverrouille la porte.

Le ventilateur de refroidissement se met en route dès que l'on sélectionne la position et augmente sa vitesse quand les parties internes deviennent chaudes. La température du four est réglée automatiquement à 460°C afin d'assurer le nettoyage parfait de la cavité.

Pour utiliser à nouveau le four après une pyrolyse, tourner le sélecteur de mode sur la position ZÉRO (OFF).



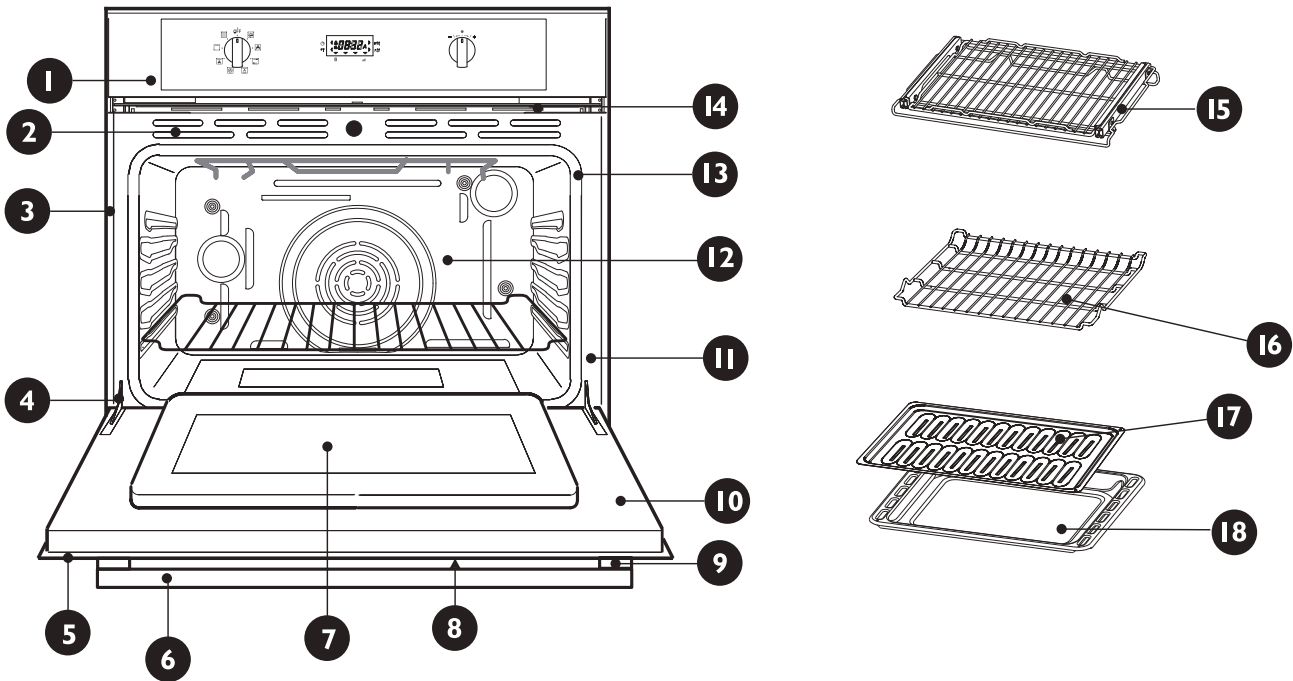
Le système verrouille aussi immédiatement la porte pour garantir la sécurité de l'utilisateur car la température à l'intérieur est très élevée. Un voyant de verrouillage montre le statut du mécanisme de verrouillage à tout moment.

- Porte déverrouillée, voyant de verrouillage éteint
- Porte verrouillée, voyant de verrouillage toujours allumé
- Verrou en mouvement, transition en cours, voyant de verrouillage clignotant.

**Entretien général du four**

**Utilisation du tableau de nettoyage**

1. Repérez le numéro de la pièce à nettoyer dans l'illustration de cette page.
2. Trouvez le nom de la pièce dans le tableau de nettoyage.
3. Faites concorder le chiffre avec la méthode de nettoyage de la page suivante.



**Tableau de nettoyage du four**

Pièce		Méthode de nettoyage	Pièce		Méthode de nettoyage
		Four en acier inoxydable			Four en acier inoxydable
1	Tableau de commande	C-G	11	Cadre avant du four	E
2	Ouvertures de refroidissement de la porte	E	12	Cavité du four	E
3	Baguette de protection	D	13	Joint de porte	B
4	Garniture inférieure	D	14	Ouvertures de refroidissement du four	D
5	Cadre de la porte	E	15	Grille télescopique	A
6	Poignée de la porte	G	16	Grille du four	A
7	Intérieur de la fenêtre de la porte	F	17	Support à lèche-frite	E
8	Devant de la porte	C&G	18	Lèche-frite	E
9	Capuchons d'extrémités	D			
10	Porte du four – Intérieur	E			

Pour la méthode de nettoyage, consultez la page suivante.

## Finis du four / méthodes de nettoyage

Le four entier peut être nettoyé de façon sûre avec une éponge savonneuse, puis rincé et séché. Si des résidus excédentaires restent, suivez les méthodes de nettoyage ci-dessous.

- Utilisez toujours le chiffon le plus doux possible.
- Frottez les finis en métal dans la direction du grain.
- Utilisez des chiffons, des éponges ou des tissus en papier doux et propres.
- Rincez le tout avec un minimum d'eau pour qu'elle ne coule pas dans les fentes de la porte.
- Essayez pour éviter les traces d'eau.

Les nettoyeurs dans la liste ci-dessous indiquent les types de produits à utiliser qu'à titre indicatif. Utilisez tous les produits selon les indications de l'emballage.

Pièce	Méthode de nettoyage
<b>A</b> Fini chromé	Lavez avec de l'eau chaude savonneuse. Rincez et séchez soigneusement. Ou, frottez légèrement avec du Soft Scrub <sup>®</sup> , Bon-Ami <sup>®</sup> , Comet <sup>®</sup> , Ajax <sup>®</sup> , Brillo <sup>®</sup> , ou les tampons S.O.S. <sup>®</sup> . Les nettoyeurs Easy Off <sup>®</sup> ou Dow Aven Cleaners <sup>®</sup> (formule four froid) peuvent être utilisés, mais ils peuvent noircir ou décolorer le fini chromé. Les grilles peuvent être nettoyées dans le four pendant l'auto-nettoyage. Cependant, elles vont perdre leur brillant et devenir grises de façon permanente.
<b>B</b> Tressage en fibre de verre	<b>NE NETTOYEZ PAS LE JOINT A LA MAIN.</b>
<b>C</b> Verre	Vaporisez du Windex <sup>®</sup> ou du Glass Plus <sup>®</sup> d'abord sur le chiffon, ensuite essayez pour nettoyer. Utilisez du Fantastik <sup>®</sup> ou du Formula 409 <sup>®</sup> pour enlever les éclaboussures de graisse.
<b>D</b> Partie peinte	Nettoyez avec une eau savonneuse ou appliquez du Fantastik <sup>®</sup> ou du Formula 409 <sup>®</sup> d'abord sur une éponge propre ou sur des feuilles en papier et essayez pour nettoyer. Évitez d'utiliser des nettoyeurs en poudre ou des tampons métalliques à récurer.
<b>E</b> Porcelaine	Essayez immédiatement les éclaboussures acides comme les jus de fruit, le lait, les tomates avec un chiffon sec. N'utilisez pas d'éponge/chiffon humide sur de la porcelaine chaude. Lorsqu'elle est froide, nettoyez avec de l'eau chaude savonneuse ou appliquez du Soft Scrub <sup>®</sup> ou du Bon-Ami <sup>®</sup> sur une éponge humide. Rincez et séchez. Pour les tâches récalcitrantes, utilisez légèrement du Brillo <sup>®</sup> , ou les tampons S.O.S. <sup>®</sup> . Il est normal que la porcelaine se fendille très légèrement (de fines lignes) avec l'âge à cause des expositions à la chaleur et aux résidus alimentaires.
<b>F</b> Verre réfléchissant	Nettoyez avec de l'eau chaude savonneuse ou un récurer en plastique. Frottez vigoureusement avec du vinaigre, du Windex <sup>®</sup> , de l'ammoniac, ou du Bon-Ami <sup>®</sup> . N'UTILISEZ PAS D'ABRASIFS FORTS.
<b>G</b> Acier inoxydable	Essayez toujours avec un chiffon ou un nettoyeur dans la direction du grain. Nettoyez avec une éponge savonneuse puis, rincez et séchez ou essayez avec du Fantastik <sup>®</sup> ou du Formula 409 <sup>®</sup> vaporisé sur un essuie-tout. Protégez ou polissez avec du Stainless Steel Magic <sup>®</sup> et un chiffon doux. Enlevez les taches d'eau avec un chiffon imbibé de vinaigre blanc. Utilisez du Zud <sup>®</sup> , Cameo <sup>®</sup> , Bar Keeper's Friend <sup>®</sup> ou RevereWare Steel Cleaner <sup>®</sup> , pour enlever la décoloration due à la chaleur.



*Entretien à faire soi-même*  
*Retrait de la porte du four*

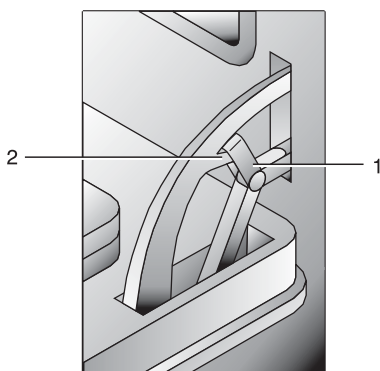
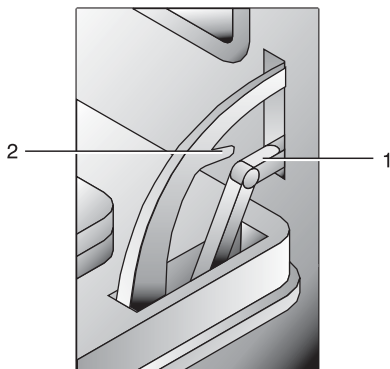


**AVERTISSEMENT**

- Assurez-vous que le four est froid et qu'il est bien éteint avant d'enlever la porte sinon vous pouvez vous électrocuter ou vous brûler.
- La porte du four est lourde et fragile. Utilisez vos deux mains pour enlever la porte du four. Le devant est en verre. Manipulez-la avec soin pour ne pas la briser.
- Ne saisissez que les côtés de la porte du four. Ne saisissez pas la poignée car elle pourrait glisser et provoquer des dégâts ou vous blesser.
- Si vous ne tenez pas la porte du four de façon sûre et correctement, cela pourrait provoquer des dégâts ou blesser des gens.

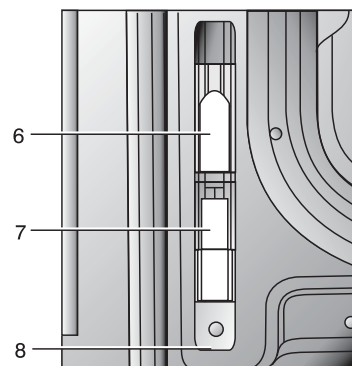
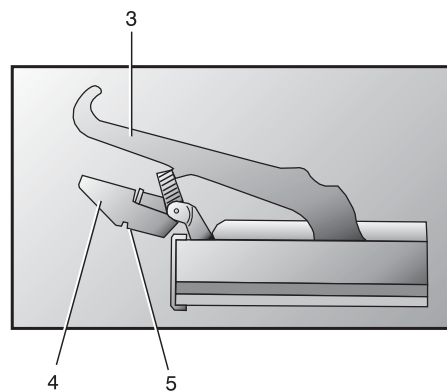
*Pour enlever la porte*

1. Ouvrez la porte complètement.
2. Soulevez les fixations de la charnière (1) de la fente (2).
3. Saisissez la porte fermement des deux côtés en utilisant les deux mains et fermez la porte.
4. Saisissez fermement ; la porte est lourde.
5. Placez la porte dans un endroit adéquat.



*Pour remettre la porte*

1. Insérez les bras de montant (3) des deux charnières dans les fentes supérieures (6) et les montants inférieurs (4) dans les fentes inférieures (7). Les interstices (5) doivent s'accrocher sur les lèvres (8).
2. Insérez les fixations de la charnière (1) vers le bas dans leur position.
3. Fermez et ouvrez la porte doucement pour vous assurer qu'elle est correctement mise en place.



*Entretien à faire soi-même*  
*Remplacement d'une ampoule du four*

- Chaque four est équipé de deux halogènes situés sur la paroi du fond du four.
- Les lumières s'allument lorsque la porte est ouverte ou lorsque le four est dans un cycle de cuisson.
- Les lumières du four ne s'allument pas pendant l'AUTO - NETTOYANT.
- Chaque assemblage d'éclairage comprend une lentille amovible, une lampe à incandescence ainsi qu'une boîte de douille qui sont fixés. Voyez l'illustration de cette page.
- Le remplacement de l'ampoule est considéré comme un entretien de routine.

**Pour remplacer une ampoule**

1. Lisez les AVERTISSEMENTS de cette page.
2. Coupez l'alimentation à la source principale (fusible ou disjoncteur).
3. Dans les fours à convection, enlevez le couvercle du ventilateur en dévissant les quatre vis.
4. Enlevez le couvercle en le dévissant.
5. Enlevez l'ampoule de sa douille en la tirant.
6. Remplacez l'ampoule avec une nouvelle. Evitez de toucher l'ampoule avec vos doigts, car la graisse des mains peut endommager l'ampoule lorsqu'elle devient chaude.
7. L'ampoule est de type halogène: employer un avec les memes Volt et Watt (**voir les figures de cette page**).
8. Vissez la lentille.
9. Remplacez le couvercle du ventilateur si le four en est pourvu.

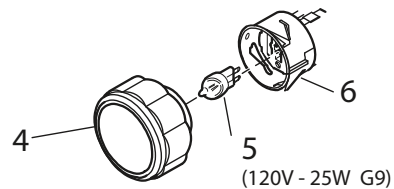
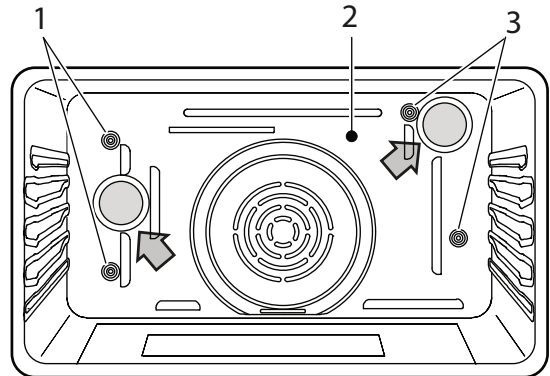
Rebranchez l'alimentation principale à la source principale (fusible ou disjoncteur).



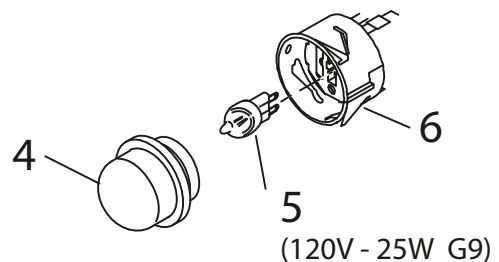
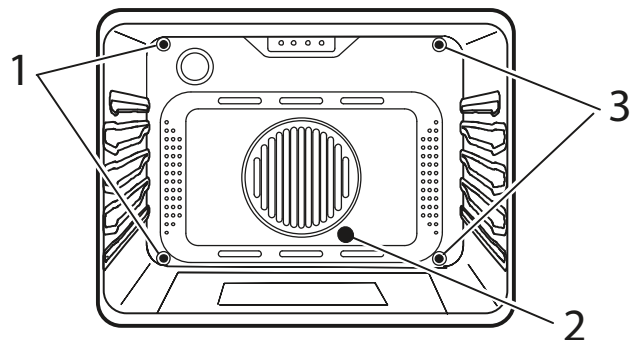
**AVERTISSEMENT**

- Assurez-vous que le four et que les lumières sont froides et que le four est bien éteint avant de remplacer les ampoules. Sinon vous risquez de vous électrocuter ou de vous brûler.
- Les lentilles doivent être remises en place lorsque vous utilisez le four.
- Les lentilles servent à protéger l'ampoule pour qu'elle ne se casse pas.
- Les lentilles sont en verre. Manipulez-les avec précaution pour éviter de les casser. Les verres cassés peuvent blesser.

**30"**



**24"**



## Résolution de problèmes concernant la cuisson et le rôtissage

Avec la cuisson au four ou la cuisson à convection et le rôtissage à convection, plusieurs raisons autres que le mauvais fonctionnement du four peuvent être à l'origine de résultats mitigés.

Reportez-vous aux tableaux de cuisson des pages 46 à 52.

Problème concernant la cuisson et le rôtissage	Cause
Aliment brunissant de façon inégale	<ul style="list-style-type: none"> <li>• Four non préchauffé</li> <li>• Papier aluminium sur la grille ou au fond du four</li> <li>• Plat de cuisson trop grand pour la recette</li> <li>• Plat touchant aux autres plats ou à la paroi du four</li> </ul>
Aliment trop brun au fond	<ul style="list-style-type: none"> <li>• Four non préchauffé</li> <li>• Utilisation de plat en verre, mat ou foncé</li> <li>• Position de grille incorrecte</li> <li>• Plat touchant aux autres plats ou à la paroi du four</li> </ul>
Aliment sec ou ayant excessivement rétréci	<ul style="list-style-type: none"> <li>• Température du four trop élevée</li> <li>• Temps de cuisson trop long</li> <li>• Porte du four trop souvent ouverte</li> <li>• Plat trop grand</li> </ul>
Aliment cuisant ou rôtissant trop lentement	<ul style="list-style-type: none"> <li>• Température du four trop basse</li> <li>• Four non préchauffé</li> <li>• Porte du four trop souvent ouverte</li> <li>• Plat scellé hermétiquement avec du papier aluminium</li> <li>• Plat trop petit</li> </ul>
Croûte à tarte non brunie au fond ou croûte non cuite	<ul style="list-style-type: none"> <li>• Temps de cuisson pas assez long</li> <li>• Utilisation de plat en acier brillant</li> <li>• Position de grille incorrecte</li> <li>• Température du four trop basse</li> </ul>
Gâteau pâle, plat, ou non cuit à l'intérieur	<ul style="list-style-type: none"> <li>• Température du four trop basse</li> <li>• Temps de cuisson incorrect</li> <li>• Cuisson vérifiée trop tôt</li> <li>• Porte du four trop souvent ouverte</li> <li>• Plat trop grand</li> </ul>
Gâteau élevé au centre avec craquelure sur le dessus.	<ul style="list-style-type: none"> <li>• Température du four trop élevée</li> <li>• Temps de cuisson trop long</li> <li>• Plat touchant aux autres plats ou à la paroi du four</li> <li>• Position de grille incorrecte</li> <li>• Plat trop petit</li> </ul>
Bords de croûte de tarte trop bruns	<ul style="list-style-type: none"> <li>• Température du four trop élevée</li> <li>• Bords de croûte trop minces</li> </ul>

**Résolution des problèmes de fonctionnement**

Avant d'appeler un technicien, vérifiez ce qui suit pour éviter des frais de service non nécessaires.

Problème relié au four	Étapes de résolution de problèmes
Erreur E008 figurant à l'affichage	Il y a un problème avec le loquet de verrouillage. Mettez le four hors marche et remettez-le en marche après quelques secondes. Le four effectuera un test automatique de loquet. Si le problème persiste, notez le code d'erreur et contactez le centre de service agréé.
Autre erreur E figurant à l'affichage	Mettez l'appareil hors marche et remettez-le en marche après quelques secondes. Si le problème persiste, notez le code d'erreur et contactez le centre de service agréé.
L'affichage du four reste éteint	Coupez l'alimentation à la source principale (fusible ou disjoncteur). Réengagez le disjoncteur. Si le problème persiste, contactez le centre de service agréé.
Le ventilateur de refroidissement continue à fonctionner même si le four est hors marche	Le ventilateur se met automatiquement hors marche lorsque les composants électroniques sont suffisamment froids.
La porte est verrouillée et ne s'ouvre pas même après le refroidissement	Mettez le four hors marche par le disjoncteur et attendez quelques secondes. Réengagez le disjoncteur. Le four devrait se réinitialiser seul et être utilisable.
Le four ne chauffe pas	Vérifiez le disjoncteur et les fusibles de chez vous. Vérifiez que la température du four est correctement sélectionnée.
Le four ne cuit pas uniformément	Reportez-vous aux tableaux de cuisson pour la position des grilles recommandée. Réduisez toujours votre recette de 15 °C (25 °F) lorsque vous cuisinez avec le mode de cuisson à convection.
La température du four est trop froide ou trop chaude	Le thermostat du four doit être réglé. Voyez Réglage de la température du four, Page 44.
L'éclairage du four ne fonctionne pas correctement	Remplacez ou réinsérez l'ampoule si elle est desserrée ou défectueuse. Consultez la page 58. Ne touchez pas l'ampoule avec vos doigts car cela peut la faire griller.
L'éclairage du four ne s'éteint pas	Vérifiez si rien n'obstrue la porte du four. Vérifiez si la charnière n'est pas pliée ou que le loquet n'est pas verrouillé.
Impossibilité d'enlever le couvercle de l'ampoule du four	Il se peut qu'il y ait une accumulation de saleté autour du couvercle de l'ampoule. Essayez-le avec un chiffon sec et propre avant d'essayer d'enlever le couvercle de l'ampoule.
L'auto-nettoyage du four ne fonctionne pas correctement	Laissez le four refroidir avant l'auto-nettoyage. Essayez toujours les résidus ou les éclaboussures avant l'auto-nettoyage. Si le four est vraiment sale, réglez l'auto-nettoyage sur 4 heures. Consultez Préparation du four pour l'auto-nettoyage aux pages 53 à 54.
L'horloge et la minuterie ne fonctionnent pas correctement	Assurez-vous que le four est bien branché. Consultez Horloge et minuterie à la page 39.
Humidité excessive	Lorsque vous utilisez le mode Cuisson, préchauffez d'abord le four. La cuisson à convection et le rôtissage à convection éliminent l'humidité du four (c'est un des avantages de la convection).
Éclats de porcelaine	Lorsque vous enlevez et remplacez les grilles, inclinez-les toujours vers le haut et ne forcez pas pour éviter les éclats de porcelaine.

**Données de service**

**Pour un centre de service autorisé ou de l'information sur les pièces, voir le paragraphe "Garantie ... "**

L'emplacement du numéro de série sur le produit est visible sur la porte du four lorsque la porte du four est ouverte. Il est situé du côté gauche, centré verticalement juste en dessous de la cavité du four. Consultez la page 35. Notez cette information dans l'espace prévu à cet effet ci-dessous. Gardez votre facture pour la validation de votre garantie.

Numéro de modèle \_\_\_\_\_ Numéro de série \_\_\_\_\_ Date d'installation ou Occupation \_\_\_\_\_

**GARANTIE Fulgor Milano sur les appareils électroménagers****Durée de la garantie:**

La garantie Fulgor Milano couvre, pendant vingt-quatre mois à partir de la date originale d'achat, toutes les pièces et le travail mis en œuvre pour la réparation et le remplacement de toutes parties du produit utilisées dans un contexte résidentiel normal et frappées de vices de matériau et de fabrication.

**Conserver la facture originale et le bordereau de livraison comme attestation du droit à la garantie.**

Pour pouvoir bénéficier du service de garantie, procéder de la manière suivante:

1. Contactez le service agréé Fulgor-Milano
  - a. Pour toute l'Amérique du Nord:  
En ligne à <http://www.thevettagroup.com/servicerequest.a5w>
  - b. Aux États-Unis par courrier électronique à [fulgor@adcoservice.com](mailto:fulgor@adcoservice.com) ou par numéro sans frais au 1-855-4-fulgor (1-855-438-5467)
  - c. Dans l'est du Canada (Ontario-> Est)  
par e-mail au [service@distinctive-online.com](mailto:service@distinctive-online.com) ou par numéro sans frais 1-800-361-0799
  - d. Dans l'est du Canada (Manitoba-> Ouest)  
par e-mail au [service@pacispecialtybrands.com](mailto:service@pacispecialtybrands.com) ou par numéro sans frais 1-877-430-5253 x106
2. Présentez une copie de votre ticket d'achat original avec le numéro de modèle et le numéro de série du produit.
3. Permettez à Fulgor Milan de vérifier votre réclamation avant que le Produit ou une quelconque partie du Produit aient été modifiées ou supprimées

**CLAUSES DE GARANTIE**

Cette garantie est valable uniquement dans les 50 états continentaux des États-Unis et au Canada. Elle s'applique uniquement à l'acheteur original et n'est pas transférable. Tous les services fournis par Fulgor Milano au titre de la garantie doivent être effectués auprès d'un service d'assistance agréé Fulgor Milano sauf indication contraire de ce dernier. Les services seront prêtés aux heures de travail habituelles de chaque région. La présente garantie s'applique uniquement aux produits achetés auprès d'un revendeur autorisé à travers une chaîne de distribution agréée; il est destiné à une utilisation résidentielle normale, tout usage commercial ou installation sur une embarcation étant expressément exclus. La garantie couvre les activités réalisées sur le site d'installation du produit; les frais d'une réparation réalisée en un autre lieu sont exclus sauf autorisation expresse de Fulgor Milano. Les frais de déplacement dérivés d'une prestation d'assistance à réaliser dans un endroit éloigné sont exclus. Par endroit éloigné, on entend à une distance supérieure à un rayon de 50 miles (80 kilomètres) du siège du revendeur autorisé. Cette garantie ne couvre pas les pièces de rechange ni les réparations en cas de défaillances dérivées de négligence, transport, livraison, tension inadéquate, accident ou usage, entretien, installation, révision ou réparation ou installation impropres, ce qui comprend notamment, entre autres, le démontage et la réinstallation impropres d'un composant du produit quel qu'il soit (par exemple démontage des poignées pour le faire passer par une porte) avant ou pendant la livraison/installation du produit.

Les interventions décrites ici sont les seules que fournit Fulgor Milano aussi bien au titre de cette garantie que dans le cadre de toute autre garantie applicable aux termes de la loi.

Fulgor Milano n'est pas responsable de la perte du produit par détérioration ou par combustion, ni des dommages subis par le mobilier et les matériaux de construction ou de finition, notamment les revêtements de sol.

Fulgor Milano décline toute responsabilité pour tout dommage consécutif ou indirect dérivé du non-respect de ces garanties ou d'autres garanties explicites, implicites ou obligatoires.

La présente garantie ne deviendra valide et efficace qu'avec la présentation du document attestant la date d'achat de l'appareil, précisément de la facture ou du ticket d'achat ou tout document équivalent indiquant le nom du vendeur, la date de livraison et les données d'identification de l'appareil (par ex. numéro du modèle, numéro de série). Dans le cas d'un produit neuf inclus dans l'achat d'une nouvelle construction résidentielle, la garantie s'applique au premier habitant des locaux contenant le produit Fulgor Milano et la date de prise d'effet de la garantie sera celle de prise de possession de la résidence (certificat d'occupation requis) et, de toutes façons, à six mois au plus de la date d'achat du produit par la société auprès du distributeur ou revendeur.

Cette extension ne s'applique pas aux éléments décrits dans la note 1 ci-dessous.

Cette garantie n'est valide que si la différence entre la date d'achat et la date de fabrication du produit est inférieure à un an.

Un produit resté en stock pendant plus d'un an sera couvert par la garantie Stock B/Modèle destiné à l'exposition de Fulgor Milano.

Pendant la période de garantie, Fulgor Milano se réserve le droit d'évaluer l'opportunité de réparer l'appareil ou, à sa discrétion, de le remplacer par un produit Fulgor Milano de caractéristiques et fonctions équivalentes.

Fulgor Milano se réserve le droit de revoir à tout moment la présente garantie.

Certains États ne permettent pas l'exclusion ni la limitation des dommages accessoires ou consécutifs; la limitation ou exclusion visée plus haut pourrait donc ne pas s'appliquer dans votre cas. La présente garantie vous octroie des droits légaux spécifiques; vous pourriez bénéficier d'autres droits qui peuvent varier d'un État à l'autre.

<sup>1</sup>Les portes, poignées, cadres, supports, surfaces intérieures et extérieures du produit sont couverts par une garantie limitée de 30 jours pour défauts cosmétiques en sortie d'usine.

\*Les ampoules électriques de rechange ne sont pas couvertes par la garantie de produit.



Tabela de Contenido	Pagina	Pagina
<b>Precauciones de seguridad</b>	<b>64</b>	
<b>Instrucciones de seguridad</b>	<b>65</b>	
Precauciones de seguridad para el horno	65	
Seguridad para la limpieza del horno	65	
<b>Características de su horno</b>	<b>66</b>	
<b>Generalidades del horno</b>	<b>67</b>	
Antes de utilizar el horno	67	
<b>Consejos generales para el horno</b>	<b>68</b>	
Rejillas del horno	68	
Rejilla extensible de horno	69	
<b>Control electrónico</b>	<b>70</b>	
Descripción del panel de mandos	70	
Programación de las funciones de tiempo	70	
Ajuste de la hora	70	
Ajuste del cuenta-minutos	70	
<b>Cocinar con hornos de convección</b>	<b>71</b>	
Ventajas de cocinar por convección	71	
<b>Modos del horno</b>	<b>73</b>	
<b>Sistemas de cocción</b>	<b>73</b>	
<b>BREVES CONSEJOS</b>	<b>74</b>	
<b>Ajuste manual del funcionamiento del horno</b>	<b>75</b>	
Ajuste del funcionamiento automático del horno	75	
<b>Consejos y técnicas de horneado</b>	<b>77</b>	
Tabla de cocción por horneado	77	
<b>Consejos y técnicas de horneado de convección</b>	<b>78</b>	
Tabla de horneado de convección	78	
<b>Consejos y técnicas del asado de convección</b>	<b>80</b>	
Tabla de asado de convección	80	
<b>Consejos y técnicas de grill de convección</b>	<b>81</b>	
Tabla de grill de convección	81	
<b>Consejos y técnicas del asado</b>	<b>82</b>	
Tabla de asado	82	
		<b>83</b>
		83
		<b>84</b>
		84
		<b>85</b>
		85
		<b>86</b>
		86
		<b>87</b>
		<b>88</b>
		88
		88
		<b>89</b>
		89
		<b>90</b>
		<b>91</b>
		<b>95</b>



### IMPORTANTE

#### Electrodoméstico y horno Precauciones de seguridad

Por favor, lea todas las instrucciones antes de utilizar este electrodoméstico.



### ADVERTENCIA

Su nuevo horno Bosh se ha diseñado como un electrodoméstico seguro y fiable si se usa de la manera apropiada. **Lea atentamente todas las instrucciones antes de utilizar este electrodoméstico. Estas precauciones reducirán los riesgos de sufrir quemaduras, descargas eléctricas, fuego y lesiones. Cuando se utilizan electrodomésticos de cocina es preciso seguir algunas precauciones básicas de seguridad, incluidas las siguientes:**

Un técnico calificado debe instalar correctamente este electrodoméstico y realizar una buena puesta a tierra. Conecte solo a una puesta a tierra apropiada. Vea las instrucciones de Conexión de puesta a tierra que se encuentran en las Instrucciones de Instalación.

- Solo un técnico calificado debe reparar este electrodoméstico. Póngase en contacto con el centro de servicio autorizado más cercano para la inspección, reparación y ajustes.
- No repare o reemplace ninguna parte del horno a menos que le haya sido recomendado específicamente. Solicite el servicio de un centro autorizado.
- No utilice esta unidad si no funciona bien o si está dañada hasta que un técnico del servicio autorizado la haya inspeccionado.
- Instale o coloque este electrodoméstico de acuerdo con las instrucciones de instalación.
- De a este horno solo el uso concebido por su fabricante. Si tiene alguna duda, contacte con el fabricante.
- No cubra ni bloquee las aberturas de este electrodoméstico.
- De a este electrodoméstico solo el uso para el que ha sido concebido como se describe en este manual. No use productos químicos corrosivos, vapores, productos inflamables o no alimenticios en este electrodoméstico. Este tipo de horno ha sido diseñado específicamente para calentar o cocinar alimentos. No está diseñado para uso industrial o de laboratorio. El uso de productos químicos corrosivos cuando calienta o limpia el horno dañará el electrodoméstico.

- En el caso de encenderse la ropa o el cabello, ÉCHESE AL PISO y GIRE DE INMEDIATO para apagar las llamas.
- No permita que los niños utilicen este electrodoméstico sin la supervisión de un adulto. Los niños y animales domésticos no deben quedarse solos cerca del horno cuando se está utilizando el electrodoméstico. No permita nunca que los niños se sienten o se pongan de pie sobre ninguna parte del horno.



### PRECAUCIÓN

- No deje objetos que puedan atraer la atención de los niños encima del horno. Si se suben al horno para alcanzar estos objetos podrían sufrir lesiones graves.

Para reducir el riesgo de fuego en el interior del horno:

1. No guarde materiales inflamables en el interior o cerca del horno.
2. No use agua cuando se produce un incendio de grasa. Apague el fuego con un extintor químico de polvo o espuma.
3. Se recomienda tener un extintor a mano y muy a la vista cerca de cualquier electrodoméstico, que se pueda usar rápidamente.
4. No recueza demasiado los alimentos. Vigile el horno con cuidado cuando utiliza materiales de papel, plástico u otros materiales combustibles.
5. No utilice el horno para almacenar objetos. Nunca deje productos de papel, utensilios de cocina o alimentos en su interior cuando no se usa.
6. En caso de que se enciendan materiales dentro del horno, mantenga cerrada la puerta. Apague el horno y desconecte el circuito en la caja del cortacircuito.
7. No obstruya los conductos de ventilación del horno.
8. Asegúrese de que funciona el ventilador cuando el horno está funcionando. En caso contrario no utilice el horno. Llame a un centro de servicio autorizado.
9. Nunca utilice el horno para calentar una habitación. Esto podría dañar partes del horno.
10. Use ropa apropiada por cuestión de seguridad. Nunca use prendas sueltas o que tengan mangas largas mientras utiliza este electrodoméstico.





**! IMPORTANTE**  
**Electrodoméstico y horno**  
**Instrucciones de seguridad**

**Por favor, lea todas las instrucciones antes de utilizar este electrodoméstico.**

**Precauciones de seguridad para el horno**


- Mantenga recogido el cabello largo.
- No toque elementos de calentamiento o superficies internas del horno.
- Los elementos de calentamiento podrían estar calientes incluso si presentan un color oscuro. Las superficies internas del horno podrían estar lo suficientemente calientes como para causar quemaduras.
- Durante y después del uso, no permita que la ropa u otros materiales inflamables entren en contacto con los elementos de calentamiento o con las superficies internas del horno hasta que no se hayan enfriado.
- Las molduras de la parte superior y de los lados de la puerta del horno podrían estar lo suficientemente calientes como para provocar quemaduras.
- Tenga cuidado cuando abra la puerta del horno. Abra la puerta ligeramente para dejar escapar el aire o el vapor caliente antes de sacar los alimentos.
- No caliente recipientes de alimentos cerrados. La presión acumulada podría hacer reventar el recipiente o provocar lesiones.
- Coloque siempre las rejillas del horno en el lugar deseado mientras el horno esté frío. Si tiene que mover una rejilla cuando el horno está caliente, evite el contacto del asa de la olla con los elementos calientes.
- Use siempre asas secas para las ollas. Las asas mojadas o húmedas sobre superficies calientes pueden provocar quemaduras por el vapor. Evite el contacto de las asas con los elementos de calentamiento. No use toallas o trapos voluminosos.

**Seguridad para la limpieza del horno**



**PRECAUCIÓN**

**No deje comida, utensilios de cocina, etc. en el horno mientras esté funcionando el modo de Autolimpieza.**

- Confirmar que la puerta está cerrada y que no se abrirá cuando se activen ambos  [CLEAN] mandos y que aparece el símbolo "AUTO LOCK". Si la puerta no está cerrada, posicionar el dial de Modo de cocción en OFF y no ejecutar la función Autolimpieza. Teléfono para solicitar asistencia.
- No limpie los empaques de la puerta. Es esencial para un buen sellado. Preste atención a no frotar, dañar, mover o quitar el empaque de la puerta.
- No use detergentes comerciales para hornos o recubrimientos de protección de ningún tipo por encima o alrededor de cualquier parte del horno.
- Limpie solo las partes del horno que aparecen listadas en este manual. (véase la página 86).
- Quite la bandeja de asado, las rejillas del horno, los otros utensilios y limpie los derrames excesivos de alimentos antes de autolimpiar el horno.



**ADVERTENCIA**

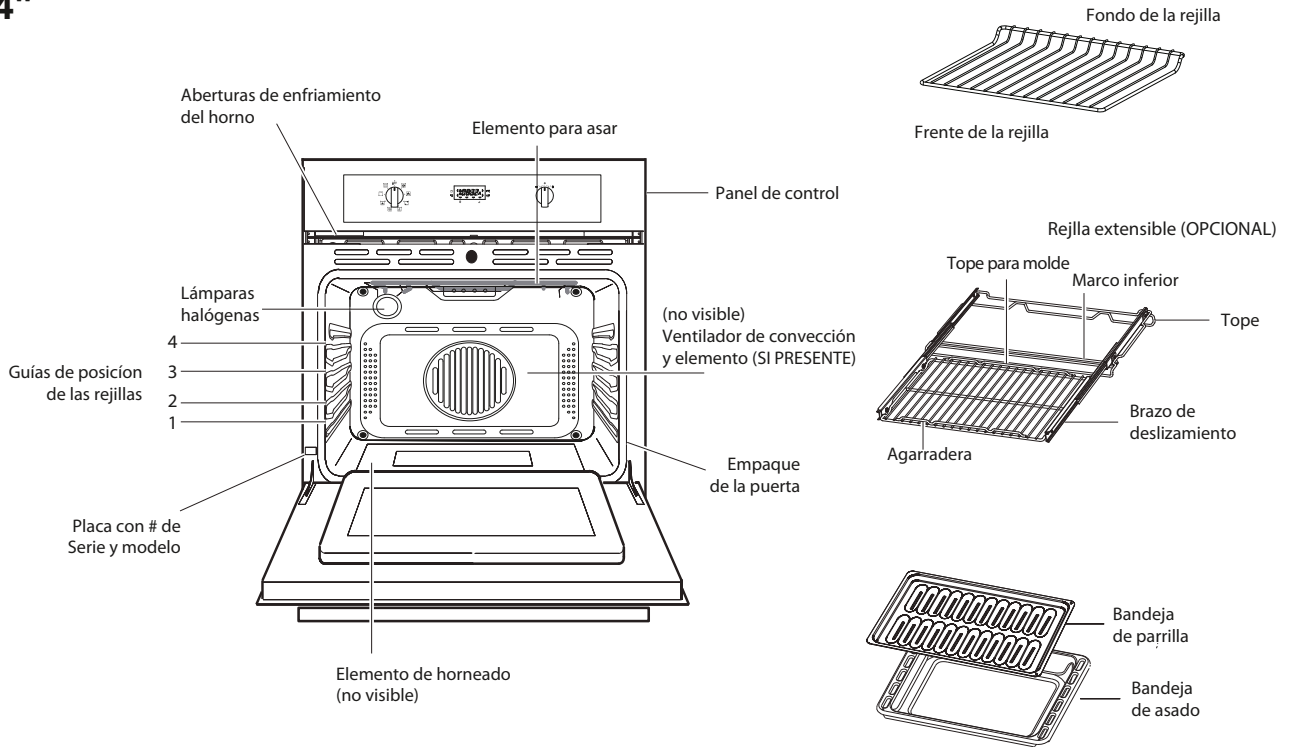
**La Ley del Estado de California respecto al Agua Potable y Tóxicos requiere que las empresas adviertan a sus clientes de la exposición potencial ante sustancias conocidas que provocan cáncer, defectos de nacimiento u otros daños de reproducción.**

**La eliminación de residuos durante la Autolimpieza genera algunos derivados que están en esta lista de sustancias.**

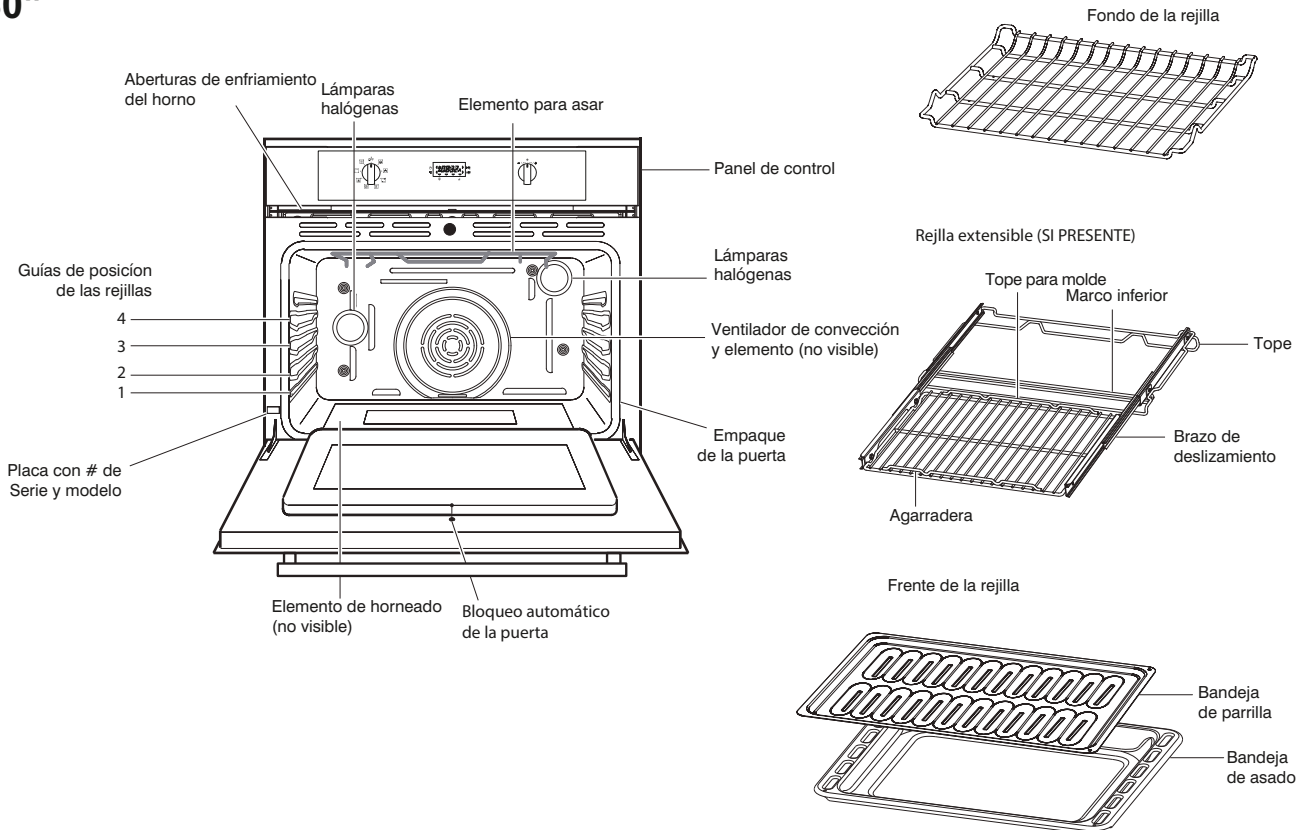
**Para reducir la exposición a estas sustancias, siempre haga funcionar este horno siguiendo las instrucciones de este manual y ventile la cocina durante e inmediatamente después de la Autolimpieza.**

**Características de su horno**

**24"**



**30"**



### Generalidades del horno

#### PRECAUCIÓN

##### Antes de utilizar el horno

- **Retire todo el embalaje y el material no perteneciente al horno. Cualquier material de este tipo que se deje en el interior podría fundirse o arder al utilizar el electrodoméstico.**
- **Caliente el electrodoméstico vacío a la temperatura máxima para eliminar cualquier residuo de la fabricación que pueda afectar a los alimentos con olores desagradables.**

##### Conexión de 120 V / 240 V contra 120 V / 208 V

La mayoría de instalaciones para hornos dispondrán de una conexión de 120 V / 240 V. Si su horno está instalado con 120 V / 208 V, el precalentado puede ser ligeramente más largo que con un voltaje de 120 V / 240 V. El horno está diseñado para asegurar el mismo tiempo de limpieza a 120 V / 208 V.

##### Horneado a gran altitud

Cuando se hornea a gran altitud, las recetas y el tiempo de cocción varían con respecto a los estándares.

##### Error de apagón

Cuando vuelva la corriente, la pantalla del reloj marcará las 12.00.

##### Códigos de Números error E

Si estos códigos aparecen en la pantalla cuando el control electrónico detecta algún problema en el horno o en la parte electrónica. (véase la página 91)

##### Chirrido

Es posible que se oiga un ruido proveniente del electrodoméstico al utilizar el horno debido a la deformación por el calor; no se trata de ningún problema de funcionamiento.

##### Símbolos parpadeantes o Números

Indican una acción incompleta que está en curso (bloqueo de la puerta, precalentamiento, etc.).

##### Pitidos

Señal que indica que se ha alcanzado la temperatura programada. Los pitidos también señalan el final de una función o un error del horno.


##### Ventilador de convección

El ventilador de convección trabaja durante cualquier modo de convección o deshidratado.

##### Ventilador de refrigeración de los componentes

Se activa durante todos los modos de cocción y la Autolimpieza para refrigerar los componentes internos y la superficie de la puerta exterior. El aire se expulsa a través de las aberturas colocadas por encima de la puerta del horno. Sigue funcionando hasta que los componentes se han enfriado lo suficiente. El ventilador de refrigeración va al doble de velocidad (o de RPM) en el modo la Autolimpieza y cada vez que los componentes internos aumentan su temperatura.

##### Uso de las lámparas del horno

- Cuando el horno está en función, las lámparas del horno se encienden automáticamente cuando inicia el modo. Las lámparas del horno se apagan automáticamente al finalizar y cuando el modo del horno se anula.
- Las lámparas no funcionan en el modo de la Autolimpieza.
- El interruptor  [LIGHT] activa las luces del horno.

##### Fahrenheit y Celsius

La temperatura se muestra en grados Fahrenheit, pero se puede cambiar a grados Celsius. (véase la página 70)

### Consejos generales para el horno

#### Ajustes por defecto

Los modos de cocción seleccionan automáticamente una temperatura apropiada. Éstos pueden modificarse cuando fuese necesario usar un modo diferente.

#### Condensación y temperatura del horno

- Es normal que una cierta cantidad de humedad se evapore de los alimentos durante el proceso de cocción. La cantidad depende del contenido de humedad que contienen los alimentos. La humedad se puede condensar sobre cualquier superficie más fría que el interior del horno, como el panel de control.
- Su nuevo horno dispone de un sensor electrónico de temperatura que permite mantener una temperatura exacta. Quizás su horno anterior disponía de un termostato mecánico que se desviaba gradualmente al cabo del tiempo a una temperatura más alta. Es normal que deba adaptar sus recetas preferidas al cocinar en un horno nuevo.

#### Sugerencias para el uso

- Utilice las tablas de cocción como guía.
- No coloque recipientes ni peso alguno sobre la puerta abierta del horno.
- Utilice la iluminación interior del horno para ver los alimentos a través de la ventana de la puerta del horno, en lugar de abrir la puerta constantemente.

#### Utensilios

- Los platos de vidrio para cocción absorben el calor. Reduzca la temperatura del horno en 25 °F (15 °C) cuando cocine en vidrio.
- Utilice recipientes que le permitan dorar los alimentos como desee. El tipo de acabado de los recipientes determinará cuánto conseguirá dorar los alimentos.
- Los recipientes brillantes, de metal liso o con un ligero tratamiento antiadherente / anodizados reflejan el calor, lo que permite conseguir un dorado más suave y delicado. Los pasteles y galletas requieren este tipo de utensilios.
- Los recipientes oscuros, rugosos o mates absorberán el calor y, por tanto, lo que permite conseguir una corteza más dorada y crujiente. Use este tipo para pasteles.
- Para conseguir una corteza dorada y crujiente, utilice utensilios oscuros antiadherentes / anodizados, utensilios oscuros mate o recipientes de vidrio para cocción.
- No cocine con la bandeja de asado vacía dentro del horno, ya que podría alterar las condiciones de cocción. Guarde la bandeja de asado fuera del horno.

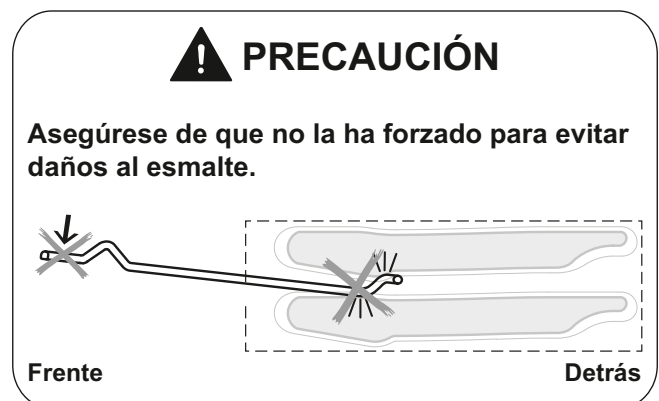
#### Rejillas del horno

- El horno tiene guías para las rejillas en seis niveles, tal como se muestra en la ilustración.
- Las posiciones de las rejillas están numeradas desde la guía de la rejilla inferior (#1) a la superior (#4).
- Consulte las tablas de cocinar para determinar las mejores posiciones de la rejilla para usar cuando se cocina.
- Cada guía de nivel consiste en un par de soportes formados en las paredes de cada lado del interior del horno.
- Asegúrese siempre de que las rejillas del horno se encuentran en la posición correcta antes de encender el horno. Asegúrese de que las rejillas estén niveladas una vez colocadas en posición.

**Si tiene dudas, como por ejemplo, qué lado es la parte frontal o la parte superior de la rejilla, tome como referencia la figura de la pág. 66.**

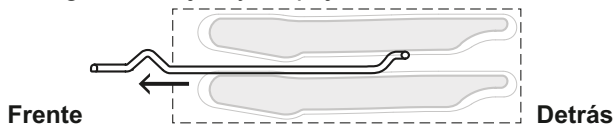
- Las rejillas están diseñadas para pararse cuando se tiran hacia atrás hasta el tope.

**¡PRECAUCIÓN!** Nunca utilice papel de aluminio para tapar las rejillas del horno o para forrar el horno. El calor atrapado por debajo del papel de aluminio puede dañar el revestimiento del horno.

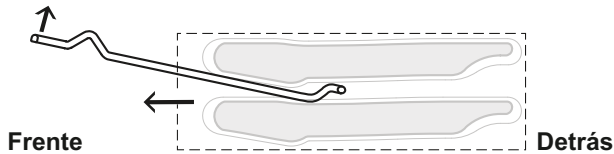


### Para sacar las rejillas del horno:

1. Agarre la rejilla y empújela hacia adelante

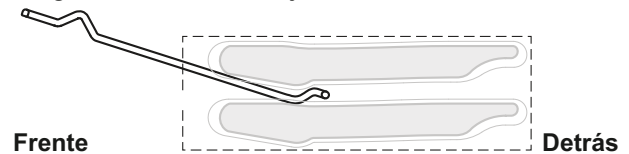


2. Incline la parte frontal de la rejilla hacia arriba y sáquela

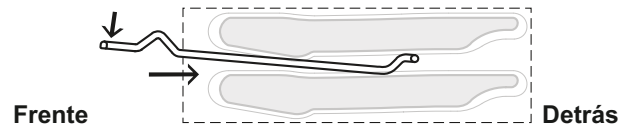


### Para meter una rejilla del horno:

1. Coloque la parte de atrás de la rejilla entre las guías de nivel de rejilla



2. Mientras inclina la parte frontal de la rejilla hacia arriba, deslice la rejilla a lo largo de la vía mientras baja la parte frontal



### Rejilla extensible de horno

- La rejilla extensible facilita el acceso a los alimentos en el horno. Se extiende más allá de la rejilla plana normal acercando los alimentos al usuario.

### ⚠ PRECAUCIÓN

Cuando la rejilla sale del horno no se bloquean los brazos laterales de deslizamiento. Éstos se podrían extender inesperadamente si se transporta la rejilla de modo incorrecto. Extender los brazos de deslizamiento puede causar lesiones. **Se debe sostener o transportar la rejilla solamente agarrando los lados.**

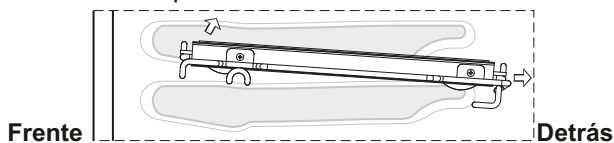
**NOTA:** Siempre saque la rejilla extensible antes de autolimpiarse el horno.

**PRECAUCIÓN!** Para evitar quemaduras, jale la rejilla completamente y levante el molde arriba de la agarradera cuando transporta los alimentos al y del horno.

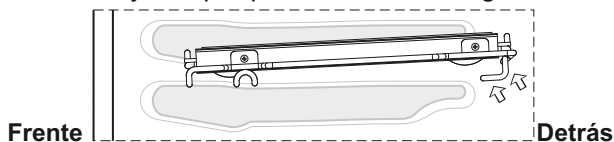
Si tiene dudas, como por ejemplo, qué lado es la parte frontal de la rejilla, tome como referencia la figura de la pág. 66.

### Sacar la rejilla extensible del horno:

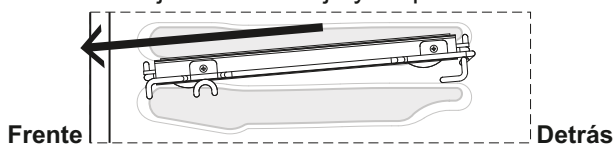
1. Levante el frente de la rejilla ligeramente y empuje la rejilla hacia adentro hasta que se libera el tope



2. Levante el fondo de la rejilla hasta que el marco y el tope queden libres de la guía

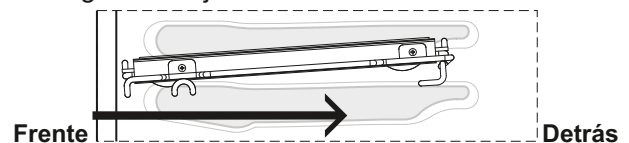


3. Jale la rejilla hacia abajo y sáquela

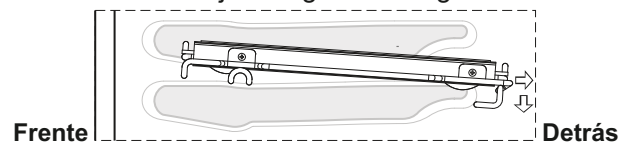


### Remplazar la rejilla extensible:

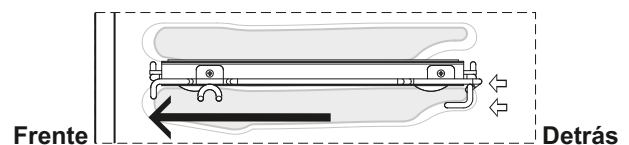
1. Agarre la rejilla firmemente en ambos lados. Coloque la rejilla (incluido el marco) arriba de la guía de rejilla deseada



2. Empuje la rejilla completamente hasta que el fondo de la rejilla caiga en su lugar



3. Hale ambas secciones hacia delante hasta que se active el tope. La rejilla debe estar recta no torcida



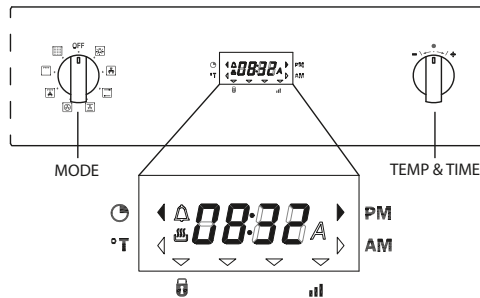
## Control electrónico

### Descripción del panel de mandos

El panel de mandos del horno está compuesto por un display y dos botones.

- Display de tiempo y temperatura
- Botón tiempo + temperatura (Push & Shuttle)
- Botón modo (funciones del horno)

El botón Push & Shuttle sirve principalmente para el ajuste del reloj y de la temperatura y para la programación de las funciones de tiempo automáticas. Seleccione el parámetro deseado pulsando el botón.



### Programación de las funciones de tiempo

A cada puesta bajo tensión, la hora visualizada en el panel de mandos parpadea; el valor inicial que aparece es 12:00<sup>AM</sup>. La hora se incrementa cada minuto. La única acción posible es el "Ajuste del reloj"; todas las demás operaciones del horno están prohibidas.

De forma general, girar el selector Temperatura+Tiempo hacia la izquierda o hacia la derecha para editar los valores y modificarlos por etapas; mantener el botón a la izquierda o a la derecha para acelerar las operaciones de decremento/incremento.

### Ajuste de la hora

La hora siempre se muestra en el formato de 12.00<sup>AM</sup>/<sup>PM</sup> horas. El ajuste de las horas y el de los minutos se llevan a cabo por separado. Para ajustar la hora, hay que situar el selector de modo en la posición CERO; el botón -/+ actúa sobre la hora por defecto.

- Girar el selector a la izquierda/derecha, las horas parpadean.
- Girar el selector a la derecha/izquierda para modificar el valor parpadeante de las horas.
- Apretar el selector Temperatura+Tiempo para moverse de las horas a los minutos.
- Girar hacia la izquierda/derecha para modificar el valor parpadeante de los minutos.
- Transcurridos unos segundos, el valor de la hora empieza a parpadear; esperar hasta que la nueva hora aparezca visualizada de forma fija.

Pulsar el botón para conmutar entre la visualización de la hora y el cuenta-minutos y comprobar los valores configurados. El reloj está seleccionado por defecto; cuando el cuenta-minutos está seleccionado, aparece visualizado el símbolo

### Ajuste del cuenta-minutos

El símbolo tiene que estar visualizado; girar entonces el botón a la derecha o a la izquierda para ajustar el valor del temporizador. El valor estándar es 30 minutos; se puede modificar en un rango de valores comprendido entre 0 y 240 minutos.

Esta minutería no influye en las actividades del horno, e incluso se puede ajustar con el horno apagado. La visualización de la hora tiene siempre prioridad; solamente se ve que el cuenta-minutos está activo por la presencia del símbolo .

Cuando se acaba el tiempo programado, el símbolo parpadea y el avisador acústico emite una secuencia de aviso (dos bip cortos repetidos a intervalos de 3 segundos) para llamar la atención del usuario.

Pulsar el botón para detener el parpadeo.

El avisador acústico se apaga solo después de un timeout de espera.

### Volumen del avisador acústico

Para ajustar el volumen del avisador acústico, girar el botón Tiempo+Temperatura a la izquierda; el sistema de mando tiene que estar en el modo luz. A cada escalón, el avisador acústico emite un doble bip: seleccionar el volumen entre los tres niveles disponibles. El avisador acústico siempre tiene que estar silenciado entre las 22h00 y las 8h00.

### Unidad de medida de la Temperatura

Para seleccionar grados centígrados o Fahrenheit, presionar dos veces la perilla +/-; cuando en la pantalla se observa el símbolo F o C, girar la perilla +/- para cambiar la unidad de medida y presionar la perilla +/- para confirmar.

## Cocinar con hornos de convección

En un horno convencional, las fuentes de calor se encienden y se apagan para mantener una temperatura media en la cavidad del horno. Debido a que la temperatura aumenta y disminuye gradualmente, se producen ligeras corrientes de aire en el interior del horno. Esta convección natural tiende a ser ineficaz, ya que las corrientes son irregulares y lentas. En este sistema de convección, el calor se "transmite" mediante un ventilador que proporciona circulación continua de aire caliente.

Este sistema de convección europeo proporciona una ingeniería de vanguardia y un diseño avanzado para crear el más sofisticado horno de convección. En los hornos de convección estándar, un ventilador simplemente hace circular el aire caliente alrededor de los alimentos. El sistema se caracteriza por la combinación de un elemento de calentamiento adicional situado alrededor del ventilador de convección y el panel de ventilación que distribuye el aire caliente en tres dimensiones: a lo largo de los laterales, la parte superior y el fondo de la cavidad del horno. Este sistema de convección europeo ayuda a que la temperatura del horno se mantenga más uniforme a lo largo de la cavidad del horno.

El aire circulante ayuda a agilizar el proceso de cocción y cocina los alimentos de forma más uniforme. Al controlar el movimiento de aire caliente, la cocción por convección produce alimentos uniformemente dorados que están crujientes en su exterior, aunque jugosos en su interior. La cocción por convección funciona mejor para pan y pastas, así como para la carne y aves. Los alimentos que se elevan con aire, como los bollos de crema, los suflés y los merengues suben más que en un horno convencional. Las carnes quedan jugosas y tiernas a la vez que en su exterior están sabrosas y crujientes.

Al utilizar el sistema de convección europeo, es posible cocinar los alimentos a más baja temperatura y reducir los tiempos de cocción. Al utilizar este modo, la temperatura estándar del horno deberá reducirse en 25 °F (15 °C).

Los alimentos que necesiten menos tiempo de cocción deberán controlarse un poco antes de lo normal. Para conseguir los mejores resultados, los alimentos deben cocinarse destapados y en recipientes con bordes bajos para aprovechar la circulación forzada de aire. Al utilizar el modo de asado por convección, no es necesario reducir la temperatura estándar del horno.

### Ventajas de cocinar por convección

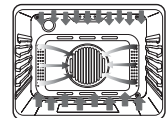
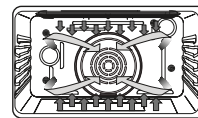
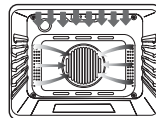
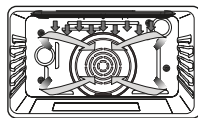
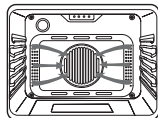
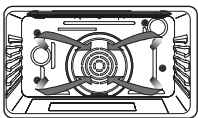
- Incluso horneando, se logran alimentos dorados y crujientes.
- Durante el asado, los jugos y aromas quedan sellados en el interior mientras que el exterior es crujiente.
- La masa de levadura es más ligera, presentan una textura más uniformes, más dorados y crujientes.
- Los alimentos que suben mucho como los bollos de crema, los suflés, merengues se elevan más y son más ligeros.
- Es posible cocinar al mismo tiempo con múltiples rejillas sin transferir el sabor con buenos resultados.
- Cocinar con múltiples rejillas ahorra tiempo.
- Prepara comidas completas de una sola vez sin transferir los sabores.
- Verduras deshidratadas, frutas y vegetales.
- No precisa moldes para horneados especiales.
- Ahorra tiempo y energía.
- El asado por convección permite el asado a la parrilla extraordinario con cortes más gruesos del alimento.

**Modos del horno**

Las siguientes ilustraciones dan una vista general de lo que sucede en el horno en cada modo de ajuste. Las flechas representan la posición de la fuente de calor durante cada uno de los modos. Los elementos inferiores están ocultos bajo el piso inferior.

El tiempo máximo de configuración para el calentamiento es de hasta 11 horas 59 minutos. Después que finaliza el calentamiento, aparece en la pantalla la indicación "End":

- Tocar las teclas + [INC] o - [DEC] para poder disponer de un calentamiento adicional.
- El cambio de una función puede realizarse mediante el mando giratorio de modo de cocción.



 **Horneado por convección (MULTI CONV BAKE)**

Temperatura establecida:  
de 120 °F (50 °C) a 480 °F (250 °C)  
(posición preestablecida en 375 °F (190 °C))

El horneado por convección cocina con aire que proviene de tercer elementos que se encuentra detrás de la pared trasera del horno. Este calor circula a través del horno por medio de un ventilador de convección.

 **Asado por convección (CONV BROIL)**

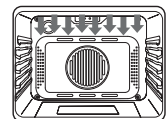
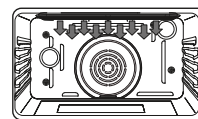
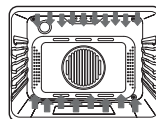
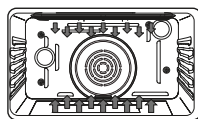
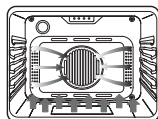
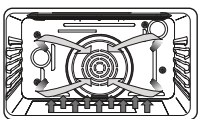
Temperatura establecida:  
de 120 °F (50 °C) a 485 °F (250 °C)  
(posición preestablecida en 445 °F (230 °C))

El Asado por convección combina el calor intenso del elemento superior con el aire que circula por medio del ventilador de convección.

 **Grill por convección (CONV ROAST)**

Temperatura establecida:  
de 120 °F (50 °C) a 480 °F (250 °C)  
(posición preestablecida en 375 °F (190 °C))

El Grill por Convección usa el calor de los elementos superiores e inferiores, así como el calor del ventilador de convección.



 **Pizza (MULTI PIZZA)**

Temperatura establecida:  
de 120 °F (50 °C) a 480 °F (250 °C)  
(posición preestablecida en 375 °F (190 °C))

Pizza es un modo de cocción especial con aire caliente. Los elementos inferiores se encienden en ciclos para cocinar pizza.

 **Horneado (BAKE)**

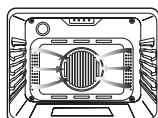
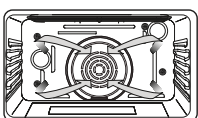
Temperatura establecida:  
de 120 °F (50 °C) a 485 °F (250 °C)  
(posición preestablecida en 410 °F (210 °C))

En el horneado se cocinar con aire caliente. Tanto el elemento superior como el inferior se encienden en ciclos para mantener la temperatura del horno.

 **Asado (BROIL)**

Temperatura establecida:  
de 120 °F (50 °C) a 485 °F (250 °C)  
(posición preestablecida en 445 °F (230 °C))

El Asado usa el calor intenso que radia el elemento superior.












**Descongelado (CONV)**

En Defrost no se utiliza ningún elemento de calentamiento, sino que para descongelar los alimentos se emplea únicamente el Ventilador de convección.



**Sistemas de cocción**

Cada modelo de horno cuenta con varios sistemas de cocción. Es posible seleccionar un sistema llevando la aguja del mando al símbolo al que se refiere.

Icono	Descripción de la función	Se utiliza para...
<b>OFF</b>	Todos las funciones de cocción están apagadas (en OFF) y las resistencias están apagadas (en OFF).	---
	Solo la luz del horno está en funcionamiento.	---
	En esta función solo el ventilador interno de convección está encendido (en ON), por ej.: el horno no se calienta.	Esta función se utiliza para descongelar alimentos congelados.
	En la función de horneado las dos resistencias del horno superior e inferior se utilizan para calentar el aire del horno. El ventilador no se utiliza para hacer circular el calor.	Esta es la manera tradicional de cocina sobre una bandeja. Por lo tanto, se tiene que usar una sola bandeja cuando se selecciona la función de horneado. Ideal para aperitivos, galletas, pastas de café y cookies.
	La función de asado de convección usa la resistencia superior (arriba), la resistencia inferior (abajo) y el ventilador de convección del horno.	Ideal para asar pollos o pavos enteros y pizzas. También se puede usar para hornear aperitivos, galletas, tartas de café y cookies en uno o varios niveles.
	La función de horneado de convección usa la resistencia circular o la resistencia oculta tras el deflector en la pared trasera del horno. El calor circula por todo el horno por medio del ventilador de convección.	Es posible cocinar los mismos alimentos que en la función de convección, cocinando uno o varios platos en uno o varios niveles. Por consiguiente, es posible cocinar varios alimentos a la vez (al máximo tres niveles) y es apropiado para preparar una comida completa (pequeñas porciones). Se evitan las mezclas de sabores y se obtiene un importante ahorro de energía.
	La función de convección inferior usa la resistencia inferior (abajo) y el ventilador interior.	Útil para suflés, pizzas y masas.
	La función de grill de convección combina el calor intenso de la resistencia superior (arriba) con el aire que circula por medio del ventilador de convección.	Ideal para filetes, hamburguesas, cuartos o pechugas de pollo.
	La función grill utiliza el calor intenso que radia la resistencia superior (arriba).	Ideal para preparar tostar, dorar y gratinar.
	El tiempo estándar es de 1.30 h y se puede cambiar.	Función PYRO o de autolimpieza. En esta función el horno se limpia automáticamente quemando los residuos de cocción a alta temperatura (alrededor de 460°C) durante un periodo que va de 1 a 3 horas. Durante el ciclo de autolimpieza todos los humos que se producen se filtran y luego se expulsan en el medio ambiente.

### BREVES CONSEJOS

#### COCINAR POR CONVECCIÓN

##### Acerca de la cocina por convección

Los modos de cocción estándar (horneado, asado, etc.) emplean el calor irradiado desde uno o más elementos para cocinar los alimentos. Los modos de convección emplean tanto el calor procedente de los elementos como los ventiladores de la parte trasera del horno para que el aire calentado circule de forma continua por todo el horno.

##### Ventajas de cocinar por convección


- Incluso horneando, alimentos dorados y crujientes.
- Los jugos y aromas quedan sellados en el interior.
- Los alimentos que suben mucho como los bollos de crema, los suflés, merengues y el pan se elevan más y son más ligeros.
- Se puede cocinar con múltiples rejillas.
- No se requieren recipientes especiales.
- Ahorra tiempo y energía.

**NO utilice el horneado por convección para las carnes. En su lugar, utilice el grill por convección.**

Modo	Use este tipo para	Para obtener los mejores resultados	Breves consejos de cocina
<b>Horneado por convección</b>	<ul style="list-style-type: none"> <li>• Grandes cantidades de alimentos en múltiples rejillas.</li> <li>• Pastelitos, pan, galletas saladas, alimentos y aperitivos.</li> </ul>	<ul style="list-style-type: none"> <li>• Utilice recipientes bajos y sin tapar.</li> <li>• Centre la bandeja de horneado entre lado y lado de la rejilla del horno.</li> </ul>	<ul style="list-style-type: none"> <li>• Reduzca la temperatura de la receta en 25 °F (15 °C).</li> <li>• Controle si los alimentos están cocidos antes:  <b>Si en la receta le indica que controle los alimentos</b>            1-15 min. 3 min. antes            16-30 min. 5 min. antes            31 min.-1h. 10 min. antes</li> </ul>
<b>Asado por convección</b>	<ul style="list-style-type: none"> <li>• Cortes más gruesos y tiernos de carne, aves y pescado.</li> <li>• NO utilice este modo para dorar pan o guisos.</li> </ul>	<ul style="list-style-type: none"> <li>• Las carnes deben tener un grosor de al menos 1".</li> </ul>	<ul style="list-style-type: none"> <li>• No es necesaria ninguna conversión respecto al asado estándar.</li> <li>• Consulte la Tabla de asado por convección de este manual para conocer los tiempos de cocción.</li> </ul>
<b>Grill por convección</b>	<ul style="list-style-type: none"> <li>• Cortes más grandes y tiernos de carne y aves, como pollo asado o entero.</li> </ul>	<ul style="list-style-type: none"> <li>• NO cubra la carne ni use bolsas para cocinar.</li> <li>• Consulte la Tabla de grill por convección de este manual para conocer los tiempos de cocción.</li> </ul>	<ul style="list-style-type: none"> <li>• NO modifique la temperatura de la receta.</li> </ul>

### Ajuste manual del funcionamiento del horno

Girar el botón de modo a la posición deseada; en el reloj aparece On durante unos segundos. El horno puede funcionar hasta 12 horas al máximo. Según el modelo de horno, las funciones a disposición pueden variar en cuanto a número y tipo.

Si en visualización reloj está activa la función aparece el  (es decir, no en la posición luz).

Girar el selector Temperatura+Tiempo y ajustar la temperatura del horno deseada. El sistema prevé una temperatura preajustada (PRESET) para cada modo de horneado o una gama completa entre MÍN. y MÁX. que se ajusta manualmente. Comprobar el valor visualizado después de seleccionar la temperatura.

La temperatura aparece en el display del reloj después de haberse pulsado el selector Tiempo+Temperatura, o bien justo después de seleccionar una nueva función.

Tan pronto como el horno arranca, el indicador luminoso de precalentamiento (indicado por barras) debajo del display del reloj se pone a parpadear; pasa a luz fija cuando finaliza el precalentamiento. Emitiendo una señal acústica.

Girar el selector de modo a la posición CERO (OFF) para detener todas las actividades; aparece durante unos segundos la indicación **OFF**.

#### Ajuste del funcionamiento automático del horno

Después de seleccionar una función tal como se ha descrito anteriormente, se podrán programar actividades de horneado temporizadas. El programa tiempo permanece activo aunque se cambie de función (por ejemplo, pirólisis). Las posibilidades a disposición son las siguientes :

- 1 Horneado temporizado con ajuste del tiempo de horneado (duración).
- 2 Horneado temporizado con ajuste del fin de tiempo de horneado (hora de apagado).
- 3 Horneado retardado con ajuste de la duración y de la hora de apagado.

Pulsar el botón para conmutar entre la modalidad duración de horneado (tiempo de horneado) y la modalidad final del tiempo de horneado (hora de apagado). Aparecen visualizadas respectivamente las palabras "dur" o "End".

Girar el botón a la izquierda o a la derecha para editar el valor de duración o la hora de apagado cuando está visualizada la palabra correspondiente.


1. Cuando está visualizada la palabra **dur**, el sistema muestra como duración de horneado el valor **30'**. Girar el botón a la izquierda o a la derecha para ajustar la duración de horneado deseada en un rango comprendido entre 0 y 240 minutos.

Aparecerán unos segundos parpadeando y alternándose la palabra **dur** y su valor; a continuación aparecerán la hora, el símbolo de la cacerola y la letra **A** que indica que está activo un horneado temporizado. El final de la duración de horneado queda actualizado automáticamente.

2. Cuando aparece la palabra End, el sistema muestra la hora actual como hora de apagado inicial. Para ajustar la hora de fin de horneado deseada en un rango de 24 horas:

- Girar el botón a la izquierda/derecha, las horas parpadean.
- Girar el botón a la derecha/izquierda para modificar el valor parpadeante de las horas.
- Apretar el botón para moverse entre las horas y los minutos o esperar unos segundos hasta que los minutos parpadeen.

- Girar hacia la izquierda/derecha para modificar el valor parpadeante de los minutos.
- Esperar hasta que el nuevo valor de fin de tiempo de horneado deje de parpadear.


Aparecerán unos segundos parpadeando y alternándose la palabra **End** y su valor ; a continuación aparecerán la hora, el símbolo  y la letra **A** que indica que está activo un horneado temporizado. La duración de horneado queda actualizado automáticamente.


3. Repetir las mismas operaciones que en el punto 1 y a continuación apretar el botón hasta que aparezca la palabra End. El sistema muestra como hora de apagado inicial el valor "hora actual+duración de horneado". No se puede reducir el fin de la duración de horneado por debajo de este valor. Para ajustar la hora de fin de horneado deseada en un rango de 24 horas:

- Girar el botón a la izquierda/derecha, las horas parpadean.
- Girar el botón a la derecha/izquierda para modificar el valor parpadeante de las horas.
- Apretar el botón para moverse entre las horas y

los minutos o esperar unos segundos hasta que los minutos parpadeen.

- Girar el botón hacia la derecha/izquierda para modificar el valor parpadeante de los minutos.
- Esperar hasta que el nuevo valor de fin de tiempo de horneado deje de parpadear.

Aparecerán unos segundos parpadeando y alternándose la palabra End y su valor ; a continuación aparecerán la hora y la letra **A** que indica que está activo un horneado retardado. Tan pronto como finaliza el tiempo de retardo, el horno se pone en marcha y trabajará durante el tiempo de horneado programado.  El display muestra el símbolo.

Al terminar cualquier actividad temporizada, el sistema de mando apaga el horno, el avisador acústico emite una secuencia de aviso (dos bip cortos repetidos a intervalos de 3 segundos) para llamar la atención del usuario y los iconos relativos al tiempo (, **A**) parpadean. Apretar el botón para apagar el avisador acústico y reconocer el mensaje de aviso.

Girar el selector de modo a la posición CERO (OFF) antes de utilizar nuevamente el horno.

 **Consejos y técnicas de horneado**

Hornear es cocinar con aire caliente. Tanto el elemento superior como el inferior del horno se encienden para calentar el aire pero no se utiliza el ventilador para hacer circular el horneado.

Siga la receta o las orientaciones de los alimentos convenientes para la temperatura de horneado, el tiempo y la posición de las rejillas. El tiempo de horneado cambiará con la temperatura de los ingredientes y con las dimensiones, la forma y el acabado del molde de horneado.

**Directrices generales**

- Para obtener los mejores resultados hornee los alimentos en una única rejilla con al menos 1" - 1½" (2,5 – 3 cm) espacio entre los moldes y las paredes del horno.
- Use una rejilla cuando selecciona el modo de horneado.
- Controle para que estén cocidos en el menor tiempo.
- Use moldes del metal (con o sin acabado antiadherente), vidrio refractario, vitrocerámica, cerámica u otros utensilios adecuados para el horno.
- Cuando use vidrio refractario, reduzca la temperatura 25°F (15°C) con respecto a la temperatura recomendada.

- Use bandejas de horneado con o sin lados o moldes de charlotas.
- Las cazuelas de metal oscuro o con recubrimiento antiadherente cuecen más rápidamente y se doran más. Los moldes aislantes alargarán ligeramente el tiempo de cocción para la mayoría de los alimentos.
- No utilice hojas de aluminio o bandejas de aluminio desechables para cubrir cualquier parte del horno. Las hojas son un excelente aislante de calor y el calor quedará atrapado por debajo. Esto alterará el rendimiento de la cocción y podrá dañar el acabado del horno.
- Evite el uso de las puertas abiertas para apoyar las cazuelas.
- Los consejos para Resolver los problemas de horneado se encuentran en la página 93.

**Tabla de cocción por horneado**

ALIMENTO	POSICIÓN DE REJILLA	TEMP. °F (°C) (HORNO PRECALENDADO)	TIEMPO (MIN)
<b>Pastel</b>			
Glaseado	2	350 (175)	17-19
Pastel	1	350 (175)	37-43
Bizcochos	1	350 (175)	35-39
<b>Pay</b>			
2 cortezas, fresco 9"	2	375-425 (190-220)	45-55
2 cortezas. fruta congel. 9"	2	375 (190)	68-78
<b>Galletas</b>			
Azúcar	2	350-375 (175-190)	6-11
Chocolate chip	2	350-375 (175-190)	8-13
Brownies	2	350 (175)	29-36
<b>Panes</b>			
Pan de levadura, 9x5	2	375 (190)	18-22
Rollos de levadura	2	375-400 (190-205)	12-15
Bollo, Panecillo	2	375-400 (190-205)	11-15
Molletes	2	425 (220)	15-19
<b>Pizza</b>			
Congelada	2	400-450 (205-235)	23-26
Fresca	2	425-450 (220-235)	12-15

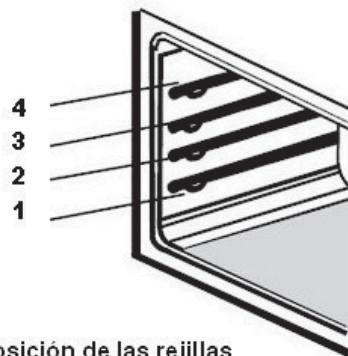
 **Consejos y técnicas de horneado de convección**

Reduzca las temperaturas del horneado de las recetas 25°F (15°C).

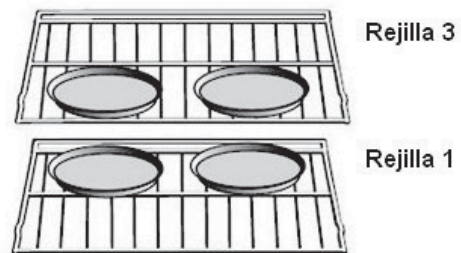
- Para obtener mejores resultados, se recomienda poner los alimentos en bandejas planas, no tapadas para aprovechar la circulación del aire forzado. Utilice moldes de aluminio brillante para obtener los mejores resultados si no se especifica nada más.
- Se puede utilizar vidrio refractario o cerámica. Reduzca la temperatura otros 25°F (15°C) cuando utiliza platos de vidrio refractario, con una reducción total de 50°F (30°C).
- Se pueden usar moldes de metales oscuros. Tenga presente que los alimentos se dorarán más rápidamente si usa recipientes de metal oscuro.
- El número de rejillas utilizadas lo determina la altura del alimento que tienen que cocinar.
- Cocinar con múltiples rejillas para comidas realizadas al horno se debe a la posición de las rejillas 1, 2 y 3. Se pueden utilizar todas las rejillas, para las galletas, bollos y galletitas saladas.
  - Con 2 rejillas de horneado. Use las posiciones 1 y 3.
  - Con 3 rejillas de horneado. Use las posiciones 2, 3 y 4.
  - Cuando hornea cuatro capas con pasteles al mismo tiempo, coloque los moldes de tal modo que ningún molde quede directamente encima de otro. Para lograr mejores resultados, coloque los moldes en la parte frontal de rejilla superior y en el fondo de la rejilla inferior (vea la figura a la derecha). Permita 1" - 1 1/2" de espacio libre alrededor de los moldes.
- Transformar su propia receta puede ser fácil. Elija una receta que funcione bien en el modo de convección.
- Reduzca la temperatura y el tiempo de cocción si fuera necesario. Puede ser necesario algún juicio y cometer algún error para obtener un resultado perfecto. Conserve los resultados de su técnica para la próxima vez que quiera preparar la misma receta utilizando el sistema por convección.
- Los consejos para resolver los problemas de horneado se encuentran en la página 93.

**Alimentos recomendados para modo de horneado de convección:**

Galletitas saladas y hojaldres  
Galletas para el café  
Pasteles (de 2 a 4 rejillas) Masa de levadura  
Bollos de crema  
Popovers  
Guisos y entrantes  
Comidas preparadas al horno (posición de las rejillas 1, 2, 3)  
Alimentos que se elevan con aire (Suflés, Merengues, Postres recubiertos con merengues, Bizcocho Angel, Bizcochos)



Posición de las rejillas



Colocación de los distintos recipientes en la rejilla

**Consejos para recetar rápidas y fáciles**

Para transformar el HORNEADO estándar en HORNEADO DE CONVECCIÓN:

- Reduzca la temperatura 25°F.
- Use el mismo tiempo de horneado que para el modo de Horneado si es por debajo de los 10 a 15 minutos.
- Los alimentos con un tiempo de horneado inferior a 30 minutos deberían controlarse para ver si están bien cocidos 5 minutos antes que las recetas de horneado estándar.
- Si los alimentos se hornean durante más de 40 a 45 minutos, el tiempo de horneado se debería reducir un 25%.

*Tabla de horneado de convección*

Reduzca la temperatura de la receta estándar de 25°F(15°C) para el horneado de Convección. La temperaturas se han reducido en esta

ALIMENTO	POSICIÓN DE REJILLA	TEMP. °F (°C) (HORNO PRECALENDADO)	TIEMPO (MIN)
<b>Pastel</b>			
Glaseado	2	325 (160)	17-19
Pastel	1	325 (160)	37-43
Bizcochos	1	325 (160)	35-39
<b>Pay</b>			
2 cortezas, fresco 9"	2	350-400 (175-205)	45-55
2 cortezas. fruta congel. 9"	2	350 (175)	68-78
<b>Galletas</b>			
Azúcar	2	325-350 (160-175)	6-11
Chocolate chip	2	325-350 (160-175)	8-13
Brownies	2	325 (160)	29-36
<b>Panes</b>			
Pan de levadura, 9x5	2	350 (175)	18-22
Rollos de levadura	2	350-375 (175-190)	12-15
Bollo, Panecillo	2	350-375 (175-190)	11-15
Molletes	2	400 (205)	15-19
<b>Pizza</b>			
Congelada	2	375-425 (190-220)	23-26
Fresca	2	400-425 (205-220)	12-15

La TEMP. (temperatura) y el TIEMPO de la tabla anterior son los calculados para una corriente de 240 V. Esta tabla sirve solamente de guía. Siga la receta o las instrucciones en el paquete y ajuste la temperatura / tiempo de forma apropiada.



**Consejos y técnicas de grill de convección**

- Precaliente para cocinar con Grill de convección.
- Cocine con grill en una bandeja baja y sin tapar.
- Cuando se gratinan pollos y pavos enteros, suba las alas hacia atrás y ate fuerte las patas con cuerda de cocina.
- Use el recipiente para asar a la parrilla de 2 piezas para gratinar descubierto.
- Use una sonda o un termómetro de carne para determinar la cocción del interior cuando en la temperatura "END" (véase la tabla de cocción).
- Controle dos veces el interior de la temperatura de la carne/de la ave introduciendo un termómetro de carne en otra posición.
- Cuando se está asando un gran asado o un pavo, podría ser preciso girar el recipiente del asado durante el tiempo de grill. Esto permitiría una cocción aún mejor. Las aves grande también precisan ser cubiertas con láminas (y recipientes de asar) durante una porción del tiempo de asado para evitar que se quemen por encima.

**Consejos para recetas rápidas y fáciles**

Convierta el **HORNEADO** estándar en **GRILL DE CONVECCIÓN**:

- No hay que reducir la temperatura.
- Los asados, los grandes cortes de carne y las aves en general utilizan un 10-20% menos de tiempo de cocción. Controle si los alimentos están cocidos antes.
- Los guisos y los asados a la cazuela se hornean cubiertos en el modo de GRILL DE CONVECCIÓN y cuecen aproximadamente en el mismo tiempo.
- La temperatura de seguridad mínima para el relleno de las aves es de 165°F (75°C).
- Después de sacar los alimentos del horno, cúbralos con papel de aluminio durante aproximadamente de 10 a 15 minutos antes de trincharlos.
- Mientras está cubierta, la temperatura del asado aumenta de 5° to 10°F (3° to 6°C).

**Tabla de grill de convección**

CARNES	PESO (lb)	TEMP. HORNO °F (°C)	POSICIÓN DE REJILLA	TIEMPO (min. per lb)	TEMPERATURA INTERNA °F (°C)
<b>Res</b>					
Costillas	4-6	325 (160)	2	24-30 27-33	145 (63) medium rare 160 (71) medium
Rib Eye (sin heuso)	4-6	325 (160)	2	22-30 27-33	145 (63) medium rare 160 (71) medium
Churrasco, Eye Tip, Sirlion (sin heuso)	3-6	325 (160)	2	22-28 27-33	145 (63) medium rare 160 (71) medium
Tenderloin Tostado	2-3	425 (220)	2	15-25	145 (63) medium rare
<b>Puerco</b>					
Lomo (con o sin hueso)	5-8	350 (175)	2	20-30	160 (71) medium
Hombro	3-6	350 (175)	2	25-35	160 (71) medium
<b>Aves</b>					
Pollo Entero	3-4	375 (190)	2	18-21	180 (82)
Pavo sin ralleno	12-15	325 (160)	1	10-14	180 (82)
Pavo sin ralleno	16-20	325 (160)	1	9-11	180 (82)
Pavo sin ralleno	21-25	325 (160)	1	6-10	180 (82)
Pechuga Pavo	3-8	325 (160)	1	15-20	170 (77)
Codorniz	1-1 ½	350 (175)	2	45-75 total	180 (82)
<b>Cordero</b>					
Media Pierna	3-4	325 (160)	2	25-30 30-35	160 (71) medium 170 (77) well
Pierna Entera	6-8	325 (160)	1	25-30 30-35	160 (71) medium 170 (77) well

La TEMP. y el TIEMPO de la tabla anterior son los calculados para una corriente de 240 V. Esta tabla sirve solamente de guía. Siga la receta o las instrucciones en el paquete y ajuste la temperatura / tiempo de forma apropiada.



 **Consejos y técnicas del asado de convección**

- Coloque la rejilla en la posición requerida antes de encender el horno.
- Use el modo de Asado de Convección con la **puerta del horno cerrada**.
- No precaliente el horno.
- Use un recipiente de 2 piezas.
- Voltee la carne una vez a mitad del tiempo recomendado para cocinar (vea la tabla de asado de convección)

**Tabla de asado de convección**

ALIMENTO Y GROSOR	POSICIÓN DE REJILLA	POSICIÓN DE ASADO °F (°C)	TEMPERATURA INTERNA °F (°C)	TIEMPO LADO 1 (MIN.)*	TIEMPO LADO 2 (MIN.)*
<b>Carne de res</b>					
Filete (1-½" o más)					
Vuelta y Vuelta	2	450 (235)	145 (65)	12-14	11-13
Medio	2	450 (235)	160 (71)	15-17	13-15
Bien Cocido	2	450 (235)	170 (77)	18-20	16-17
<b>Hamburguesas (más de 1")</b>					
Medio	3	550 (290)	160 (71)	9-11	5-8
Bien Cocido	3	550 (290)	170 (77)	11-13	8-10
<b>Aves</b>					
Cuarto de Pollo	3	450 (235)	180 (82) (thigh)	16-18	14-16
Pechuga de Pollo	3	450 (235)	170 (77)	14-16	12-14
<b>Puerco</b>					
Chuletas (1¼" o más)	2	450 (235)	160 (71)	12-14	13-15
Salchicha - fresca	3	450 (235)	160 (71)	4-6	3-5

La TEMP. y el TIEMPO de la tabla anterior son los calculados para una corriente de 240 V.

\* Los tiempos del Asado y Asado por Convección son aproximados y pueden variar ligeramente.

Los tiempos de cocción son indicativos y dependen también del grosor de la carne y de la temperatura inicial antes de cocinarse.



### Consejos y técnicas del asado

- Coloque la rejilla en la posición requerida antes de encender el horno.
- Use el modo de Asado de Convección con la **puerta del horno cerrada**.
- No precaliente el horno.
- Use un recipiente de 2 piezas.
- Se puede untar las carnes con un pincel mojado en aceite o mantequilla para evitar que se pegue.
- Voltee la carne una vez a mitad del tiempo recomendado para cocinar (vea la tabla de asado)

### Tabla de asado

ALIMENTO Y GROSOR	POSICIÓN DE REJILLA	POSICIÓN DE ASADO	TEMPERATURA INTERNA °F (°C)	TIEMPO LADO 1 (MIN.)*	TIEMPO LADO 2 (MIN.)*
<b>Carne de res</b>					
Filete (1-½" o más)					
Vuelta y Vuelta	3	5	145 (63)	5-7	4-6
Medio 3		5	160 (71)	6-8	5-7
Bien Cocido	3	5	170 (77)	8-10	7-9
Hamburguesas (más de 1")					
Medio	3	5	160 (71)	7-9	5-7
Bien Cocido	3	5	170 (77)	8-10	7-9
<b>Aves</b>					
Pechuga (con hueso)	3	3	170 (77)	14-16	14-16
Muslo 3		3	180 (82)	28-30	13-15
<b>Puerco</b>					
Chuletas (1")	3	5	160 (71)	7-9 5-7	
Salchicha - fresca	3	5	160 (71)	5-7 3-5	
Rebanada de Jamon (½")	3	5	160 (71)	3-5 4-6	
<b>Mariscos</b>					
Filetes de Pescado, 1"	3	4	Cook until opaque & flakes easily with fork	10-14	Do not turn
Con manequilla					
<b>Cordero</b>					
Chuletas (1")					
Vuelta y Vuelta	3	5	145 (63)	5-7	4-6
Medio	3	5	160 (71)	6-8	5-7
Bien Cocido	3	5	170 (77)	8-10	7-9
<b>Bread</b>					
Pan, rebanadas de 1"	4	5		2-2,30	
Pan de ajo, rebanadas de 1"	3	5		4-6	

\* Los tiempos del Asado y Asado de Conveccion son aproximados y pueden variar ligeramente.

### Pautas e seguir para la temperatura de alimentos de FSIS (Servicio de Inspección y Seguridad de Alimentos USDA)

140°F(60°C)	Jamón , precocido (para recalentar)	165°F(74°C)	Relleno (cocido solo o en el ave)
145°F(63°C)	Carne fresca de res, tenera, cordero (vuelta y vuelta)		Sobras y guisados
160°F(71°C)	Carne molida y mezcalas de carne (res, puerco, tenera, cordero)	170°F(77°C)	Carne fresca de res, tenera, cordero (bien cocida)
	Carne fresca de res, tenera, cordero (medio)		Pechuga de pollo (aves)
	Carne fresca de puerco (media)		Carne fresca de puerco (bien cocida)
	Jamón fresco (crudo)	180°F(82°C)	Pollo y jamón (entero)
Platillos con huevos	Carne de aves (muslos y alas)		
165°F(74°C)	Carne molida y mezcalas de carne (pavo, pollo)		Pato y ganso

La TEMP. y el TIEMPO de la tabla anterior son los calculados para una corriente de 240 V. Los tiempos de cocción son indicativos y dependen también del grosor de la carne y de la temperatura inicial antes de cocinarse.



**Consejos y técnicas para la elaboración de pizzas**

- Pizza es un modo de cocción especial con aire caliente. Los elementos inferiores se encienden en ciclos para cocinar la pizza.
- La temperatura del modo pizza está programada a 450 °F (230 °C).
- Las temperaturas disponibles en el modo pizza son de 170 °F (75 °C) a 550 °F (290 °C).
- Utilice la rejilla del horno o la rejilla extensible.
- Se pueden usar moldes para pizza. En tal caso, siga el manual del molde para pizza.
- Este modo es para cocinar en una única rejilla. Para cocinar con varias rejillas, emplee el modo de horneado por convección.

**Tabla de pizzas**

ALIMENTO	POSICIÓN DE REJILLA	TEMP. °F ( °C) (HORNO PRECALENTADO)	TIEMPO (Min.)
Pizza			
Congelada	2 o 3	375-450 (190-230)	10-15
Fresca	2 o 3	375-450 (190-230)	6-12

La TEMP. y el TIEMPO de la tabla anterior son los calculados para una corriente de 240 V.

Los tiempos de cocción son indicativos y dependen también del grosor y del tipo de pizza.

Esta tabla sirve solamente de guía. Siga la receta o las instrucciones en el paquete y ajuste la temperatura / tiempo de forma apropiada.

## Cuidado y limpieza del horno

### Autolimpieza del horno

Este horno se caracteriza por una función de Autolimpieza pirolítica que elimina la dificultad y el tiempo utilizado en una limpieza manual del interior del horno. Durante la Autolimpieza el horno usa una temperatura muy alta (approx. 860 °F/460 °C) para eliminar los residuos de comida y grasa.

- Es normal ver humo y/o una llama ocasional durante el ciclo de Autolimpieza, dependiendo del contenido y de la cantidad de suciedad que queda en el horno. Si la llama persiste, apague el horno y permita que se enfríe antes de abrir la puerta para limpiar los residuos de comida con un trapo.
- El pestillo de la puerta se activa automáticamente tras seleccionar el ciclo de Autolimpieza. La indicación "SYMBOL" aparecerá en la pantalla. Esto asegura que la puerta no se pueda abrir mientras el interior del horno se encuentra en la temperatura de limpieza.
- La lámpara del horno no funciona durante este modo.
- Durante la Autolimpieza es preciso ventilar bien la cocina para ayudar a eliminar los olores asociados con la Autolimpieza. Los olores disminuirán con el uso.
- El tiempo de Autolimpieza presente dura 1h:30.
- El modo se para automáticamente al final de las horas de limpieza.
- Cuando el calor del horno baja a una temperatura segura, se libere el bloqueo automático de la puerta y esta se puede abrir.

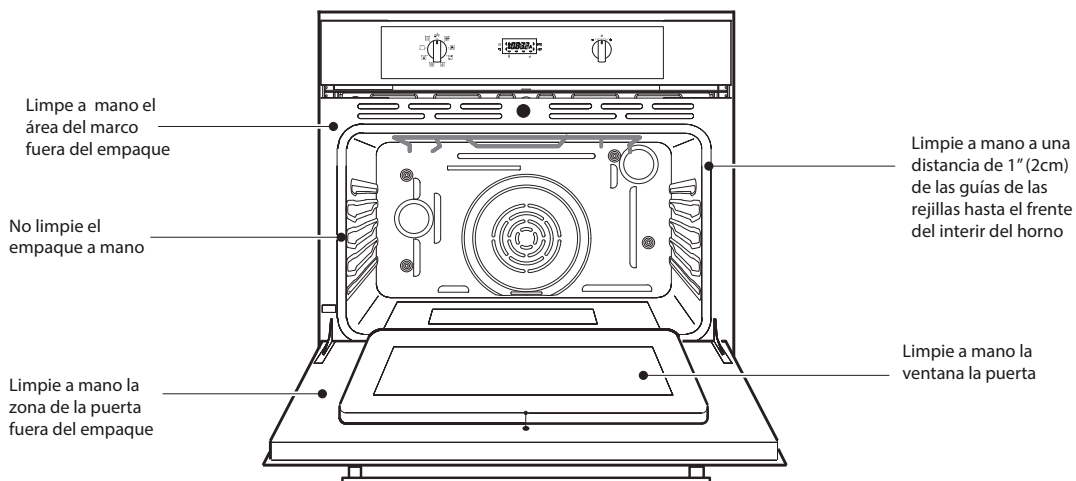
### Antes de la Autolimpieza

1. Retire todos los utensilios y recipientes.
2. Retire las rejillas del horno.

## **! PRECAUCIÓN**

**Si se dejan las rejillas en el horno durante la Autolimpieza perderán su acabado brillante y dejarán de deslizarse suavemente sobre las guías de las rejillas. Vea la Tabla de limpieza para un cuidado apropiado, páginas 86 a 87.**

3. Limpie cualquier resto y la grasa con toallas de papel. El exceso de grasa provocaría llamas y humos dentro del horno durante la Autolimpieza.
4. Repase la figura de aquí abajo. Algunas zonas del horno se tienen limpiar a mano antes de iniciar este ciclo. No se calientan lo suficiente durante el ciclo de limpieza para quemar los residuos. Use una esponja jabonosa, un raspador de plástico o una esponjilla con detergente S.O.S.<sup>®</sup>. Limpie a mano el borde de la puerta, el marco delantero y superior hasta 1-1/2 "(2-3 cm) pulgadas por el interior del marco con detergente y agua caliente. No frote el empaque. Limpie a mano la ventana de la puerta del horno. Enjuague a fondo todas las zonas y luego séquelas.
5. Asegúrese de que las lámparas del interior estén apagadas y que las bombillas y la cubierta estén en sus lugares. Véase la página 89.





## Configuración del modo de Autolimpieza

Antes de utilizar el modo de Autolimpieza, lea atentamente la sección Cuidado y limpieza del horno y siga antes las instrucciones que se muestran en la sección Antes de la Autolimpieza. (véase la página 84)

### Pirólisis (autolimpieza)

Girar la perilla hacia la posición correspondiente, después presionar el botón +/- para iniciar el ciclo de limpieza.

El tiempo de limpieza se puede ajustar según las mismas reglas que las funciones automáticas; por lo tanto, es posible retardar el ciclo pirolítico.

El tiempo de limpieza máximo permitido es de 3 horas, el mínimo 1 hora. La duración estándar es 1 hora y 30 minutos ; en este caso, el display del reloj muestra el valor **P1:30**. Al finalizar la actividad de autolimpieza, el display muestra la indicación **P---** fija y la letra **A** parpadeante. Las indicaciones desaparecen del display cuando se pone el selector de modo en la posición CERO. La puerta permanece bloqueada hasta que la temperatura del horno se haya enfriado por debajo del umbral de seguridad; sólo entonces es cuando el sistema desbloquea la puerta.

El ventilador de enfriamiento se pone en marcha tan pronto como se selecciona la posición, e incrementa su velocidad cuando las partes internas se calientan. La temperatura del horno está ajustada automáticamente a 460°C para garantizar la limpieza perfecta de la cavidad.



El sistema también bloquea automáticamente la puerta para garantizar la seguridad del usuario ya que la temperatura en el interior es muy alta. Un indicador luminoso de cierre muestra el estado del mecanismo de cerrojo en todo momento.

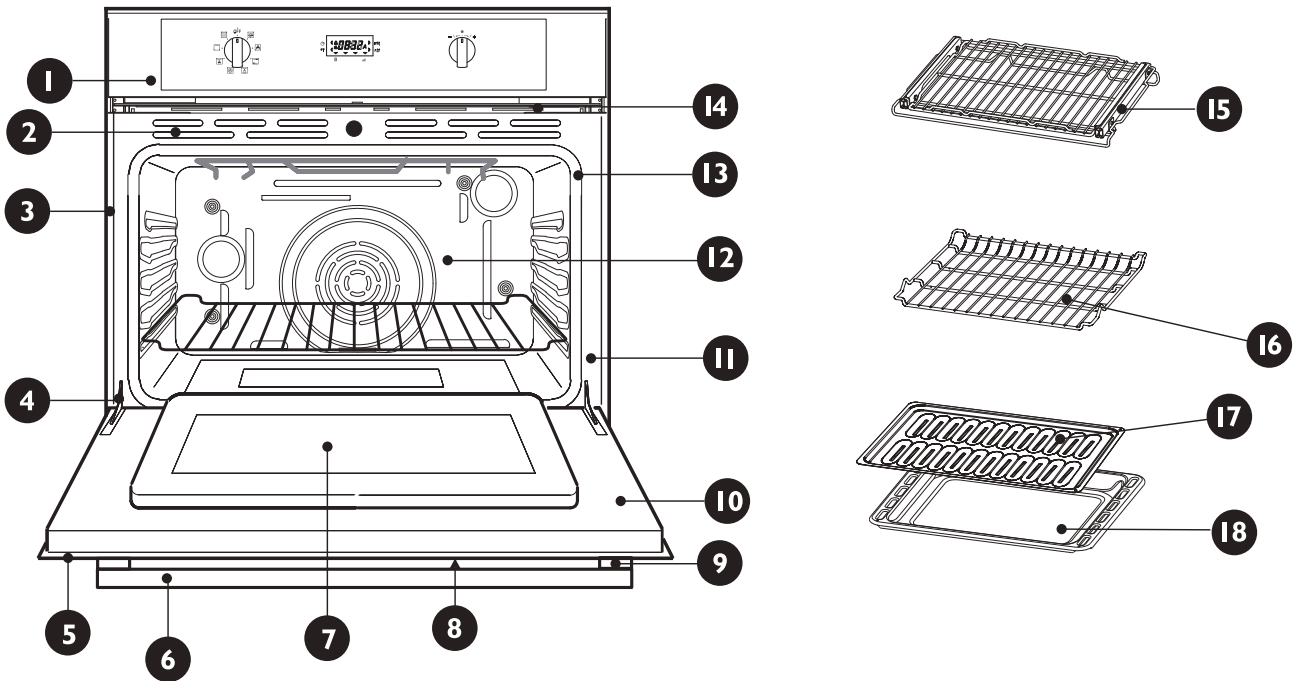
- Puerta desbloqueada, indicador luminoso de cierre apagado.
- Puerta bloqueada, indicador luminoso de cierre siempre encendido.
- Cerrojo en movimiento, transición en curso, indicador luminoso de cierre parpadeante.

Para utilizar nuevamente el horno después de una pirólisis, girar el selector de modo a la posición CERO (OFF).

**Cuidado general del horno**

**Cómo usar la Tabla de limpieza**

1. Localice el número de la parte que tiene que limpiar en la figura de esta página.
2. Busque el nombre de cada parte en la Tabla de limpieza
3. Haga coincidir la letra con el método de limpieza Phe de la página siguiente.



**Tabla de limpieza**

Parte		Método de limpieza	Parte		Método de limpieza
		Horno de Acero Inoxidable			Horno de Acero Inoxidable
1	Panel de control	C - G	11	Marco delantero del horno	E
2	Aberturas de refrigeración de la puerta	E	12	Cavidad del horno	E
3	Moldura lateral	D	13	Empaque de la puerta	B
4	Moldura de fondo	D	14	Aberturas de refrigeración del horno	D
5	Marco de la puerta	E	15	Rejilla extensible	A
6	Agarradera de la puerta	G	16	Rejilla del horno	A
7	Interior de la ventana de la puerta	F	17	Rejilla para recipientes para asado	E
8	Frente de la puerta	C&G	18	Recipiente para asado	E
9	Tapa terminal	D			
10	Puerta del horno interior	E			

Para el método de limpieza consulte la página siguiente.

**Acabados del horno / métodos de limpieza**

El horno completo se tiene que limpiar de manera segura con una esponja jabonosa, enjuagar y secar. Si no se consiguen eliminar residuos persistentes, siga los métodos de limpieza que se muestran aquí abajo.

- Use siempre el limpiador más suave para hacer el trabajo.
- Frote el acabado del metal en la dirección del granulado.
- Use trapos limpios y suaves, esponjas o toallas de papel.
- Enjuague a fondo con el mínimo de agua posible para que no gotee agua en el interior de las ranuras.
- Seque para evitar que se formen alones.

Los limpiadores que se enumeran aquí abajo indican el tipo de productos que hay que usar y no se recomiendan. Use todos los productos según las instrucciones del paquete.

Parte	Método de limpieza
<b>A</b> Cromo placado	Lave con agua jabonosa caliente. O frote suavemente con esponjillas con Soft Scrub <sup>®</sup> , Bon-Ami <sup>®</sup> , Comet <sup>®</sup> , Ajax <sup>®</sup> , Brillo <sup>®</sup> o S.O.S <sup>®</sup> directamente. Se puede usar los limpiadores de horno Easy Off <sup>®</sup> o Dow <sup>®</sup> (fórmula de horno en frío), pero podrían provocar oscurecimientos y decoloración. Se pueden limpiar las rejillas en el horno durante el modo de Autolimpieza, pero perderán su acabado brillante y cambiar permanentemente a un gris metálico.
<b>B</b> Fibra de vidrio	<b>NO LIMPIE EL EMPAQUE A MANO.</b>
<b>C</b> Cristal	Eche Spary Windex <sup>®</sup> o Glass Plus en una tela primero, y luego límpielo. Use Fantastik <sup>®</sup> o Formula 409 <sup>®</sup> para quitar salpicaduras grasientas.
<b>D</b> Pintura	Limpie con agua jabonosa caliente o aplique Fantastik <sup>®</sup> o Formula 409 <sup>®</sup> primero a una esponja limpia o una toalla de papel y limpie. Evite el uso de limpiadores en polvo y esponjillas de fibra metálica y detergentes para hornos.
<b>E</b> Porcelana	Limpie de inmediato derrames ácidos como jugos de fruta, leche y jitomate con una toalla seca. No use una esponja/toalla húmeda sobre porcelana caliente. Cuando ya está fría, limpie con agua jabonosa caliente o aplique Bon-Ami <sup>®</sup> o Soft Scrub <sup>®</sup> a una esponja húmeda. Enjuague y seque. Para manchas resistentes, use suavemente esponjillas con Brillo <sup>®</sup> o S.O.S <sup>®</sup> . Es normal que la porcelana se agriete (líneas finas) con el tiempo debido a la exposición al calor y a los residuos de comida.
<b>F</b> Cristal reflectante	Limpie con agua caliente jabonosa y una esponja o un estropajo de plástico. Para las manchas de agua, use vinagre, Windex <sup>®</sup> , amoníaco o Bon-Ami <sup>®</sup> . <b>NO USE ABRASIVOS DUROS</b>
<b>G</b> Acero inoxidable	Siempre limpie con el grano. Limpie con una esponja jabonosa luego enjuague y seque o limpie con Fantastik <sup>®</sup> o Formula 409 <sup>®</sup> aplicado a una toalla de papel. Proteja y limpie con Stainless Steel Magic <sup>®</sup> y un trapo suave. Quite las manchas de agua con un trapo humedecido con vinagre blanco. Use Bar Keeper's Friend <sup>®</sup> para quitar la decoloración térmica.

### Operaciones de mantenimiento que puede hacer usted mismo Quitar la puerta del horno

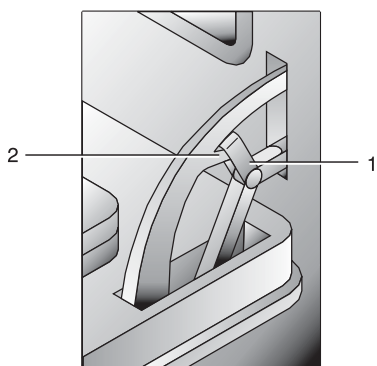
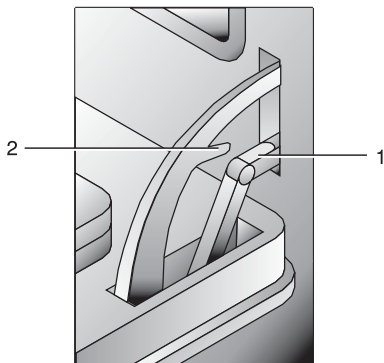


#### ADVERTENCIA

- Asegúrese de que el horno esté frío y de que se haya apagado la corriente antes de quitarla puerta. De otro modo podría causar una descarga eléctrica o quemaduras.
- La puerta del horno es pesada y frágil. Use ambas manos para quitar la puerta. La parte frontal de la puerta es de vidrio. Maneje con cuidado para evitar que se rompa.
- Agarre solo los costados de la puerta del horno. No use la agarradera ya que podría girar en su mano y causar daños o heridas.
- Si no agarra firmemente y de la manera correcta la puerta del horno podría causar lesiones a personas o daños al producto

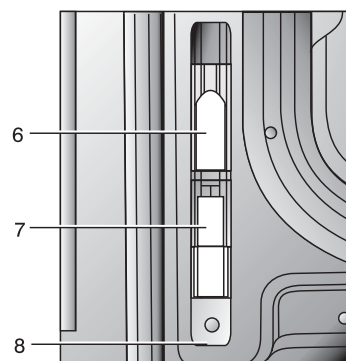
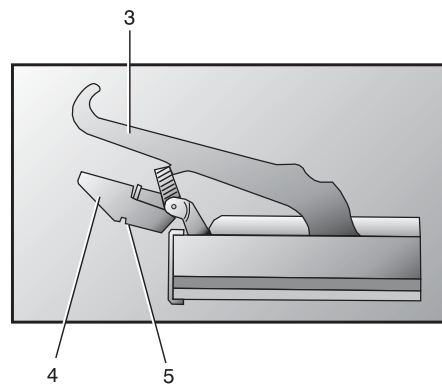
#### Para quitar la puerta

1. Abra la puerta completamente.
2. Levante los soportes de las bisagras (1) en las ranuras (2).
3. Sujete la puerta firmemente por los dos costados usando las dos manos y cierre la puerta.
4. Sujétela firmemente; la puerta es pesada.
5. Coloque la puerta en un lugar apropiado.



#### Para volver a colocar la puerta

1. Introduzca las patillas superiores (3) de las dos bisagras en las ranuras superiores (6) y las patillas inferiores (4) en las ranuras inferiores (7). Los batientes (5) se tienen que enganchar en los rebordes (8).
2. Coloque las bisagras (1) hacia atrás en su posición.
3. Cierre y abra la puerta lentamente para asegurarse de que está colocada correctamente y de manera segura.





*Cambiar una lámpara del horno*

- Cada horno está equipado con dos lámparas con bombillas halógenas colocadas en la pared posterior del horno.
- Las luces se enciende cuando las puertas se abren o cuando se encuentra en el ciclo de cocción.
- Las lámparas del horno no están encendidas durante la AUTOLIMPIEZA.
- Cada lámpara consiste en unas lentes removibles, una bombilla y un casquillo que está fijado en su lugar. Vea la figura de esta página.
- La sustitución de la bombilla se considera un mantenimiento de rutina.

**Para remplazar la bombilla**

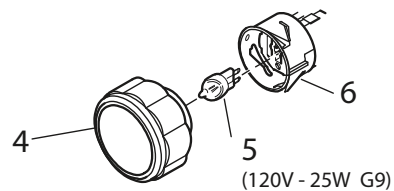
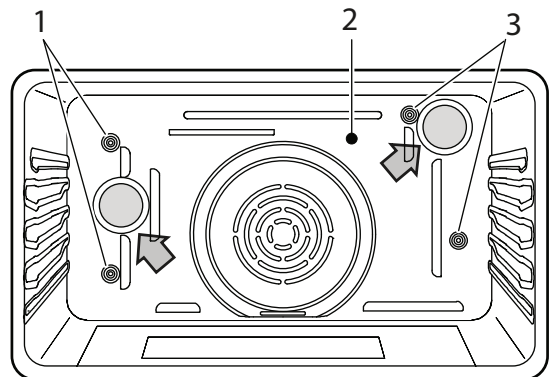
1. Lea la ADVERTENCIA de esta página.
2. Apague la corriente general (caja de fusibles o cortocircuito).
3. En los hornos de convección quite la tapa del ventilador destornillando los 4 tornillos con un destornillador.
4. Desenrosque las lentes.
5. Extraiga la bombilla de su casquillo.
6. Sustituya la bombilla con otra. Evite tocar la bombilla con los dedos, porque la grasa de las manos podría dañar la bombilla cuando se calienta.
7. El foco es de halógeno: Utilizar uno con los mismos Volt y Watt (**ver las figuras de esta página**).
8. Enrosque las lentes.
9. Vuelva a colocar la tapa del ventilador si el modelo está dotado con ello.
10. Restablezca la corriente general (caja de fusibles o cortocircuito).



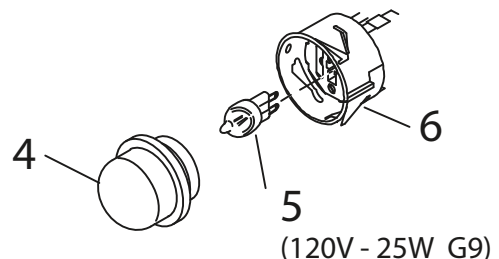
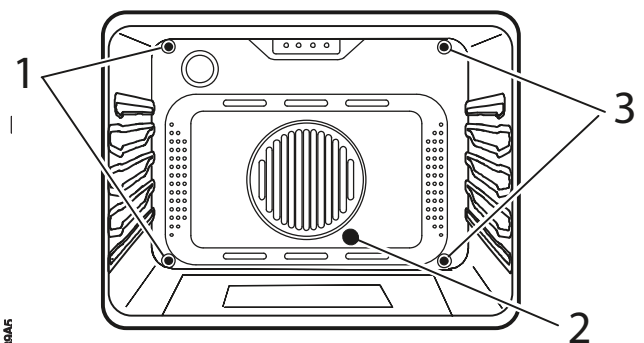
**ADVERTENCIA**

- Asegúrese de que el horno y las lámparas estén frías y la corriente está apagada antes de remplazar la(s) bombilla(s). Puede haber un fallo debido a una descarga eléctrica o a quemaduras.
- Las lentes tienen que estar montadas cuando se usa el horno.
- Las lentes sirven para evitar que se rompan las bombillas.
- Las lentes son de vidrio. Manéjelas con cuidado para evitar que se rompan. Los vidrios rotos pueden causar lesiones.

**30"**



**24"**



**Resolver los problemas de horneado y grill**

Tanto con el horneado como con el horneado por convección o el grill por convección pueden producirse resultados no satisfactorios debido a muchas razones, ajenas a un funcionamiento incorrecto del horno. Consulte la tabla a continuación para conocer las causas de los problemas más comunes. Debido a que el tamaño, la forma y el material de los utensilios de hornear tienen un efecto directo sobre los resultados del horneado, la mejor solución podría ser reemplazar los viejos utensilios de hornear que se han oscurecido y deformado con el tiempo y el uso. Consulte las tablas de cocción por horneado en las páginas 77 a 83.

Problema de horneado y grill	Causa
Los alimentos se doran poco uniformes	<ul style="list-style-type: none"> <li>• El horno no está precalentado</li> <li>• Papel de aluminio en la rejilla o fondo del horno</li> <li>• Utensilios de hornear son demasiado grandes</li> <li>• Los moldes tienen contacto o tocan la pared</li> </ul>
Los alimentos quedan muy dorados en el fondo	<ul style="list-style-type: none"> <li>• El horno no está precalentado</li> <li>• Se usa un molde de vidrio, mate o de metal oscuro</li> <li>• Posición incorrecta de la rejilla</li> <li>• Los moldes tienen contacto o tocan la pared</li> </ul>
Los alimentos quedan muy secos o muy encogidos	<ul style="list-style-type: none"> <li>• Temperatura del horno muy alta</li> <li>• Tiempo de hornear muy largo</li> <li>• Se abrió la puerta del horno frecuentemente</li> <li>• El molde es demasiado grande</li> </ul>
Los alimentos se hornean o asan muy lentamente	<ul style="list-style-type: none"> <li>• Temperatura del horno muy baja</li> <li>• El horno no está precalentado</li> <li>• Se abrió la puerta del horno frecuentemente</li> <li>• Muy sellado con papel de aluminio</li> <li>• El molde es demasiado pequeño</li> </ul>
Las costras de pays no se doran en el fondo o quedan muy empapadas.	<ul style="list-style-type: none"> <li>• Tiempo de hornear insuficiente</li> <li>• Se usan moldes de acero brillantes</li> <li>• Posición incorrecta de la rejilla</li> <li>• Temperatura del horno muy baja</li> </ul>
Los pasteles no se doran y quedan planos, tal vez sin terminar por adentro	<ul style="list-style-type: none"> <li>• Temperatura del horno muy baja</li> <li>• Tiempo de hornear incorrecto</li> <li>• Se probó el pastel antes de tiempo</li> <li>• Se abrió la puerta del horno frecuentemente</li> <li>• El molde es demasiado grande</li> </ul>
Los pasteles quedan elevados en el centro con grietas en la parte superior	<ul style="list-style-type: none"> <li>• Temperatura del horno muy alta</li> <li>• Tiempo de hornear muy largo</li> <li>• Los moldes tienen contacto o tocan la pared</li> <li>• Posición incorrecta de la rejilla</li> <li>• El molde es demasiado pequeño</li> </ul>
Los bordes de la costra de pays quedan muy dorados	<ul style="list-style-type: none"> <li>• Temperatura del horno muy alta</li> <li>• Los bordes de la costra son muy delgados</li> </ul>

**Resolución de los problemas de funcionamiento**

Antes de llamar y solicitar el servicio, controle lo siguiente para evitar cargas de servicio.

Problema del Jorno	Pasos para resolver los problemas
E008 aparecen en la pantalla	Ocurrió un problema con el bloqueo. Apague la corriente y vuelva a encenderla después de unos segundos. El horno debe realizar una autoprueba de bloqueo. Si la condición sigue igual, anote el número del código y llame a un centro de servicio autorizado.
Otro error E aparece en la pantalla	Apague la corriente y vuelva a encenderla después de unos segundos. El horno debe realizar una autoprueba de bloqueo. Si la condición sigue igual, anote el número del código y llame a un centro de servicio autorizado.
La pantalla del horno se queda apagada	Apague la corriente general (caja de fusibles o cortocircuito). Vuelva a conectar el circuito. Si la condición sigue igual, llame el centro de servicio autorizado.
El ventilador de refrigeración sigue funcionando después de apagar el horno	Esto es normal. El ventilador se apaga automáticamente cuando los componentes electrónicos se hayan enfriado suficientemente.
La puerta del horno está cerrada y no se abre, aún estando refrigerada	Apague el horno en el cortacircuito y espere unos segundos. Vuelva a conectar el circuito. El horno debe reiniciarse y se podrá operar.
El horno no calienta	Revise el cortacircuito o la caja de fusibles en su hogar. Asegúrese de contar con alimentación eléctrica correcta para el horno. Asegúrese de haber seleccionado la temperatura del horno.
El horno no cocina de un modo uniforme	Consulte las tablas de cocción para las posiciones recomendadas de rejillas. Siempre reduzca la temperatura de recetas en 25 °F (15 °C) cuando hornee con el modo de horneado por convección.
La temperatura del horno está muy alta o muy baja	Se debe ajustar el termostato del horno. Vea Calibrar la Temperatura del Horno, Pág. 75.
Las luces del horno no funcionan correctamente	Reemplace o reinserte el foco si está flojo o defectuoso. Vea la Pág. 89. La bombilla se puede quemar si lo toca con los dedos.
La luz del horno se queda encendida	Puede haber sólidos acumulados alrededor de la cubierta. Limpie el área del lente con una toalla seca y limpia antes de tratar de quitar la cubierta de la lente.
No se puede quitar la cubierta del lente	Puede haber sólidos acumulados alrededor de la cubierta. Limpie el área del lente con una toalla seca y limpia antes de tratar de quitar la cubierta de la lente.
El horno no se autolimpia bien	Permita que el horno se enfríe antes de ejecutar la Autolimpieza. Siempre elimine suciedades sueltas o derrames pesados antes de la Autolimpieza. Si el horno está muy sucio, configure una Autolimpieza de cuatro horas. Vea Autolimpieza del Horno, Páginas 84 a 85.
El reloj y cronómetro no funcionan bien	Asegúrese de que la corriente eléctrica sea correcta para el horno. Vea las secciones sobre Reloj y Temporizador, Páginas 70.
Hay mucha humedad	Cuando utilice el modo de horneado debe precalentar el horno. El horneado por convección elimina cualquier humedad en el horno (esta es una de las ventajas de la convección).
Astillas de porcelana	Al quitar y reemplazar las rejillas del horno, siempre debe inclinarlas hacia arriba y no forzarlas para evitar astillar la porcelana.

**Registro de datos para el servicio**

**Cómo obtener servicio Para información sobre servicio autorizado o refacciones, ver el párrafo "Garantía ..".**

Al abrir la puerta del horno se puede ver la etiqueta con el número de serie del producto. Se encuentra del lado izquierdo, centrada verticalmente justo dentro de la cavidad del horno. Vea la Pág. 66. Ahora es un buen momento para anotar esta información en el espacio proporcionado abajo. Guarde su factura para validar la garantía.

Número del Modelo \_\_\_\_\_ Número de Serie \_\_\_\_\_ Fecha de instalación y ocupación \_\_\_\_\_

**GARANTÍAS Fulgor Milano sobre aparatos electrodomésticos****Duración de la garantía:**

La garantía Fulgor Milano cubre, durante un plazo de veinticuatro meses a partir de la fecha original de compra, todas las piezas y el trabajo que se realice para la reparación y el reemplazamiento de todas las piezas del producto utilizadas en un contexto residencial normal y que manifiesten vicios en los materiales y en la fabricación.

**Conservar la factura original y el albarán de entrega como testimonio del derecho a la garantía.**

Para poder beneficiarse de la garantía, proceder de la manera siguiente :

1. Ponerse en contacto con el servicio autorizado Fulgor-Milano.
  - a. Para todo el territorio de América del Norte:  
en línea en <http://www.thevettagroup.com/servicerequest.a5w>
  - b. En los Estados Unidos por correo electrónico a [fulgor@adcoservice.com](mailto:fulgor@adcoservice.com) o al número gratuito 1-855-4-fulgor (1-855-438-5467)
  - c. En el este de Canadá (Ontario->Este)  
por correo electrónico a [service@distinctive-online.com](mailto:service@distinctive-online.com) o al número gratuito 1-800-361-0799
  - d. En el oeste de Canadá (Manitoba<-Oeste)  
por correo electrónico a [service@pacicspecialtybrands.com](mailto:service@pacicspecialtybrands.com) o al número gratuito 1-877-430-5253 x106
2. Presentar una copia de su tiqué de compra original con el número de modelo y el número de serie del producto.
3. Permitir a Fulgor Milan que compruebe su reclamación antes de que el Producto o cualquier parte del Producto hayan sido modificados o suprimidos.

**CLAÚSULAS DE GARANTÍA**

Esta garantía es válida únicamente en los 50 estados continentales de los Estados Unidos y en Canadá. Se aplica únicamente al comprador original y no se puede transferir. Todos los servicios suministrados por Fulgor Milano a título de la garantía deben efectuarse en un servicio de asistencia autorizado por Fulgor Milano salvo indicación contraria de este último. Los servicios se deben realizar en las horas de trabajo habituales de cada región.

La presente garantía se aplica únicamente a los productos comprados en un vendedor aceptado a través de una cadena de distribución autorizada; está destinado a una utilización residencial normal, cualquier uso comercial o instalación en una embarcación quedan expresamente excluidos. La garantía cubre las actividades realizadas en el lugar de instalación del producto ; los gastos de una reparación realizada en otro lugar quedan excluidos salvo autorización expresa de Fulgor Milano. Los gastos de desplazamiento derivados de una prestación de asistencia a realizar en un lugar alejado quedan excluidos. Se considera lugar alejado, el que se encuentra a una distancia superior a un radio de 50 millas (80 kilómetros) desde la sede del vendedor autorizado.

Esta garantía no cubre las piezas de repuesto ni las reparaciones en caso de fallos derivados de negligencia, del transporte y de la entrega, tensión inadecuada, accidente o utilización, mantenimiento, instalación, revisión o reparación o instalación impropia, lo que comprende especialmente, entre otras cosas, el desmontaje y la nueva instalación impropia de un componente del producto cualquiera que sea (por ejemplo desmontaje de los picaportes para hacer que pueda pasar por una puerta) antes o durante la entrega/instalación del producto. Las intervenciones descritas anteriormente son las únicas que suministra Fulgor Milano tanto a título de esta garantía como en el cuadro de cualquier otra garantía aplicable según los términos de la ley. Fulgor Milano no es responsable de la pérdida del producto por deterioro o por incendio, ni de los daños sufridos por el mobiliario y los materiales de construcción o de acabado, especialmente los revestimientos del suelo. Fulgor Milano declina toda responsabilidad por cualquier daño consiguiente o indirecto derivado del no-respeto de estas garantías o de otras garantías explícitas, implícitas u obligatorias.

La presente garantía no será válida y eficaz antes de haber presentado el documento que atestigüe la fecha de la compra del aparato, precisamente de la factura o del tique de compra o cualquier documento equivalente que indique el nombre del vendedor, la fecha de entrega y los datos de identificación del aparato (por ej. número del modelo, número de serie). En el caso de un producto nuevo incluido en la compra de una nueva construcción residencial, la garantía se aplica al primer habitante de los locales en los que se encuentre el producto Fulgor Milano y la fecha de entrada de la garantía será la de toma de posesión de la residencia (se requiere el certificado de ocupación) y, de todas maneras, lo más tarde a seis meses de la fecha de compra del producto por la sociedad en el distribuidor o vendedor. Esta extensión se aplica solo a los elementos descritos en la nota 1 a continuación.

Esta garantía no es válida nada más que si la diferencia entre la fecha de compra y la fecha de fabricación del producto es inferior a un año. Un producto que ha permanecido en stock durante más de un año estará cubierto por la garantía Stock B/Modelo destinado a la exposición de Fulgor Milano.

Durante el periodo de garantía, Fulgor Milano se reserva el derecho de evaluar la oportunidad de reparar el aparato o, a su discreción, reemplazarlo por un producto Fulgor Milano de características y funciones equivalentes. Fulgor Milano se reserva el derecho de revisar en cualquier momento la presente garantía.

Algunos Países no permiten la exclusión ni la limitación de los daños accesorios o consiguientes, la limitación o exclusión dirigida a otros recursos más altos, podría, pues, no aplicarse en su caso. La presente garantía le otorga los derechos legales específicos : podrá beneficiarse de otros derechos que pueden variar de un País a otro.

<sup>1</sup>Las puertas, picaportes, cuadros, soportes, superficies interiores y exteriores del producto están cubiertas durante una garantía limitada de 30 días por los defectos estéticos a la salida de la fábrica.

\*Las bombillas eléctricas de repuesto no están cubiertas por la garantía del producto.

## *Notes*

***Notes***



**FULGOR**  
MILANO

————— SINCE 1949 —————