

INSTALLATION INSTRUCTIONS

30" GAS SLIDE-IN RANGE

**INSTALLATION AND SERVICE MUST BE PERFORMED BY A QUALIFIED INSTALLER.
IMPORTANT: SAVE FOR LOCAL ELECTRICAL INSPECTOR'S USE.
READ AND SAVE THESE INSTRUCTIONS FOR FUTURE REFERENCE.**



⚠ WARNING If the information in this manual is not followed exactly, a fire or explosion may result causing property damage, personal injury or death.

FOR YOUR SAFETY:

- Do not store or use gasoline or other flammable vapors and liquids in the vicinity of this or any other appliance.
- **WHAT TO DO IF YOU SMELL GAS:**
 - Do not try to light any appliance.
 - Do not touch any electrical switch; do not use any phone in your building.
 - Immediately call your gas supplier from a neighbor's phone. Follow the gas supplier's instructions.
 - If you cannot reach your gas supplier, call the fire department.
- Installation and service must be performed by a qualified installer, service agency or the gas supplier.

Table of Contents

Important Safety Instructions.....	2	Moving the Appliance for servicing and Cleaning.....	8
Product & Cabinet Dimensions.....	3-4	Anti-Tip Brackets Installation	9-10
To Avoid Breakage.....	5	Range Installation.....	11
Before Starting.....	6	Leveling the Range.....	12
Cabinet Construction.....	6-7	Decorative Rear Trim Installation	12
Provide an Adequate Gas Supply.....	7	Check Operation.....	13-15
Seal the Openings.....	7	When All Hookups are Complete.....	15
Connect the Range to the Gas Supply	7-8	Model and Serial Number Location	15
LP/Propane Gas Conversion.....	8	Before You Call for Service.....	15
Electrical Requirements.....	8	Notes	47-48

Important Notes to the Installer

1. Read all instructions contained in these installation instructions before installing range.
2. Remove all packing material from the oven and the drawer compartments before connecting the gas and the electrical supply to the range.
3. Observe all governing codes and ordinances.
4. Be sure to leave these instructions with the consumer.
5. Note: For operation at 2000 ft. elevations above sea level, appliance rating shall be reduced by 4 percent for each additional 1000 ft.

Important Note to the Consumer

Keep these instructions with your owner's guide for future reference.

Appliances Installed in the state of Massachusetts:

This Appliance can only be installed in the state of Massachusetts by a Massachusetts licensed plumber or gasfitter.

This appliance must be installed with a three (3) foot / 36 in. long flexible gas connector.

A"T" handle type manual gas valve must be installed in the gas supply line to this appliance.

⚠ CAUTION Cold temperature can damage the electronic control. When using the appliance for the first time, or when the appliance has not been used for an extended period, be certain the unit has been in temperatures above 32°F (0°C) for at least 3 hours before turning on the power to the appliance.

30" GAS SLIDE-IN RANGE INSTALLATION INSTRUCTIONS

(Models with Sealed Top Burners)

IMPORTANT SAFETY INSTRUCTIONS

This manual contains important safety symbols and instructions. Please pay attention to these symbols and follow all instructions given.

⚠ WARNING This symbol will help alert you to situations that may cause serious bodily harm, death or property damage.

⚠ CAUTION This symbol will help alert you to situations that may cause bodily injury or property damage.

Installation of this range must conform with local codes or, in the absence of local codes, with the National Fuel Gas Code ANSI Z223.1/NFPA .54-latest edition.

This range has been design certified by CSA International. As with any appliance using gas and generating heat, there are certain safety precautions you should follow. You will find them in the Use and Care Guide, read it carefully.

- **Be sure your range is installed and grounded properly by a qualified installer or service technician.**
- **This range must be electrically grounded in accordance with local codes or, in their absence, with the National Electrical Code ANSI/NFPA No. 70—latest edition.** See Grounding Instructions.
- **Air curtain or other overhead hoods, which operate by blowing a downward air flow on to a range, shall not be used in conjunction with gas ranges other than when the hood and range have been designed, tested and listed by an independent test laboratory for use in combination with each other.**
- **Before installing the range in an area covered with linoleum or any other synthetic floor covering, make sure the floor covering can withstand heat at least 90°F above room temperature without shrinking, warping or discoloring.** Do not install the range over carpeting unless you place an insulating pad or sheet of ¼" (0,64 cm) thick plywood between the range and carpeting.
- **Make sure the wall coverings around the range can withstand the heat generated by the range.**
- **Do not obstruct the flow of combustion air at the oven vent nor around the base or beneath the lower front panel of the range.** Avoid touching the vent openings or nearby surfaces as they may become hot while the oven is in operation. This range requires fresh air for proper burner combustion.

⚠ WARNING Never leave children alone or unattended in the area where an appliance is in use. As children grow, teach them the proper, safe use of all appliances. Never leave the oven door open when the range is unattended.

⚠ WARNING Stepping, leaning or sitting on the doors or drawers of this range can result in serious injuries and can also cause damage to the range.

- **Do not store items of interest to children in the cabinets above the range.** Children could be seriously burned climbing on the range to reach items.
- **To eliminate the need to reach over the surface**

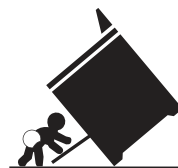
burners, cabinet storage space above the burners should be avoided.

- **Adjust surface burner flame size so it does not extend beyond the edge of the cooking utensil.** Excessive flame is hazardous.
- **Do not use the oven as a storage space.** This creates a potentially hazardous situation.
- **Never use your range for warming or heating the room.** Prolonged use of the range without adequate ventilation can be dangerous.
- **Do not store or use gasoline or other flammable vapors and liquids near this or any other appliance.** Explosions or fires could result.
- In the event of an electrical power outage, the surface burners can be lit manually. To light a surface burner, hold a lit match to the burner head and slowly turn the Surface Control knob to LITE. Use caution when lighting surface burners manually.
- **Reset all controls to the "off" position after using a programmable timing operation.**

FOR MODELS WITH SELF-CLEAN FEATURE:

- **Remove oven racks, broiler pan, food and other utensils before self-cleaning the oven.** Wipe up excess spillage. Follow the precleaning instructions in the Use and Care Guide.
- **Unlike the standard gas range, THIS COOKTOP IS NOT REMOVABLE.** Do not attempt to remove the cooktop.

⚠ WARNING Tip Over Hazard



- A child or adult can tip the range and be killed.
- Verify the anti-tip device has been installed to floor or wall as per installation instructions.
- Ensure the anti-tip device is re-engaged to floor or wall when the range is moved.
- Do not operate the range without the anti-tip device in place and engaged.
- Failure to follow these instructions can result in death or serious burns to children and adults.



To check if the anti-tip bracket is installed properly, use both arms and grasp the rear edge of range back. Carefully attempt to tilt range forward. When properly installed, the range should not tilt forward.

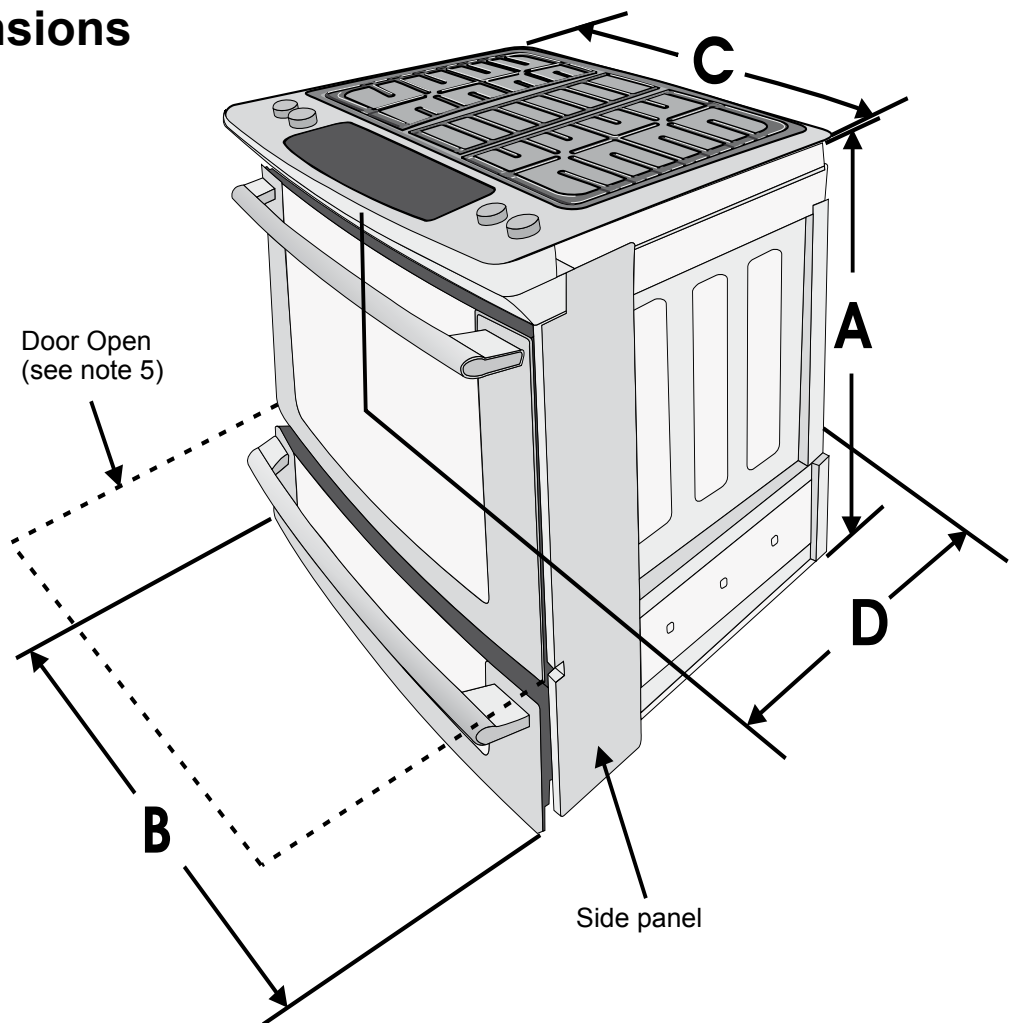
Refer to the anti-tip bracket **installation instructions** supplied with your range for proper installation.

30" GAS SLIDE-IN RANGE INSTALLATION INSTRUCTIONS

(Models with Sealed Top Burners)

Product Dimensions

⚠ WARNING Do not install the unit in the cabinet before reading next two pages.



A. HEIGHT (Under Cooktop)	B. WIDTH	C. COOKTOP WIDTH	D. TOTAL DEPTH TO FRONT OF RANGE	E. CUTOUT WIDTH (Countertop and cabinet)	F. CUTOUT DEPTH	G. HEIGHT OF COUNTERTOP
35 5/8" (90,5 cm) 36 5/8" (93 cm)	30" (76,2 cm)	31 1/2" (80 cm)	28 5/16" (71,9 cm)	30±1/16" (76,2±0,15 cm)	21 3/4" (55,2 cm) Min. 22 1/8" (56,2 cm) Max 24" (61 cm) Min. with backguard	36 5/8" (93 cm) Max. 35 7/8" (91,1 cm) Min.

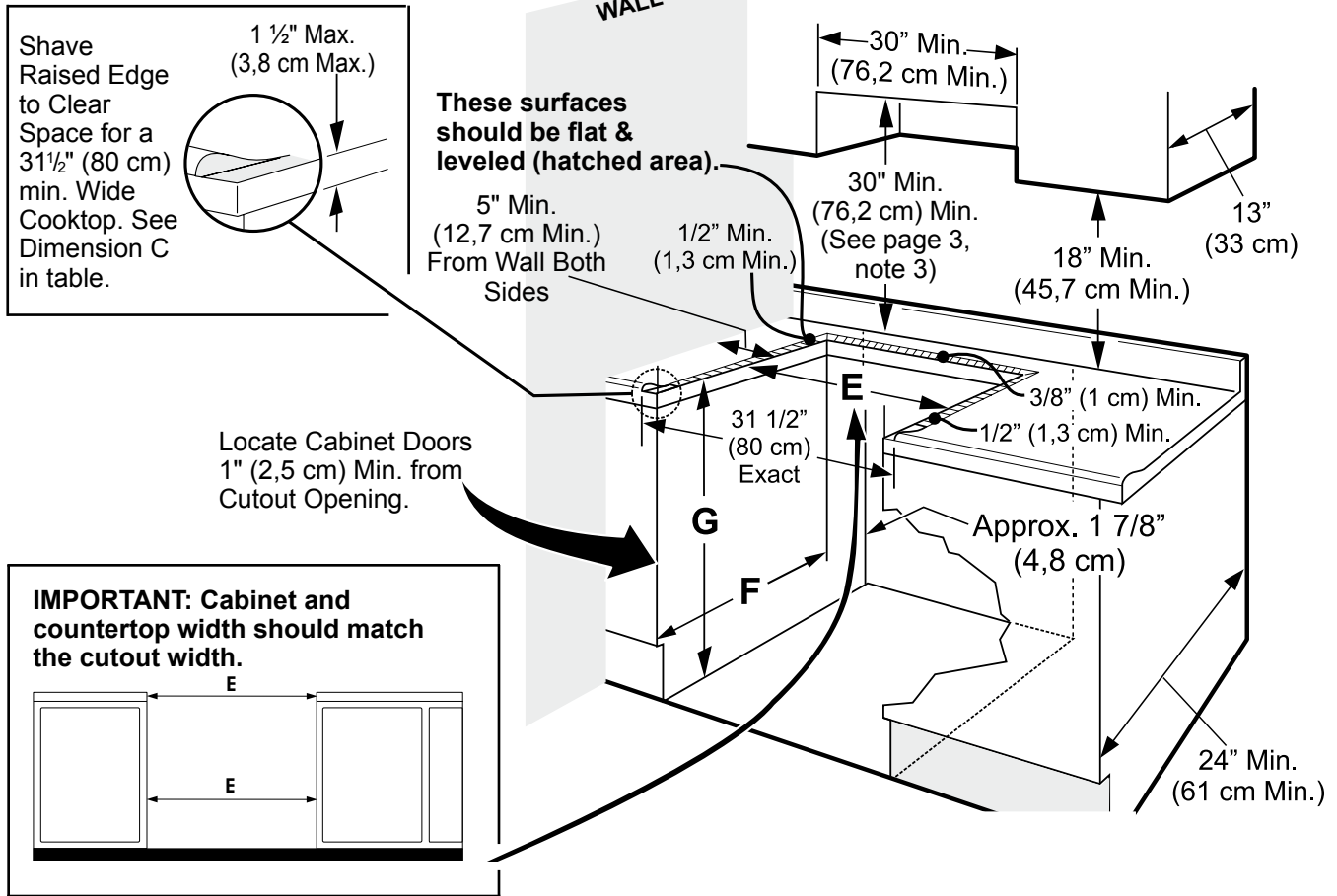
NOTES:

1. Do not pinch the power supply cord or the flexible gas conduit between the range and the wall.
2. Do not seal the range to the side cabinets.
3. 24" (61 cm) minimum clearance between the cooktop and the bottom of the cabinet when the bottom of wood or metal cabinet is protected by not less than 1/4" (0,64 cm) flame retardant millboard covered with not less than No. 28 MSG sheet metal, 0,015" (0,4 mm) stainless steel, 0,024" (0,6 mm) aluminum, or 0,020" (0,5 mm) copper.
30" (76,2 cm) minimum clearance when the cabinet is unprotected.
4. For cutouts below 22 7/8" (58,1 cm), appliance will slightly show out of the cabinet.
5. Allow at least 19 1/4" (48,9 cm) clearance for door depth when it is open.

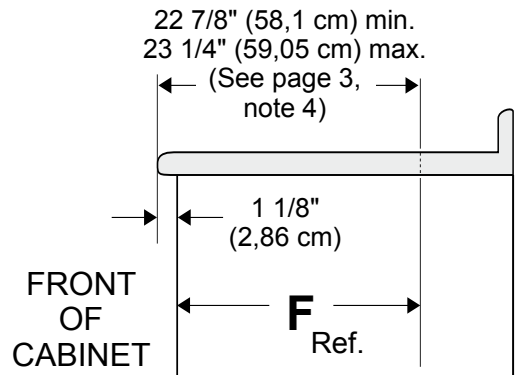
30" GAS SLIDE-IN RANGE INSTALLATION INSTRUCTIONS

(Models with Sealed Top Burners)

Cabinet Dimensions



***IMPORTANT:** To avoid cooktop breakage for cutout width (E dimension) of more than 30 1/16" (76,4 cm), make sure the appliance is centered in the counter opening while pushing into it. Raise leveling legs at a higher position than the cabinet height (see page 5), insert the appliance in the counter and then level. **Make sure the unit is supported by the leveling legs and NOT by the cooktop itself.**



CAUTION Do not install the unit in the cabinet before reading these 2 pages.

A. HEIGHT (Under Cooktop)	B. WIDTH	C. COOKTOP WIDTH	D. TOTAL DEPTH TO FRONT OF RANGE	E. CUTOUT WIDTH* (Countertop and cabinet)	F. CUTOUT DEPTH	G. HEIGHT OF COUNTERTOP
35 5/8" (90,5 cm) 36 5/8" (93 cm)	30" (76,2 cm)	31 1/2" (80 cm)	28 5/16" (71,9 cm)	30±1/16" (76,2±0,15 cm)	21 3/4" (55,2 cm) Min. 22 1/8" (56,2 cm) Max 24" (61 cm) Min. with backguard	36 5/8" (93 cm) Max. 35 7/8" (91,1 cm)

NOTE: Wiring diagram for these appliances are enclosed in this booklet.

30" GAS SLIDE-IN RANGE INSTALLATION INSTRUCTIONS

(Models with Sealed Top Burners)

To avoid breakage: Do NOT handle or manipulate the unit by the cooktop.

1. The counter-top around the cut-out should be flat and leveled (see hatched area on illustration 1).
2. Before installing the unit, measure the heights of the two (2) cabinet sides (H1-4), front and back (see illustration 1) from the floor to the top of the counter.
3. Level the range using the leveling legs and the adjustable leveling wheel (if equipped), so that the height from the floor to the underside of the metal flange is greater than the tallest cabinet measurement by at least $\frac{1}{16}$ " (0,16 cm) (see illustration 2).

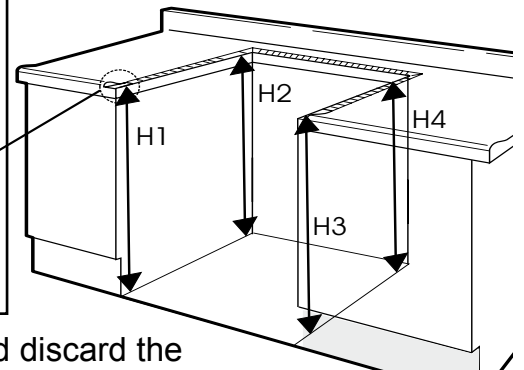
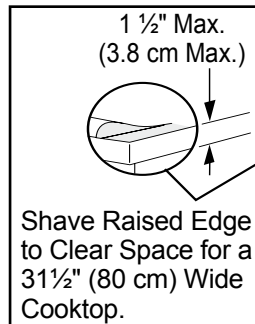
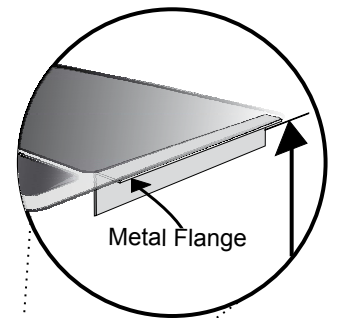


Illustration 1

4. **Model equipped with leveling device:** Remove and discard the two rear leveling legs, they are only in place to solidify the unit for the transport.
5. Slide the unit into the cabinet. Make sure the center of the unit is aligned with the center of the cabinet cut-out.
6. Remove the protective channels on each side of the cooktop (if provided).
7. The metal flange under each side of the cooktop **MUST** be placed over the cabinet countertop for proper unit support. The cooktop should NOT rest directly on the countertop (see illustration 2) or else it could cause damage to the cooktop voiding the warranty. Level the unit if needed.



8. After the installation, **MAKE SURE** that the unit is supported by the two front leveling legs and the two adjustable leveling wheels and **NOT** by the cooktop.

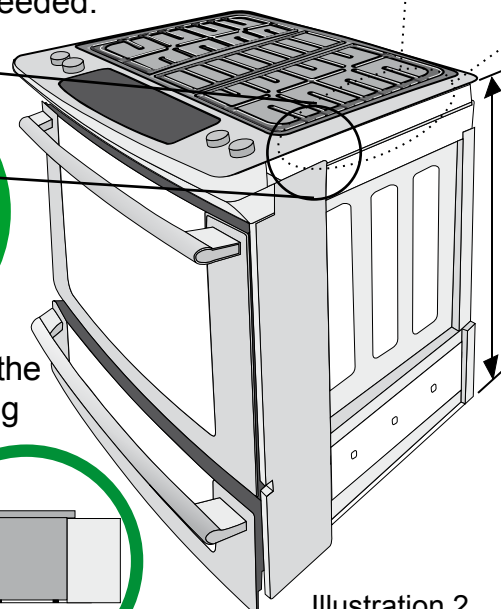
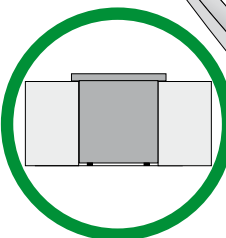
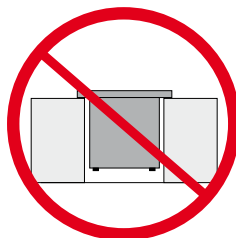
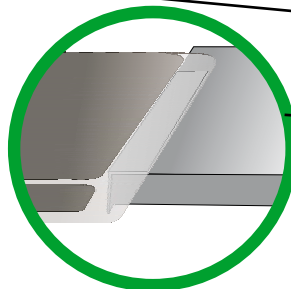
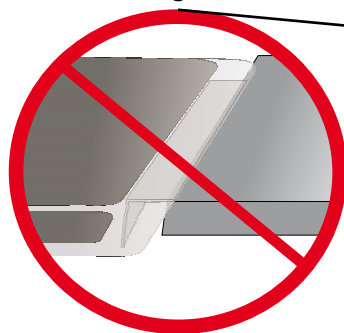
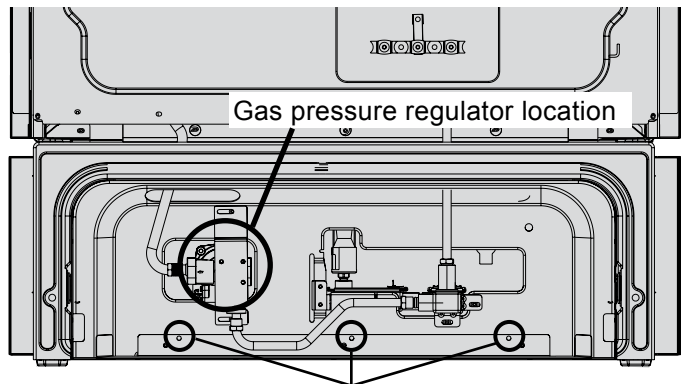


Illustration 2

30" GAS SLIDE-IN RANGE INSTALLATION INSTRUCTIONS

(Models with Sealed Top Burners)

- If you are using a through the floor gas entry, remove the line protector shield from the bottom of the unit to allow access for the pipe line (Figure 3).
- We recommend to install a pipe elbow right out of the floor or wall towards the center of the unit to ease the installation.



To remove the line protector, remove the 3 screws.
Figure 3

2. Provide an adequate Gas Supply

When shipped from the factory, this unit is designed to operate on 4" (10,16 cm) water column (1.0 kPa) Natural gas manifold pressure. A convertible pressure regulator is connected to the range manifold and **MUST** be connected in series with the gas supply line. If LP/Propane conversion kit has been used, follow instructions provided with the kit for converting the pressure regulator to LP/Propane use.

Care must be taken during installation of range not to obstruct the flow of combustion and ventilation air.

For proper operation, the maximum inlet pressure to the regulator should be no more than 14" (35,56 cm) of water column pressure (3,5 kPa). The inlet pressure to the regulator must be at least 1" (0,25 kPa) greater than the regulator manifold pressure setting. Examples: If regulator is set for natural gas 4" (10,16 cm) manifold pressure, inlet pressure must be at least 5" (12,7 cm); if regulator has been converted for LP/Propane gas 10" (25,4 cm) manifold pressure, inlet pressure must be at least 11" (27,9 cm).

Leak testing of the appliance shall be conducted according to the instructions in step 4.

The gas supply line should be 1/2" or 3/4" I.D. (Interior Diameter)

3. Seal the openings

Seal any openings in the wall behind the range and in the floor under the range after gas supply line is installed.

4. Connect the range to the gas supply

Important: Remove all packing material and literature from range before connecting gas and electrical supply.

To prevent leaks, put pipe joint sealant on all external pipe threads.

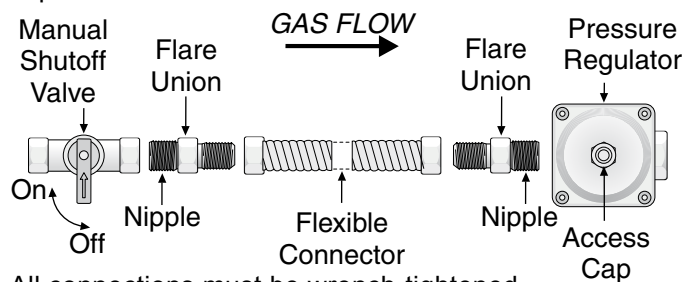
Your regulator is in location as shown in figure 3.

CAUTION Do not allow regulator to rotate on pipe when tightening fittings.

Connection to Pressure Regulator

The regulator is already installed on the appliance.

WARNING Do not make the connection too tight. The regulator is die cast. Overtightening may crack the regulator resulting in a gas leak and possible fire or explosion.



All connections must be wrench-tightened
Figure 4

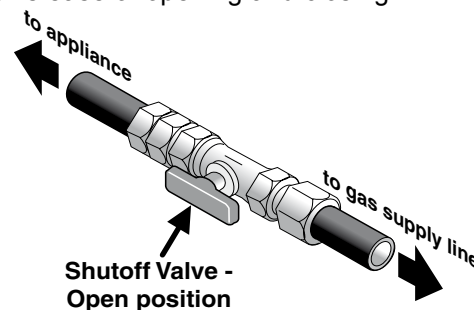
Assemble the flexible connector from the gas supply pipe to the pressure regulator in the following order:

1. manual shutoff valve (not included)
2. 1/2" nipple (not included)
3. 1/2" flare union adapter (not included)
4. flexible connector (not included)
5. 1/2" flare union adapter (not included)
6. 1/2" nipple (not included)
7. pressure regulator (included)

Use pipe-joint compound made for use with Natural and LP/Propane gas to seal all gas connections. If flexible connectors are used, be certain connectors are not kinked.

The supply line must be equipped with an approved manual shutoff valve. This valve should be located in the same room as the range and should be in a location that allows ease of opening and closing.

Do not block access to the shutoff valve. The valve is for turning on or shutting off gas to the appliance.



30" GAS SLIDE-IN RANGE INSTALLATION INSTRUCTIONS

(Models with Sealed Top Burners)

Once regulator is in place, open the shutoff valve in the gas supply line. Wait a few minutes for gas to move through the gas line.

Check for leaks. After connecting the range to the gas supply, check the system for leaks with a manometer. If a manometer is not available, turn on the gas supply and use a liquid leak detector (or soap and water) at all joints and connections to check for leaks.

⚠ WARNING Do not use a flame to check for leaks from gas connections. Checking for leaks with a flame may result in a fire or explosion.

Tighten all connections as necessary to prevent gas leakage in the range or supply line.

Disconnect this range and its individual manual shutoff valve from the gas supply piping system during any pressure testing of that system at test pressures greater than 1/2 psig (3,5 kPa or 14" water column).

Isolate the range from the gas supply piping system by closing its individual manual shutoff valve during any pressure testing of the gas supply piping system at test pressures equal to or less than 1/2 psig (3,5 kPa or 14" water column).

5. LP/Propane Gas Conversion

This appliance can be used with Natural gas or LP/Propane gas. It is shipped from the factory for use with natural gas.

If you wish to convert your range for use with LP/Propane gas, use the supplied fixed orifices located in a bag containing the literature marked "FOR LP/PROPANE GAS CONVERSION". Follow the instructions packaged with the orifices for surface, oven and broil burners conversion.

The conversion must be performed by a qualified service technician in accordance with the manufacturer's instructions and all local codes and requirements. Failure to follow these instructions could result in serious injury or property damage. The qualified agency performing this work assumes responsibility for the conversion.

⚠ WARNING Failure to make the appropriate conversion can result in serious personal injury and property damage.

6. Electrical Requirements

120 volt, 60 Hertz, properly grounded dedicated circuit protected by a 15 amp circuit breaker or time delay fuse.

Do not use an extension cord with this range.

Grounding Instructions

IMPORTANT Please read carefully.

For personal safety, this appliance must be properly grounded.

The power cord of this appliance is equipped with a 3-prong (grounding) plug which mates with a standard 3-prong grounding wall receptacle (see Figure 5) to minimize the possibility of electric shock hazard from the appliance.

The wall receptacle and circuit should be checked by a qualified electrician to make sure the receptacle is properly grounded.

Where a standard 2-prong wall receptacle is installed, it is the personal responsibility and obligation of the consumer to have it replaced by a properly grounded 3-prong wall receptacle.

Do not, under any circumstances, cut or remove the third (ground) prong from the power cord.

Preferred Method

Grounding type wall receptacle

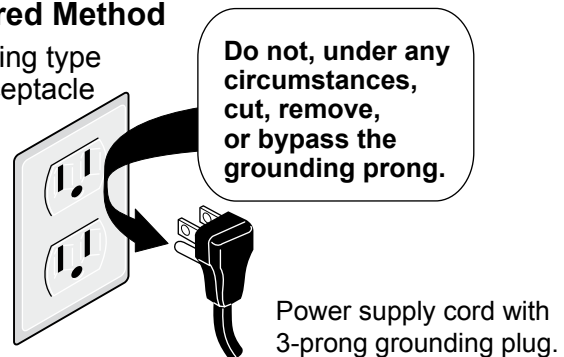


Figure 5

⚠ WARNING Disconnect electrical supply cord from wall receptacle before servicing the appliance.

7. Moving the Appliance for Servicing and Cleaning

Turn off the range line fuse or circuit breakers at the main power source, and turn off the manual gas shut-off valve. Make sure the range is cold. Remove the service drawer (warmer drawer on some models) and open the oven door. Lift the range at the front and slide it out of the cut-out opening without creating undue strain on the flexible gas conduit. Make sure not to pinch the flexible gas conduit at the back of the range when replacing the unit into the cut-out opening. Replace the drawer, close the door and switch on the electrical power and gas to the range.

30" GAS SLIDE-IN RANGE INSTALLATION INSTRUCTIONS

(Models with Sealed Top Burners)

8. Anti-Tip Brackets Installation Instructions

8.1 Models Equipped with Leveling Device

⚠ WARNING To reduce the risk of tipping of the range, the range must be secured to the floor by properly installed anti-tip bracket and screws packed with the range. These parts are located in the oven. Failure to install the anti-tip bracket will allow the range to tip over if excessive weight is placed on an open door or if a child climbs upon it. Serious injury might result from spilled hot liquids or from the range itself.

Follow the instructions below to install the anti-tip brackets.

If range is ever moved to a different location, the anti-tip brackets must also be moved and installed with the range.

Tools Required:

- Adjustable Wrench
- Ratchet
- Drill & 1/8" (0,32 cm) bit
- 5/16" (0,8 cm) Nutdriver
- Level

The anti-tip bracket attaches to the floor at the back of the range to prevent range from tipping. When fastening bracket to the floor, be sure that screws do not penetrate electrical wiring or plumbing. The screws provided will work in either wood or concrete.

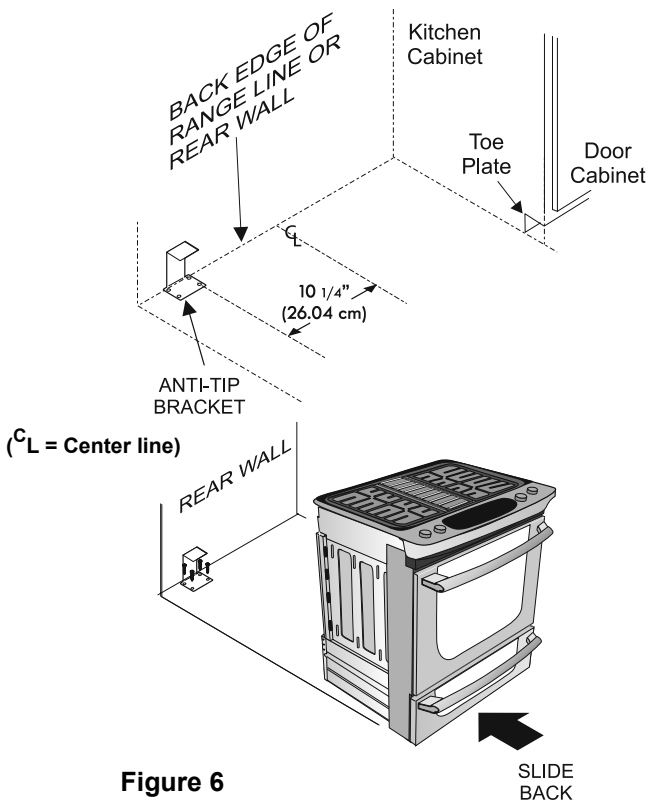


Figure 6

1. Draw a center line (CL) on the floor where the range should be installed. Also draw a line on the floor at the range back position if there is no wall.
2. Unfold paper template and place it flat on the floor with the right rear corner positioned exactly on the intersection of the center and back lines you just drew before. (Use the diagram below to locate brackets if template is not available (Figure 6)).
3. Mark on the floor the location of the 4 mounting holes shown on the template. For easier installation, 3/16" (0,48 cm) diameter pilot holes 1/2" (1,27 cm) deep can be drilled into the floor.
4. Remove template and place bracket on floor. Line up holes in bracket with marks on floor and attach with 4 screws provided. Bracket must be secured to solid floor (Figure 7). If attaching to concrete floor, first drill 3/16" (0,48 cm) dia. pilot holes using masonry drill bit.
5. Be sure the 4 leveling legs are at the highest position they can be.
6. Slide range into place making sure structure of the range is trapped by the anti-tip bracket (Figure 7). Lower the range by adjusting the 4 leveling legs until the underside of the cooktop is sitting level on the countertop. Refer to "Leveling the Range" section.
7. After installation, verify that the anti-tip bracket is engaged by grasping the top rear edge of the range and carefully attempt to tilt it forward to make sure range is properly anchored.

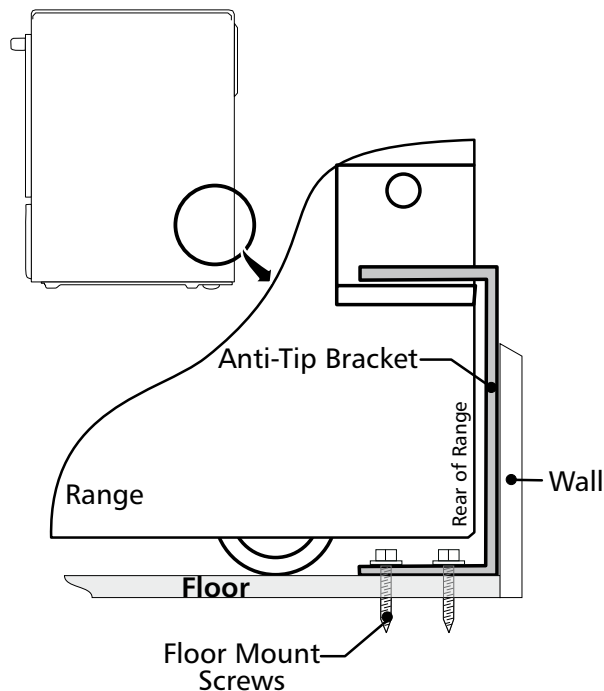


Figure 7

30" GAS SLIDE-IN RANGE INSTALLATION INSTRUCTIONS

(Models with Sealed Top Burners)

8.2 Models Equipped with Leveling Legs

⚠ WARNING To reduce the risk of tipping of the range, the range must be secured to the floor by the properly installed anti-tip bracket and screws packed with the range. Failure to install the anti-tip bracket will allow the range to tip over if excessive weight is placed on an open door or if child climbs upon it. Serious injury might result from spilled hot liquids or from the range itself.

If range is ever moved to a different location, the anti-tip bracket must also be moved and installed with the range.

Instructions are provided for installation in wood or cement floor. When fastening to floor, be sure that screws do not penetrate electrical wiring, gas line or plumbing.

A. Locate the Bracket Using the Template - Locate the bracket position (right or left side) by placing the template symmetrically to the center of the final range position. Mark the location of the screw holes, shown on template.



Figure 8

B. Drill Pilot Holes and Fasten Bracket - Drill a 1/8" (0,3 cm) pilot hole where screws are to be located. If bracket is to be mounted to the wall, drill pilot hole at an approximate 20° downward angle. If bracket is to be mounted to masonry or ceramic floors, drill a 3/16" (0,5 cm) pilot hole 1-3/4" (4,4 cm) deep. The screws provided may be used in wood or concrete material. Use a 5/16" (0,8 cm) nut-driver or flat head screwdriver to secure the bracket in place.

FASTEN BRACKET (WALL OR FLOOR MOUNTING)

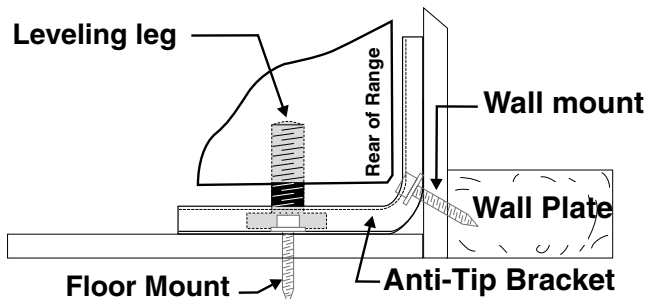


Figure 9

C. Level and position the range - Slide range to its final position. Insert the range leveling leg in the anti-tip bracket. Visually verify if the anti-tip bracket is engaged. Lower the range by adjusting the 4 leveling legs alternatively until the range is level. Check if the range is level by placing a spirit level on the oven rack. Take 2 readings with the spirit level placed diagonally; take a reading in one direction and then in the other direction. Level the range if necessary by adjusting the leveling legs.

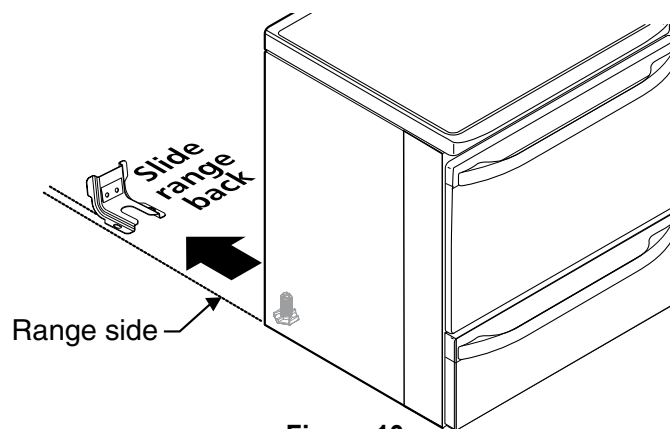


Figure 10

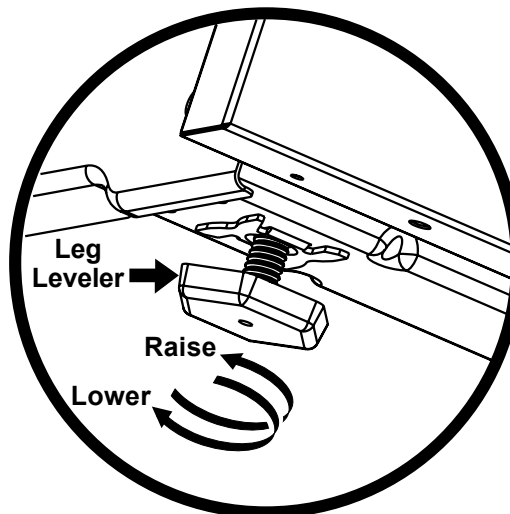


Figure 11

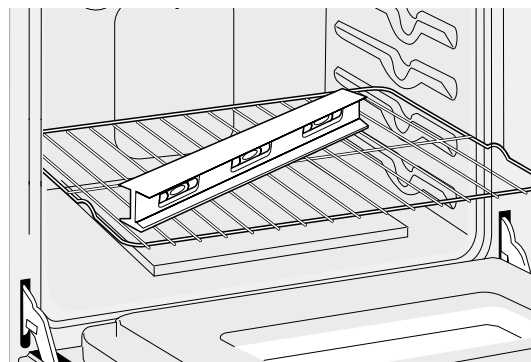


Figure 12

30" GAS SLIDE-IN RANGE INSTALLATION INSTRUCTIONS

(Models with Sealed Top Burners)

9. Range Installation

Important Note: Door removal is not a requirement for installation of the range, but is an added convenience.

Refer to the Use and Care Guide for oven door removal instructions.

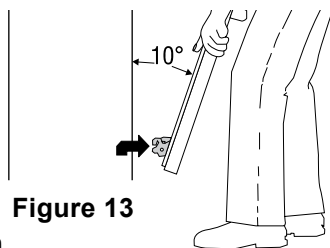


Figure 13

Standard Installation

- 9.1** The range cooktop overlaps the countertop at the sides and the range rests on the floor. The cooktop is 31 1/2" (80 cm) wide.
- 9.2** Install base cabinets 30" (76,2 cm) apart. Make sure they are plumb and level before attaching cooktop. Shave raised countertop edge to clear 31 1/2" (80 cm) wide range top rim.
- 9.3** Install cabinet doors 32" (81,3 cm) min. apart so it will not interfere with range door opening.
- 9.4** Cutout countertop exactly as shown on page 4.

For models equipped with Leveling Device:

- 9.5** Make sure the front leveling legs and the rear leveling device are setup higher than the height of the cabinet.
- 9.6** Remove and discard the two rear leveling legs, they are only in place to solidify the unit for the transport.
- 9.7** **CAUTION** Install the anti-tip bracket at this point before placing the range at its final position. Follow the installation instructions on page 9 or on the anti-tip bracket template supplied with the range.
- 9.8** To provide an optimum installation, the top surface of the countertop must be level and flat (lie on the same plane) around the 3 sides that are adjacent to range cooktop. Proper adjustments to make the top flat should be made or gaps between the countertop and the range cooktop may occur.
- 9.9** **CAUTION** To reduce the risk of damaging your appliance, do not handle or manipulate it by the cooktop or control console. Manipulate with care.
- 9.10** Position range in front of the cabinet opening.
- 9.11** Make sure that the cooktop which overhangs the countertop clears the countertop. If necessary, raise the unit by lowering the leveling legs.
- 9.12** Slide the range into the cutout opening and center it before leveling it.
- 9.13** **Level the range** (see section 10). The floor where the range is to be installed must be level. Follow the instructions under "Leveling the Range- Models Equipped with Leveling Device".

- 9.14** Adjust leveling legs so that the underside of the cooktop is sitting on the countertop. Carefully screw in (refer to Leveling the range: Models equipped with Leveling Device") the back leveling leg until the cooktop overhang touches slightly the countertop. Then carefully screw in the front two leveling legs until the cooktop overhang touches slightly the countertop.

For models equipped with Leveling Leg only (no leveling device):

- 9.5** Make sure the four leveling legs (front and rear) are setup higher than the height of the cabinet (shown on page 3).
- 9.6** **CAUTION** Install the anti-tip bracket at this point before placing the range at its final position. Follow the installation instructions on page 10 or on the anti-tip bracket template supplied with the range.
- 9.7** To provide an optimum installation, the top surface of the countertop must be level and flat (lie on the same plane) around the 3 sides that are adjacent to range cooktop. Proper adjustments to make the top flat should be made or gaps between the countertop and the range cooktop may occur.
- 9.8** **CAUTION** To reduce the risk of damaging your appliance, do not handle or manipulate it by the cooktop. Manipulate with care.
- 9.9** Position range in front of the cabinet opening.
- 9.10** Make sure that the cooktop which overhangs the countertop clears the countertop. If necessary, raise the unit by lowering the leveling legs.
- 9.11** **Level the range** (see section 9). The floor where the range is to be installed must be level. Follow the instructions under "Leveling the Range- Models Equipped with Leveling Legs".
- 9.12** Slide the range into the cutout opening.

IMPORTANT If Accessories Needed

Installation With Backguard

A backguard kit can be ordered through a Service Center. The cutout depth (21 3/4" (55,2 cm) Min., 22 1/8" (56,2 cm) Max.) needs to be increased to 24" (61 cm) when installing a backguard

Installation With End Panel

An end panel kit can be ordered through a Service Center.

Installation With Side Panel

A side panels kit can be ordered through a Service Center. Install cabinet doors 32" (81,3 cm) min. apart so as not to interfere with range door opening.

30" GAS SLIDE-IN RANGE INSTALLATION INSTRUCTIONS

(Models with Sealed Top Burners)

10. Leveling the Range

10.1 Models Equipped with Leveling Device

Level the range after installation in the cutout opening.

1. Open the range drawer. The leveling screws control the height of the rear leg.
2. Adjust the appliance legs as follows until the underside of the cooktop (or cooktop glass) surface is sitting level on the countertop (Figure 14).
 - a. To adjust the front legs, use a wrench on the leg base and turn counterclockwise to lower or clockwise to raise the range.
 - b. Remove the rear legs using a wrench on the leg base and turn counterclockwise until the legs are removed from the unit. You can discard those legs, they are only in place to solidify the unit for the transport.
 - c. To adjust the rear legs, use a ratchet or a nutdriver and turn the leveling screws counterclockwise to lower or clockwise to raise the range.
3. Check if the range is level by installing an oven rack in the center of the oven and placing a level on the rack (Figure 15).
4. Take 2 readings with the level placed diagonally in one direction and then the other. Level the range, if necessary, by adjusting the leveling legs.
5. If the range cannot be level, contact a carpenter to correct sagging or sloping floor.

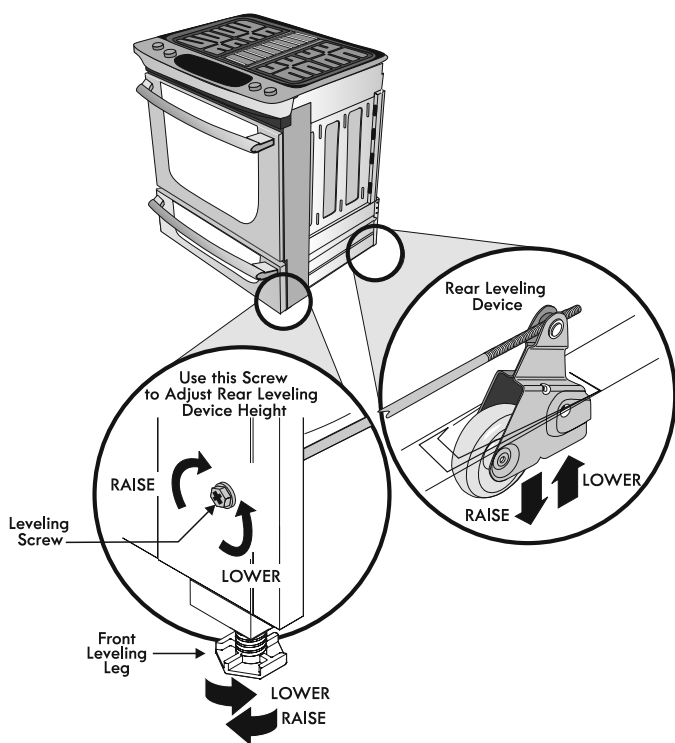


Figure 14

10.2 Models Equipped with Leveling Legs

Level the range and set cooktop height before installation in the cut-out opening.

1. Install an oven rack in the center of the oven.
2. Place a level on the rack (see Figure 15). Take 2 readings with the level placed diagonally in one direction and then the other. Level the range, if necessary, by adjusting the 4 leg levelers with a wrench (see Figure 11).
3. Taking care to not damage the countertop, slide range into cutout opening and double check for levelness.

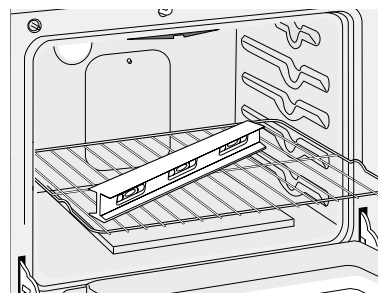


Figure 15

11. Decorative Rear Trim Installation (some models)

1. Disconnect the power from the range.
2. Make sure the range is leveled.
3. Pull range toward you.
4. Measure the distance between the floor and the surface underneath the cooktop frame.
5. Mark that distance on the wall where the decorative trim will be installed.
6. Draw a line.
7. Place the top of the decorative trim under that line.
8. Using the screws provided fix the decorative trim into the wall.
9. Slide the range back into position as far as it will go and reconnect the power source.

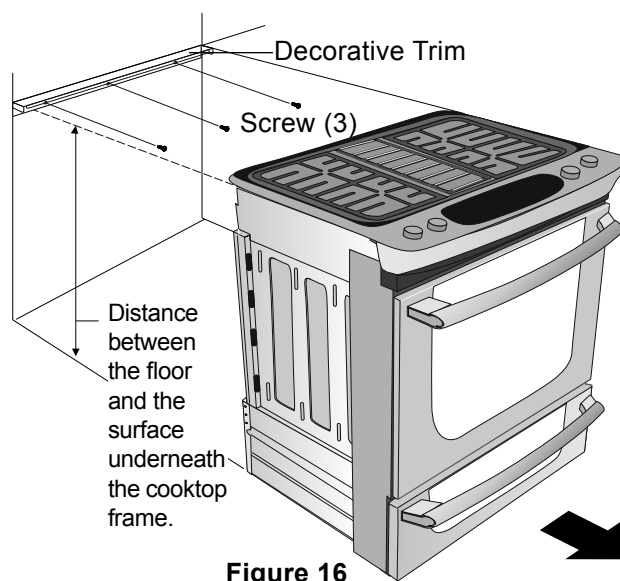


Figure 16

30" GAS SLIDE-IN RANGE INSTALLATION INSTRUCTIONS

(Models with Sealed Top Burners)

12. Check Operation

Refer to the Use and Care Guide packaged with the range for operating instructions and for care and cleaning of your range.

Remove all packaging from the oven before testing.

12.1 Check Burner Cap Placement

Regular burner

It is **very important** to be sure that all surface burner caps and burner grates are properly installed and in the correct locations **before** operating the appliance. Please note that the burner heads are secured to the cooktop. **The cooktop is not removable.** Do not attempt to remove or lift the cooktop.

⚠ WARNING To prevent flare-ups and avoid creation of harmful by-products, do not use the cooktop without all burner caps properly installed to insure proper ignition and gas flame size.

Always keep the burner caps and burner grates in place whenever the surface burners are in use. **DO not allow spills, food, cleaning agents or any other material to enter the gas orifice holder openings.**

Check and be sure the size of each burner cap matches the size of the burner head. Check and be sure that all round style burner caps are correctly in place on round burner heads.

Check and be sure that all oval style burner caps are correctly in place on oval burner heads (if equipped). Check and be sure that all dual or twin style burner caps are correctly in place on dual or twin heads (if equipped).

On round style burners, the burner cap lip (Figure 17) should fit snug into the center of burner head and be level. Refer to figures 18 & 19 for correct and incorrect burner cap placement.

Once in place, you may check the fit by gently sliding the burner cap from side to side (Figure 20) to be sure it is centered and firmly seated. When the burner cap lip makes contact inside the center of the burner head you will be able to hear the burner cap click. Please note that the burner cap should NOT move off the center of the burner head when sliding from side to side.

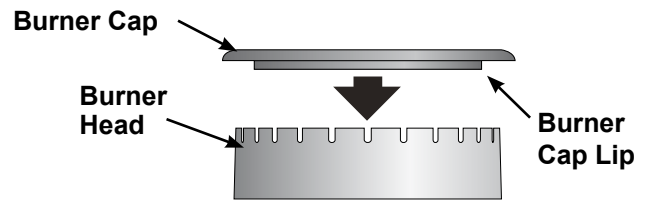
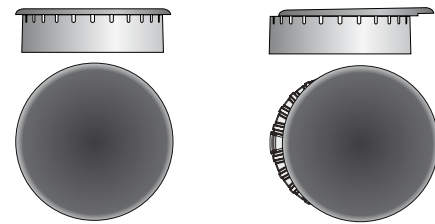


Fig. 17



Correct Burner Cap Placement

Fig. 18

Incorrect Burner Cap Placement

Fig. 19

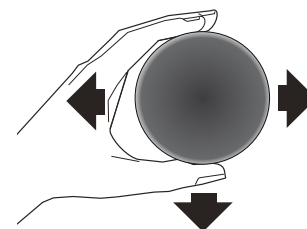


Fig. 20

Dual Flame burner (If equipped)

Remove all tapes from burner cap. Be sure that the dual flame burner caps are correctly placed **BEFORE** using your cooktop.

Note: There are no burner adjustments necessary on this cooktop.

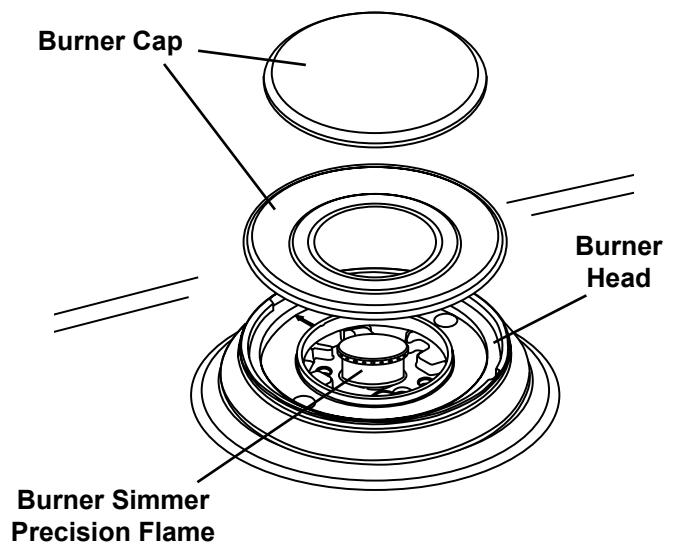


Figure 21

30" GAS SLIDE-IN RANGE INSTALLATION INSTRUCTIONS

(Models with Sealed Top Burners)

12.2 Turn on Electrical Power and Open Main Shutoff Gas Valve

12.3 Check the Igniters

Operation of electric igniters should be checked after range and supply line connectors have been carefully checked for leaks and range has been connected to electric power.

- To check for proper lighting, push in and turn a surface burner knob to the LITE position. You will hear the igniter sparking.
- The surface burner should ignite when gas is available to the burner. Purge air from supply lines by leaving knob in the **LITE** position until burner ignites. Each burner should light within four (4) seconds in normal operation after air has been purged from supply lines.
- Visually check that burner has a flame. Once the burner ignites, the control knob should be turned out of the LITE position.
- Try each surface control knob separately until all burner valves have been checked. Each burner location is equipped with a separate electrode.

12.4 Adjust the "LOW" Setting of Surface Burner Valves (linear flow)

Test to verify if LOW setting should be adjusted:

- Push in and turn control to LITE until burner ignites.
- Push in and quickly turn knob to lowest position.
- If burner goes out, reset control to OFF.
- Remove the surface burner control knob.
- Insert a thin-bladed screwdriver into the hollow

valve stem and engage the slotted screw inside. Flame size can be increased or decreased with the turn of screw. Turn counterclockwise to increase flame size. Turn clockwise to decrease flame size (Figure 22).

Adjust flame until you can quickly turn knob from LITE to lowest position without extinguishing the flame. Flame should be as small as possible without extinguishing.

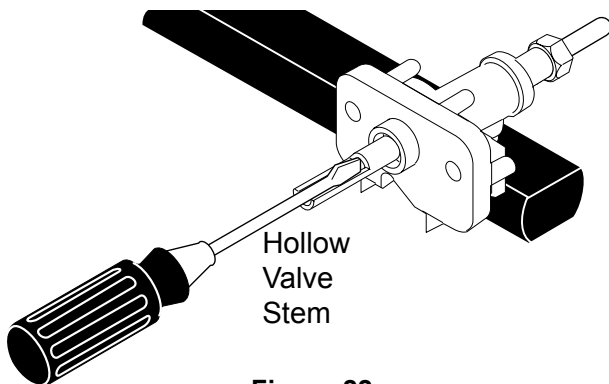


Figure 22

12.5 Operation of Oven Burners and Oven Adjustments

12.5.1 Electric Ignition Burners

Operation of electric igniters should be checked after range and supply line connectors have been carefully checked for leaks, and range has been connected to electric power.

The oven burner is equipped with an electric control system as well as an electric oven burner igniter. If your model is equipped with a waist-high broil burner igniter, it will also have an electric burner igniter. These control systems require no adjustment. When the oven is set to operate, current will flow to the igniter. It will "glow" similar to a light bulb. When the igniter has reached a temperature sufficient to ignite gas, the electrically controlled oven valve will open and flame will appear at the oven burner. There is a time lapse from 30 to 60 seconds after thermostat is turned ON before the flame appears at the oven burner. When the oven reaches the display setting, the glowing igniter will go off. The burner flame will go "out" in 20 to 30 seconds after igniter goes "OFF". To maintain any given oven temperature, this cycle will continue as long as the display is set to operate.

30" GAS SLIDE-IN RANGE INSTALLATION INSTRUCTIONS

(Models with Sealed Top Burners)

After removing all packing materials and literature from the oven:

- Set the oven to BAKE at 300°F. See Use & Care Guide for operating instructions.
- Within 60 seconds the oven burner should ignite. Check for proper flame, and allow the burner to cycle once. Reset controls to off.
- If your model is equipped with a high-waist broiler, set oven to broil. See Use & Care Guide for operating instructions.
- Within 60 seconds the broil burner should ignite. Check for proper flame. Reset controls to off.

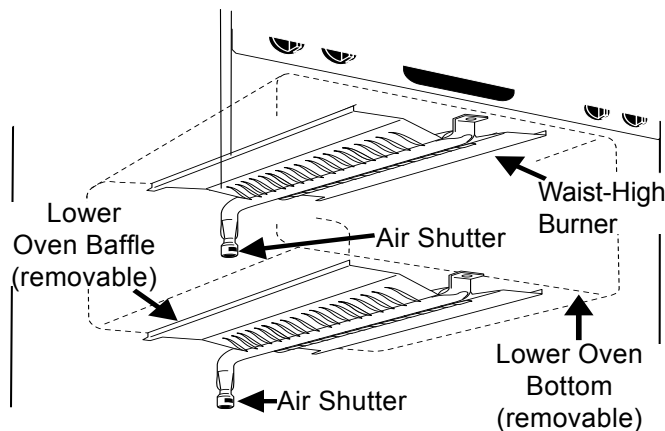


Figure 23

12.5.2 Air Shutter-Oven Burner

The approximate oven burner flame length is 1 inch (distinct inner cone of blue flame).

To determine if the oven burner flame is proper, remove the oven bottom and burner baffle and set the oven to bake at 300°F.

To remove the oven bottom, remove oven hold down screws at rear of oven bottom. Pull up at rear, disengage front of oven bottom from oven front frame, and pull the oven bottom out of the oven. Remove burner baffle so that burner flame can be observed.

If the flame is yellow, increase air shutter opening size (see "2" in Figure 24). If the entire flame is blue, reduce the air shutter opening size.

To adjust frame loosen lock screw (see "3" in Figure 24), reposition air shutter, and tighten lock screw. Replace oven bottom.

12.5.3 Air Shutter-Broil Burner

The approximate flame length of the burner is 1 inch (distinct inner cone of blue flame). To determine if the broil burner flame is proper, set the oven to broil. If flame is yellow, increase air shutter opening size (see "2" in Figure 24). If the entire flame is blue, reduce the air shutter opening size. To adjust, loosen lock screw (see "3" in Figure 24), reposition air shutter, and tighten lock screw.

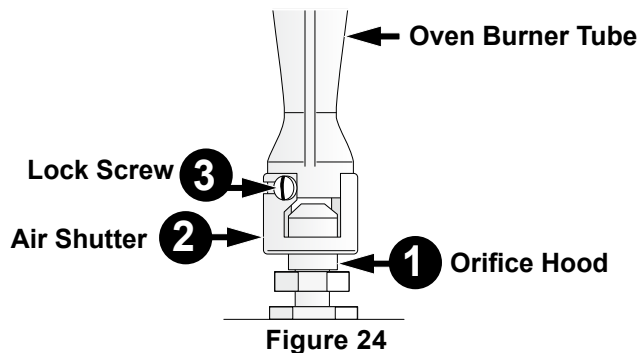


Figure 24

When All Hookups are Complete

Make sure all controls are left in the OFF position.

Make sure the flow of combustion and ventilation air to the range is unobstructed.

Model and Serial Number Location

The serial plate is located on the oven front frame behind the oven door (some models) or on the drawer side frame (some models).

When ordering parts for or making inquiries about your range, always be sure to include the model and serial numbers and a lot number or letter from the serial plate on your range.

Your serial plate also tells you the rating of the burners, the type of fuel and the pressure the range was adjusted for when it left the factory.

Before You Call for Service

Read the Before You Call Checklist and operating instructions in your Use and Care Guide. It may save you time and expense. The list includes common occurrences that are not the result of defective workmanship or materials in this appliance.

Refer to your Use & Care Guide for service phone numbers.

INSTRUCCIONES DE INSTALACIÓN DE COCINAS DE GAS DE 30"

LA INSTALACIÓN Y EL SERVICIO DEBEN SER EFECTUADOS POR UN INSTALADOR CALIFICADO. IMPORTANTE: GUARDE ESTAS INSTRUCCIONES PARA USO DEL INSPECTOR LOCAL DE ELECTRICIDAD. LEA Y GUARDE ESTAS INSTRUCCIONES PARA REFERENCIA FUTURA.



⚠ ADVERTENCIA Si la información contenida en este manual no es seguida exactamente, puede ocurrir un incendio o explosión causando daños materiales, lesión personal o la muerte.

PARA SU SEGURIDAD:

- No almacene ni utilice gasolina u otros vapores y líquidos inflamables en la proximidad de éste o de cualquier otro artefacto.
- **QUE DEBE HACER SI PERCIBE OLOR A GAS:**
 - No trate de encender ningún artefacto.
 - No toque ningún interruptor eléctrico; no use ningún teléfono en su edificio.
 - Llame a su proveedor de gas desde el teléfono de un vecino. Siga las instrucciones del proveedor de gas.
 - Si no logra comunicarse con su proveedor de gas, llame al departamento de bomberos.
- La instalación y el servicio de mantenimiento deben ser efectuados por un instalador calificado, la agencia de servicio o el proveedor de gas.

Tabla de materias

Importantes instrucciones de seguridad.....	17
Dimensiones de la unidad & de la gabinete	18-19
Para evitar fractura de la unidad	20
Antes de comenzar.....	21
Construcción del armario.....	21-22
Proporcione un suministro de gas adecuado	22
Selle las aperturas.....	22
Conecte la estufa al suministro de gas.....	22
Conversión para uso de propano líquido.....	23
Requisitos eléctricos.....	23

La mudanza del aparato para reparaciones o limpieza....	23
Instrucciones para la instalación de las fijaciones de anti-inclinación	24-25
Instalación de la estufa.....	26
Nivelación de la estufa	27
Instalación de accesorio decorativo trasero	27
Comprobación del Funcionamiento.....	28-30
Después de terminar la instalación	30
Ubicación del número de modelo y de serie	30
Antes de llamar al servicio.....	30
Notas	47-48

Notas importantes para el instalador

1. Lea todas las instrucciones antes de instalar la cocina.
2. Saque todo el material usado en el embalaje del compartimiento del horno antes de conectar el suministro eléctrico o de gas a la estufa.
3. Observe todo código o reglamento.
4. Asegúrese de dejar estas instrucciones con el consumidor
5. Nota: Para la utilización a más de 2 000 pies de altura, la potencia del aparato deberá ser reducida de 4 por ciento a cada 1 000 pies adicionales.

Aparatos Instalados en el estado de Massachusetts;

Este Aparato sólo puede ser instalado en el estado de Massachusetts por un plomero o ajustador de gas licenciado de Massachusetts.

Este aparato se debe instalar con un largo conector flexible de gas de tres (3) pies/36 pulgadas.

Una válvula manual de gas de tipo manija de forma de "T" se debe instalar en la línea del suministro de gas de este aparato.

Nota importante para el consumidor

Mantenga estas instrucciones con el manual del usuario para futuras referencias.

⚠ ADVERTENCIA Los controles eléctricos pueden ser dañados con frías temperaturas. Cuando utilice su estufa por la primera vez, o si no ha sido utilizada por mucho tiempo asegúrese que no haya sido expuestas a temperaturas más altas que 0°C/32°F por más de 3 horas antes de conectar su estufa al suministro eléctrico.

INSTRUCCIONES DE INSTALACIÓN DE COCINAS DE GAS DE 30"

(Modelos con quemadores sellados)

IMPORTANTES INSTRUCCIONES DE SEGURIDAD

Este manual contiene importantes mensajes de seguridad. Siempre lea y obedezca todo mensaje de seguridad.

⚠ ADVERTENCIA Indica una situación muy peligrosa, la cual de no ser evitada puede ocasionar graves heridas y hasta la muerte.

⚠ ATENCION Indica una situación de peligro inminente, la cual de no ser evitada puede ocasionar heridas leves o daños al producto solamente.

Instalación de esta estufa debe cumplir con todos los códigos locales, o en ausencia de códigos locales con el Código Nacional de Gas Combustible ANSI Z223.1/ NFPA54 o CAN/ACG-B149.1 y CAN/ACG-B149.2.

El diseño de esta estufa ha sido certificado por la CSA Internacional. En éste como en cualquier otro artefacto que use gas y genere calor, hay ciertas precauciones de seguridad que usted debe seguir. Estas serán encontradas en el Manual del Usuario, léalo cuidadosamente.

- **Asegúrese de que la estufa sea instalada y conectada a tierra en forma apropiada por un instalador calificado o por un técnico.**
- **Esta estufa debe ser eléctricamente puesta a tierra de acuerdo con los códigos locales, o en su ausencia, con el Código Eléctrico Nacional ANSI/ NFPA No. 70, última edición.** Vea las instrucciones para la puesta a tierra.
- **No se deben usar cortinas de aire ni ninguna otra campana de ventilación superior que sople aire hacia abajo sobre la estufa a gas a menos que la campana de ventilación y la estufa hayan**

sido diseñadas, probadas y certificadas por un laboratorio de pruebas independiente para el uso combinado de la una con la otra.

- **Antes de instalar la estufa en un área cuyo piso este recubierto con linóleo u otro tipo de piso sintético, asegúrese de que éstos puedan resistir una temperatura de por lo menos 90°F sobre la temperatura ambiental sin provocar encogimiento, deformación o decoloración.** No instale la estufa sobre una alfombra al menos que coloque una plancha de material aislante de por lo menos 1/4 pulgada, entre la estufa y la alfombra.
- **Asegúrese de que el material que recubre las paredes alrededor de la estufa, pueda resistir el calor generado por la estufa.**
- **No obstruya el flujo del aire de combustión en la ventilación del horno ni tampoco alrededor de la base o debajo del panel inferior delantero de la estufa.** Evite tocar las aberturas o áreas cercanas de la ventilación, ya que pueden estar muy calientes durante el funcionamiento del horno. La estufa requiere aire fresco para la combustión apropiada de los quemadores.

⚠ ADVERTENCIA Riesgo de volcamiento



- Un niño o adulto puede volcar la estufa y acabar muerto.
- Verificar que el braquet trasero este calibrado con la cubierta o el utensilio del anti-vuelco sea instalado

en las paredes del gabinete como la indican las instrucciones.

- Asegurar que el braquet antivuelco sea calibrado con la cubierta o los lados de la cabina así como lo indican las instrucciones cuando la estufa sea movida.
- No utilice la estufa sin el dispositivo antivuelco instalado y acoplado.
- Si no se siguen estas instrucciones, se puede provocar la muerte o quemaduras graves en niños y adultos.



Para verificar si la fijaciones de anti-inclinación está instalado correctamente, sostenga el borde trasero de la parte trasera de la estufa usando ambos brazos. Intente inclinar la estufa hacia adelante con cuidado. Si está instalada correctamente, la estufa no debería inclinarse hacia adelante.

Consulte las instrucciones de instalación del soporte antivuelco proporcionadas con la estufa para instalarlo adecuadamente.

⚠ ADVERTENCIA Nunca deje niños solos o desatendidos en un área donde un artefacto está siendo usado. A medida que los niños crecen, enséñeles el uso apropiado y de seguridad para todos los artefactos. Nunca deje la puerta del horno abierta cuando la estufa está desatendida.

⚠ ADVERTENCIA No se pare, apoye o sienta en las puertas o cajones de esta estufa pues puede resultar en serias lesiones y puede también causar daño a la estufa.

- **No almacene artículos que puedan interesar a los niños en los gabinetes sobre la estufa.** Los niños pueden quemarse seriamente tratando de trepar a la estufa para alcanzar estos artículos.
- **Los gabinetes de almacenamiento sobre la estufa deben ser evitados, para eliminar la necesidad de tener que pasar sobre los quemadores superiores de la estufa para llegar a ellos.**
- **Ajuste el tamaño de la llama de los quemadores superiores de tal manera que ésta no sobrepase el borde de los utensilios de cocinar.** La llama excesiva es peligrosa.
- **No use el horno como espacio de almacenaje.** Esto creará una situación potencialmente peligrosa.

INSTRUCCIONES DE INSTALACIÓN DE COCINAS DE GAS DE 30"

(Modelos con quemadores sellados)

- **Nunca use la estufa para calentar el cuarto.** El uso prolongado de la estufa sin la adecuada ventilación puede resultar peligroso.
- **No almacene ni utilice gasolina u otros vapores y líquidos inflamables en la proximidad de éste o de cualquier otro artefacto eléctrico.** Puede provocar incendio o explosión.
- En caso de una interrupción del servicio eléctrico, es posible de encender los quemadores de superficie a mano. Para encender un quemador de superficie, acerque un fósforo encendido del cabezal del quemador, y gire delicadamente el botón de control de superficie a LITE (encendido). Tener cuidado al encender los quemadores a mano.

- **Ajuste todos los controles a la posición "OFF" (apagada) después de haber hecho una operación con tiempo programado.**

PARA MODELOS AUTOLIMPIANTES:

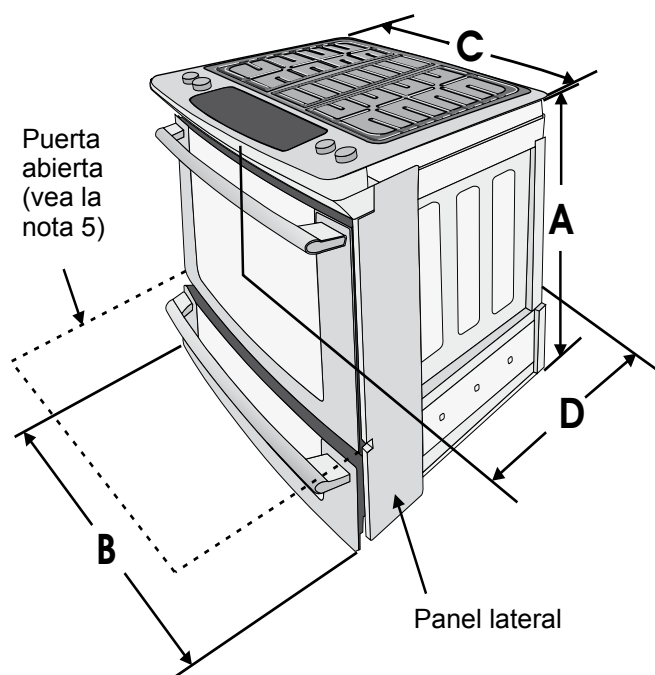
- **Saque las parrillas, la asadera, alimentos o cualquier otro utensilio antes de usar el ciclo de autolimpieza del horno.** Limpie todo exceso de derrame de alimentos. Siga las instrucciones de prelimpiado en el Manual del Usuario.
- **A diferencia de la gama estándar cocinas de gas, ESTA PLANCHA DE COCINA NO ES MOVIBLE.** No intente quitar la plancha de cocina.

Dimensiones de la unidad

⚠ ADVERTENCIA No instale la unidad en el gabinete si no ha leído esta página.

NOTAS:

1. No pellizque el cordón eléctrico entre la estufa y la pared.
2. No selle la estufa a los armarios de lado.
3. Un espacio mínimo de 24" (61 cm) entre la superficie de la estufa y el fondo del armario esto cuando el fondo del armario de madera o metal está protegido por no menos de 1/4" (0,64 cm) de madera resistente al fuego cubierta por una lámina metálica de MSG, número 28, 0,015" (0,4 mm) de acero inoxidable, 0,024" (0,6 mm) aluminio, o 0,020" (0,5 mm) de cobre.
Un espacio mínimo de 30" (76,2 cm) cuando el armario no este protegido.
4. Para los recortados menos que 22 7/8" (58,1 cm), el electrodoméstico aparecería ligeramente en el exterior del armario.
5. Deje por los 19 1/4" (48,9 cm) de espacio libre para la profundidad de la puerta cuando este abierta.

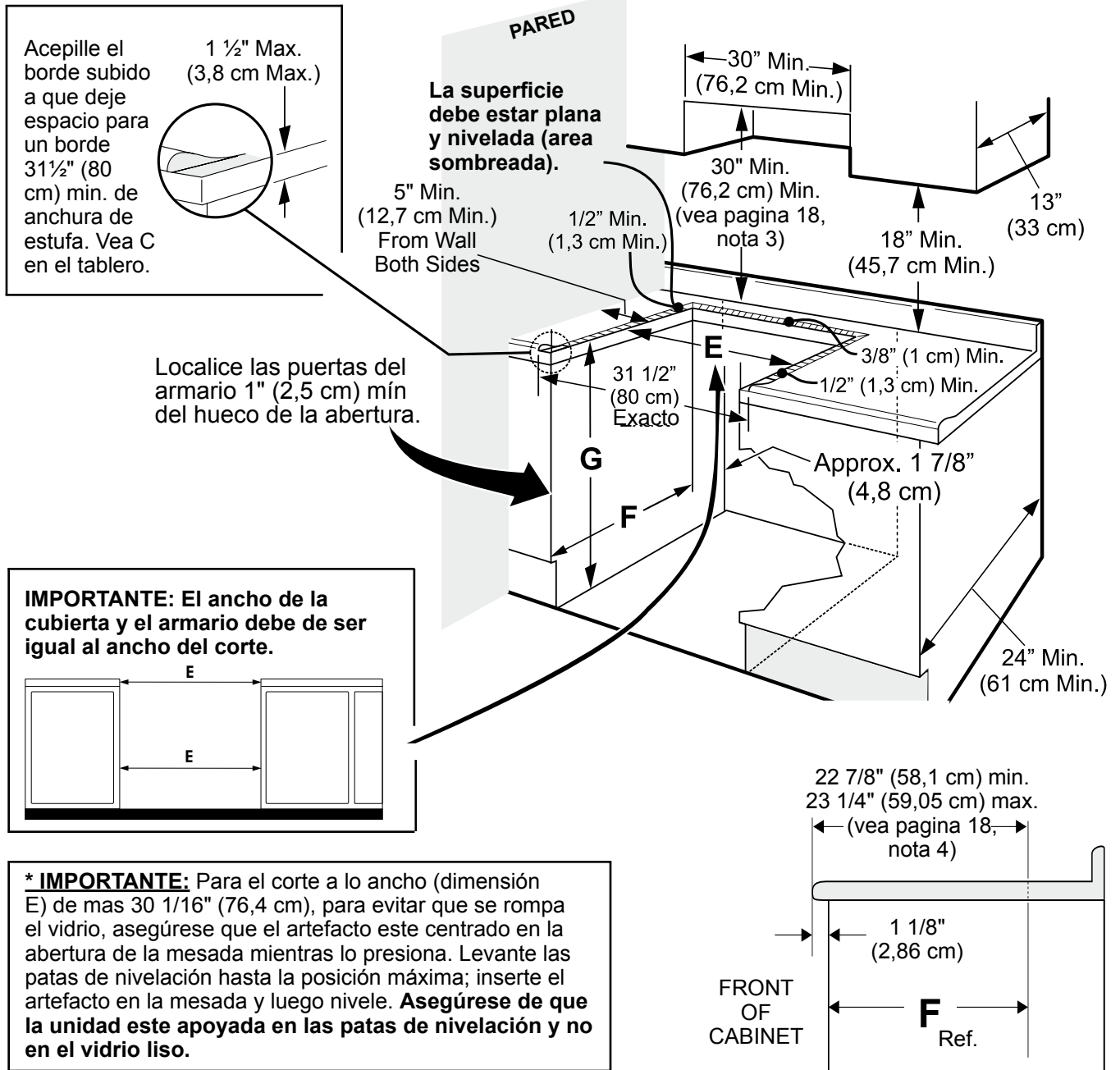


A. ALTURA (Bajo Cubierta)	B. ANCHO	C. ANCHO DE LA PLANCHA DE COCINAR	D. PROFUNDIDAD A LA FRENTE DE LA ESTUFA	E. ANCHO DE RECORTADO (cubierta y armario)	F. PROFUNDIDAD DE RECORTADO	G. ALTURA DEL MOSTRADOR
35 5/8" (90,5 cm) 36 5/8" (93 cm)	30" (76,2 cm)	31 1/2" (80 cm)	28 5/16" (71,9 cm)	30 ± 1/16" (76,2 ± 0,15 cm)	21 3/4" (55,2 cm) Min. 22 1/8" (56,2 cm) Max 24" (61cm) Min. con protector trasero	36 5/8" (93 cm) Max. 35 7/8" (91,1 cm)

INSTRUCCIONES DE INSTALACIÓN DE COCINAS DE GAS DE 30"

(Modelos con quemadores sellados)

Dimensiones de la Gabinete



⚠ PRECAUCION No instale la unidad en el gabinete si no ha leído esta 2 página.

A. ALTURA (Bajo Cubierta)	B. ANCHO	C. ANCHO DE LA PLANCHA DE COCINAR	D. PROFUNDIDAD A LA FRENTE DE LA ESTUFA	E. ANCHO DE RECORTADO* (cubierta y armario)	F. PROFUNDIDAD DE RECORTADO	G. ALTURA DEL MOSTRADOR
35 5/8" (90,5 cm) 36 5/8" (93 cm)	30" (76,2 cm)	31 1/2" (80 cm)	28 5/16" (71,9 cm)	30 ± 1/16" (76,2 ± 0,15 cm)	21 3/4" (55,2 cm) Min. 22 1/8" (56,2 cm) Max 24" (61 cm) Min. con protector trasero	36 5/8" (93 cm) Max. 35 7/8" (91,1 cm)

NOTA: Se adjunta el diagrama de cables de esta cocina al final de este libreta.

INSTRUCCIONES DE INSTALACIÓN DE COCINAS DE GAS DE 30"

(Modelos con quemadores sellados)

Para evitar fractura de la unidad: NO manipule la unidad sosteniendo la cubierta.

1. La cubierta alrededor del espacio donde usted instalara su unidad debe de estar plana y nivelada. (Vea el área sombreada en la ilustración número 1).
2. Antes de instalar la unidad, mida la altura de los dos (2) lados de los gabinetes (H1-4), frente y parte trasera (vea ilustración 1) del piso a lo alto de la cubierta.



3. Nivele la estufa utilizando las patas ajustables delanteras y las ruedas ajustables (si es equipado), de manera que la altura del suelo a la parte de abajo del reborde de metal sea de al menos 1/16" (vea ilustración 2).

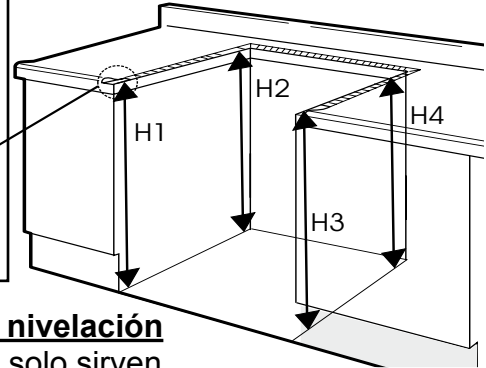
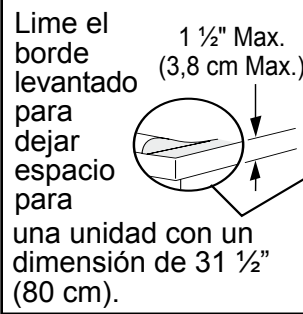
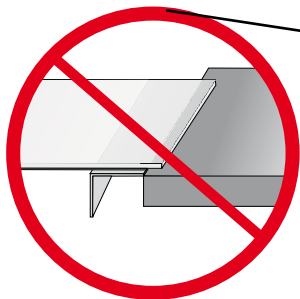
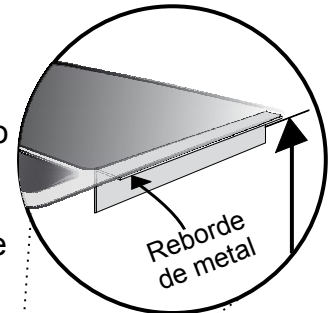
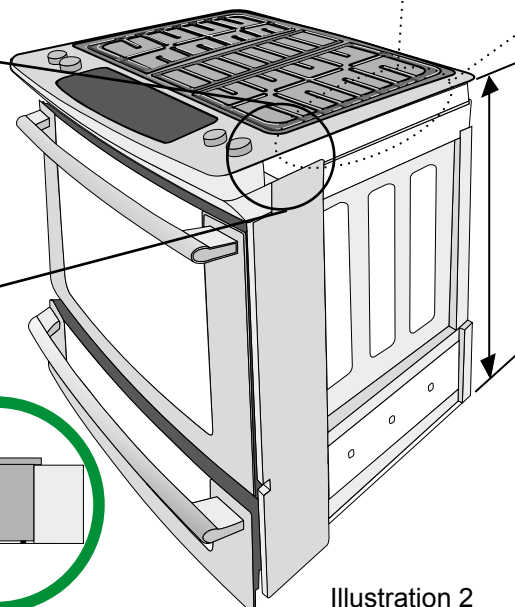
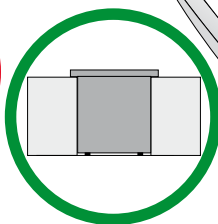
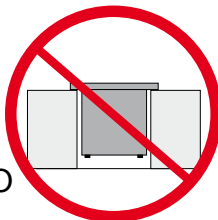
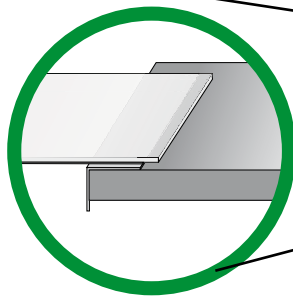


Illustration 1

4. **Modelos equipado con un sistema de dispositivo de nivelación**
Quite y deshágase de las dos patas ajustables traseras, solo sirven para sostener la unidad durante el transporte.
5. Deslice la unidad hacia el gabinete. Asegúrese que la unidad este centrada con el centro de la abertura del gabinete.
6. Remueva la parte en plástico extrudida en cada lado de la cubierta. (Algunos modelos).
7. Es imprescindible que el reborde de metal que se encuentra debajo de la cubierta este sobre la cubierta del gabinete. La cubierta no deberá tocar directamente la cubierta del gabinete (vea ilustración 2) de no ser así la fractura de la cubierta anulará la garantía. Nivele la unidad si es necesario.



8. Después de la instalación, ASEGÚRESE que la unidad este sostenida por las patas niveladoras y NO por la cubierta.



Para instalar exitosamente su estufa, la medida inicial del piso a la superficie interior de la cubierta de vidrio debe ser mayor que la altura del gabinete por lo menos 1/16" (0,16 cm) como se midió en el paso número 2.

Illustration 2

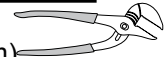
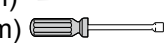



INSTRUCCIONES DE INSTALACIÓN DE COCINAS DE GAS DE 30"

(Modelos con quemadores sellados)

Antes de comenzar

Herramientas que va a necesitar

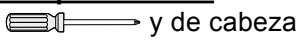

Para patas de nivelación y montura anti-vuelco:

- Llave ajustable o alicates 
- Llave para apretar tuercas de 1/4" (7mm) 
- Llave para apretar tuercas de 3/8" (10mm) 
- Taladro eléctrico y una broca de 1/8" (broca de taladro de hormigón de 5/32" si se instala sobre hormigón) 
- Nivel & Cinta de medición 


Para la conexión al suministro de gas:

- Pinza 
- Brocha 

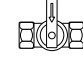

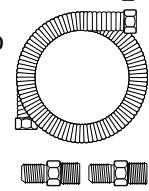

Para el ajuste de la llama de los quemadores:

- Destornilladores de estrella  y de cabeza plana 


Para la conversión a gas (PL/Propano o gas natural):

- Llave de boca de 1/2" 

Material adicional que va a necesitar:

- Válvula de desconexión de la línea de gas 
- Sellador para uniones de tuberías que resista la acción del gas propano/PL 
- Un conducto de metal flexible (1/2" NPT x 3/4" o de 1/2" de D.I.) con diseño certificado por CSA International. Ya que las tuberías rígidas restringen el movimiento de la cocina, se recomienda el uso de tuberías flexibles nuevas (de entre 1,20 a 1,50 mts) durante la instalación y cada vez que se vaya a instalar de nuevo o se cambie de lugar posteriormente. 
- Utilice siempre los dos (2) adaptadores de campana (1/2" NPT x 3/4" o de 1/2" D.I.) que se suministran con el conducto flexible nuevo para la conexión de la cocina. 

1. Construcción del armario

1.1  **PRECAUCIÓN** Para eliminar el riesgo de quemaduras o de fuego tratando de alcanzar algo por encima de las zonas calientes, evite de colocar artículos sobre la cocina. Si cree necesitar este espacio, el riesgo puede disminuir si instala un sombrerete que proteja horizontalmente un mínimo de 5" (12,7cm) sobre la base del armario.

1.2 Preparación del mostrador (Figura 1)

- Las extremidades de la cocina sobrepasan el borde de su mostrador.
- Si tiene un mostrador con las extremidades cuadradas (planas), no se necesita ninguna preparación del mostrador.
- El reborde de frente de mostradores moldeados deben tener bordes moldeados a 3/4" (1,9 cm) a partir de cada extremidad de la apertura (Figura 1).
- Los mostradores enazulejos deberán necesitar un

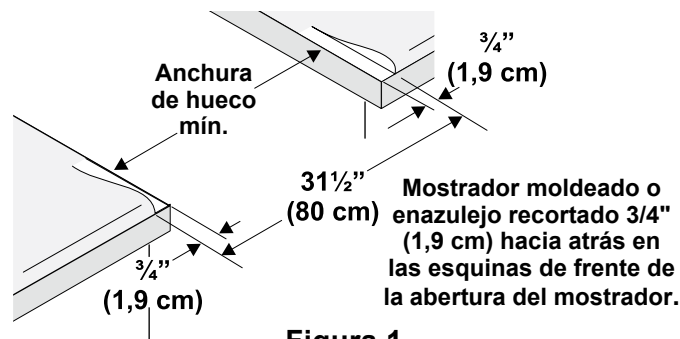


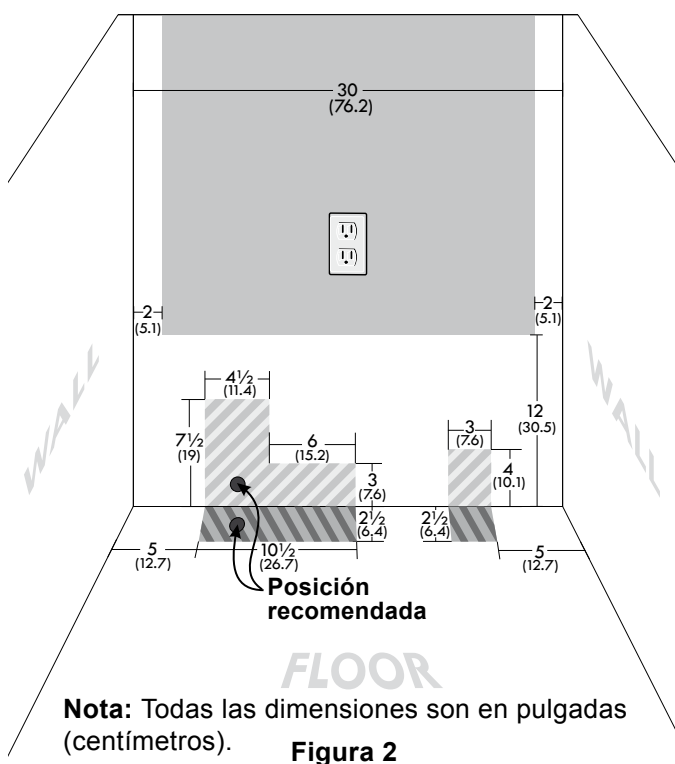
Figura 1

recorte de 3/4" (1,9 cm) a partir de cada extremidad y/o un borde redondeado aplanado (Figura 1).

- Si el ancho de la abertura del mostrador es más grande que 30 1/16" (76,4 cm), ajuste a las dimensiones como para el 3/4" (1,9).
- El mostrador deber ser nivelado. Coloque un nivelador sobre el mostrador, primero de lado a lado y luego del frente hacia atrás. Si el mostrador no está nivelado, la cocina no estará nivelada. El horno debe ser nivelado para tener resultados satisfactorios al hornear. Las extremidades de la plancha de la cocinar sobrepasan los bordes de la abertura del mostrador.

1.3 Preparación del suministro de gas y eléctrico

- Las áreas rayadas son las ubicaciones en donde la línea de gas puede entrar el armario (Fig 2).
- La posición recomendada para la entrada de la línea de gas esta localizada a 7" (17,8 cm) de la pared izquierda y a 2" (5,1 cm) del piso (Fig 2).
- El área sombreada es la localización en donde la toma eléctrica puede encontrarse (Fig 2).



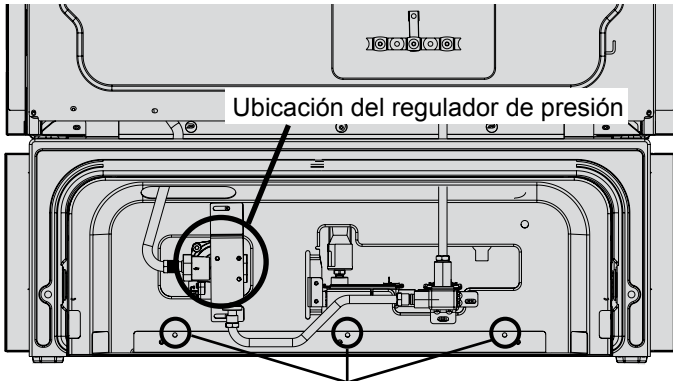
Nota: Todas las dimensiones son en pulgadas (centímetros).

Figura 2

INSTRUCCIONES DE INSTALACIÓN DE COCINAS DE GAS DE 30"

(Modelos con quemadores sellados)

- Si esta usando una salida de piso de gas, remover la protección de la línea de la parte de abajo de la unidad para permitir el acceso para la tubería de gas (Fig 3).
- Recomendamos instalar un codo de la tubería tan pronto salga del piso o de la pared alineándolo hacia el centro de la unidad para facilitar instalación.



Para remover la protección de la línea, retire las 3 tornillos.

Figura 3

2. Proporcione un suministro de gas adecuado

Cuándo se envía de la fábrica, esta unidad ha sido ajustada para operar con un múltiple de admisión para gas natural de 4" (10,16 cm) (1,0 kPa). Un regulador de presión convertible esta conectado a la válvula distribidora y DEBE ser conectado con la tubería del suministro de gas. Si el juego de conversión del propano LP/Propano se ha utilizado, sigue las instrucciones proporcionadas el juego para convertir el regulador de presión al uso de LP/Propano.

Se debe de tener cuidado durante la instalación de la estufa para no obstruir el flujo de aire de combustión y ventilación

Para la operación apropiada, la máxima presión de entrada al regulador no debe exceder la presión de una columna de agua de 14" (35,56 cm) (3,5 kPa). La presión de entrada al regulador debe ser por lo menos 1" (0,25 kPa) más grande que la válvula distribidora. Ejemplos: Si regulador se pone para el gas natural con una presión de 4" (10,16 cm), la presión de entrada al regulador debe ser por lo menos 5" (12,7 cm); si el regulador se ha convertido para gas LP/Propano 10" (25,4 cm) la presión de entrada al regulador debe ser por lo menos 11" (27,9 cm).

Un examen de detección de fugas del aparato debe ser realizado según las instrucciones en el paso 4.

La línea de fuente de gas debe ser de 1/2" o de 3/4".

3. Selle las aperturas

Sella todas las aperturas en la pared detrás de la estufa y en el suelo debajo de la estufa después que la línea del suministro de gas sea instalada.

4. Conecte la estufa al suministro de gas

Importante: Quite todo el material de embalaje y literatura de la estufa antes de conectar el gas y la fuente eléctrica.

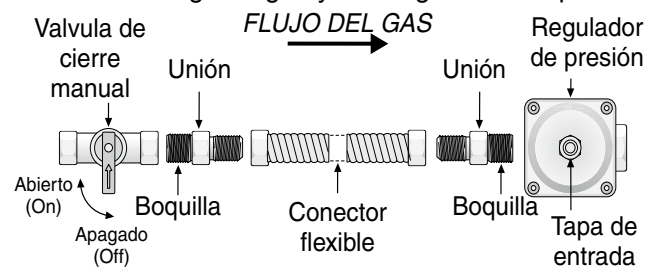
Para evitar fugas, aplique sellador de tuberías en todas las partes roscadas machos (exterior) de la tubería. El regulador se encuentra en el lugar que se muestra en la Figura 3.

⚠ PRECAUCION No permita que el regulador gire sobre la tubería al apretar las uniones.

Conecte el Regulador de Presión

El regulador de presión esta ya instalada para la estufa

⚠ ADVERTENCIA No haga la conexión demasiado apretada. El regulador es de die cast. El apretar demasiado puede agrietar el regulador dando por resultado una fuga de gas y un fuego o una explosión.



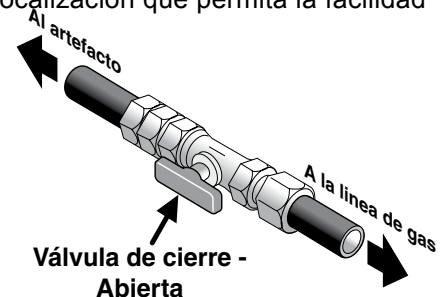
Todas las conexiones deben ser apretadas con una llave inglesa- **Figura 4**

Reúna el conector flexible del tubo del suministro de gas al regulador de la presión en la orden siguiente:

1. Válvula de cierre manual (no incluido)
2. Boquilla de 1/2" (no incluido)
3. 1/2" Adaptador de unión (no incluido)
4. Conector flexible (no incluido)
5. 1/2" Adaptador de unión (no incluido)
6. Boquilla de 1/2" (no incluido)
7. Regulador de presión (incluido)

Use sellador para uniones de tuberías hecho para el uso de gas natural y LP/Propano para sellar todas las conexiones de gas. Si se utilizan los conectores flexibles, asegúrese de que los conectores no están enroscados.

La línea del suministro se debe de ser equipada de una válvula de cierre manual aprobada. Esta válvula se debe localizar en el mismo cuarto que la estufa y debe estar en una localización que permita la facilidad de la abertura y del cierre. No bloquee el acceso a la válvula. La válvula es para encender o apagar el gas del aparato.



INSTRUCCIONES DE INSTALACIÓN DE COCINAS DE GAS DE 30"

(Modelos con quemadores sellados)

Una vez que regulador está en su lugar, abra la válvula en la línea del suministro de gas. Espere algunos minutos para que el gas pueda moverse a través de la línea de gas.

Compruebe para saber si hay fugas de gas.

Después de conectar la estufa con la fuente de gas, compruebe el electrodoméstico para saber si hay fugas con un manómetro. Si un manómetro no está disponible, gire la fuente de gas y utilice un detector líquido de fugas (o jabón y agua) en todos los empalmes y conexiones has la comprobación para fugas.

⚠ ADVERTENCIA No utilice una llama para verificar fugas en las conexiones de gas. Verificar para fugas con una llama puede tener como resultado un fuego o la explosión.

Apriete todas las conexiones como necesario para prevenir fugas de gas en la superficie de la estufa o en la línea de suministro.

Desconecte la estufa y su válvula de cierre manual del sistema de tubería del suministro de gas durante cualquier prueba de presión de ese sistema a presiones mayores de 1/2 psig (3,5 kPa o 14" columna de agua).

Aísle la estufa del sistema de tubería del suministro de gas cerrando su válvula de cierre manual durante cualquier prueba de presión del sistema de tubería del suministro de gas prueba de presión iguala a o a menos de 1/2 psig (3,5 kPa o 14" columna de agua).

5. Conversión para uso de Propano Líquido

Este aparato puede ser usado con gas natural o propano líquido. Ha sido ajustado en la fábrica para operar con gas natural solamente.

Si desea convertir su estufa para uso con propano líquido, use los orificios provistos ubicados en el bolso que contiene la literatura titulada "FOR LP/PROPANE GAS CONVERSION". Siga las instrucciones que vienen con los orificios.

La conversión debe ser efectuado por un técnico de servicio capacitado, de acuerdo con las instrucciones del fabricante y con todos los códigos y requisitos de las autoridades correspondiente. El no seguir las instrucciones podría dar como resultado lesiones graves o daños a la propiedad. El organismo autorizado para llevar a cabo este trabajo asume la responsabilidad de la conversión.

⚠ ADVERTENCIA La falta de una conversión apropiada puede resultar en lesiones graves y daños a la propiedad.

6. Requisitos eléctricos

120 voltio, 60 Hertzio, circuito dedicado apropiadamente puestos a tierra protegido por un circuito de amperio o fusible de demora de tiempo de 15 amp.

No utilice una extensión con esta estufa.

Instrucciones de puesta a tierra

IMPORTANTE Por favor lea con cuidado.

Para la seguridad personal, este aparato debe ser puesto a tierra apropiadamente.

El cable del suministro eléctrico de esta estufa está equipado con un enchufe de tres patillas (para puesta a tierra) que coincida con un enchufe de pared estándar con puesta a tierra de tres patillas para minimizar la posibilidad que se produzcan descargas eléctricas.

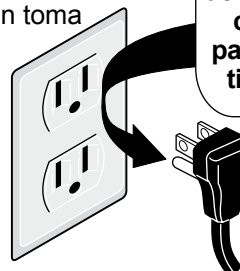
El cliente deberá encargar a un técnico para asegurarse de que el enchufe se encuentra debidamente conectado a tierra y polarizado.

En lugares en los que aya un enchufe de pared estándar de dos patillas, el cliente tendrá responsabilidad directa y la obligación de reemplazarlo por un enchufe de pared de tres patillas debidamente cableado a tierra.

Bajo ninguna circunstancia, corte, retire o derribe la tercera patilla (de toma de tierra) del cable del suministro de energía eléctrica.

Método preferido

Enchufe de pared con toma de tierra



No corte, retire o derribe, bajo ninguna circunstancia, la patilla de la toma de tierra del enchufe

Cable de suministro eléctrico con enchufe con toma de tierra

Figura 5

⚠ ADVERTENCIA Desenchufa el cable del suministro de energía eléctrica del enchufe de pared antes de mantener la unidad.

7. La mudanza del aparato para reparaciones o limpieza

Apague la corriente eléctrica a la estufa a la fuente de poder principal, y apague la válvula de cierre manual de gas. Asegúrese de que la estufa esté fresca. Quite el cajón de servicio (el cajón calentador en algunos modelos) y abre la puerta del horno. Levante la frente de la estufa y deslícela fuera de la abertura sin crear tensión desmedida sobre el conducto flexible de gas. Asegúrese de no pellizque el conducto flexible de gas detrás de la estufa al reemplazar la unidad en la abertura. Reemplace el cajón, cierre la puerta y enciende el gas y la corriente eléctrica a la estufa.

INSTRUCCIONES DE INSTALACIÓN DE COCINAS DE GAS DE 30"

(Modelos con quemadores sellados)

8. Instrucciones de instalación de la fijación anti-inclinación

8.1 Para los modelos equipado con un sistema de dispositivo de nivelación.

⚠ ADVERTENCIA Para reducir el riesgo de inclinación de la cocina, ésta debe ser asegurada hacia el piso con las fijaciones de anti-inclinación y los tornillos que vienen con la cocina. Estos componentes se encuentran en el horno. Si no instala las fijaciones, corre el riesgo que su cocina pueda inclinarse si pone demasiado peso en ella o si un niño sube sobre ésta. Esto podría ocasionar graves heridas causadas por líquidos calientes o por la propia cocina.

Siga estas instrucciones para instalar las fijaciones de anti-inclinación.

Si la cocina es trasladada a otro lugar, las fijaciones de anti-inclinación deben también ser trasladados con la cocina.

Herramientas necesarias:

Llave de tuerca ajustable, Trinquete, Taladro eléctrico con barrena de 1/8" (0,32 cm), Aprieta tuercas de 5/16" (0,8 cm) Nivel

Abrazadera sujeta al suelo en la parte trasera de la cocina para tener asida la parte posterior de la cocina. Al fijarla al suelo, verificar que los tornillos no atraviesen la instalación eléctrica o de fontanería. Los tornillos provistos sirven para madera o concreto.

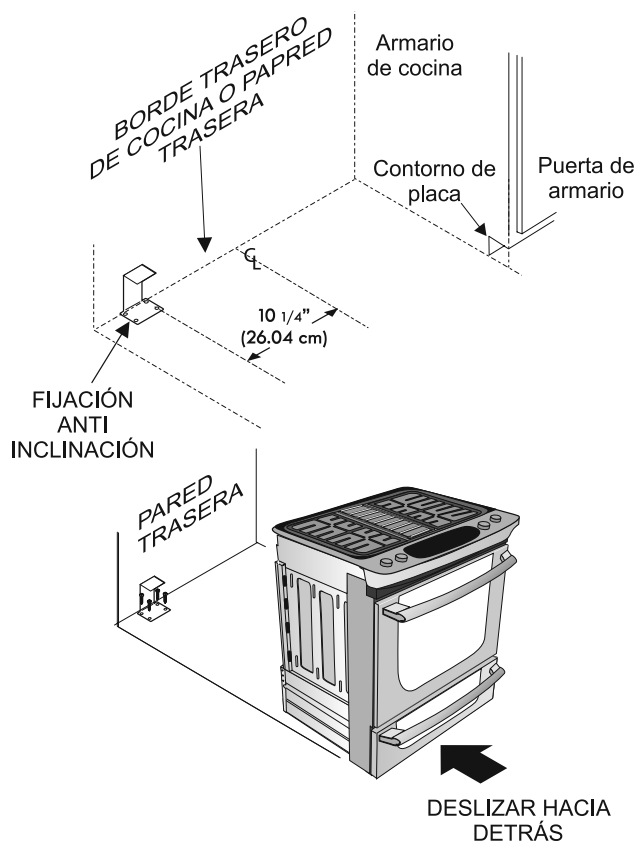


Figura 6

1. Dibujar una línea central en el piso donde se instalará la cocina. Si no hay pared posterior, dibujar otra línea en el piso que corresponda a la parte posterior de la cocina.
2. Desplegar el molde de papel y colocarlo alisado sobre el piso con el vértice posterior derecho posicionado exactamente en la intersección de las líneas central y posterior dibujadas anteriormente. (Si no se dispone de un molde, usar el diagrama incluido a continuación para ubicar las ménsulas (Figura 6)).
3. Marque en el suelo la ubicación de los cuatro orificios de montaje que aparecen en el modelo. Para facilitar la instalación se pueden hacer en el suelo orificios pilotos de 3/16" (0,48 cm) de diámetro de 1/2" (1,27 cm) de profundidad.
4. Retire el modelo y ubique la abrazadera en el suelo. Alinee los orificios en la abrazadera con las marcas en el suelo y ajuste con los cuatro tornillos provistos. La abrazadera debe quedar fijada al suelo (Figura 7) sólido. Si se fija al suelo concreto, primero haga orificios pilotos de un diámetro de 3/16" (0,48 cm), utilizando una barrena para concreto.
5. Asegúrese que las 4 patas de nivelación están en la más alta posición posible.
6. Deslice la cocina hacia su lugar asegurándose que la pata de centro trasera está completamente segura con el soporte anti-inclinación (Figura 7). Baje la cocina ajustando las 4 patas de nivelación hasta que la plancha de cocinar está apoyada en el mostrador. Refiere a la "Nivelación de la cocina".
7. Después de haber realizado la instalación verifique que la fijación anti-inclinación está empotrada. Usted también puede asir el borde trasero de la cima de la estufa y cuidadosamente intentar voltearla para asegurarse de que la estufa sea adecuadamente anclada.

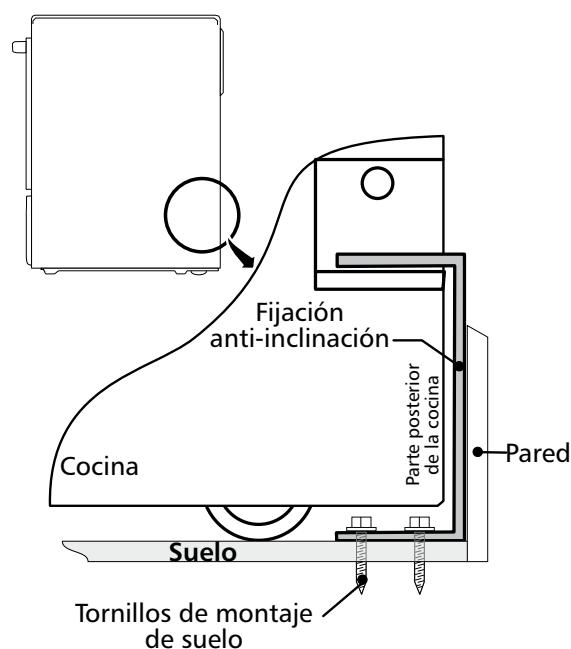


Figura 7

INSTRUCCIONES DE INSTALACIÓN DE COCINAS DE GAS DE 30"

(Modelos con quemadores sellados)

8.2 Instrucción para la instalación de las fijaciones de anti-inclinación

⚠ ADVERTENCIA Para reducir el riesgo de inclinación de la cocina, ésta debe ser asegurada hacia el piso con las fijaciones de anti-inclinación y los tornillos que vienen con la cocina. Si no instala las fijaciones, corre el riesgo que su cocina pueda inclinarse si pone demasiado peso sobre la puerta abierta o si un niño sube sobre ésta. Esto podría ocasionar graves causadas por derrames de líquidos calientes o por la propia cocina.

Si la cocina es trasladada a otro lugar, las fijaciones de anti-inclinación deben también ser trasladadas y instaladas con la cocina.

Las instrucciones provistas sirven para instalación en suelo de madera o concreto. Al fijar los tornillos al suelo, asegúrese que no atraviesen la instalación eléctrica, la línea de gas o de fontanería.

A. Localice la fijación usando el papel modelo -

Localice la posición de la fijación colocando la plantilla simétricamente a la línea central de la apertura. El soporte antivuelco puede instalarse en el lado izquierdo o derecho en la parte posterior de la estufa. Marque la ubicación de los agujeros de tornillos como se muestra en el papel.

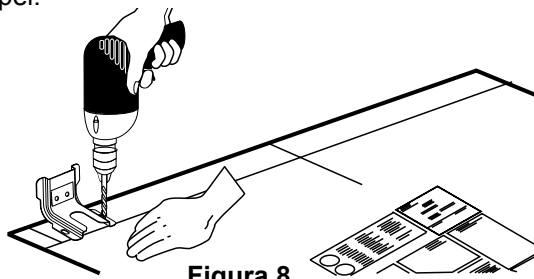


Figura 8

B. Perforación de agujeros piloto y montura de sujeción -

Perfore un agujero piloto de 1/8" en el lugar en el que se vayan a instalar los tornillos. Si la montura se va a instalar a en la pared, practique un agujero piloto con una inclinación aproximada de 20° hacia abajo. Si la montura se va a instalar sobre hormigón para suelos cerámicos, practique un agujero de 3/16" con una profundidad de 1-3/4". Los tornillos que se suministran pueden utilizarse en hormigón o madera. Para fijar la montura en su sitio, utilice un destornillador de cabeza plana o una llave para apretar tuercas de 5/16".

MONTURA DE SUJECCIÓN (MONTAJE EN PARED O SUELO)

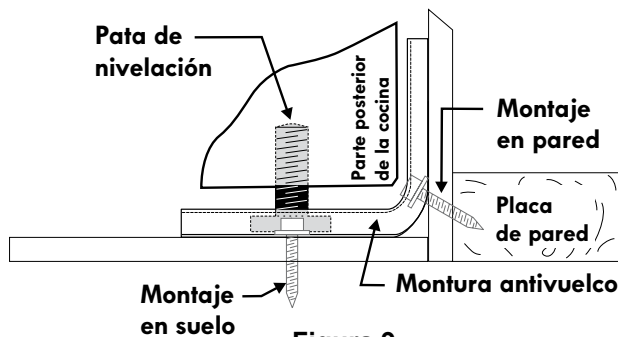


Figura 9

C. Nivele la cocina y coloque la cocina en su lugar. -

Deslice la estufa a su lugar. Coloque la pata niveladora dentro de la fijación de anti-inclinación. Verifique visualmente que las fijaciones de anti-inclinación estén correctamente enganchados (anclados). Nivele la cocina. Nivele la estufa si es necesario, ajustando las 4 patas niveladoras con una llave ajustable. Para verificar que la cocina está nivelada coloque un nivel en las parrillas interior del horno. Tome mínimo 2 lecturas con el nivel, coloque el nivel en diagonal para que la cocina esté nivelada de atrás hacia adelante, si es necesario ajuste las patas niveladoras.

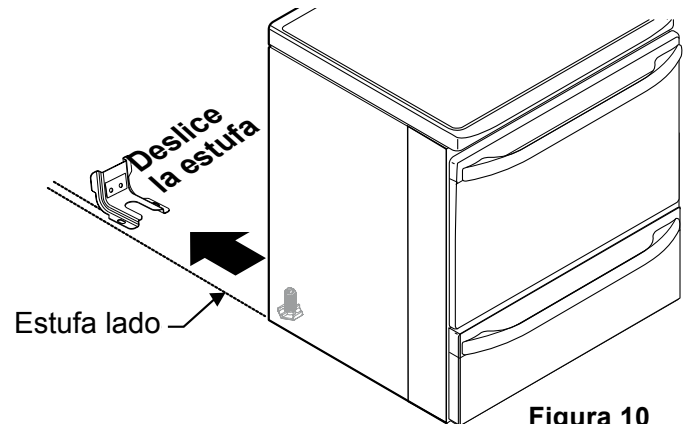


Figura 10

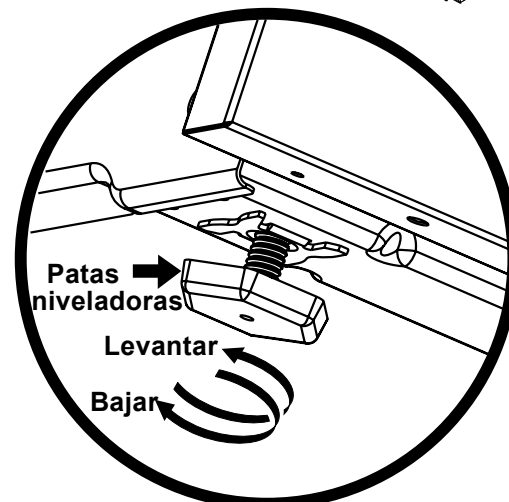


Figura 11

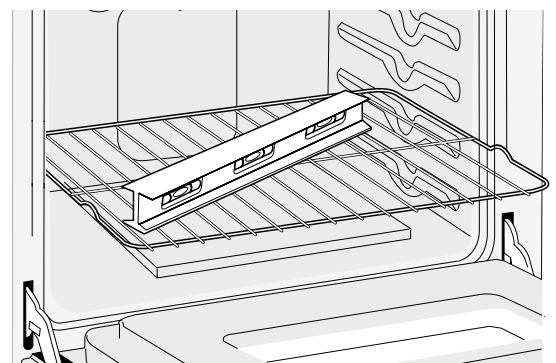


Figura 12

INSTRUCCIONES DE INSTALACIÓN DE COCINAS DE GAS DE 30"

(Modelos con quemadores sellados)

9. Instalación de la estufa

Nota importante: No es necesario, pero sí es conveniente, quitar la puerta para instalar el horno. Consulte las instrucciones para retirar la puerta en la Guía de Uso y Cuidado.

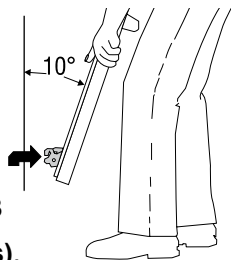


Figura 13

Instalación sin panel(es) lateral(es).

- 9.1** La plancha de cocinar se sobrepone por encima del mostrador con sus extremidades y la cocina reposa sobre el suelo. La plancha de cocinar es 31½" (80 cm) de ancho.
- 9.2** Instale la base de los armarios a 30" (76,2 cm) de espacio entre ellas. Asegúrese que estos están verticales y alineados antes de instalar la plancha de cocinar. Lije el borde del mostrador para obtener las 31½" (80 cm) en la parte superior del mostrador.
- 9.3** Instale las puertas del armario a 32" (81,3 cm) de espacio entre ellas para que no interfieran con la abertura de la puerta de la cocina.
- 9.4** Corte el mostrador exactamente como en la página 19.

Para los modelos equipado con un sistema de dispositivo de nivelación:

- 9.5** Asegúrese que el frente de las patas niveladoras y el dispositivo de nivelación posterior estén ajustados mas altos que la altura del gabinete.
- 9.6** Quite y deshágase de las dos patas ajustables traseras, solo sirven para sostener la unidad durante el transporte.
- 9.7** **⚠ PRECAUCION** Instale el soporte anti-inclinación de acuerdo a las instrucciones del patrón anti-inclinación (si no lo tiene vea la página 27).
- 9.8** Para una instalación óptima, la superficie superior de la cubierta debe estar nivelada y ser plana (sobre el mismo plano) en los 3 lados adyacentes a la cocina. Se deben hacer los ajustes correspondientes para hacer que la parte superior quede plana, de lo contrario podrán quedar espacios entre la cubierta y la cocina.
- 9.9** **⚠ PRECAUCION** Para reducir el riesgo de dañar su artefacto, no lo manipule cerca del vidrio cerámico. Manipúlelo con cuidado.
- 9.10** Coloque la cocina enfrente de la abertura del armario.
- 9.11** Asegúrese de que el vidrio que está colgado sobre la cubierta deje despejada la cubierta. Si es necesario, levante la unidad bajando las patas de nivelación.
- 9.12** Deslice la unidad hacia el gabinete y central antes de nivelarla.
- 9.13** **Nivele la cocina** (vea Nivelación de la estufa). El piso donde se instala la cocina debe estar nivelado. Siga las instrucciones "nivelación de la estufa- modelos equipado con un sistema de dispositivo de nivelación").

- 9.14** Ajuste a las patas de nivelación de manera que la parte de abajo de la plancha de cocinar está apoyada contra el mostrador. Atornille con cuidado en la pata de nivelación trasera hasta que el vidrio que está colgado toque levemente la cubierta. El vidrio debe soportar el peso de la unidad. Luego, atornille con cuidado en las dos patas de nivelación anteriores (igual a 15) hasta que el vidrio que está colgado toque levemente la cubierta.

Para los modelos equipado con las patas niveladoras:

- 9.5** Asegúrese que el frente de las patas niveladoras y el dispositivo de nivelación posterior estén ajustados mas altos que la altura del gabinete.
- 9.6** **⚠ PRECAUCION** Instale el soporte anti-inclinación de acuerdo a las instrucciones del patrón anti-inclinación (si no lo tiene vea la página 25).
- 9.7** Para una instalación óptima, la superficie superior de la cubierta debe estar nivelada y ser plana (sobre el mismo plano) en los 3 lados adyacentes a la c. Se deben hacer los ajustes correspondientes para hacer que la parte superior quede plana, de lo contrario podrán quedar espacios entre la cubierta y la cocina.
- 9.8** **⚠ PRECAUCION** Para reducir el riesgo de dañar su artefacto, no lo manipule cerca del vidrio cerámico. Manipúlelo con cuidado.
- 9.9** Coloque la cocina enfrente de la abertura del armario.
- 9.10** Asegúrese de que el vidrio que está colgado sobre la cubierta deje despejada la cubierta. Si es necesario, levante la unidad bajando las patas de nivelación.
- 9.11** **Nivele la cocina** (vea Nivelación de la estufa). El piso donde se instala la cocina debe estar nivelado. Siga las instrucciones "nivelación de la estufa- modelos equipado con las patas niveladoras".
- 9.12** Deslice la estufa en la abertura.

IMPORTANTE Si se necesitan los accesorio

Instalación con el repuesto

La profundidad del corte de (21 3/4" (55,2 cm) Min., 22 1/8" (56,2 cm) Max.) necesita ser aumentada a 24" (61 cm) cuando instala el repuesto.

Instalación de una moldura trasero.

La moldura trasera puede ser pedida con su representante de servicio.

Instalación con Paneles Laterales Llenos

Los Paneles Laterales puede ser pedidos con su representante de servicio.

Instale las puertas de los armarios a 32" (81,3 cm) de espacio entre ellas para que no interfieran con la abertura de la puerta de la cocina.

INSTRUCCIONES DE INSTALACIÓN DE COCINAS DE GAS DE 30"

(Modelos con quemadores sellados)

10. Nivelación de la estufa

10.1 Para los modelos equipado con un sistema de dispositivo de nivelación.

Nivele la cocina después de haberla instalado en la abertura del mostrador.

1. Abra la gaveta. Los tornillos de nivelación controlar la altura de las patas traseras.
2. Baje el aparato, las patas de nivelación alternadamente, hasta que la parte baja de la superficie de cocción repose sobre el mostrador (figura 14).
 - a. Para ajustar las patas delanteras, use un llave pinza para sujetar la base de la pata y dar vuelta (manecillas del reloj) para bajar el nivel o al contrario para levantar el nivel.
 - b. Quite las patas traseras utilizando una llave inglesa en la base y girando en contra de las manecillas del reloj hasta que se salgan las patas de la unidad. Puede deshacerse de esas patas pues solo sirven para sujetar la unidad durante el transporte.
 - c. Para ajustar las patas traseras, use desarmador y dar vuelta (manecillas del reloj) a los tornillos de nivelación para levantar el nivel o al contrario para bajar el nivel.
3. Verifique si la cocina está nivelada colocando una parrilla en el centro del horno y poniendo un nivel sobre esta (figura 15).
4. Mida dos veces con el nivel en posición diagonal en una dirección y luego en otra. Nivele la cocina si es necesario ajustando las patas de nivelación.
5. Si al cocina no se nivela, asegúrese que el piso este nivelado o contactar a un carpintero para nivelar.

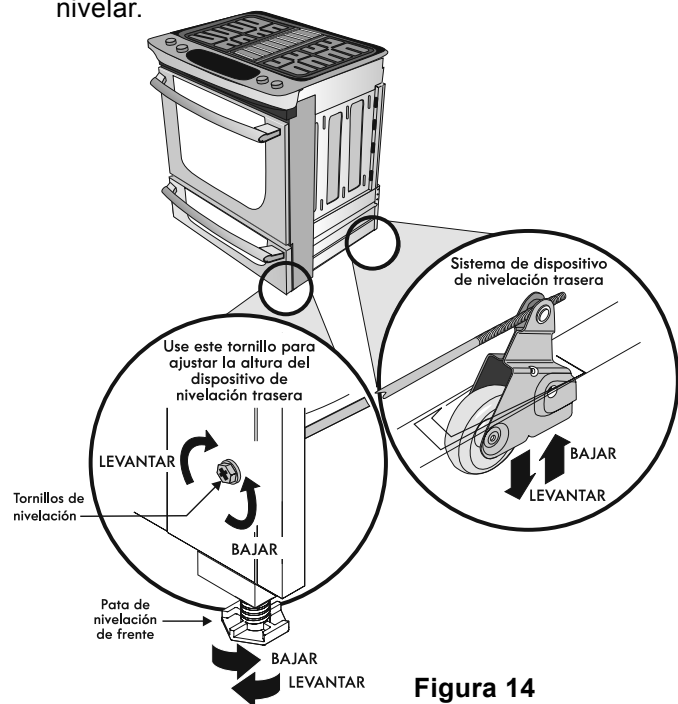


Figura 14

10.2 Para los modelos equipado con las patas niveladoras.

Nivele la estufa y ajuste la altura de la estufa antes de instalarla en la abertura.

1. Coloque una parrilla del horno en el centro del horno.
2. Ponga un nivel sobre la parrilla (figura 15). Tome dos lecturas con el nivel puesto diagonalmente en una dirección y después en la otra. Nivele la estufa, si es necesario, ajustando las 4 patas niveladoras con una llave de tuercas (figura 11).
3. Asegúrese de no dañar al mostrador, deslice la estufa dentro de la abertura del hueco y vuelva a verificar a la nivelación.

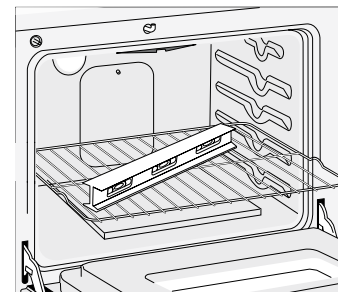


Figura 15

11. Instalación de Accesorio Decorativo Trasero (si se requiere)

1. Desconecte la alimentación del aparato.
2. Asegúrese de que el aparato esté nivelado.
3. Tire la cocina hacia usted.
4. Tome la distancia entre el piso y la superficie debajo del marco de la parte superior de la cocina.
5. Marque la distancia sobre la pared donde instalará el accesorio decorativo.
6. Dibuje una línea.
7. Coloque la parte superior del accesorio decorativo debajo de esa línea.
8. Utilizando los tornillos provistos con este juego, fije el accesorio decorativo a la pared.
9. Deslice el aparato hacia atrás hasta que quede en la posición deseada y encienda la alimentación.

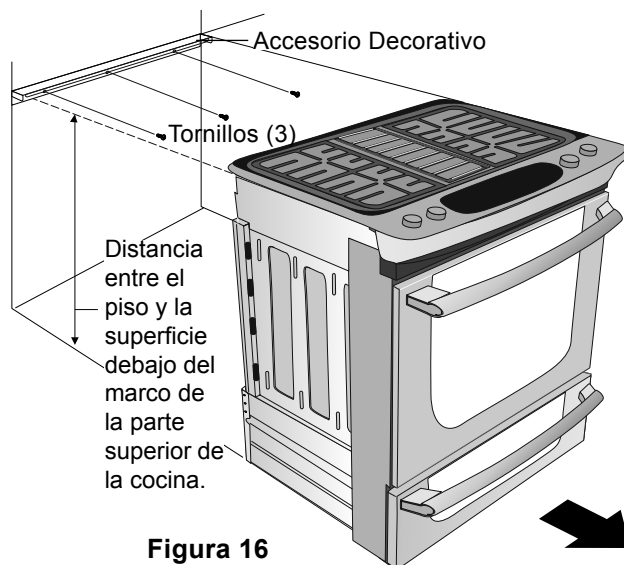


Figura 16

INSTRUCCIONES DE INSTALACIÓN DE COCINAS DE GAS DE 30"

(Modelos con quemadores sellados)

12. Comprobación del funcionamiento

Consulte el Manual del Usuario incluido con la estufa para instrucciones de operación y instrucciones para el cuidado y limpieza de su estufa.

Quite todo el embalaje de la unidad antes de comprobarla.

12.1 Verifique la colocación de la tapa del quemador

Quemadores regulares

Es **muy importante** asegurarse de que todas las tapas y rejillas de los quemadores superiores estén debidamente instaladas y en sus ubicaciones correctas **antes** de utilizar el electrodoméstico. Tenga en cuenta que las cabezas de los quemadores están fijadas a la cubierta. **La cubierta no se puede desinstalar.** No intente retirar o levantar la cubierta.

⚠ ADVERTENCIA Para evitar llamaradas y evitar la generación de vapores nocivos, **no** use la cubierta sin todas las tapas de los quemadores debidamente instaladas. Si están todas instaladas correctamente, asegure el encendido adecuado y el tamaño correcto de las llamas.

Siempre mantenga las tapas y las cabezas de los quemadores en su lugar cuando los quemadores estén en uso. **No permita que se introduzcan en los agujeros de soporte del orificio de los quemadores a gas derrames, alimentos, agentes de limpieza o cualquier otro material.**

Asegúrese de que el tamaño de cada tapa de quemador concuerde con el tamaño de la cabeza del quemador. Asegúrese de que todas las tapas redondas de los quemadores estén colocadas correctamente en su lugar en las cabezas **redondas** de los quemadores.

Asegúrese de que todas las tapas **ovaladas** de los quemadores estén colocados correctamente en su lugar en las cabezas ovaladas de los quemadores (si vienen equipados). Asegúrese de que todas las tapas **dobles** de los quemadores estén colocados correctamente en su lugar en las cabezas dobles de los quemadores (si vienen equipados).

En los quemadores redondos, el reborde de la tapa del quemador (vea la figura 17) deben calzar de manera ajustada en el centro de la cabeza del quemador y quedar nivelada. Consulte las figuras 18 y 19 para conocer las maneras correctas e incorrectas de colocar la tapa del quemador. Una vez en su lugar, puede verificar si cabe deslizando suavemente la tapa del quemador de lado a lado (Fig. 20) para asegurarse de que este centrada y firmemente asentada. Cuando el reborde de la tapa del quemador haga contacto en

el centro de la cabeza del quemador, podría escuchar el contacto entre la tapa y la cabeza del quemador. Tenga en cuenta que la tapa del quemador **NO** se debe mover del centro de la cabeza del quemador cuando intente moverla de lado a lado.

Quemador de llama doble (si esta equipada)

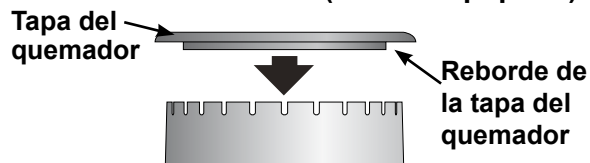


Fig. 17

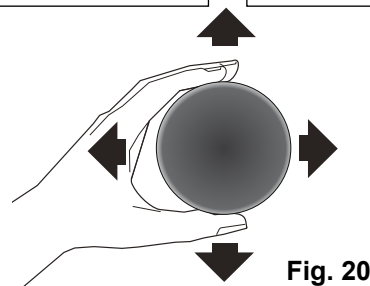
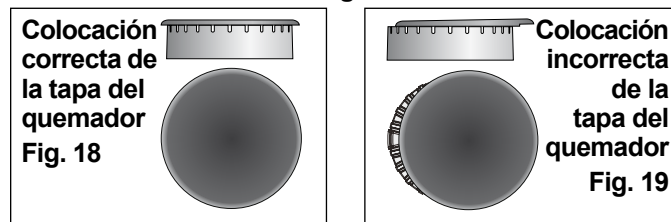


Fig. 20

Remueva todas las cintas de los quemadores. Remueva la tapa del quemador. Asegúrese que las tapas del quemador están bien puesta antes de utilizar la unidad.

Nota: No se necesitan ajustes de quemador en esta unidad.

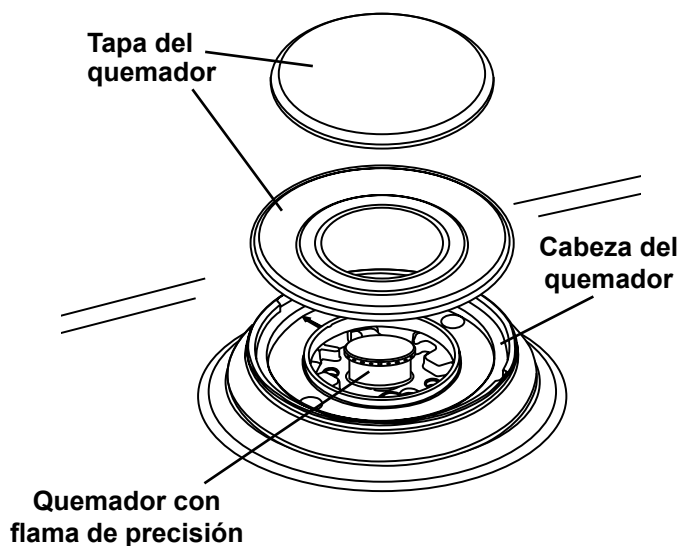


Figura 21

INSTRUCCIONES DE INSTALACIÓN DE COCINAS DE GAS DE 30"

(Modelos con quemadores sellados)

12.2 Enciende la corriente eléctrica y abre la válvula principal de cierre.

12.3 Verifique el encendido de los quemadores superiores

El funcionamiento de los encendedores eléctricos debe verificarse después de que se hayan controlado atentamente los conectores de la línea de suministro y de la estufa en busca de escapes, y de que la estufa haya sido conectada al suministro eléctrico.

- Para verificar el encendido adecuado, **presione y gire** la perilla de un quemador superior **a la izquierda** hasta la posición **LITE** (encender). Escuchara el encendedor emitiendo chispas.
- El quemador superior se encenderá cuando el gas llegue al quemador. Ceba el sistema de las tuberías de suministro dejando la perilla en la posición **LITE** (encendido) hasta que el quemador se encienda. Cada quemador debe encenderse a los cuatro (4) segundos de funcionamiento normal después de que el aire haya sido cebado de las tuberías de suministro.
- Verifique visualmente que el quemador se haya encendido. Una vez que el quemador se encienda, gire la perilla para retirarla de la posición **LITE** (encendido).
- Pruebe cada perilla por separado hasta que se hayan verificado todos los quemadores superiores. Cada ubicación de los quemadores viene equipada con un electrodo separado.

12.4 Programe el ajuste **BAJO** de las válvulas de los quemadores superiores (flujo en línea)

Pruebe el ajuste LOW (bajo) para comprobar si debe ser ajustado:

- Oprima la perilla hacia adentro y gírela a la posición **LITE** (encender) hasta que el quemador se encienda.
- Oprima la perilla hacia adentro y rápidamente gírela al ajuste mínimo.
- Si el quemador se apaga, gire la perilla a la posición **OFF** (apagado).
- Retire la perilla del quemador superior.
- Introduzca un destornillador delgado en la varilla hueca de la válvula y ajústelo sobre el tornillo que se encuentra adentro. El tamaño de la llama se puede aumentar o reducir girando el tornillo. Gire el tornillo a la izquierda para aumentar el tamaño de la llama. Gire el tornillo a la derecha para reducir el tamaño de la llama (vea las figura 22).

Ajuste la llama hasta que pueda girar la perilla rápidamente desde la posición **LITE** (encender) hasta el ajuste mínimo sin que se apague la llama. La llama debe ser lo mas pequeña posible sin que se apague.

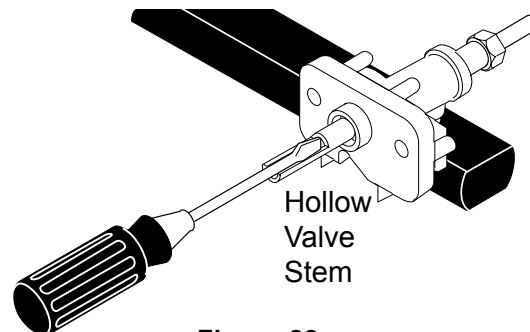


Figure 22

12.5 Operación de Quemadores del Horno y Ajustes de Horno

12.5.1 Quemadores de ignición eléctrica

La operación de los encendedores eléctricos debe de ser revisada después de que la cocina y los conectores de la línea de suministro haya sido cuidadosamente revisada para descartar fugas y que la cocina haya sido conectada a la corriente eléctrica.

El quemador del horno está equipado con un sistema de control eléctrico así como un encendedor de quemador de horno eléctrico. Si su modelo esta equipado con un quemador de asado central superior, también contará con un encendedor de quemador eléctrico. Estos sistemas de control no requieren ajustes. Cuando el horno esta configurado para operar, la corriente fluirá hacia el encendedor y tendrá un

INSTRUCCIONES DE INSTALACIÓN DE COCINAS DE GAS DE 30"

(Modelos con quemadores sellados)

resplandor de manera similar a una bombilla de luz. Cuando el encendedor alcanza una temperatura suficiente para encender el gas, la válvula del horno controlada eléctricamente se abrirá y el fuego aparecerá en el quemador del horno. Hay un lapso de tiempo de 30 a 60 segundos después de que el termostato se enciende y antes de que la llama aparezca en el quemador del horno. Cuando el horno alcanza la configuración del dial, el encendedor resplandeciente se apagará. La llama del quemador desaparecerá por 20 a 30 segundos después de que el encendedor se apaga. Para mantener cualquier temperatura de horno dada, este ciclo continuará tanto como el dial (o visualizador) esté configurado para operar.

Después de retirar todos los materiales del empaque y la literatura del horno:

- Fije el horno en HORNEAR (BAKE) a 300°F. Vea la guía de Uso y Cuidado para conocer las instrucciones de funcionamiento.
- En 60 segundos el quemador del horno se encenderá. Revise que exista un fuego adecuado, y permita que el quemador cumpla su ciclo una vez. Gire los controladores hacia off (APAGADO).
- Si su modelo está equipado con un asador central superior, fije el horno en ASAR. Vea la Guía de Uso y Cuidado para conocer las instrucciones de funcionamiento.
- En 60 segundos el quemador de asar debe de encenderse. Revise si exista una llama adecuada. Gire los controles hacia off (APAGADO).

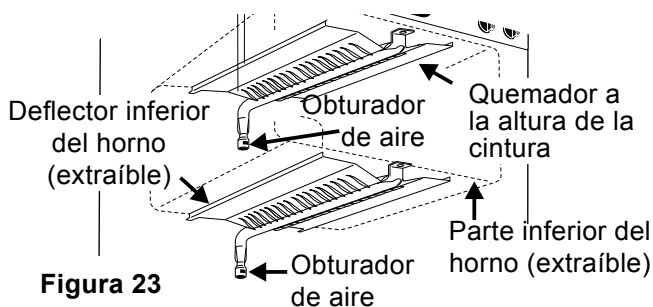


Figura 23

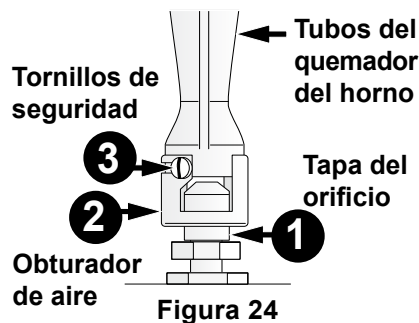
12.5.2 Obturador del Aire - Quemador del horno

La longitud aproximada de la llama del quemador del horno es 1 pulgada (interior claro, llama azul). Para determinar si la llama del quemador de horno es la adecuada, retire el fondo del horno y el deflector del quemador y fije el horno en la opción hornear a 300°F.

Para retirar el fondo del horno, retire los tornillos de ajuste del horno en la parte posterior del fondo del horno. Jale hacia arriba, desenganche el frente del fondo del marco anterior del horno, y jale la base hacia afuera de éste. Retire el deflector del quemador de manera que la llama del quemador pueda ser observada.

Si la llama es de color amarillo, aumente el tamaño de la abertura del obturador de aire (Vea el tamaño "2" en el figura 24). Si la llama es de azul claro, reduzca el tamaño de la abertura del obturador de aire.

Para ajustar un tornillo de cierre flojo (Vea el tamaño "3" en el figura 24), vuelva a colocar el obturador de aire, y ajuste el tornillo de cierre. Reemplace el fondo del horno.



12.5.3 Obturador de aire - Quemador de asado

La longitud aproximada de la llama del quemador de asado es 1 pulgada (interior claro, llama azul). Para determinar si la llama del quemador de asado es la adecuada, poner el horno en la opción asar. Si la llama es de color amarillo, aumente el tamaño de la abertura del obturador de aire (Vea el tamaño "2" en el figura 24). Si la llama es de azul claro, reduzca el tamaño de la abertura del obturador de aire (Vea el tamaño "3" en el figura 24), y ajuste el tornillo de cierre.

Después de Terminar la Instalación

Asegúrese de que todos los controles estén en la posición OFF (apagada).

Asegúrese de que el flujo del aire de combustión y de ventilación a la estufa no esté obstruido.

Ubicación del Número de Modelo y de Serie

La placa con el número de serie está ubicada en el marco delantero del horno detrás de la puerta del horno (algunos modelos) o detrás del cajón (algunos modelos).

Cuando haga pedidos de repuestos o solicite información con respecto a su estufa, esté siempre seguro de incluir el número de modelo y de serie y el número o letra del lote de la placa de serie de su estufa.

La placa con el número de serie también le da la potencia nominal de los quemadores, el tipo de combustible y la presión a la cual fue ajustada la estufa en la fábrica.

Antes de Llamar al Servicio

Lea la sección Evite Llamadas de Servicio en su Manual del Usuario. Esto le podrá ahorrar tiempo y gastos. Esta lista incluye ocurrencias comunes que no son el resultado de defectos de materiales o fabricación de este artefacto.

Refiere a el guío Uso y Cuido para los numeros de teléfono del Servicio.

INSTRUCTIONS D'INSTALLATION POUR CUISINIÈRE ENCASTRABLE DE 30" À GAZ

UN INSTALLATEUR QUALIFIÉ DOIT EFFECTUER L'INSTALLATION ET LE SERVICE IMPORTANT: CONSERVEZ CES INSTRUCTIONS POUR LES INSPECTEURS LOCAUX. LISEZ CES INSTRUCTIONS ET CONSERVEZ-LES POUR RÉFÉRENCES ULTÉRIEURES.

Etats-Unis



Canada



Reférez-vous à la plaque de série pour connaître l'agence applicable

AVERTISSEMENT Si les instructions de ce manuel ne sont pas suivies à la lettre, il pourrait en résulter un incendie ou une explosion susceptible de causer des dommages matériels, des blessures ou même la mort.

POUR VOTRE SÉCURITÉ:

- N'entreposez et n'utilisez pas d'essence ou d'autres produits inflammables à proximité de cet appareil ou de tout autre appareil.
- **QUE FAIRE SI VOUS DÉCELEZ UNE ODEUR DE GAZ:**
 - Ne tentez d'allumer aucun appareil.
 - N'actionnez aucun interrupteur électrique; n'utilisez aucun appareil téléphonique de l'édifice.
 - Communiquez immédiatement avec votre fournisseur de gaz en vous servant du téléphone d'un voisin. Suivez les instructions que le fournisseur vous donnera.
 - S'il vous est impossible de rejoindre votre distributeur de gaz, communiquez avec le service d'incendie.
- L'installation et l'entretien doivent être effectués par un installateur qualifié, un service d'entretien ou de réparation accrédité ou le distributeur de gaz.

Table des matières

Instructions de sécurité importantes.....	32-33	Installation du support anti-bascule.....	40-41
Dimensions du produit & du comptoir.....	33-34	Installation de la cuisinière.....	42
Pour éviter les bris.....	35	Mise à niveau de la cuisinière.....	43
Avant de commencer.....	36	Installation de la moulure décorative arrière (si nécessaire).....	43
Construction de l'armoire.....	36-37	Vérification du fonctionnement.....	44-46
Alimentation en gaz - Installation.....	37	Lorsque tous les raccords sont terminés.....	46
Scellez les ouvertures.....	37	Emplacement des numéros de modèle et de série.....	46
Branchez le gaz à la cuisinière.....	37-38	Avant d'appeler le service.....	46
Conversion au gaz propane.....	38	Notes.....	47-48
Branchez le courant électrique à la cuisinière.....	39		

Notes importantes à l'installateur

1. Lisez toutes les instructions contenues dans ce feuillet avant d'installer la cuisinière.
2. Enlevez tout le matériel d'emballage des compartiments du four et du tiroir avant de brancher l'alimentation électrique et gaz à la cuisinière.
3. Respectez tous les codes et règlements applicables.
4. N'oubliez pas de laisser ces instructions au consommateur.
5. Note: Pour utilisation de l'appareil à 2000 pieds au-dessus du niveau de la mer, la puissance des brûleurs doit être réduite de 4% pour chaque 1000 pieds supplémentaires.

Note importante au consommateur

Conservez ces instructions avec le guide de l'utilisateur pour référence future.

Appareils électroménagers installés dans l'état du Massachusetts:

Cet appareil peut être installé dans l'état du Massachusetts par un plombier ou un monteur d'installation au gaz titulaire d'un permis.

Un connecteur à gaz flexible de 3 pieds / 36 pouces doit être utilisé pour installer cet appareil.

Une valve à gaz possédant une poignée en "T" doit être installée à la ligne de gaz reliée à cet appareil.

ATTENTION Des températures trop basses peuvent endommager le contrôleur électronique de l'appareil. Au cours de la première utilisation ou lorsque l'appareil n'a pas été utilisé pendant un certain temps, assurez-vous qu'il a été exposé à des températures au dessus de 32°F (0°C) pendant une durée supérieure à 3 heures avant de le mettre en marche.

INSTRUCTIONS DE SÉCURITÉ IMPORTANTES

Ce guide contient des instructions et symboles de sécurité importants. Veuillez faire particulièrement attention à ces symboles et suivre les instructions données.

⚠ AVERTISSEMENT Ce symbole vous prévient des situations qui risquent d'entraîner de graves blessures, la mort ou des dommages matériels.

⚠ ATTENTION Ce symbole vous prévient des situations pouvant entraîner des blessures ou dommages matériels.

Cette cuisinière doit être installée conformément aux règlements locaux, ou en leurs absences, aux normes ANSI Z223.1/NFPA .54- dernière édition.

La conception de cette cuisinière a été approuvée par CSA international. Il faut prendre certaines précautions d'usage lors de l'utilisation de tout appareil fonctionnant au gaz naturel ou produisant de la chaleur. Vous trouverez celles-ci dans votre Guide d'utilisateur, lisez-les avec attention.


- **Assurez-vous que votre cuisinière est correctement installée et mise à la terre par un installateur ou un technicien d'entretien qualifié.**
- **Le circuit électrique de cette cuisinière doit être mis à la terre conformément aux règlements locaux, ou en leurs absences, au code électrique ANSI/NFPA No.70- dernière édition.** Voir les instructions de mise à la terre.
- **Les rideaux d'air ou les hottes de cuisinières qui projettent un courant d'air descendant vers la table de cuisson, ne doivent pas être utilisés avec des appareils à gaz, sauf si la hotte et l'appareil ont été conçus, testés et répertoriés par un laboratoire d'essai indépendant pour pouvoir fonctionner conjointement.**
- **Avant d'installer la cuisinière à un endroit recouvert de linoléum ou de tout autre couvre-plancher synthétique, assurez-vous que celui-ci peut résister à un minimum de 90°F (32.2°C) de chaleur au-dessus de la température de la pièce sans se rapetisser, se déformer ou se décolorer.** N'installez pas la cuisinière sur un tapis, à moins de placer un tampon isolant ou une feuille de contreplaqué d'une épaisseur de ¼" (0.6 cm) entre la cuisinière et le tapis.
- **Assurez-vous que la tapisserie à proximité de l'appareil peut résister à la chaleur générée par celui-ci.**
- **Ne bloquez pas la circulation d'air à l'orifice de ventilation du four ni autour de la base ou sous le panneau inférieur avant de la cuisinière.** Évitez de toucher les ouvertures de l'orifice de ventilation ou les surfaces avoisinantes car elles risquent de devenir chaudes lorsque le four fonctionne. Les brûleurs ont besoin d'air frais pour assurer une bonne combustion.


⚠ AVERTISSEMENT **Ne laissez jamais les enfants seuls ou sans surveillance près d'un appareil en fonctionnement.** Apprenez-leur à utiliser les appareils électroménagers de façon sécuritaire et appropriée. Ne laissez jamais la porte du four ouverte lorsque la cuisinière est sans surveillance.

⚠ AVERTISSEMENT **Le fait de monter sur les portes ou les tiroirs de cette cuisinière, de s'y appuyer ou de s'y asseoir peut occasionner des blessures graves, et endommager l'appareil.**

- **N'entrez pas d'objets susceptibles d'intéresser les enfants dans les armoires situées au-dessus de la cuisinière.** Ils risquent de se brûler sérieusement s'ils tentent de grimper sur l'appareil.
- **Évitez de placer des armoires de rangement au-dessus des brûleurs afin d'éliminer les gestes inutiles au-dessus de ceux-ci.**
- **Réglez la flamme du brûleur pour qu'elle ne dépasse pas le bord de l'ustensile utilisé pour la cuisson.** Une flamme excessive est dangereuse.
- **N'utilisez pas le four à des fins de rangement.** Ceci génère une situation éventuellement dangereuse.

⚠ AVERTISSEMENT Risque de basculement

- 
- Un enfant ou un adulte peut faire basculer la cuisinière et en décéder.
 - Vérifiez que le dispositif anti-renversement a été fixé au plancher ou au mur tel qu'indiqué dans les instructions d'installation.
 - Assurez-vous d'enclencher le dispositif anti-renversement lorsque la cuisinière est déplacée sur le plancher ou contre le mur.
 - Ne faites pas fonctionner la cuisinière si le dispositif anti-renversement n'est pas en place et enclenché.
 - Le non-respect de ces instructions peut causer des blessures fatales ou de graves brûlures aux enfants et aux adultes.



Pour vérifier si le support anti-renversement est correctement installé, attrapez le bord arrière de la cuisinière à deux mains. Essayez doucement de faire basculer la cuisinière vers l'avant. Lorsque le support est correctement installé, la cuisinière ne doit pas basculer vers l'avant.

INSTRUCTIONS D'INSTALLATION POUR CUISINIÈRE ENCASTRABLE DE 30" À GAZ (Modèles avec brûleurs fermés)

- **N'utilisez jamais votre cuisinière pour réchauffer ou chauffer la pièce.** L'utilisation prolongée de la cuisinière sans une ventilation adéquate peut s'avérer dangereuse.
- **Ne gardez pas de produits combustibles, d'essence et d'autres produits inflammables à proximité de cet appareil ou de tout autre appareil.** Il pourrait en résulter des explosions ou un incendie.
- Lors d'une panne de courant électrique, les brûleurs de surface peuvent être allumés manuellement; placez une allumette allumée près de la tête du brûleur et tournez lentement le bouton de commande de surface à la position LITE. Redoublez de prudence si vous allumez un brûleur de surface manuellement.
- **Remplacez toutes les commandes à la position arrêt "off"** après l'utilisation d'une fonction programmable chronométrée.

POUR LES MODÈLES MUNIS D'UN FOUR AUTONETTOYANT:

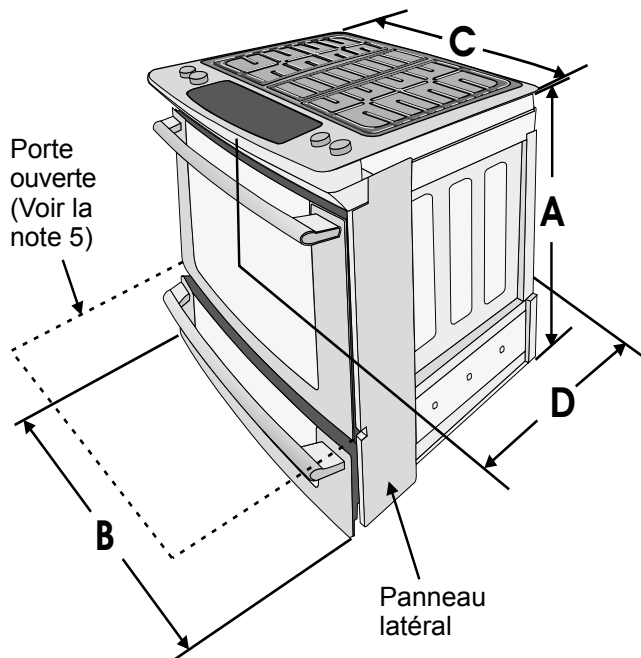
- **Enlevez la lèchefrite, les aliments et les autres ustensiles avant de programmer un cycle autonettoyant.** Essuyez tous les renversements excessifs. Suivez les instructions pour le pré-nettoyage dans le [Guide de l'utilisateur](#).
- **Comme sur les cuisinières standard à gaz, LA TABLE DE CUISSON DE CET APPAREIL N'EST PAS AMOVIBLE.** Ne tentez pas de l'enlever.

Dimensions de l'appareil

⚠ AVERTISSEMENT N'installez pas l'appareil dans le cabinet avant d'avoir lu les 2 pages qui suivent.

NOTES:

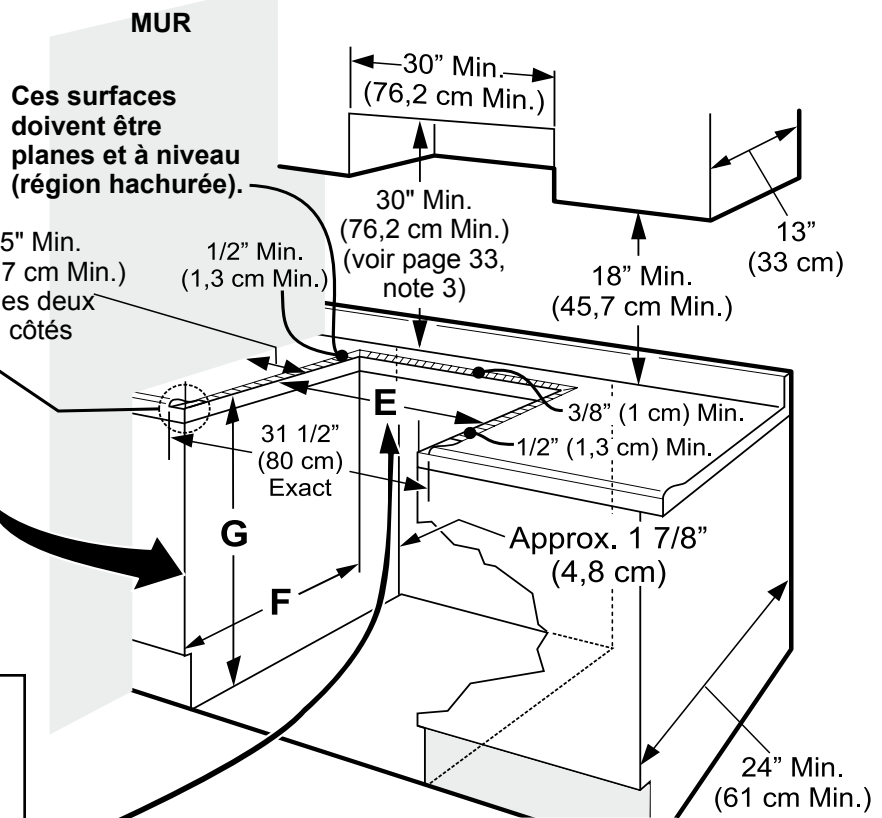
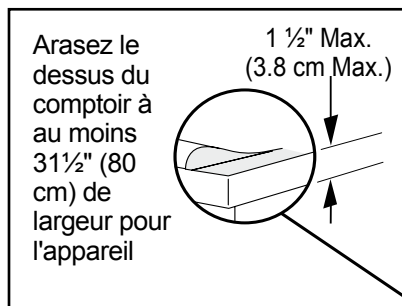
1. Ne coincez pas le cordon d'alimentation ou le conduit de gaz entre le mur et l'appareil.
2. Ne scellez pas l'appareil aux armoires latérales.
3. Dégagement minimum de 24" (61 cm) entre la plaque de cuisson et l'armoire du haut lorsque le dessous de l'armoire en bois ou en métal est protégé par un celloderme retardateur de flammes d'un minimum de 1/4" (0,64 cm) recouvert d'une feuille de métal MSG No. 28, d'acier inoxydable d'un minimum de 0,015" (0,4 mm), d'aluminium de 0,024" (0,6 mm) ou de cuivre de 0,020" (0,5 mm).
Dégagement minimum de 30" (76,2 cm) lorsque l'armoire n'est pas protégée.
4. Pour les ouvertures de moins de 22 7/8" (58,1 cm), l'appareil dépassera légèrement vers l'avant du comptoir.
5. Allouez au moins 19 1/4" (48,9 cm) d'espace pour permettre l'ouverture de la porte du four.



A. HAUTEUR (Sous la table de cuisson)	B. LARGEUR	C. LARGEUR DE LA TABLE DE CUISSON	D. PROFONDEUR À L'AVANT DE LA CUISINIÈRE	E. LARGEUR DE DÉCOUPAGE (comptoir & armoire)	F. PROFONDEUR DE DÉCOUPAGE	G. HAUTEUR DU DESSUS DU COMPTOIR
35 5/8" (90,5 cm) 36 5/8" (93 cm)	30" (76,2 cm)	31 1/2" (80 cm)	28 5/16" (71,9 cm)	30 ± 1/16" (76,2 ± 0,15 cm)	21 3/4" (55,2 cm) Min. 22 1/8" (56,2 cm) Max 24" (61cm) Min. avec dossier	36 5/8" (93 cm) Max. 35 7/8" (91,1 cm)

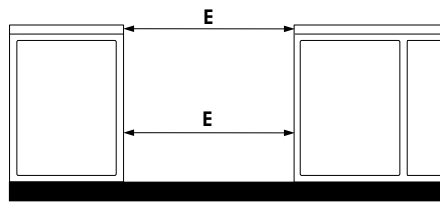
INSTRUCTIONS D'INSTALLATION POUR CUISINIÈRE ENCASTRABLE DE 30" À GAZ (Modèles avec brûleurs fermés)

Dimensions de l'armoire

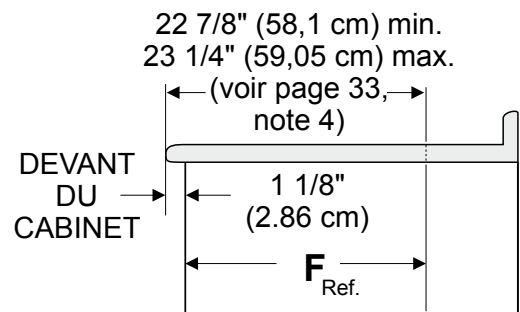


Installez les portes de l'armoire à au moins 1" (2,5 cm) de l'ouverture.

IMPORTANT: La largeur de l'armoire et celle du comptoir doivent correspondre à la largeur de découpage E.



***IMPORTANT:** Pour une largeur de découpage (dimension E) plus grande que 30 1/16" (76,4 cm) et pour éviter un bris de vitre, au moment d'insérer l'appareil dans le comptoir assurez-vous qu'il est bien centré dans l'ouverture. Levez les pattes de nivellement au maximum, insérez l'appareil dans le comptoir et ensuite nivelez-le. **Assurez-vous que l'appareil est bien supporté par les pattes de nivellement et non par la surface vitrifiée.**



A. HAUTEUR (Sous la table de cuisson)	B. LARGEUR	C. LARGEUR DE LA TABLE DE CUISSON	D. PROFONDEUR À L'AVANT DE LA CUISINIÈRE	E. LARGEUR DE DÉCOUPAGE* (comptoir & armoire)	F. PROFONDEUR DE DÉCOUPAGE	G. HAUTEUR DU DESSUS DU COMPTOIR
35 5/8" (90,5 cm) 36 5/8" (93 cm)	30" (76,2 cm)	31 1/2" (80 cm)	28 5/16" (71,9 cm)	30 ± 1/16" (76,2 ± 0,15 cm)	21 3/4" (55,2 cm) Min. 22 1/8" (56,2 cm) Max 24" (61cm) Min. avec dossier	36 5/8" (93 cm) Max. 35 7/8" (91,1 cm)

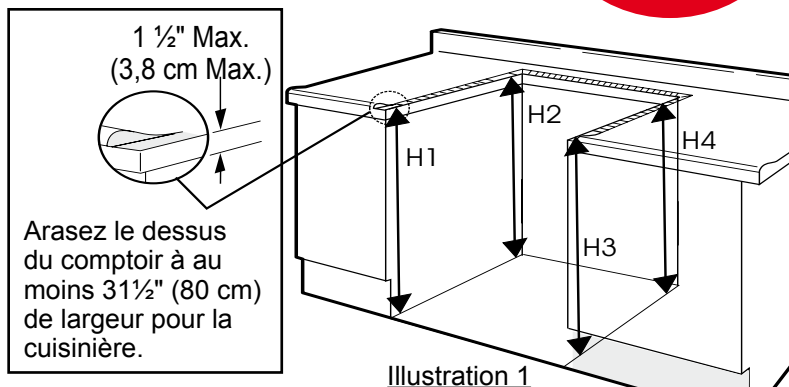
NOTE: Le schéma de câblage de l'appareil est inclus à la fin de ce feuillet.

Pour éviter les bris: NE déplacez ou manipulez PAS l'appareil par la surface de cuisson.

1. Le comptoir autour de l'ouverture de découpage de la table de cuisson doit être plat et à niveau (voir la partie hachurée sur l'illustration 1).
2. Avant d'installer l'appareil, mesurez la hauteur des deux (2) côtés du comptoir (H1-4), avant et arrière (voir l'illustration 1) du plancher jusqu'au dessus du comptoir.



3. Mettez l'appareil à niveau en utilisant les pattes de nivellement et le dispositif de nivellement (si présent) pour que la hauteur entre le plancher et le renfort de métal en dessous de la table de cuisson soit plus grande par 1/16" (0,16 cm) que la plus grande mesure H1-4 (voir l'illustration 2).

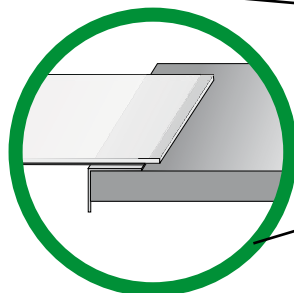
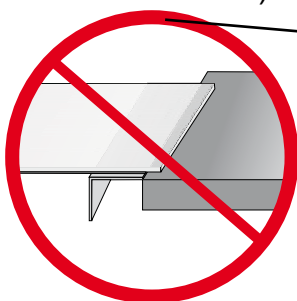
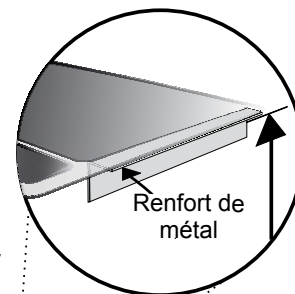


4. **Modèle muni d'un dispositif de nivellement:** Enlevez et jetez les deux pattes de nivellement arrière. Ces pattes sont présentes pour solidifier l'appareil lors du transport.

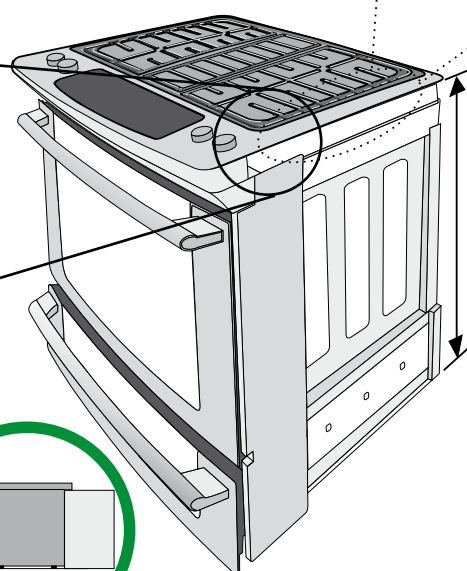
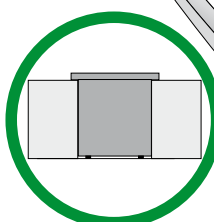
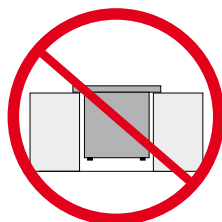
5. Glissez l'appareil dans le comptoir. Assurez-vous que le centre de l'appareil soit aligné avec le centre de l'ouverture du comptoir.

6. Enlevez les protecteur de chaque côté de la surface de cuisson (si présents).

7. Le renfort de métal en dessous de chaque côté de la table de cuisson **DOIT** reposer sur le comptoir pour que l'appareil soit bien supporté. La table de cuisson **NE** doit **PAS** toucher directement comptoir (voir l'illustration 2). Nivelez l'appareil si nécessaire.



8. Après l'installation, **ASSUREZ-VOUS** que l'appareil est soutenu par les quatre pattes de nivellement et **NON** par la table de cuisson.



Afin d'installer correctement la cuisinière, la hauteur initiale entre le plancher et le renfort de métal en dessous de la table de cuisson doit être au moins 1/16" (0,16 cm) plus grande que les dimensions du comptoir prises à l'étape 2.

Illustration 2

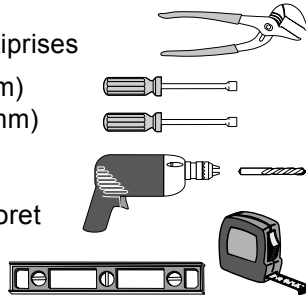
INSTRUCTIONS D'INSTALLATION POUR CUISINIÈRE ENCASTRABLE DE 30" À GAZ (Modèles avec brûleurs fermés)

Avant de commencer

Outils requis

Pour les pattes de nivellement et le support anti-bascule:

- Clé à molette ou pinces multiprises
- Tournevis à douille 1/4" (7mm)
- Tournevis à douille 3/8" (10mm)
- Perceuse & foret de 1/8" diamètre
(Si installer dans le béton, foret de maçonnerie de 5/32")
- Niveau & ruban à mesurer



Pour la connexion au gaz:

- Clé à tuyau
- Brosse

Pour l'ajustement de la flamme:

- Tournevis à tête Phillips et à tête plate

Pour la conversion du gaz (LP/Propane ou Naturel):

- Clé à fourches - 1/2"

Matériel supplémentaire:

- Valve d'arrêt pour la ligne de gaz
- Scellant à joints résistant au gaz propane
- Un nouveau conduit flexible pour appareil électroménager design certifié par CSA (1/2" NPT x 3/4" ou 1/2" I.D.). Étant donné que les tuyaux solides restreignent le déplacement de l'appareil, nous recommandons d'utiliser un conduit flexible (4 pieds de long) pour toute nouvelle installation et réinstallation.
- Utiliser toujours les adaptateurs (2) de 1/2" NPT x 3/4" or 1/2" I.D.) fournis avec le nouveau conduit flexible pour le branchement des appareils électroménagers.

1. Construction de l'armoire

1.1 MISE EN GARDE Pour éliminer les risques de brûlures ou de feu, en étendant le bras au-dessus des surfaces de cuisson chaudes, évitez d'installer des armoires au-dessus de ces dernières. Si vous devez en installer, il est possible de réduire le risque en plaçant une hotte pour cuisinière qui excède horizontalement d'un minimum de 5" (12,7 cm) la base de l'armoire.

1.2 Préparation du dessus de comptoir

- Les côtés de la table de cuisson de la cuisinière s'ajustent au-dessus du rebord du découpage du dessus de comptoir.
- Si vous avez un dessus de comptoir au fini carré (plat), il n'est pas nécessaire de préparer le dessus du comptoir.

- Les dessus de comptoir au rebord avant moulé doivent être aplanis de 3/4" (1,9 cm) à chaque coin avant de l'ouverture (Figure 1).
- Il est possible qu'il soit nécessaire d'araser de 3/4" (1,9 cm) les dessus de comptoir en mosaïque à chaque coin avant et/ou d'aplanir le rebord arrondi (Figure 1).

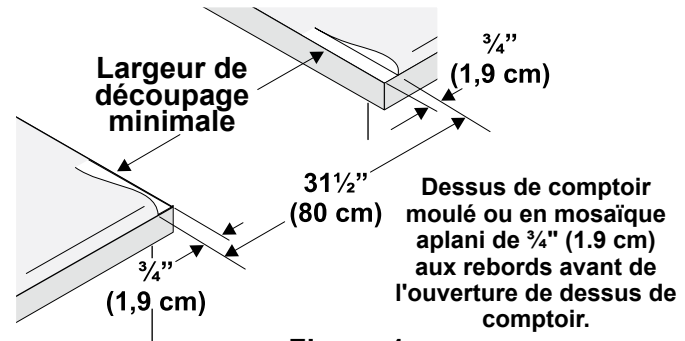


Figure 1

- Si la largeur de l'ouverture du dessus de comptoir est supérieure à la largeur minimale requise, ajustez en conséquence la dimension 3/4" (1,9 cm).
- Le dessus de comptoir doit être à niveau. Placez un niveau sur le dessus de comptoir, d'abord de chaque côté, et ensuite du devant à l'arrière. Si le dessus de comptoir n'est pas horizontal, la cuisinière ne le sera pas non plus. Le four doit être à l'horizontal pour obtenir des résultats de cuisson satisfaisants. Les côtés de la table de cuisson de la cuisinière s'ajustent au-dessus de l'angle du découpage du dessus de comptoir sans le toucher. Les côtés de la plaque de cuisson de la cuisinière s'ajustent au-dessus du rebord du découpage du dessus de comptoir.

1.3 Préparation de l'entrée de gaz et électrique

- La région hachurée indique l'emplacement que vous pouvez utiliser pour faire entrer la ligne de gaz (figure 2).
- La position recommandée pour l'entrée de la ligne de gaz est située à 7 1/4" (18,4 cm) du mur gauche de l'armoire et à 2" (5,1 cm) du planché (figure 2).
- La région ombragée indique l'emplacement que vous pouvez utiliser pour la prise électrique (figure 2).
- Si votre ligne de gaz passe au travers du plancher, vous devez retirer le protecteur du bas de l'appareil pour obtenir l'espace nécessaire (figure 3).
- Nous recommandons d'installer un coude sur la ligne de gaz à la sortie du mur ou du plancher dirigé vers le centre de l'appareil pour faciliter l'installation.

INSTRUCTIONS D'INSTALLATION POUR CUISINIÈRE ENCASTRABLE DE 30" À GAZ (Modèles avec brûleurs fermés)

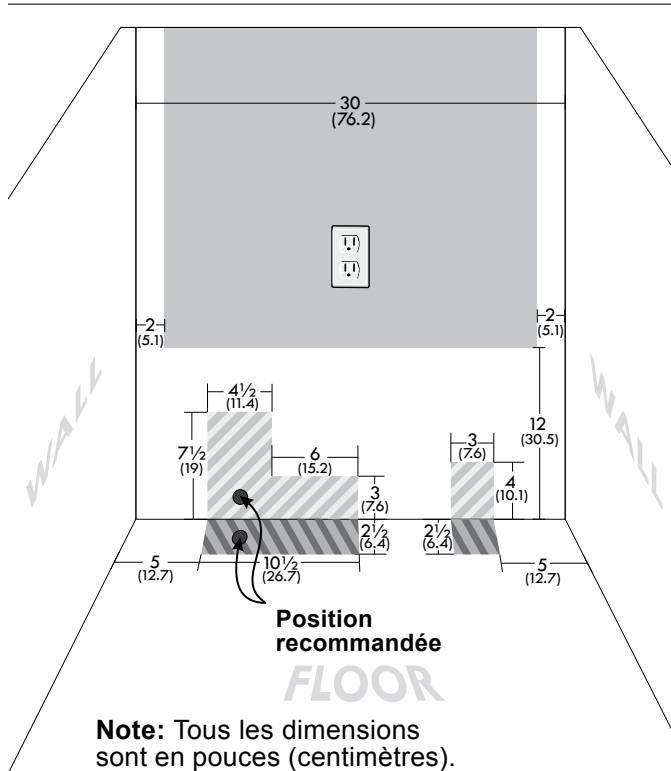
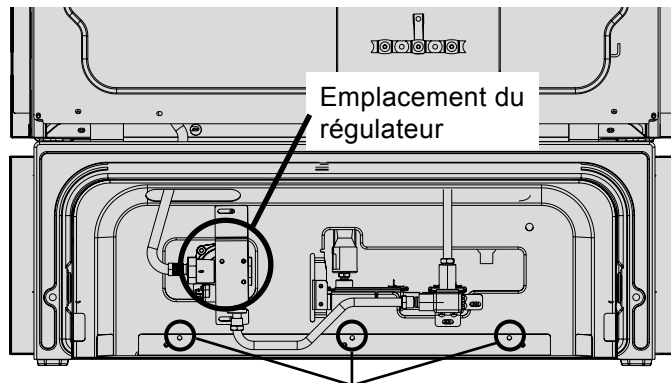


Figure 2



Pour retirer le protecteur, enlever ces 3 vis.

Figure 3

2. Alimentation en gaz – Installation

Cet appareil a été conçu en usine pour fonctionner au gaz naturel avec une pression d'admission de 4" (10,16 cm) de colonne d'eau (1.0 kpa). Un régulateur de pression convertible est branché avec la rampe à gaz de la cuisinière, et DOIT RESTER connecté en série avec le tuyau d'alimentation. Si un kit de conversion au gaz propane est utilisé, suivez les instructions de conversion comprises dans le feuillet fourni pour convertir le régulateur pour être utilisé avec le gaz propane.

Une attention particulière doit être prise lors de l'installation de l'appareil pour ne pas obstruer la prise d'air pour la combustion et le conduit de ventilation de l'appareil.

Pour un utilisation adéquat, la pression intérieure maximale au régulateur ne doit pas être supérieure à 14" (35,56 cm) (3.5 kpa) de pression de colonne d'eau. La pression d'admission au régulateur doit être supérieure d'au moins un pouce (ou de 0,25 kpa) au régulateur ajusté à la rampe à gaz. Pour le gaz naturel, le régulateur étant ajusté à 4" (10,16 cm) de pression (1,0 kpa), la pression d'admission doit être d'au moins 5" (12,7 cm) de colonne d'eau (1,25 kpa). Pour le gaz propane, le régulateur étant ajusté à 10" (25,4 cm) de pression (2,5 kpa), la pression d'admission doit être d'au moins 11 po (27,9 kpa).

Les tests pour vérifier les fuites de gaz doivent être faits selon les instructions de l'étape 4.

La ligne de gaz doit être de 1/2" (1,3 cm) ou de 3/4" (1,9 cm) de diamètre intérieur.

3. Scellez les ouvertures

Scellez toutes les ouvertures dans le mur à l'arrière de la cuisinière ainsi que celles dans le plancher sous l'appareil une fois que la ligne de gaz est installée.

4. Branchez le gaz à la cuisinière

Important: Enlever tout le matériel d'emballage des compartiments du four avant de brancher l'alimentation à gaz et électrique à la cuisinière.

Afin de prévenir les fuites, utilisez des pâtes à joints de tuyauterie fabriquées pour utilisation avec gaz naturel et propane.

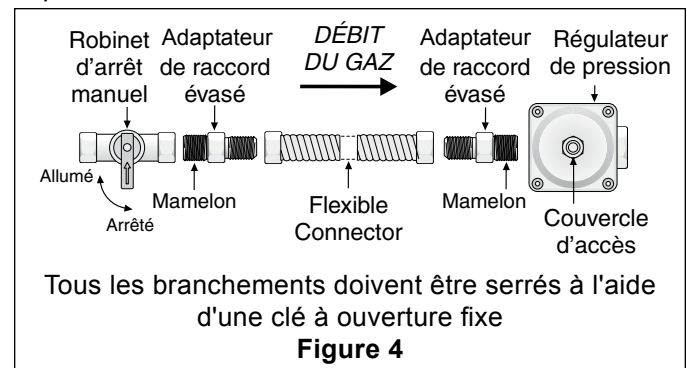
Le régulateur est situé tel que montré sur la figure 3.

⚠ MISE EN GARDE Ne laissez pas le régulateur glisser sur le tuyau lors du branchement.

Branchement du régulateur de pression

Le régulateur est installé à l'appareil.

⚠ MISE EN GARDE Ne serrez pas trop les raccords. Le régulateur est moulé sous pression. Un serrage excessif pourrait le fissurer et provoquer une fuite de gaz susceptible de causer un incendie ou une explosion.



Tous les branchements doivent être serrés à l'aide d'une clé à ouverture fixe

Figure 4

INSTRUCTIONS D'INSTALLATION POUR CUISINIÈRE ENCASTRABLE DE 30" À GAZ (Modèles avec brûleurs fermés)

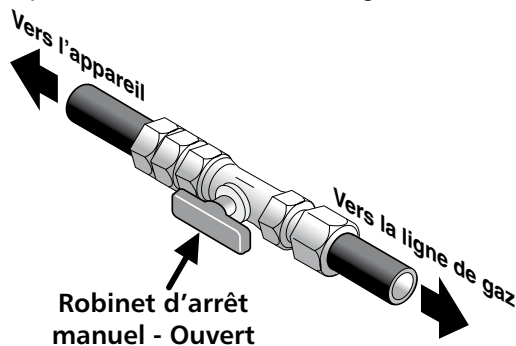
Assemblez le connecteur flexible du conduit d'alimentation en gaz au régulateur de pression dans l'ordre qui suit

1. robinet d'arrêt manuel (non-inclus)
2. 1/2" mamelon (non-inclus)
3. 1/2" adaptateur de raccord évasé (non-inclus)
4. connecteur flexible, (non-inclus)
5. 1/2" adaptateur de raccord évasé (non-inclus)
6. 1/2" mamelon (non-inclus)
7. régulateur de pression (inclus)

Utilisez des pâtes à joints de tuyauterie fabriquées pour utilisation avec gaz naturel et propane, pour sceller les connexions de gaz. Si des connecteurs flexibles sont utilisés, assurez-vous qu'ils ne sont pas tordus.

La ligne de gaz doit être munie d'un robinet d'arrêt manuel approuvé. Ce robinet doit être installé dans la même pièce que l'appareil et doit être facile d'accès.

Ne bloquez pas l'accès au robinet. Ce robinet permet d'arrêter ou de permettre l'alimentation en gaz à la cuisinière.



Une fois le régulateur en place, ouvrez le robinet de la ligne d'alimentation en gaz. Attendez quelques minutes pour permettre au gaz circuler à travers la canalisation pour le gaz.

Veillez à ce qu'il n'y ait pas de fuites. Après avoir raccordé l'alimentation en gaz à la cuisinière, à l'aide d'un manomètre vérifiez si le système ne fuit pas. Si vous ne disposez pas d'un manomètre, ouvrez l'alimentation en gaz et utilisez un liquide détecteur de fuites sur tous les joints et les raccords.

⚠ AVERTISSEMENT N'utilisez pas de flamme nue pour vérifier les fuites de gaz. La détection des fuites à l'aide d'une flamme pourrait provoquer un incendie ou une explosion.

Resserrez tous les raccords si nécessaire, afin de prévenir les fuites de gaz dans la plaque de cuisson ou le tuyau d'alimentation.

Débranchez la cuisinière et fermez son robinet d'alimentation en gaz lors de toute vérification de pression du circuit d'alimentation de gaz à une pression supérieure à 1/2 lb/po² (3.5 kpa ou 14" (35,56 cm) colonne d'eau).

Isolez la cuisinière du réseau d'alimentation en gaz en fermant son robinet d'arrêt manuel, lors de toute vérification de pression du circuit d'alimentation en gaz à une pression inférieure ou égale à 1/2 lb/po² (3.5 kpa ou 14 po. colonne d'eau).

5. Conversion au gaz propane

Cet appareil fonctionne au gaz naturel ou au gaz propane. Il est réglé en usine pour fonctionner au gaz naturel.

Si vous désirez convertir votre cuisinière au gaz propane, servez-vous des orifices fixes fournis dans l'enveloppe portant l'inscription "POUR CONVERSION AU GAZ PROPANE". Suivez les instructions d'installation se trouvant dans l'enveloppe.

Un installateur qualifié doit effectuer la conversion conformément aux instructions du fabricant et à tous les codes et règlements applicables. Si ces instructions ne sont pas suivies à la lettre, il pourrait en résulter de sérieuses blessures corporelles ou des dommages matériels. L'entreprise d'installation qualifiée qui effectue ce travail assume la responsabilité de la conversion.

⚠ AVERTISSEMENT Si on n'effectue pas la conversion correctement, il pourrait en résulter des blessures corporelles et des dommages matériels.

INSTRUCTIONS D'INSTALLATION POUR CUISINIÈRE ENCASTRABLE DE 30" À GAZ (Modèles avec brûleurs fermés)

6. Branchez le courant électrique à la cuisinière

Circuit de dérivation de 120 volt, 60 Hertz, avec mise à la terre appropriée, protégé par un disjoncteur de 15 ampères ou un fusible temporisé.

N'utilisez pas de cordon de rallonge pour brancher l'appareil.

Instructions de mise à la terre

IMPORTANT Veuillez lire attentivement.

Pour votre propre sécurité, cet appareil doit être correctement mis à la terre.

Afin de réduire au minimum les risques de chocs électriques, le cordon d'alimentation de cet appareil est muni d'une fiche de contact tripolaire (mise à la terre) enfichable dans une prise de courant murale tripolaire standard avec mise à la terre (figure 5).

Il est conseillé de faire vérifier la prise de courant murale et le circuit par un électricien qualifié, afin de s'assurer que la prise de courant est correctement mise à la terre.

Dans le cas où il n'y a qu'une prise de courant murale bipolaire standard, il incombe au client de la remplacer par une prise de courant murale tripolaire correctement mise à la terre.

Il est strictement interdit de couper ou d'enlever la troisième tige (mise à la terre) du cordon d'alimentation.

Méthode préférée

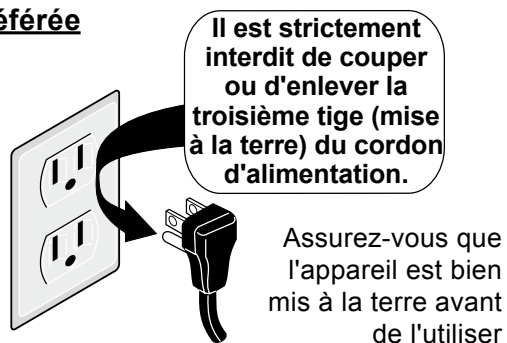


Figure 5

⚠ AVERTISSEMENT Débranchez le cordon d'alimentation électrique de la prise de courant murale avant de réparer ou de nettoyer l'appareil.

7. Déplacement de l'appareil en vue d'en faire le service ou le nettoyage

Coupez l'alimentation électrique de l'appareil à la boîte des fusibles ou des disjoncteurs et fermez le robinet manuel d'alimentation à gaz. Défaites la connexion de la tuyauterie rigide au régulateur. Il n'est pas nécessaire de défaire cette connexion si un conduit flexible est utilisé. Assurez-vous que l'appareil est froid. Retirez le tiroir de rangement, puis ouvrez la porte du four. Soulevez la cuisinière à l'avant et faites-la glisser hors de son gîte, tout en évitant de soumettre le conduit à gaz flexible à des contraintes excessives. Lorsque la cuisinière est replacée dans son gîte, veillez à ne pas coincer le conduit à gaz flexible et le câble d'alimentation électrique derrière l'appareil. Re-connectez la tuyauterie rigide au régulateur (si applicable) et vérifiez qu'il n'y a pas une fuite de gaz du joint. Remplacez le tiroir, fermez la porte et ré-alimentez l'appareil en gaz et en électricité.

INSTRUCTIONS D'INSTALLATION POUR CUISINIÈRE ENCASTRABLE DE 30" À GAZ (Modèles avec brûleurs fermés)

8. Instructions d'installation du support anti-bascule

8.1 Modèles possédant un dispositif de nivellement

⚠ AVERTISSEMENT Pour réduire le risque de basculement de la cuisinière, protégez-la en installant les vis et le support anti-bascule fournis avec la cuisinière. Ils sont situés dans un sac de plastique dans le four. Si vous n'installez pas ce support anti-bascule, la cuisinière risque de basculer si un poids excessif est placé sur une porte ouverte ou si un enfant y grimpe. Les renversements de liquides chauds ou la cuisinière peuvent provoquer de sérieuses blessures.

Suivez les instructions ci-dessous pour installer le support anti-bascule.

Si vous déplacez la cuisinière pour l'installer à un autre endroit, vous devez également déplacer le support anti-bascule pour les installer avec la cuisinière.

Outils Requis :

Tourne écrou de 5 /16" (0,79 cm) ou tournevis à tête carrée

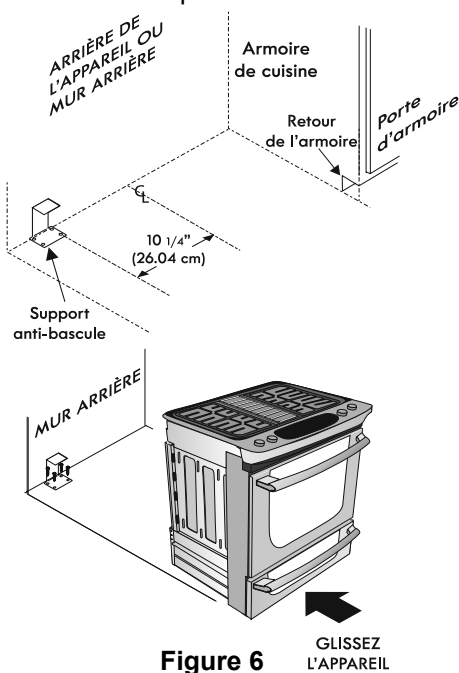
Clé à molette

Perceuse électrique

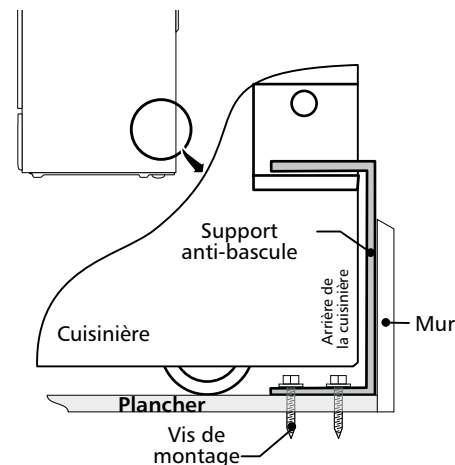
Foret de 3/16" (0,5 cm) de diamètre

Foret de maçonnerie de 3/16" (0,5 cm) de diamètre (si l'installation se fait dans du béton)

Le support anti-bascule se fixe au plancher, à l'arrière au centre de la cuisinière, pour retenir la patte arrière centrale. En le fixant au plancher, assurez-vous que les vis ne pénètrent pas dans la plomberie ou le câblage électrique. Les vis fournies fonctionneront aussi bien dans du bois que dans du béton.



1. Dessinez une ligne au sol (à l'avant de l'ouverture) en ligne avec le devant des armoires (et non en ligne avec le retour d'armoire).
2. Dépliez le gabarit de papier et placez-le à plat sur le plancher, l'avant et les extrémités des côtés exactement sur la ligne préalablement tracée (utilisez le diagramme ci-dessous pour localiser le support anti-bascule si le gabarit de papier n'est pas disponible (Figure 6)).
3. Tracez sur le plancher l'emplacement des 4 trous de montage indiqués sur le gabarit. Pour faciliter l'installation, des trous pilotes d'un 1/2" (1,3 cm) de profondeur et 3/16" (0,5 cm) de diamètre peuvent être percés dans le plancher.
4. Enlevez le gabarit et placez le support anti-bascule sur le plancher. Alignez les trous dans le support anti-bascule avec les trous tracés sur le plancher et fixez avec les 4 vis fournies. Le support anti-bascule doit être fixé sur un plancher solide (Figure 7). Si vous les fixez à un plancher en béton, percez d'abord des trous pilotes de 3/16" (0,5 cm) de diamètre à l'aide d'un foret à maçonnerie.
5. Assurez-vous que les vis de nivellement ainsi que les dispositifs de nivellement sont à la position la plus haute.
6. Remplacez la cuisinière en la faisant glisser, en vous assurant que la patte centrale est bien agrippée au support anti-bascule (Figure 7). Abaissez l'appareil en ajustant les vis et les dispositifs de nivellement jusqu'à ce que le dessous de la surface vitrifiée touche à peine le dessus du comptoir. Référez-vous à la section Mise à niveau de la cuisinière.
7. Après l'installation, vérifiez que la cuisinière est bien agrippée au support anti-bascule en agrippant le dessus de l'extrémité arrière de la cuisinière et essayant soigneusement de l'incliner vers l'avant pour vous assurer que la cuisinière est correctement ancrée.



INSTRUCTIONS D'INSTALLATION POUR CUISINIÈRE ENCASTRABLE DE 30" À GAZ (Modèles avec brûleurs fermés)

8.2 Modèles possédant des vis de nivellement

⚠ AVERTISSEMENT La cuisinière doit être fixée au plancher pour éviter qu'elle ne bascule, en installant un support anti-bascule à l'aide des vis fournies avec la cuisinière. Si le support anti-bascule n'est pas installé, la cuisinière peut basculer lorsqu'un poids excessif est exercé sur la porte ouverte ou qu'un enfant monte dessus. Des blessures graves peuvent s'ensuivre provenant de la cuisinière elle-même ou du renversement de liquides chauds.

Si la cuisinière doit être déplacée, le support anti-bascule doit être également déplacé.

Les directives fournies sont prévues pour la fixation dans un plancher de bois ou de béton. Lors de la fixation, assurez-vous que les vis ne pénètrent pas dans les accessoires de plomberie, de gaz ou le câblage électrique.

A. Positionnez le support à l'aide du gabarit. - Positionnez le gabarit symétriquement au centre de l'emplacement final de la cuisinière. Marquez au sol la position des vis du support tel que montré sur ce gabarit (le support peut être installé à droite ou à gauche).

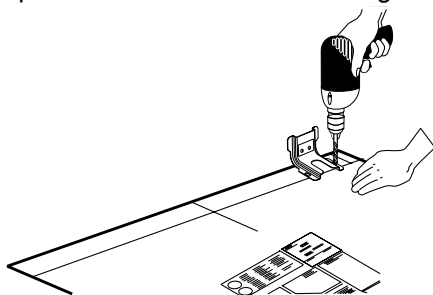


Figure 8

B. Percez des avant-trous et fixez le support -

Repérez le centre des trous indiqués et percez des avant-trous de 1/8". Si le support doit être fixé au mur, percez un avant-trou dans un angle de 20°. Si le support doit être fixé sur un plancher en béton ou en céramique, percez un avant-trou de 5/32" x 1-3/4" de profondeur. Les vis fournies peuvent être utilisées dans le bois comme dans le béton. Utilisez un tourne-écrou de 5/16" pour fixer le support.

FIXER LE SUPPORT (MONTAGE AU MUR OU AU PLANCHER)

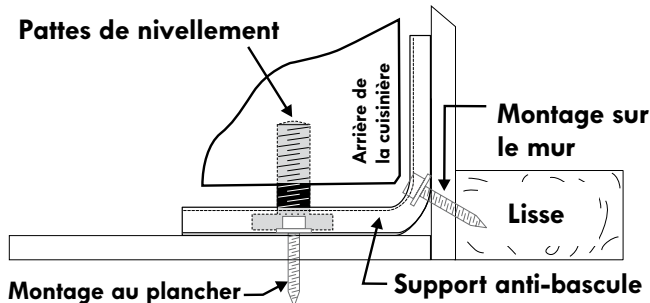


Figure 9

C. Mise à niveau et positionnement de la cuisinière.

Glissez la cuisinière à son emplacement final. Insérez la patte de nivellement de la cuisinière dans le support. Assurez-vous que la patte de la cuisinière est bien insérée dans le support en vérifiant visuellement. Placez un niveau à bulle sur l'une des grilles de l'appareil pour vérifier s'il est de niveau. S'il est nécessaire, ajustez les pattes de nivellement jusqu'à ce que l'appareil soit de niveau.

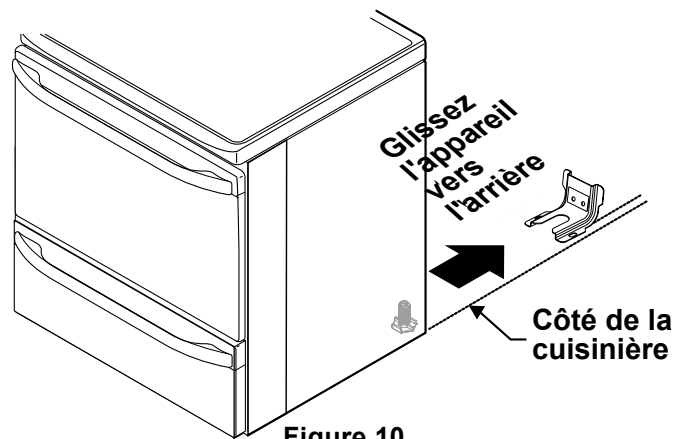


Figure 10

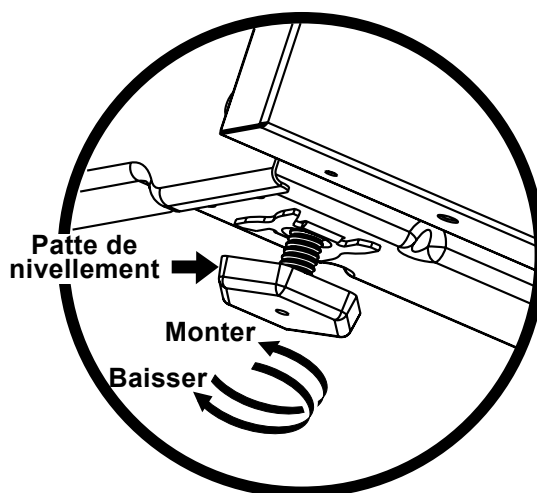


Figure 11

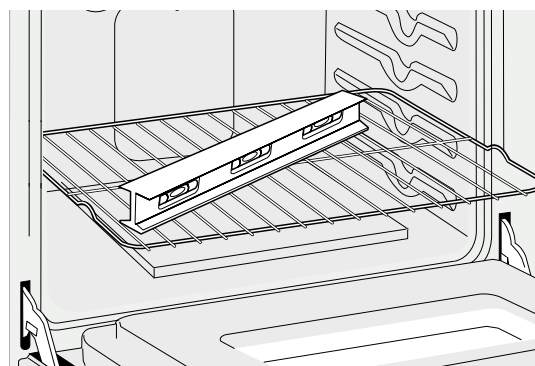


Figure 12

INSTRUCTIONS D'INSTALLATION POUR CUISINIÈRE ENCASTRABLE DE 30" À GAZ (Modèles avec brûleurs fermés)

9. Installation de la cuisinière

Note Importante: Il n'est pas nécessaire de retirer la porte du four, mais cela facilite grandement l'installation.

Référez-vous au manuel d'utilisation pour connaître les étapes.

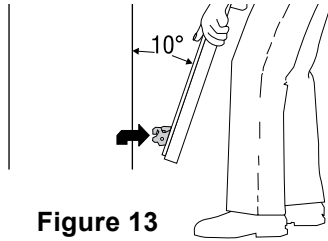


Figure 13

Installation Standard

- 9.1** La table de cuisson chevauche, de chaque côté, le dessus du comptoir et la cuisinière repose sur le plancher. La largeur de la table de cuisson est de 31½" (80 cm).
- 9.2** Les armoires sous le comptoir doivent être distantes de 30" (76,2 cm). Assurez-vous qu'elles sont d'aplomb et de niveau avant d'y installer la cuisinière. Aaser le rebord bombé à l'extrémité avant du comptoir pour obtenir un ajustement serré de 31½" (80 cm) entre les bords extérieurs de la table de cuisson et le comptoir.
- 9.3** Distancez les portes des armoires de 32" (81,3 cm) minimum afin qu'elles n'interfèrent pas avec l'ouverture de la porte du four.
- 9.4** Découpez le comptoir tel que montré à la page 34.

Modèles possédant un dispositif de nivellement:

- 9.5** Lorsque vous déballez l'appareil les dispositifs de nivellement situés à l'arrière de l'appareil sont à la position la plus haute. Assurez-vous que les pattes de nivellement à l'avant sont aussi plus hautes que le comptoir.
- 9.6** Retirer et jeter les deux pattes de nivellement arrière, elles sont en place seulement que pour solidifier l'appareil durant le transport.
- 9.7** **⚠ MISE EN GARDE** Installez le support anti-bascule maintenant avant de placer l'appareil à sa position finale. Suivez les instructions sur le gabarit fourni avec le support anti-bascule de l'appareil ou à la fin de ce feuillet.
- 9.8** Afin d'obtenir une installation optimale, les 3 côtés du comptoir recevant l'appareil doivent être plats et à niveau. Tous les ajustements adéquats afin que le comptoir soit plat doivent être faits sinon des espaces entre l'appareil et le comptoir peuvent se produire.
- 9.9** **⚠ MISE EN GARDE** Pour éviter d'endommager l'appareil, ne pas le saisir ou le manipuler par la vitre de la surface de cuisson. Manipulez-le avec soin.
- 9.10** Centrez l'appareil devant l'ouverture du comptoir.
- 9.11** Assurez-vous que la surface de cuisson vitrifiée allant par dessus le comptoir est bien plus haute que le comptoir. Si tel n'est pas le cas, levez l'appareil en baissant les pattes de nivellement.
- 9.12** Glissez l'appareil dans l'ouverture du comptoir et centrez le devant de le mettre à niveau.
- 9.13** Nivelez la cuisinière (voir la section 10). Le plancher qui supporte la cuisinière doit être de niveau.

- 9.14** Ajustez les dispositifs de nivellement pour que le dessous de la table de cuisson repose au dessus du comptoir. Doucement relevez les dispositifs de nivellement arrière afin que la surface vitrifiée touche à peine le comptoir. La surface vitrifiée ne doit pas supporter l'appareil. Finalement, relevez doucement les vis de nivellement avant jusqu'à ce que la surface vitrifiée touche à peine le comptoir.

Modèles possédant des vis de nivellement:

- 9.5** Assurez-vous que les quatre pattes de nivellement (arrière et avant) soient installées plus hautes que la hauteur du comptoir.
- 9.6** **⚠ MISE EN GARDE** Installez le support anti-bascule maintenant avant de placer l'appareil à sa position finale. Suivez les instructions sur le gabarit fourni avec le support anti-bascule de l'appareil ou à la fin de ce feuillet.
- 9.7** Afin d'obtenir une installation maximale, les 3 côtés du comptoir recevant l'appareil doivent être plats et à niveau. Tous les ajustements adéquats afin que le comptoir soit plat doivent être faits sinon des espaces entre l'appareil et le comptoir peuvent se produire.
- 9.8** **⚠ MISE EN GARDE** Pour éviter d'endommager l'appareil, ne pas le saisir ou le manipuler par la vitre de la surface de cuisson. Manipulez-le avec soin.
- 9.9** Centrez l'appareil devant le centre de l'ouverture du comptoir.
- 9.10** Assurez-vous que la surface de cuisson vitrifiée allant par dessus le comptoir est bien plus haute que le comptoir. Si tel n'est pas le cas, levez l'appareil en baissant les pattes de nivellement.
- 9.11** Nivelez la cuisinière (voir la section 10). Le plancher qui supporte la cuisinière doit être de niveau.
- 9.12** Finalement, glissez l'appareil dans l'ouverture du comptoir.

IMPORTANT

SI DES ACCESSOIRES SONT NÉCESSAIRES

Installation avec un dossier

Vous pouvez commander un nécessaire de dossier dans un centre de service. La profondeur du découpage de 21¾" (55,2 cm) Min. et 22 1/8" (56,2 cm) Max. doit être augmentée à 24" (61 cm) lorsqu'un dossier est installé sur l'appareil.

Installation d'une moulure arrière

Vous pouvez commander un nécessaire de moulure arrière dans un centre de service.

Installation de panneaux latéraux

Vous pouvez commander un nécessaire de panneaux latéraux dans un centre de service. Distancez les portes des armoires de 32" (81,3 cm) minimum afin qu'elles n'interfèrent pas avec l'ouverture de la porte du four.

INSTRUCTIONS D'INSTALLATION POUR CUISINIÈRE ENCASTRABLE DE 30" À GAZ (Modèles avec brûleurs fermés)

10. Mise à niveau de la cuisinière

10.1 Modèles possédant un dispositif de nivellement

Mettez à niveau l'appareil après l'avoir inséré dans le comptoir

- Ouvrez le tiroir de la cuisinière. Des vis de nivellement contrôlent la hauteur des dispositifs de nivellement arrière.
- Ajustez les pieds de l'appareil, comme décrit plus loin, jusqu'à ce que le dessous de la surface de cuisson s'appuie délicatement sur le dessus du comptoir et soit à niveau (Figure 14).
 - Pour ajuster les vis de nivellement avant, utilisez une clé à molette, localisez la vis et tournez-la dans le sens anti-horaire pour baisser ou dans le sens horaire pour lever l'appareil.
 - Retirez les pattes arrières en utilisant un clé à cliquet sur la base de la patte et tournez-la dans le sens anti-horaire jusqu'à ce que la patte se détache de l'appareil. Jetez les pattes arrières, elles sont seulement utiles pour solidifier l'appareil durant le transport.
 - Pour ajuster les dispositifs de nivellement arrière, utilisez un tourne écrou ou un rochet et tournez l'écrou de nivellement dans le sens anti-horaire pour baisser et dans le sens horaire pour lever l'appareil.
- Vérifiez si l'appareil est à niveau en installant une grille au centre du four et en plaçant un niveau à bulle sur cette dernière (Figure 15).
- Prenez 2 lectures en plaçant le niveau en diagonale dans une direction, puis dans l'autre direction. Si nécessaire, ajustez les 2 vis et les dispositifs de nivellement.
- S'il est impossible de mettre à niveau l'appareil, contactez un menuisier pour corriger les défauts dans le plancher.

10.2 Modèles possédant des vis de nivellement

Mettez la cuisinière de niveau et ajustez la hauteur de la table de cuisson avant de l'installer dans le découpage du comptoir.

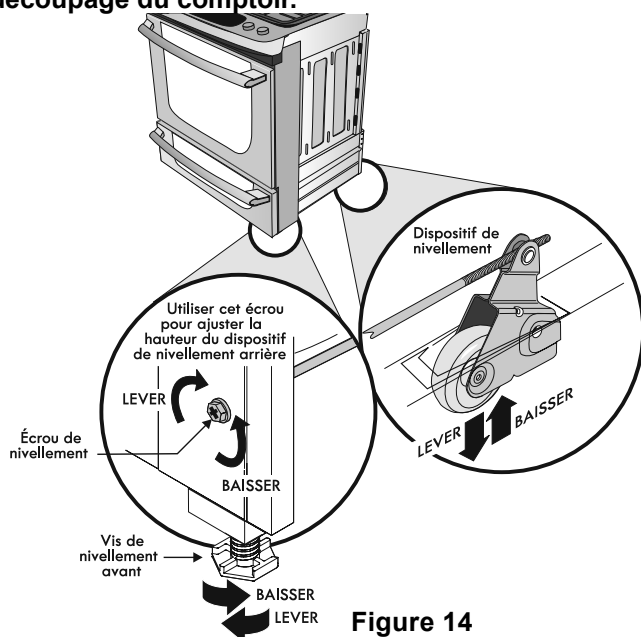


Figure 14

- Installez une grille au centre du four.
- Déposez un niveau à bulle sur la grille (figure 15). Prenez 2 lectures en plaçant le niveau en diagonale dans une direction, puis dans l'autre direction. Si nécessaire, ajustez les 4 vis de nivellement avec une clé à molette (voir figure 11).
- Glissez délicatement la cuisinière, en faisant attention de ne pas abîmer le dessus du comptoir, dans le découpage du comptoir et vérifiez si elle est encore de niveau.

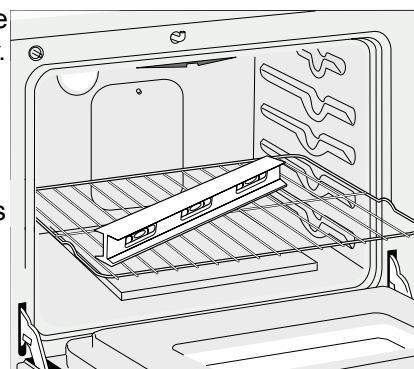


Figure 15

11. Installation d'une moulure décorative (si nécessaire)

- Débranchez la cuisinière avant de procéder.
- Assurez-vous qu'elle est de niveau.
- Retirez l'appareil de son emplacement.
- Déterminez la hauteur à laquelle la moulure doit être installée en mesurant du plancher au-dessous de la table de cuisson.
- Reportez cette mesure sur le mur arrière où l'appareil est placé.
- Tracez une ligne de niveau.
- Placez la moulure sur le mur en prenant soin de localiser le haut de la moulure en bas de la ligne tracée précédemment.
- Fixez la moulure au mur à l'aide des vis fournies.
- Branchez et remplacez la cuisinière (le dessous de la table de cuisson doit arriver au-dessus de la moulure).

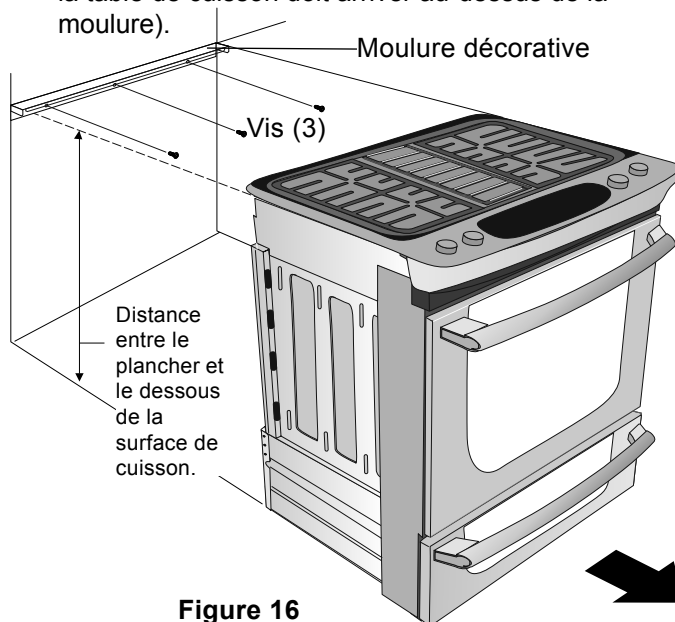


Figure 16

INSTRUCTIONS D'INSTALLATION POUR CUISINIÈRE ENCASTRABLE DE 30" À GAZ (Modèles avec brûleurs fermés)

12. Vérification du Fonctionnement

Référez-vous au Guide de l'utilisateur inclus avec la cuisinière pour les directives de fonctionnement et pour l'entretien et le nettoyage de votre cuisinière.

Enlevez tout le matériel d'emballage du four avant de commencer les essais.

12.1 Mise en place des couvercles de brûleurs

Brûleurs réguliers

Il est **très important** de vous assurer que les couvercles et les grilles des brûleurs sont installés correctement et à la bonne position **avant** d'utiliser l'appareil. S'il vous plaît notez que les têtes de brûleur sont fixes à la table de cuisson. **La table de cuisson n'est pas relevable.** N'essayez pas d'enlever ou soulever la table de cuisson.

⚠ AVERTISSEMENT Afin d'éviter les flambées soudaines et la création de gaz secondaires qui peuvent être nocifs, n'utilisez pas votre table de cuisson sans les couvercles de brûleurs correctement installés pour assurer un allumage adéquat et une flamme de la bonne dimension.

Gardez toujours les couvercles et les têtes de brûleurs en position lorsqu'ils sont en fonction. **NE laissez pas les renversements, la nourriture, les agents de nettoyage ou tout autre matériau obstruer l'orifice du brûleur.**

Vérifiez et assurez vous que la dimension des couvercles concorde avec la dimension des têtes des brûleurs. Vérifiez et assurez-vous que tous les couvercles de brûleurs ronds sont placés correctement sur les têtes de brûleurs ronds.

Vérifiez et assurez-vous que tous les couvercles de brûleurs ovales sont placés correctement sur les têtes de brûleurs ovales (si présent). Vérifiez et assurez-vous que tous les couvercles du brûleur double sont placés correctement sur la tête du brûleur double (si présent).

Sur les brûleurs ronds, assurez-vous que le rebord du couvercle est bien disposé au centre de la tête du brûleur et donc à niveau (Figure 17). Référez-vous aux figures 18 & 19 pour connaître le positionnement correct et incorrect des couvercles de brûleurs.

Une fois en place, vérifiez si les couvercles sont bien placés, centrés et bien assis au centre de la tête du brûleur en les bougeant de droite à gauche (figure 20). Lorsque le rebord des couvercles entrera en contact avec l'intérieur de la tête des brûleurs, vous entendrez le bruit du contact. S'il vous plaît, notez le couvercle NE doit pas bouger du centre de la tête du brûleur lorsque vous tentez de le glisser de droite à gauche.

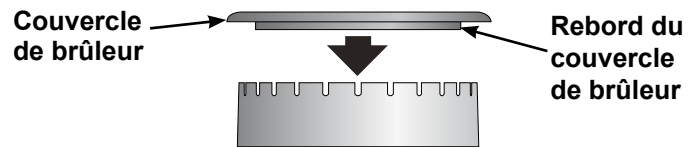


Fig. 17

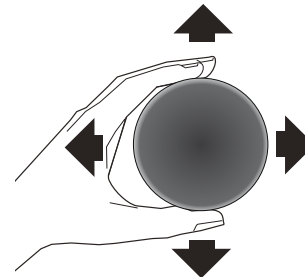
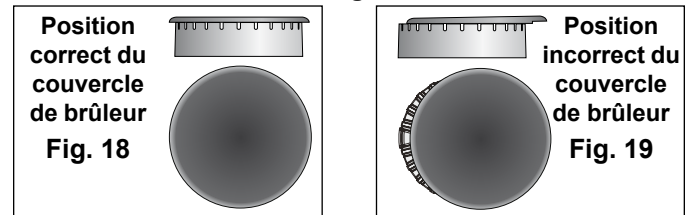
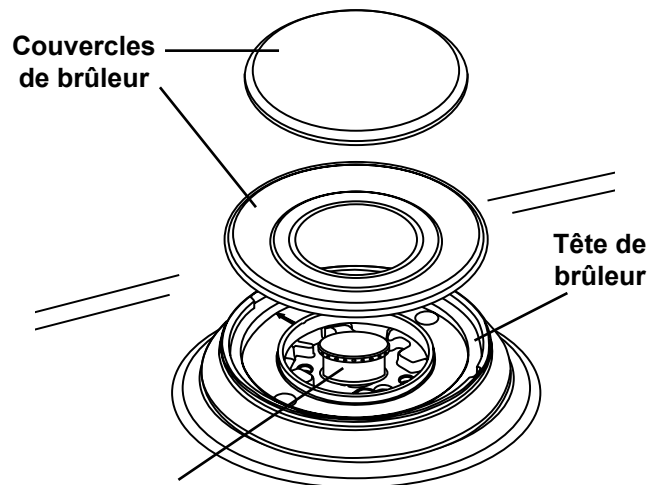


Fig. 20

Brûleur muni d'une flamme double (Si présent)

Enlevez les rubans adhésifs. Assurez-vous que les couvercles du brûleur muni d'un flamme double sont correctement placés AVANT d'utiliser le brûleur.

Note: Il n'y a pas d'ajustement nécessaire sur cette surface de cuisson.



Brûleur de précision - basse température

Figure 21

12.2 Branchez l'alimentation en électricité et ouvrez le robinet principal d'alimentation en gaz.

INSTRUCTIONS D'INSTALLATION POUR CUISINIÈRE ENCASTRABLE DE 30" À GAZ (Modèles avec brûleurs fermés)

12.3 Vérifiez les allumeurs

Il faut vérifier le fonctionnement des allumeurs électriques après que la cuisinière et les raccords du tuyau d'alimentation aient été eux-mêmes vérifiés relativement aux fuites et que la cuisinière ait été branchée à la prise de courant.

Pour vérifier si l'allumage est adéquat :

- Appuyez sur le bouton de commande d'un brûleur de surface et tournez-le à la position «LITE». Vous entendrez les étincelles de l'allumeur électrique qui allume le brûleur.
- Le brûleur de surface doit s'allumer lorsque le gaz est disponible au brûleur supérieur. En fonctionnement normal, chaque brûleur doit s'allumer dans un délai de quatre (4) secondes après que l'air ait été purgé des canalisations d'alimentation.
- Regardez si le brûleur est allumé. Une fois le brûleur allumé, le bouton de commande doit être tourné à une autre position que LITE.
- Il existe des dispositifs d'allumage séparés pour chaque brûleur. Essayez chaque bouton séparément jusqu'à ce que tous les robinets de brûleur aient été vérifiés.

12.4 Réglez la position "LOW" des robinets des brûleurs de surface (flux linéaire)

Vérifiez si la position LOW doit être ajustée:

- Appuyez sur le bouton de commande et tournez-le à la position LITE jusqu'à ce qu'il allume.
- Tournez rapidement le bouton à la position la plus basse.
- Si le brûleur s'éteint, remettez le bouton de commande à la position OFF (arrêt).
- Enlevez le bouton de commande
- Insérez un tournevis à pointe fine dans la tige creuse du robinet et insérez dans la tête de la vis. La hauteur de la flamme peut être augmentée ou diminuée en tournant la vis. Tournez la vis dans le sens anti-horaire pour augmenter la dimension de la flamme. Tournez la vis dans le sens horaire pour diminuer la dimension de la flamme (Figure 15).

Ajustez la dimension flamme jusqu'à ce que vous puissiez tourner rapidement le bouton de LITE à la plus basse position (LOW) sans éteindre la flamme. Celle-ci devrait être aussi minuscule que possible sans s'éteindre.

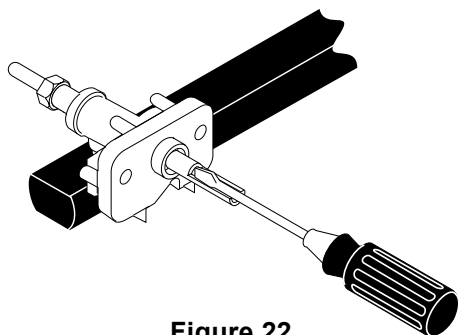


Figure 22

12.5 Fonctionnement et réglage des brûleurs du four.

12.5.1 Brûleurs à allumage électrique

Le fonctionnement des allumeurs électriques devrait être vérifié après que la cuisinière et l'arrivée de gaz aient été vérifiées minutieusement pour détecter les fuites et que la cuisinière ait été branchée au réseau électrique.

Le brûleur du four est muni d'un allumeur électrique ainsi que d'un système de commande électrique. Si votre modèle est muni d'un brûleur de rôtisserie à alimentation par prise unique, il aura également un allumeur électrique. Ces systèmes de commande ne nécessitent aucun ajustement. Lorsque le fourneau sera prêt à fonctionner, le courant parviendra à l'allumeur qui deviendra incandescent et lorsqu'il aura atteint la température d'ignition du gaz, la valve de commande du four commandée électroniquement s'ouvrira et une flamme apparaîtra au brûleur du fourneau. Il y a un délai de 30 à 60 secondes après que le thermostat soit mis en position "ON" et le moment que la flamme apparaisse au brûleur du fourneau. Lorsque le four atteint la température réglée au cadran, l'allumeur s'éteint. La flamme du brûleur s'éteint entre 20 et 30 secondes après que l'allumeur eut été coupé. Ce cycle continuera pour maintenir toute température réglée jusqu'à ce que l'indicateur/cadran soit remis à "OFF".

INSTRUCTIONS D'INSTALLATION POUR CUISINIÈRE ENCASTRABLE DE 30" À GAZ (Modèles avec brûleurs fermés)

Après avoir enlevé tout matériel d'emballage et la documentation du four,

- Réglez le four pour cuire "BAKE" à 300°F. Voir le Guide d'utilisation et d'entretien pour les directives d'opération.
- Le brûleur du four devrait s'allumer en dedans de 60 secondes. Vérifiez si la flamme est convenable, répétez la procédure une autre fois et remettez le bouton de commande à la position Arrêt (OFF).
- Si votre modèle est muni d'un brûleur de rôtisserie à alimentation par prise unique, réglez le fourneau à rôtissage (BROIL). Voir le Guide d'utilisation et d'entretien pour les directives d'opération.
- Le brûleur de la rôtisserie devrait s'allumer en dedans de 60 secondes. Vérifiez si la flamme est convenable et remettez le bouton de commande à "OFF".

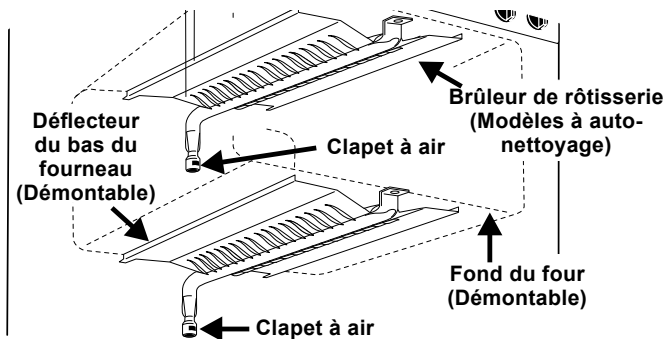


Figure 23

12.5.2 Brûleur du fourneau à clapet d'air

La longueur approximative de la flamme du brûleur du fourneau est de 1" (25 mm) (centre de flamme bleu distinct).

Pour déterminer si la flamme du brûleur du four est adéquate, enlevez le fond du four et l'enceinte du brûleur et réglez la commande du four à 300°F.

Enlevez les vis de maintien à l'arrière du fond du fourneau pour pouvoir retirer le fond du fourneau. Soulevez à l'arrière, dégagez le fond avant du cadre du four et retirez le fond du fourneau hors de celui-ci. Enlevez l'enceinte du brûleur pour voir la flamme. Si la flamme est de couleur jaune, augmentez l'ouverture du clapet d'air (voir "2" à la figure 24). Si la flamme est bleue, réduisez l'ouverture du clapet d'air.

Pour faire le réglage, desserrez la vis de blocage ("3" à la figure 24), repositionnez le clapet d'air et serrez la vis de blocage. Remplacez le fond du fourneau.

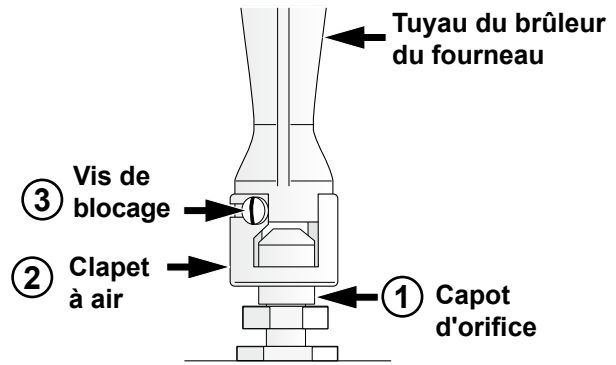


Figure 24

12.5.3 Brûleur de la rôtisserie à clapet d'air

La longueur approximative de la flamme du brûleur du fourneau est de 1" (25 mm) (centre de flamme bleu distinct). Pour déterminer si la flamme du brûleur de la rôtisserie est adéquate, réglez le fourneau à "BROIL". Si la flamme est de couleur jaune, augmentez l'ouverture du clapet d'air (voir "2" à la figure 24). Si la flamme est bleue, réduisez l'ouverture du clapet d'air. Pour faire le réglage, desserrez la vis de blocage ("3" à la figure 24), repositionnez le clapet d'air et serrez la vis de blocage.

Lorsque tous les raccords sont terminés

Vérifiez que toutes les commandes sont en position d'arrêt (OFF).

Assurez-vous que la circulation d'air de combustion et de ventilation à la cuisinière n'est pas obstruée.

Emplacement des numéros de modèle et de série

La plaque signalétique est située sur le châssis avant du four, derrière la porte du four (certains modèles) ou sur le côté du tiroir (certains modèles).

Lorsque vous commandez des pièces ou pour toute demande de renseignements au sujet de votre cuisinière, assurez-vous de toujours inclure les numéros de modèle et de série et un numéro de lot ou une lettre de la plaque signalétique de votre cuisinière.

La plaque signalétique vous donne également la capacité des brûleurs, le type de carburant et la pression à laquelle la cuisinière a été réglée au moment de l'expédition.

Avant d'appeler le service d'entretien

Réviser la liste de vérifications préventives et les instructions d'opération dans votre Guide de l'utilisateur. Vous sauvez probablement du temps et de l'argent. La liste contient les événements ordinaires qui ne résultent pas de défauts dans le matériel ou la fabrication de cet appareil.

Référez-vous à votre Guide de l'utilisateur pour les numéros de téléphone pour nous rejoindre.

INSTRUCTIONS D'INSTALLATION POUR CUISINIÈRE ENCASTRABLE DE 30" À GAZ
(Modèles avec brûleurs fermés)

