

USE & CARE MANUAL

BLUESTAR[®]

Unleash Your Inner Chef[®]

**French Door Bottom Freezer
Refrigerator
FBFD360**

Please read this manual before using the product!

Dear Customer,

We'd like you to make the best use of our product, which has been manufactured in modern facilities with care and meticulous quality controls.

Thus, we advise you to read the entire user manual before you use the product. In case the product changes hands, do not forget to hand the guide to its new owner along with the product.

This guide will help you use the product quickly and safely.

- Please read the user guide carefully before installing and operating the product.
- Always observe the applicable safety instructions.
- Keep the user guide within easy reach for future use.
- Please read any other documents provided with the product.

	Important information and useful tips.
	Risk of life and property.
	Risk of electric shock.
	The product's packaging is made of recyclable materials, in accordance with the National Environment Legislation.

1 Important instructions for safety and environment 3

- 1.1 General safety3
- 1.2 For products with a water dispenser4
- 1.3 Intended use4
- 1.4 Children's safety4

2 Your Refrigerator 5

3 Installation 6

- 3.1 Appropriate installation location6
- 3.2 Installing the plastic wedges6
- 3.3 Electrical connection6
- 3.4 Adjusting the gap between the upper door .7
- 3.5 Adjusting the feet7
- 3.6 Illumination lamp7
- 3.7 Door open warning7
- 3.8 Water connection11
 - 3.8.1 Before Installation11
- 3.9 Connecting the water hose to the refrigerator11
- 3.10 Connecting the water line to the water supply11
- 3.11 Water filter11
 - 3.11.1 Attaching the internal filter into the refrigerator12
- 3.12 Before starting to use the water/ice dispenser12
- 3.13 Transportation of the product13

4 Preparation 14

- 4.1 Things to be done for energy saving14
- 4.2 Recommendations for the fresh food compartment14
- 4.3 Initial use15

5 Operating the product 16

- 5.1 Indicator panel16
- 5.2 Dual cooling system18
- 5.3 Freezing fresh food18
- 5.4 Recommendations for preserving the frozen food19
- 5.5 Placing the food19
- 5.6 Deep-freeze information19
- 5.7 Removing door shelves20
- 5.8 Glass shelves20
- 5.9 Chiller compartment20
- 5.10 Crisper21
- 5.11 Humidity controlled crisper21
- 5.12 Movable middle section21
- 5.13 Ion22
- 5.14 Odor filter22
- 5.15 Using internal water dispenser22
- 5.16 Dispensing water22
- 5.17 For using water dispenser23
- 5.18 Refrigerator shelf weight limitations24

6. Maintenance and cleaning 25

- 6.1 Avoiding bad odors25
- 6.2 Protecting the plastic surfaces25

7 Troubleshooting 26

1 Important instructions for safety and environment

This section contains safety instructions that will help protect from risk of personal injury or property damage.

Intended use

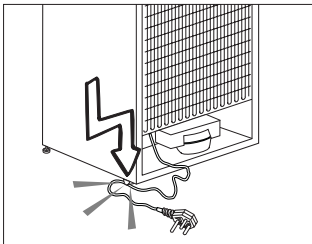
— WARNING: Keep ventilation openings, in the appliance enclosure or in the built-in structure, clear of obstruction.

— WARNING: Do not use mechanical devices or other means to accelerate the defrosting process, other than those recommended by the manufacturer.

— WARNING: Do not use electrical appliances inside the food storage compartments of the appliance, unless they are of the type recommended by the manufacturer.

1.1 General safety

- Unplug the product if a failure occurs while it is in use.
- If the product has a failure, it should not be operated unless it is repaired by the authorized Service Agent. There is the risk of electric shock!
- Connect the product to a grounded outlet protected by a fuse complying with the values in the rating plate. Have the grounding installation made by a qualified electrician. Our company shall not be liable for any damages that will arise when the product is used without grounding in accordance with the local regulations.
- Unplug the product when not in use.



- Never wash the product by spreading or pouring water onto it! There is the risk of electric shock!
- Never touch the plug with wet hands! Never unplug by pulling on the cable, always pull out by grabbing the plug.

- It is recommended to clean the tip of the plug regularly with a dry cloth.
- Do not plug in the refrigerator if the wall outlet is loose.
- Never connect your refrigerator to electricity-saving systems. Such systems are harmful for the product.
- Unplug the product during installation, maintenance, cleaning and repairing procedures.
- Always have the installation and repairing procedures carried out by the **authorized Service Agent**. Manufacturer shall not be held liable for damages that may arise from procedures carried out by unauthorised persons.
- Never use steam and steam assisted cleaning materials to clean or defrost the refrigerator. Steam will cause short circuit or electric shock since it would get into contact with the electrical parts in the refrigerator!
- Do not use mechanical devices or other methods to accelerate the defrosting process, other than those recommended by the manufacturer.
- Never use the parts on your refrigerator such as the door and drawer as a means of support or step. This will cause the product to tip over or parts of it get damaged.
- Do not damage the cooling circuit, where the refrigerant is circulating, with drilling or cutting tools. The refrigerant that might blow out when the gas channels of the evaporator, pipe extensions or surface coatings are punctured may cause skin irritations and eye injuries.
- Do not cover or block the ventilation holes on the refrigerator with any material.
- Do not use gaseous sprays near the product since there is the risk of fire or explosion!
- Flammable items or products that contain flammable gases (e.g. spray) as well as the explosive materials should never be kept in the appliance.
- Do not place containers filled with liquid on top of the product. Spilling water on an electrical component may cause electric shocks or risk of fire.
- If you will not operate the product for a long period of time, unplug and unload the food in it.

Important instructions for safety and environment

- Exposing the product to rain, snow, sun and wind is dangerous with respect to electrical safety.
- Do not overload the product. It may fall when the door is opened, and cause injury or damage. Similar problems may occur in case of putting things on top of the product.
- Do not pull by the handle when changing the place of the product. Handle may get loose.
- Pay attention not to have your hand or any part of your body get caught by the moving parts inside the product.

1.2 For products with a water dispenser

- Pressure for cold water inlet shall be maximum 90 psi (6.2 bar). If your water pressure exceeds 80 psi (5.5 bar), use a pressure limiting valve in your mains system. If you do not know how to check your water pressure, ask for the help of a professional plumber.
- If there is risk of water hammer effect in your installation, always use a water hammer prevention equipment in your installation. Consult professional plumbers if you are not sure that there is no water hammer effect in your installation.
- Do not install on the hot water inlet. Take precautions against of the risk of freezing of the hoses. Water temperature operating interval shall be 33°F (0.6°C) minimum and 100°F (38°C) maximum.
- Use only potable water.

1.3 Intended use

- This product has been designed for domestic use. It is not suitable for commercial use and it must not be used out of its intended use.
- Product must be used only for storing food.
- The manufacturer waives any responsibility arisen from incorrect usage or transportation.

1.4 Children's safety

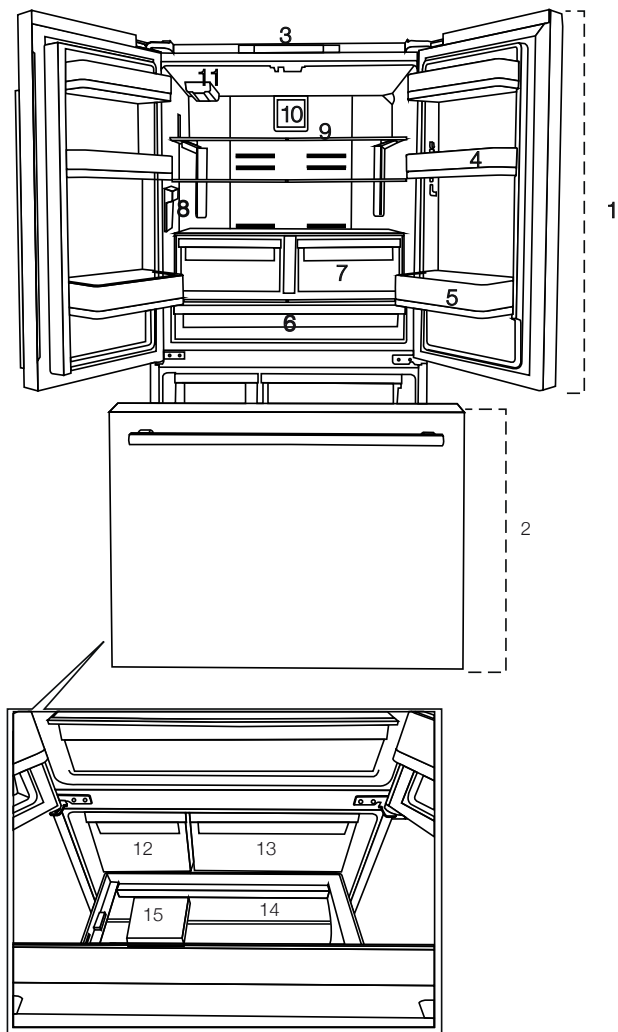
- Children must be supervised to prevent them from tampering with the product.



DANGER: Risk of child entrapment. Before you throw away your old refrigerator or freezer:

- Take off the doors.
- Leave the shelves in place so that children may not easily climb inside.

2 Your Refrigerator



- 1- Refrigerator compartment
- 2- Freezer compartment
- 3- Display/indicator panel
- 4- Door shelf
- 5- Bottle shelf
- 6- Chiller compartment
- 7- Crispers
- 8- Inner water dispenser

- 9- Adjustable glass shelf
- 10- Blower
- 11- Water filter
- 12- Ice container
- 13- Frozen food storage compartment (upper)
- 14- Frozen food storage compartment (lower)
- 15- Separator

3 Installation

Refer to the nearest Authorized Service Agent for installation of the product. To make the product ready for use, make sure that the electricity installation is appropriate before calling the Authorized Service Agent. If not, call a qualified electrician to have any necessary arrangements carried out.



Preparation of the location and electrical installation at the place of installation is under customer's responsibility.



Product must not be plugged in during installation. Otherwise, there is the risk of death or serious injury!



WARNING: Installation and electrical connections of the product must be carried out by the Authorized Service Agent. Manufacturer shall not be held liable for damages that may arise from procedures carried out by unauthorized persons.



WARNING: Prior to installation, visually check if the product has any defects on it. If so, do not have it installed. Damaged products cause risks for your safety.



Make sure that the power cord is not pinched or crushed while pushing the product into its place after installation or cleaning procedures.

3.1 Appropriate installation location



WARNING: If the door of the room where the product will be placed is too small for the product to pass, then the product's doors must be removed and the product must be turned aside to pass it through.

- Install the product where it will not be exposed to temperatures below freezing or exposed to outdoor weather conditions.
- Do place the product near a grounded electrical outlet.
- Do not place the product on materials such as rugs or carpets.
- Place the product on an even floor surface to prevent jolts.

3.2 Installing the plastic wedges

Plastic wedges are used to create the distance for the air circulation between the product and the rear wall. Insert the 2 plastic wedges onto the rear ventilation cover as illustrated in the figure. To install the wedges, remove the screws on the product and use the screws given in the same pouch with the wedges.

3.3 Electrical connection

Connect the product to a grounded outlet protected by a fuse complying with the values in the rating plate. Our company shall not be liable for any damages that will arise when the product is used without grounding in accordance with the local regulations.

- Electrical connection must comply with national regulations.
- Power cord must be within easy reach after installation.
- The voltage and allowed fuse or breaker protection are specified in the Rating Plate which is affixed to interior of the product. If the current value of the fuse or breaker in the house does not comply with the value in the rating plate, have a qualified electrician install a suitable fuse.
- The specified voltage must be equal to your mains voltage.
- Do not make connections via extension cords or multi-plugs.



WARNING: Damaged power cord must be replaced by the Authorized Service Agents.

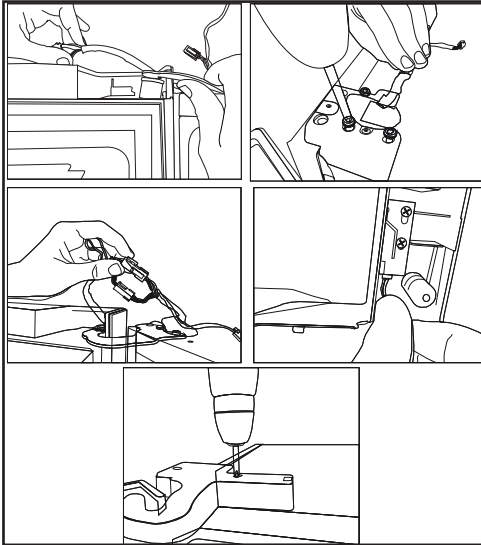


WARNING: If the product has a failure, it should not be operated unless it is repaired by the Authorized Service Agent! There is the risk of electric shock!

Installation

3.4 Adjusting the gap between the upper door

- Upper hinge group is fixed with 3 screws.
- The hinge cover is attached after the sockets are installed.
- Then the hinge cover is fixed with two screws.



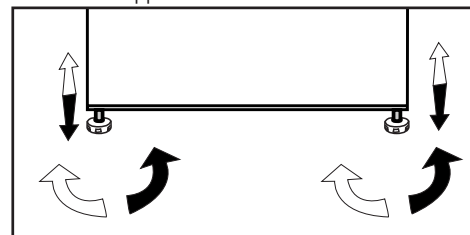
3.5 Adjusting the feet

If the product stands unbalanced after installation adjust the feet. Taking help from someone to slightly lift the refrigerator will facilitate this process.



WARNING: First unplug the product. Product must not be plugged in when adjusting the feet. There is the risk of electric shock!

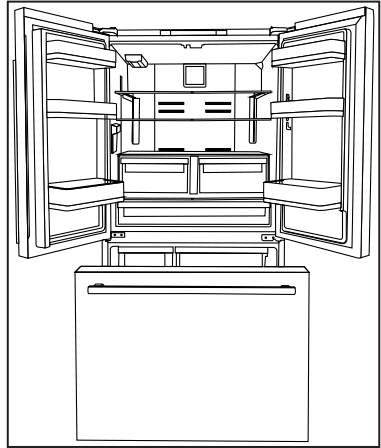
Turn the front feet to balance the product. The corner where the foot exists is lowered when you turn in the direction of arrow and raised when you turn it in the opposite direction.



3.6 Illumination lamp

Do not attempt to repair yourself but call the Authorized Service Agent if the LED illumination lamps do not go on or are out of order.

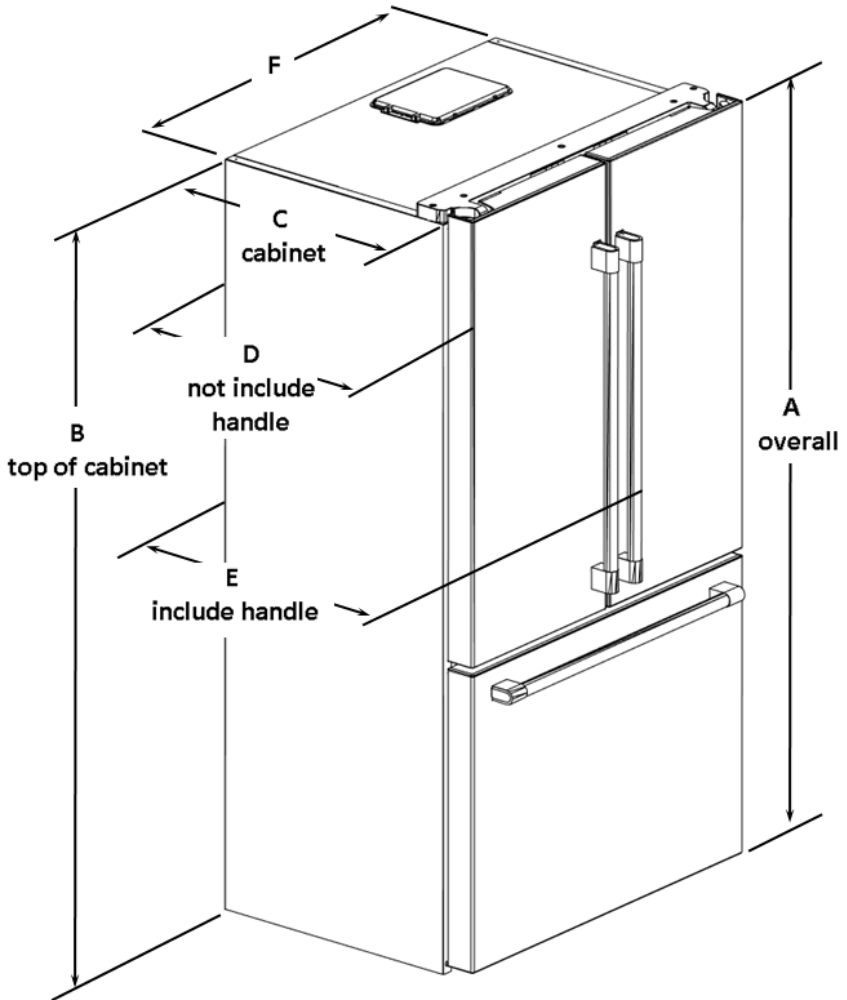
The lamp(s) used in this appliance is not suitable for household room illumination. The intended purpose of this lamp is to assist the user to place foodstuffs in the refrigerator/freezer in a safe and comfortable way.



3.7 Door open warning

An audio warning signal will be given when the door of your product is left open for 1 minute. This warning will be muted when the door is closed or any of the display buttons (if any) are pressed.

PRODUCT DIMENSIONS

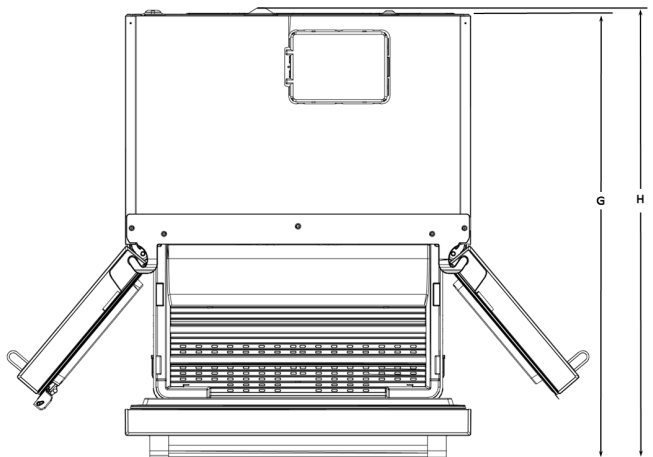


Installation

DIMENSIONS

[36" FRENCH REFRIGERATOR]

Freezer Door Open Max (Drawer)



Height-Overall "A"	Height-TopOfCabinet "B"	Depth-CabinetOnly "C" "O"	Depth-Without Handles "D"
1771mm (69,72")	1710mm (67,32")	600mm (23,62")	680,5mm (26,79")
Depth-WithHandles "E"	Width-Cabinet "F"	Depth-DrawerOpen "G"	TotalDepth-DrawerOpen "H"
737mm (29,01")	908mm (35,74")	1157mm (45,55")	1178,5mm (46,40")
Depth-Doors Open90° "I"	TotalDepth-Doors Open90° "J"	Width-Doors Open90°WithHandles "K"	Width-Doors Open90°- FromCabinetToHandle "L"
1072,6mm (42,22")	1094mm (43,07")	1059,2mm (41,70")	75,6mm (2,97")
Width-Doors Open130°- FromHandleToHandle "M"	Width-Doors Open130°- FromCabinetToHandle "N"	Depth-Doors Open130° "P"	Depth-Doors Open130° "R"
1530.2mm (41,70")	311,2mm (12,25")	391mm (15,39")	991mm (39,01")

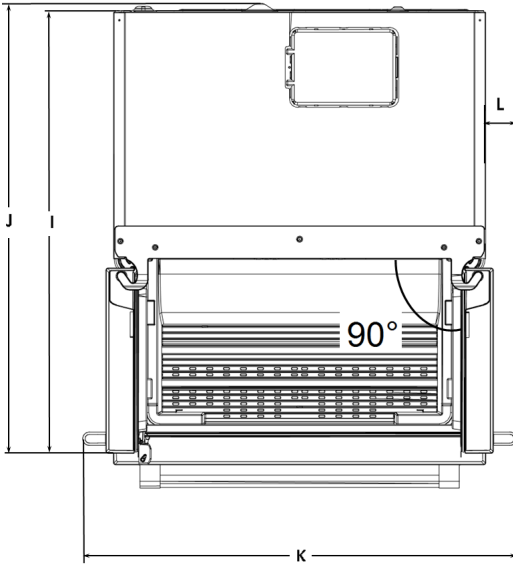
Min Clearance From the Top: 2 inches

Min Clearance From the Sides: 2 inches

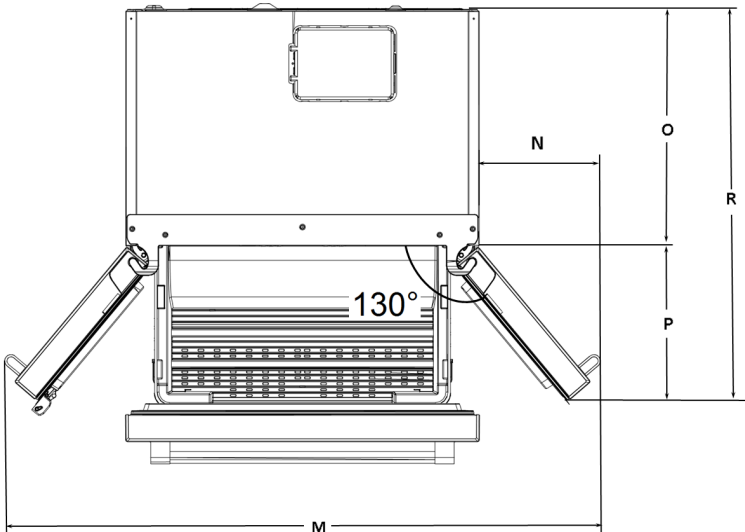
Installation

DIMENSIONS [36" FRENCH REFRIGERATOR]

Fresh Food Door Open 90°



Fresh Food Door Open 130° (Max)



Installation

3.8 Water connection

First you must connect the water hose to the refrigerator.

3.8.1 Before Installation

Make sure that you have everything necessary to ensure proper installation before proceeding, including:

Internal water filter for use inside the fridge.

3.9 Connecting the water hose to the refrigerator

1. Slip the union (B) onto the water hose (A).
2. Push the water hose downwards firmly to slip it onto the water inlet valve (C).
3. Tighten the union (C) by hand to secure it onto the water inlet valve.



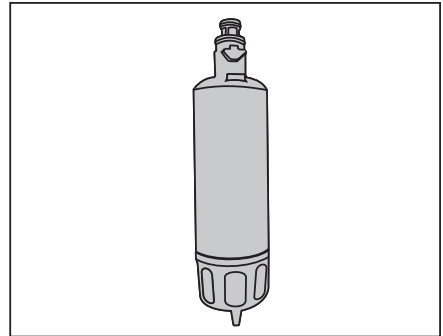
Normally, you are not required to tighten the union with a tool. However, you can use a spanner or pliers to tighten the union if there is a leakage.

3.10 Connecting the water line to the water supply

Connect the water line to a water supply valve. If a valve is not present or you are not sure, consult a qualified plumber.

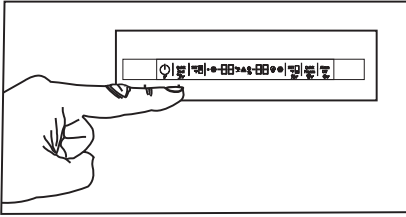
3.11 Water filter

To fit the water filter, follow the instructions below referring to the figures supplied:



Installation

3.11.1 Attaching the internal filter into the refrigerator



1. Pull the water filter cover slowly.
2. Remove the water filter bypass cover by turning it downwards.

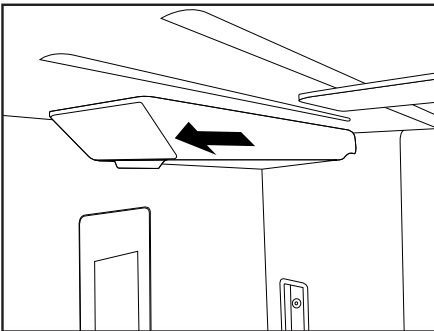


WARNING: Ensure that the Ice Off mode is enabled before removing the by-pass cover.



It is normal that a few drops of water drip after the cover has been removed.

3. Seat the water filter cover into the mechanism and push forwards to lock it in place.
4. Press **"Ice Off"** button on the display again to exit this mode.



Water filter must be replaced every 6 months. When replacing the water filter or if you will not use the filter anymore, remove it as illustrated in the figure and install the bypass cover. Make sure that the "Ice Off" mode is enabled before removing the filter.



WARNING: Water filter cleans some foreign particles in the water. It does not purify water from microorganisms.



WARNING: Ice Off button must be pressed before replacing the water filter or installing the by-pass cover.



WARNING: Unplug the product during the replacement of the filter.

3.12 Before starting to use the water/ice dispenser

- Water system of the refrigerator must be connected to the cold water line. **It must not be connected to hot water line.**
- No water may be obtained in the initial start-up of the refrigerator. Because there is air in the system, press dispenser latch for 1-2 minutes until water comes from the dispenser. Water flow may be irregular at the beginning. After the air in the system is discharged, water flow will return to normal.
- During initial use, you will have to wait approximately 12 hours for the water to cool down.
- It will take around 1-2 days for the system to produce required amount of ice.
- The first 10 glasses of water should not be consumed.
- First several glasses of water may be turbid when the filter is used for the first time. Therefore, do not consume the first several glasses of water.
- If the water dispenser is not used for a long period of time, first 1-2 glasses of water can be hot.
- If a power outage or a temporary failure occurs while the refrigerator is operating, ice can melt down a little bit and then get frozen again. In such a case, ice cubes can stick to each other. If the outage or failure prolongs, ice can melt down causing water leakage. If you experience such a problem, empty and clean the ice container.

Installation

- Ice cubes can stick to each other if they are left in the container for a long time.
- Water system installation of the refrigerator must be performed by the Authorized Service Agent.
- Water system of the product is designed to operate only with water. Do not use beverage such as soft drinks and/or juices in the water system.
- It is recommended that the water is disconnected if you will not be using the refrigerator for a long period of time due to vacation or similar reasons.
- Do not attempt to dismantle the ice container group assembly parts.
- Do not attempt to clean the ice container assembly without removing it from the refrigerator.
- When taking water from the water dispenser, remove the glass from the opening 1 second after releasing the trigger. Thus, water in the system will not drip into the drip tray.

3.13 Transportation of the product

1. Unplug the product before transporting it.
2. Remove water connections.
3. Secure the shelves, accessories, crisper and etc. in the refrigerator by adhesive tape before repackaging it.



Packaging must be tied with thick tapes or strong ropes and the rules of transportation printed on the package must be followed.



Original packaging and foam materials should be kept for future transportations.



WARNING: Packaging materials are dangerous for the children. Keep packaging materials in a safe place away from reach of the children.

4 Preparation

4.1 Things to be done for energy saving



Connecting the product to electric energy saving systems is risky as it may cause damage on the product.

- Do not leave the doors of your refrigerator open for a long time.
- Do not put hot food or drinks in your refrigerator.
- Do not overload the refrigerator. Cooling capacity will fall when the air circulation inside is hindered.
- Do not place the refrigerator in places subject to direct sunlight. Install the product at least 30 cm (12in.) away from heat sources.
- Pay attention to store your food in refrigerator in closed containers.
- You can load maximum amount of food to the freezer compartment of the refrigerator by removing the freezer compartment shelf of drawer. Declared energy consumption value of the refrigerator was determined with the freezer compartment shelf or drawer removed and with maximum amount of food loaded. There is no risk in using a shelf or drawer suitable for the shapes and sizes of the foods to be frozen.
- Thawing frozen food in refrigerator compartment will both provide energy saving and preserve the food quality.



The ambient temperature of the room where you install the refrigerator should at least be 10°C /50°F. Operating your refrigerator under cooler conditions than this is not recommended.



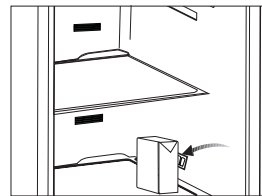
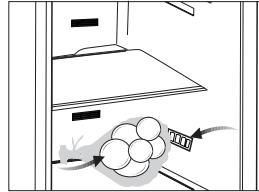
Inside of your refrigerator must be cleaned thoroughly.



If two refrigerators are to be installed side by side, there should be at least 4 cm (1.6in.) distance between them.

4.2 Recommendations for the fresh food compartment

- Do not allow the food to touch the temperature sensor in fresh food compartment. To allow the fresh food compartment keep its ideal storage temperature, sensor must not be hindered by food.
- Do not put hot food and beverages inside the product.



4.3 Initial use

Before starting to use the product, check that all preparations are made in accordance with the instructions in sections "Important instructions for safety and environment" and "Installation".

- Clean the interior of the refrigerator as recommended in the "Maintenance and cleaning" section. Check that inside of it is dry before operating it.
- Plug the refrigerator into the grounded wall outlet. When the door is opened the interior illumination will turn on.
- Run the refrigerator without putting any food for 6 hours and do not open its door unless certainly required.



You will hear a noise when the compressor starts up. The liquids and gases sealed within the refrigeration system may also give rise to noise, even if the compressor is not running and this is quite normal.

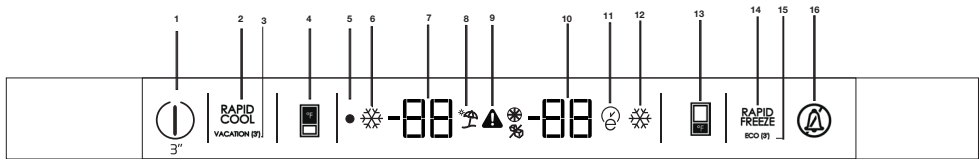


Front edges of the refrigerator may feel warm. This is normal. These areas are designed to be warm to avoid condensation.

5 Operating the product

5.1 Indicator panel

Touch-control indicator panel allows you to set the temperature and control the other functions of the refrigerator. Just press the relevant buttons for function settings.



1-On/Off function

Press the On/Off button for 3 seconds to turn off or turn on the refrigerator.

2-Quick Refrigerator Function

When you press Quick Refrigerator button, the temperature of the compartment will be colder than the adjusted values.

This function can be used for food placed in the refrigerator compartment and required to be cooled down rapidly.

If you want to cool large amounts of fresh food, it is recommended to activate this feature before putting the food into the fridge. Quick Refrigerator indicator will remain lit when the Quick Refrigerator function is enabled. To cancel this function press Quick Refrigerator button again. Quick Refrigerator indicator will turn off and return to its normal settings.

If you do not cancel it, Quick Refrigerator will cancel itself automatically after 2 hours or when the refrigerator compartment reaches to the required temperature. This function is not recalled when power restores after a power failure.

3-Vacation Function

Press the Quick Refrigerator/Vacation button for 3 seconds to activate Vacation function. "--" icon Comes on when the function is active. Function is deactivated by pressing the same button for 3 seconds again or by pressing Refrigerator set button. When vacation mode is activated, set values does not seem for fresh food cabin. Line is occurred on segments of fresh food.

When vacation mode is activated, temperature of fresh food is hotter than 50 Fahrenheit degree (10 celsius degree) so please do not keep foods in fresh food cabinet. Temperature of freezer is not affected.

4-Refrigerator Set Function

This function allows you to make the refrigerator compartment temperature setting. Press this button to set the temperature of the refrigerator compartment to 8, 7, 6, 5, 4, 3, 2 or 1°C provide 0°F temps. respectively.

5-Off Indicator

Off Indicator illuminated when the refrigerator is in "Off" mode.

6-Quick Refrigerator Indicator

This icon illuminated when the Quick Refrigerator function is active.

7-Refrigerator Compartment Temperature Setting Indicator

Indicates the temperature set for the Refrigerator Compartment.

Operating the product

8-Vacation Indicator

This icon illuminated when the Vacation function is active.

9-High Temperature Error/Warning Indicator

This icon comes on during high temperature failures should not be hyphenated.

10-Freezer Compartment

Temperature Setting Indicator Indicates the temperature set for the Freezer Compartment.

11-Eco-Extra Indicator

Eco-Extra Indicator illuminated when the Eco Extra function is active.

12-Quick Freeze Indicator

This indicator illuminates when the Quick Freezer function is active.

13-Freezer Set Function

This function allows you to make the freezer compartment temperature setting. Press this button to set the temperature of the freezer compartment to 0, -2, -4, -6, -8, -10 and -12 degrees °F respectively.

14-Quick Freeze Function

Quick Freeze indicator turns on when the Quick Freeze function is on. To cancel this function press Quick Freeze button again. Quick Freeze indicator will turn off and return to its normal settings. If you do not cancel it, Quick Freeze will cancel itself automatically after 4 hours or when the freezer compartment reaches to the required temperature. If you want to freeze large amounts of fresh food, press the Quick Freeze button before putting the food into the freezer compartment. If you press the Quick Freeze button repeatedly with short intervals, the electronic circuit protection will be activated immediately.

This function is not recalled when power restores after a power failure.

15-Eco-Extra (Special Economic Usage) Function

Press the Quick Freeze\Eco Extra button for 3 seconds to activate the Eco Extra Function. Refrigerator will start operating in the most economic mode at least 6 hours later and the economic usage indicator will turn on when the function is active. Press the Quick Freeze button for 3 seconds again to deactivate the Eco Extra Function.

16-Alarm Off

When the refrigerator door is opened for 2 minutes or when there a sensor failure, a sound alarm turns on. Alarm can be turned off by pressing "Alarm Off" button.

Sensor failure alarm will not sound until power failure. If you close the door and then open again "Door open alarm" will be activated again after 2 minutes later .

High temperature error can be turned off by pressing "Alarm Off" button. If the error conditions continue, the error will be displayed again after defined time interval.

5.2 Dual cooling system

Your refrigerator is equipped with two separate cooling systems to cool the fresh food compartment and freezer compartment. Thus, air and odor in the fresh food compartment and frozen food compartment do not get mixed. Thanks to these two separate cooling systems, cooling speed is much higher than other refrigerators.

Also additional power saving is provided since the defrosting is performed individually.

5.3 Freezing fresh food

- Wrap the food or place them in a covered container before putting them in the refrigerator.
- Hot food and beverages must cool down to the room temperature before putting them in the refrigerator.
- The food that you want to freeze must be fresh and in good quality.
- Divided the food into portions according to your family's daily or meal based consumption needs.
- Pack the food in an airtight manner to prevent them from drying even if they are going to be stored for a short time.
- Materials to be used for packaging must be tear-proof and resistant to cold, humidity, odor, oils and acids and they must also be airtight. Moreover, they must be well closed and they must be made from easy-to-use materials that are suitable for deep-freezers.

Operating the product

Freezer Compartment Setting	Refrigerator Compartment Setting	Explanations
-18°C / 0°F	4°C / 39°F	This is the normal recommended setting.
-20°C / -4°F	3°C / 37°F	These settings are recommended when the ambient temperature exceeds 30°C/86°F.
Quick Freeze	4°C / 39°F	Use when you wish to freeze your food in a short time. Your refrigerator will return to its previous mode when the process is over.
-24°C / -12°F	2°C / 35°F	Use these settings if you think that your refrigerator compartment is not cold enough because of the hot ambient conditions or frequent opening and closing of the door.
-18°C / 0°F or colder	Quick Refrigerator	Use this function when you place too much into the refrigerator compartment or when you need to cool your food quickly. It is recommended that you activate Quick Refrigerator function 4-8 hours before placing the food.

Recommended Using Temperature: FF: 4°C / 39°F Frz : -18°C / 0°F

5.4 Recommendations for preserving the frozen food

- Note the following to ensure that the high quality achieved by the frozen food manufacturer and the food retailer is maintained:
 - Put packets in the freezer as quickly as possible after purchase.
 - Make sure that contents of the package are labelled and dated.
 - Check whether the "Use By" and "Best Before" dates on the packaging are exceeded or not.

5.5 Placing the food

Freezer compartment shelves	Various frozen food such as meat, fish, ice cream, vegetables and etc.
Refrigerator compartment shelves	Food in pans, covered plates and closed containers
Refrigerator compartment door shelves	Small and packaged food or beverage (such as milk, fruit juice, beer and etc.)
Crisper	Vegetables and fruits
Fresh zone compartment	Delicatessen products (cheese, butter, salami and etc.)

5.6 Deep-freeze information

Food must be frozen as rapidly as possible when they are put in a refrigerator in order to keep them in good quality.

You can keep the freshness of food for many months (at -18°C / 0°F or lower temperatures in the deep freeze).



Divided the food into portions according to your family's daily or meal based consumption needs.



Pack the food in an airtight manner to prevent them from drying even if they are going to be stored for a short time.

Operating the product

- Frozen food must be used immediately after they are thawed and they should never be re-frozen.
- Do not freeze too large quantities of food at one time. The quality of the food is best preserved when it is frozen right through to the core as quickly as possible.
- Placing warm food into the freezer compartment causes the cooling system to operate continuously until the food is frozen solid.

Materials to be used for packaging must be tear-proof and resistant to cold, humidity, odor, oils and acids.

Foods to be frozen should not be allowed to come in contact with the previously frozen items to prevent them from getting thawed partially.



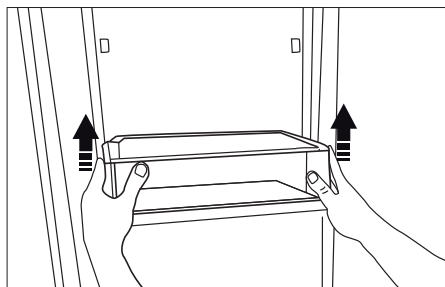
Frozen food must be used immediately after they are thawed and they should never be re-frozen.

5.7 Removing door shelves

You can remove the door shelves to clean them. Push the desired shelf up to remove it.

Do not remove the door shelf when there is food in it.

First empty the materials inside in.



5.8 Glass shelves

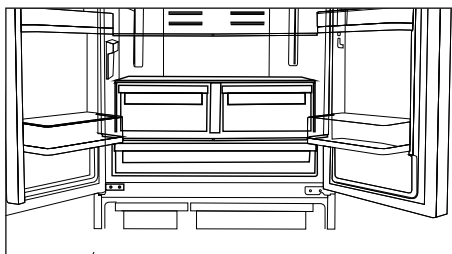
You can remove the glass shelves to clean them. Be careful when removing the shelves since they are heavy.

5.9 Chiller compartment

Chiller compartments allow you to prepare the food for freezing. You can also use these compartments to store your food at a temperature a few degrees below the refrigerator compartment.

You can increase the inner volume of your refrigerator by removing any of the chiller compartments:

1. Pull the compartment towards yourself until it stops.
2. Lift the compartment about 1 cm (0.39in) up and pull towards yourself to remove it from its seating.



5.10 Crisper

Crisper of the refrigerator is designed specially to keep the vegetables fresh without losing their humidity. For this purpose, cool air circulation is intensified around the crisper in general. Remove the door shelves that stand against the crisper before removing the crispers.

5.11 Humidity controlled crisper

Humidity rates of the vegetables and fruit are kept under control with the feature of humidity-controlled crisper and the food is ensured to stay fresh for longer.

We recommend you to place the leafy vegetables such as lettuce, spinach and the vegetables which are sensitive to humidity loss, in a horizontal manner as much as possible inside the crisper, not on their roots in a vertical position.

While the vegetables are being placed, specific gravity of the vegetables should be taken into consideration. Heavy and hard vegetables should be put at the bottom of the crisper and the lightweight and soft vegetables should be placed over.

Never leave the vegetables inside the crisper in their bags. If the vegetables are left inside their bags, this will cause them to decompose in a short period of time. In case contacting with other vegetables is not preferred for hygiene concerns, use a perforated paper and other similar packaging materials instead of a bag.

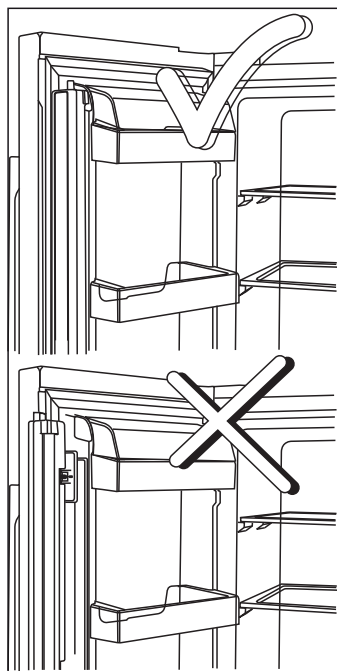
Do not place together the pear, apricot, peach, etc. and apple in particular which have a high level of generation of ethylene gas in the same crisper with the other vegetables and fruit. The ethylene gas which is emitted by these fruit may cause the other fruit to ripen faster and decompose in a shorter time.

5.12 Movable middle section

Movable middle section is intended to prevent the cold air inside the refrigerator from escaping outside. Sealing is provided when the gaskets on the door presses on the surface of the movable middle section while the refrigerator compartment doors are closed.



Movable middle section is closed when the left door of the refrigerator compartment is open. Movable middle section moves with the aid of the plastic part on the body while closing the door. Do not try to open by hand.



Operating the product

5.13 Ion

Air is ionized by means of the ionizer system in the refrigerator compartment air duct. Thanks to this system, air-borne bacteria and odouring molecules are eliminated.

5.14 Odor filter

Odor filter in the air duct of the refrigerator compartment prevents build-up of unpleasant odors in the refrigerator.

5.15 Using internal water dispenser

After connecting the refrigerator to a water source or replacing the water filter, flush the water system. Use a sturdy container to depress and hold the water dispenser lever for 5 seconds, then release it for 5 seconds. Repeat until water begins to flow. Once water begins to flow, continue depressing and releasing the dispenser paddle (5 seconds on, 5 seconds off) until a total of 5-6 gal. (15L) has been dispensed. This will flush air from the filter and water dispensing system, and prepare the water filter for use. Additional flushing may be required in some households. As air is cleared from the system, water may spurt out of the dispenser.

Allow 24 hours for the refrigerator to cool down and chill water. Dispense enough water every week to maintain a fresh supply.



After 5 minutes of continuous dispensing, the dispenser will stop dispensing water to avoid flooding. To continue dispensing, press the dispenser paddle again.

5.16 Dispensing water

Hold a container under the dispenser spout while pressing the dispenser pad. Release the dispenser pad to stop dispensing.

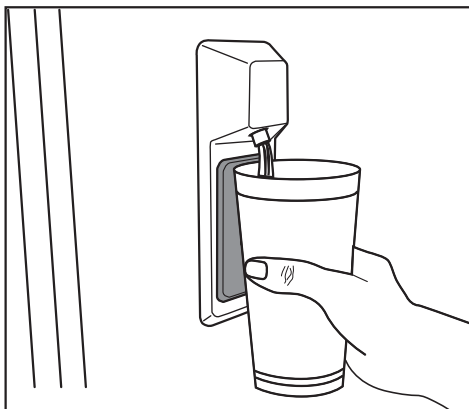


It is normal for the first few glasses of water taken from the dispenser to be warm.



If the water dispenser is not used for a long period of time, dispose of first few glasses of water to obtain fresh water.

During initial use, you will have to wait approximately 24 hours for the water to cool down.



5.17 For using water dispenser



Before using your refrigerator first time and after replacing your water filter, water dispenser may drip drops of water. To prevent water dripping or leaking from dispenser, please bleed the air from the system by dispensing 5-6 gallons (about 15 liter) of water through the water dispenser before the first use and every time after you change the water filter. This will remove any air trapped in the system and stop the water dispenser from leaking. Checking coupler position and the straightness of water line at the back of the unit will be required if there's an obstruction in water flow.



If your water dispenser is leaking just a few drops of water after you have dispensed some water, this is normal.

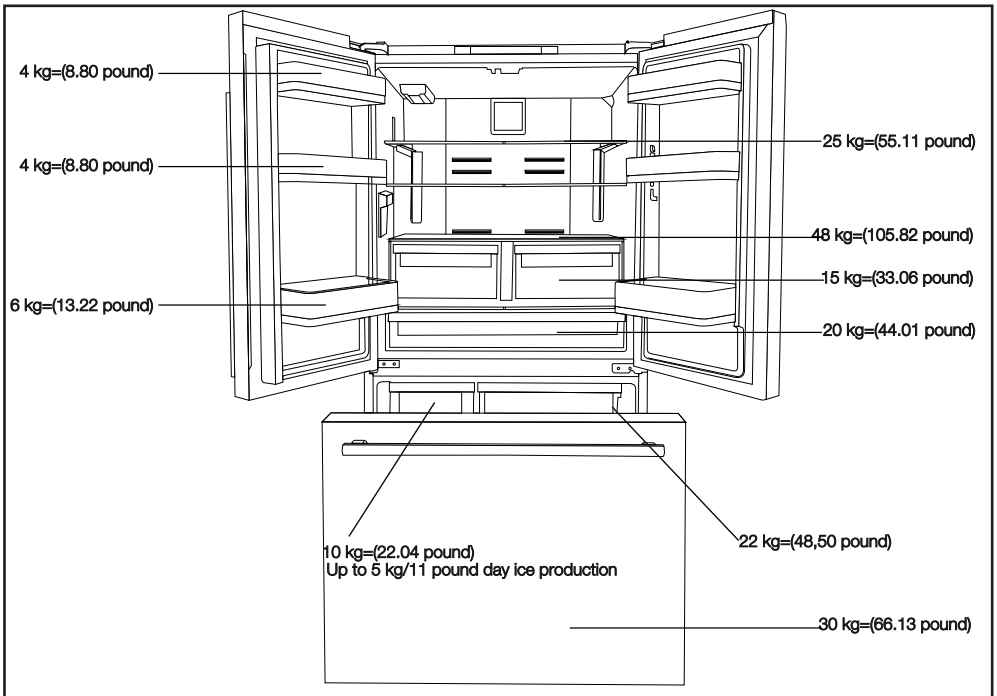
Operating the product

5.18 Refrigerator shelf weight limitations

Freshfood compartment centilever shelves, those that only have rear supports, are tested for max 25kg (55pounds) per each part.

Crispers will hold up to 15kg (33pounds) per each one. These are dynamic loads for crispers.

Ice container bin holds up to 10kg (22pounds), it is for usage without ice. Upper freezer bin will hold up to 24kg (53 pounds) and drawer holds up to 30kg (66pounds). These are dynamic loads for ice bin, upper freezer bin and drawer.



6. Maintenance and cleaning

Service life of the product extends and frequently faced problems decrease if cleaned at regular intervals.



WARNING: Unplug the product before cleaning it.

- Never use gasoline, benzene or similar substances for cleaning purposes.
- Never use any sharp and abrasive tools, soap, household cleaners, detergent and wax polish for cleaning.
- Dissolve one teaspoon of baking soda in half litre of water. Soak a cloth with the solution and wrung it thoroughly. Wipe the interior of the refrigerator with this cloth and the dry thoroughly.
- Make sure that no water enters the lamp housing and other electrical items.
- If you will not use the refrigerator for a long period of time, unplug it, remove all food inside, clean it and leave the door ajar.
- Check regularly that the door gaskets are clean. If not, clean them.
- To remove door and body shelves, remove all of its contents.
- Remove the door shelves by pulling them up. After cleaning, slide them from top to bottom to install.
- Never use cleaning agents or water that contain chlorine to clean the outer surfaces and chromium coated parts of the product. Chlorine causes corrosion on such metal surfaces

6.1 Avoiding bad odors

Materials that may cause odor are not used in the production of our refrigerators. However, due to inappropriate food preserving conditions and not cleaning the inner surface of the refrigerator as required can bring forth the problem of odor.

Pay attention to following to avoid this problem:

- Keeping the refrigerator clean is important. Food residuals, stains, etc. can cause odor. Therefore, clean the refrigerator with baking soda dissolved in water every 15 days. Never use detergents or soap.
- Keep the food in closed containers. Microorganisms spreading out from uncovered containers can cause unpleasant odors.
- Never keep the food that have expired best before dates and spoiled in the refrigerator.

6.2 Protecting the plastic surfaces

Do not put liquid oils or oil-cooked meals in your refrigerator in unsealed containers as they damage the plastic surfaces of the refrigerator. If oil is spilled or smeared onto the plastic surfaces, clean and rinse the relevant part of the surface at once with warm water.

7 Troubleshooting

Please review this list before calling the service. It will save your time and money. This list includes frequent complaints that are not arising from defective workmanship or material usage.

The refrigerator does not operate.

- The plug is not inserted into the socket correctly. >>> Insert the plug into the socket securely.
- The fuse of the socket which your refrigerator is connected to or the main fuse have blown out. >>> Check the fuse.

Condensation on the side wall of the refrigerator compartment.

- Ambient is very cold. >>> Do not install the refrigerator in places where the temperature falls below 10 °C add 0°F .
- Door has been opened frequently. >>> Do not open and close the door of refrigerator frequently.
- Ambient is very humid. >>> Do not install your refrigerator into highly humid places.
- Food containing liquid is stored in open containers. >>> Store food with liquid content in closed containers.
- Door of the refrigerator is left ajar. >>> Do not leave the doors of your refrigerator open for a long time.
- Thermostat is set to a very cold level. >>> Set the thermostat to a suitable level.

Compressor is not running

- Protective thermic of the compressor will blow out during sudden power failures or plug-out plug-ins as the refrigerant pressure in the cooling system of the refrigerator has not been balanced yet. The refrigerator will start running approximately after 6 minutes. Please call the Authorized Service Agent if the refrigerator does not start at the end of this period.
- The refrigerator is in defrost cycle. >>> This is normal for a full-automatically defrosting refrigerator. Defrosting cycle occurs periodically.
- The refrigerator is not plugged into the socket. >>> Make sure that the plug is fit into the socket.
- Temperature settings are not made correctly. >>> Select the suitable temperature value.
- There is a power outage. >>> Refrigerator returns to normal operation when the power restores.

The operation noise increases when the refrigerator is running.

- The operating performance of the refrigerator may change due to the changes in the ambient temperature. It is normal and not a fault.

Troubleshooting

The refrigerator is running frequently or for a long time.

- New product may be wider than the previous one. Larger refrigerators operate for a longer period of time.
- The room temperature may be high. >>> It is normal that the product operates for longer periods in hot ambient.
- The refrigerator might be plugged in recently or might be loaded with food. >>> When the refrigerator is plugged in or loaded with food recently, it will take longer for it to attain the set temperature. This is normal.
- Large amounts of hot food might be put in the refrigerator recently. >>> Do not put hot food into the refrigerator.
- Doors might be opened frequently or left ajar for a long time. >>> The warm air that has entered into the refrigerator causes the refrigerator to run for longer periods. Do not open the doors frequently.
- Freezer or refrigerator compartment door might be left ajar. >>> Check if the doors are closed completely.
- The refrigerator is adjusted to a very low temperature. >>> Adjust the refrigerator temperature to a warmer degree and wait until the temperature is achieved.
- Door seal of the refrigerator or freezer may be soiled, worn out, broken or not properly seated. >>> Clean or replace the seal. Damaged/broken seal causes the refrigerator to run for a longer period of time in order to maintain the current temperature.

Freezer temperature is very low while the refrigerator temperature is sufficient.

- The freezer temperature is adjusted to a very low value. >>> Adjust the freezer temperature to a warmer degree and check.

Refrigerator temperature is very low while the freezer temperature is sufficient.

- The refrigerator temperature is adjusted to a very low value. >>> Adjust the refrigerator temperature to a warmer degree and check.

Food kept in the refrigerator compartment drawers is frozen.

- The refrigerator temperature is adjusted to a very high value. >>> Adjust the refrigerator temperature to a lower value and check.

Temperature in the refrigerator or freezer is very high.

- The refrigerator temperature is adjusted to a very high value. >>> Refrigerator compartment temperature setting has an effect on the temperature of the freezer. Change the temperatures of the refrigerator or freezer and wait until the relevant compartments attain a sufficient temperature.
- Doors are opened frequently or left ajar for a long time. >>> Do not open the doors frequently.
- Door is ajar. >>> Close the door completely.
- The refrigerator is plugged in or loaded with food recently. >>> This is normal. When the refrigerator is plugged in or loaded with food recently, it will take longer for it to attain the set temperature.
- Large amounts of hot food might be put in the refrigerator recently. >>> Do not put hot food into the refrigerator.

Vibrations or noise.

- The floor is not level or stable. >>> If the refrigerator rocks when moved slowly, balance it by adjusting its feet. Also make sure that the floor is strong enough to carry the refrigerator, and level.
- The items put onto the refrigerator may cause noise. >>> Remove the items on top of the refrigerator.

Troubleshooting

There are noises coming from the refrigerator like liquid flowing, spraying, etc.

- Liquid and gas flows occur in accordance with the operating principles of your refrigerator. >>>It is normal and not a fault.

Whistle comes from the refrigerator.

- Fans are used in order to cool the refrigerator. It is normal and not a fault.

Condensation on the inner walls of refrigerator.

- Hot and humid weather increases icing and condensation. It is normal and not a fault.
- Doors are opened frequently or left ajar for a long time. >>> Do not open the doors frequently. Close them if they are open.
- Door is ajar. >>> Close the door completely.

Humidity occurs on the outside of the refrigerator or between the doors.

- There might be humidity in the air; this is quite normal in humid weather. >>> When the humidity is less, condensation will disappear.

Bad odor inside the refrigerator.

- No regular cleaning is performed. >>> Clean the inside of the refrigerator regularly with a sponge, lukewarm water or baking soda dissolved in water.
- Some containers or package materials may cause the smell. >>> Use a different container or different brand of packaging material.
- Food is put into the refrigerator in uncovered containers. >>> Keep the food in closed containers. Microorganisms spreading out from uncovered containers can cause unpleasant odors.
- Remove the foods that have expired best before dates and spoiled from the refrigerator.

The door is not closing.

- Food packages are preventing the door from closing. >>> Replace the packages that are obstructing the door.
- The refrigerator is not completely even on the floor. >>> Adjust the feet to balance the refrigerator.
- The floor is not level or strong. >>> Also make sure that the floor is level and strong enough to carry the refrigerator.

Crispers are stuck.

- The food is touching the ceiling of the drawer. >>> Rearrange food in the drawer.



WARNING: If you cannot eliminate the problem although you follow the instructions in this section, consult your dealer or the Authorized Service Agent. Never try to repair a non-functional product yourself.

If The Surface Of The Product Is Hot.

- High temperatures may be observed between the two doors, on the side panels and at the rear grill while the product is operating. This is normal and does not require service maintenance!



WARNING: If the problem persists after following the instructions in this section, contact your vendor or an Authorized Service. Do not try to repair the product.

¡Lea este manual antes de utilizar el frigorífico!

Estimado cliente,

Deseamos que use nuestro producto, que hemos fabricado en instalaciones modernas con cuidado y con meticulosos controles de calidad.

Así, le aconsejamos que lea todo el manual de instrucciones antes de utilizar el aparato. En caso de que el aparato cambie de manos, no olvide facilitar esta guía al nuevo propietario junto al aparato.

Esta guía le ayudará a utilizar su frigorífico de forma rápida y segura.

- Por favor, lea el manual de instrucciones con cuidado antes de instalar y poner en funcionamiento el aparato.
- Siga siempre las instrucciones de seguridad correspondientes.
- Mantenga el presente manual del usuario al alcance de la mano para su futura consulta.
- Por favor, lea los otros documentos incluidos con el aparato.

Tenga en cuenta que este manual de instrucciones puede servir para varios modelos del producto. Esta guía indica claramente cualquier variación de diferentes modelos.

	Información importante o consejos útiles.
	Riesgo para la vida y la propiedad.
	Existe riesgo de descargas eléctricas.
	El embalaje del producto está compuesto de materiales reciclables, de acuerdo con la Legislación Nacional sobre Medio Ambiente.

1. Instrucciones de seguridad y medio ambiente **3**

2 El frigorífico **6**

3 Instalación **7**

- 3.1 Ubicación adecuada para la instalación.7
- 3.2 Instalación de las cuñas de plástico7
- 3.3. Conexión eléctrica7
- 3.4. Ajuste de los pies.8
- 3.5. Lámpara de iluminación8
- 3.6. Aviso de puerta abierta.8
- 3.7 Conexión de agua9
- 3.7.1 Antes de la instalación.13
- 3.8. Conexión de la manguera de agua al frigorífico.13
- 3.9 Conectar el agua al frigorífico al suministro de agua.13
- 3.10 Filtro de agua.13
- 3.10.1 Colocación del filtro interno en el frigorífico.13
- 3.11 Conexión de la manguera de agua a la damajuana15
- 3.12 Antes de usar el dispensador de agua/hielo16
- 3.13 Transporte del producto16

4 Preparación **17**

- 4.1 Cosas a hacer para el ahorro de energía. .17
- 4.2 Recomendaciones para el compartimento de alimentos frescos.17
- 4.3 Uso inicial18

5 Manejo del aparato **19**

- 5.1. Panel indicador19
- 5.2 Doble sistema de refrigeración21
- 5.3 Congelación de alimentos frescos.21
- 5.4 Recomendaciones para la conservación de alimentos congelados21
- 5.5 Colocar los alimentos21
- 5.6 Información sobre la congelación22
- 5.7 Retirada de los estantes de las puertas. . .23
- 5.8 Mover la rejilla de la puerta.23
- 5.9 Estantes de cristal23
- 5.10. Compartimento de enfriamiento23
- 5.11 Compartimento para frutas y verduras . .24
- 5.12 Compartimento para verduras con control de humedad.24
(FreSHelf)24
- 5.13. Contenedor de hielo24
- 5.14 Secciones de mantequillas y quesos . . .25
- 5.15. Huevera.25
- 5.16 Sección central móvil25
- 5.17. Luz azul.25
- 5.18 Ion25
- 5.19 Filtro de olores.25
- 5.20 Utilizar un dispensador de agua interno. .26
- 5.21 Dispensar agua26
- 5.22 Utilización del dispensador de agua.26
- 5.23 Icematic27
- 5.24 Icematic y contenedor de almacenamiento de hielo27
- 5.25 Limitaciones de peso de la estantería del frigorífico28

6. Mantenimiento y limpieza **29**

- 6.1 Evitar malos olores.29
- 6.2. Protección de las superficies de plástico .29

7 Resolución de problemas **30**

1. Instrucciones de seguridad y medio ambiente

Esta sección proporciona las instrucciones de seguridad necesarias para evitar el riesgo de lesión y daños materiales. El incumplimiento de estas instrucciones puede invalidar cualquier tipo de garantía del aparato.

Finalidad prevista

	ADVERTENCIA: Asegúrese de que cuando el dispositivo está en su custodia o durante su montaje en el alojamiento, los orificios de ventilación no están cerrados.
	ADVERTENCIA: Con el fin de acelerar la operación de derretimiento del hielo, no utilice cualquier dispositivo o aparato mecánico que no es recomendado por el fabricante
	ADVERTENCIA: No dañe el circuito de fluido refrigerante.
	ADVERTENCIA: No utilice dispositivos eléctricos que no estén recomendados por el fabricante en los compartimentos del dispositivo para la conservación de alimentos.

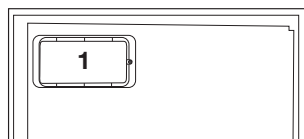
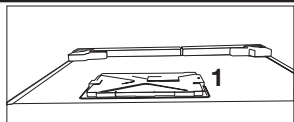
Este dispositivo está diseñado para ser utilizado en el hogar o en las siguientes aplicaciones similares:

- Con el fin de ser utilizado en las cocinas para el personal de las tiendas, oficinas y otros lugares de trabajo;
- Con el fin de ser utilizado por los clientes en casas de campo y hoteles, moteles y otros lugares de alojamiento:
- en entornos tales pensiones;
- en lugares similares que no ofrecen servicios de restauración y no es al por menor.

1.1. Seguridad general

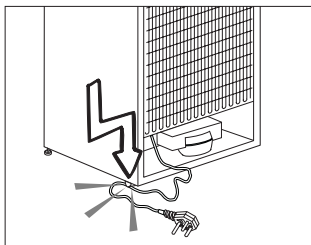
- Este aparato no debe ser utilizado por personas con discapacidades físicas, sensoriales y mentales, sin el conocimiento y la experiencia suficiente o por los niños. El aparato solo puede ser utilizado por estas personas bajo la supervisión y la instrucción de una persona responsable de su seguridad. A los niños no se les debe permitir jugar con este dispositivo.
- En caso de mal funcionamiento, desconecte el dispositivo.
- Después de desconectar, espere por lo menos 5 minutos antes de conectar de nuevo. Desenchufe el aparato cuando no esté en uso. ¡No toque el enchufe con las manos mojadas! No tire del cable para enchufar para sacarlo de la toma de la pared, hágalo tomándolo de la cabeza del enchufe.
- No enchufe el refrigerador si la toma de corriente está floja.
- Desenchufe el aparato durante la instalación, el mantenimiento, limpieza y reparación.
- Si el aparato no se utiliza durante un tiempo, desenchufe el aparato y elimine cualquier alimento en el interior.
- No utilice vapor ni materiales de limpieza al vapor para la limpieza del refrigerador y el derretimiento del hielo en el interior. ¡El vapor podría contactar las zonas electrificadas y causar un cortocircuito o una descarga eléctrica!
- ¡No lave el aparato rociando ni vertiendo agua sobre él! ¡Riesgo de descarga eléctrica!
- Nunca utilice el producto si la sección situada en la parte superior o posterior del producto que tiene las placas de circuitos impresos electrónicos en el interior está abierta (cubierta de la placa del circuito electrónico impreso) (1).

Instrucciones importantes para la seguridad y el medio ambiente



- En caso de mal funcionamiento, no utilice el aparato, ya que puede causar una descarga eléctrica. Póngase en contacto con el servicio técnico autorizado antes de hacer cualquier cosa.
- Conecte el aparato a una toma de tierra. La puesta a tierra debe ser realizada por un electricista calificado.
- Si el aparato tiene un LED de iluminación y requiere sustituirlo, póngase en contacto con el servicio técnico autorizado para sustituirlo o en caso de cualquier problema.
- ¡No toque la comida congelada con las manos mojadas! ¡Se podría adherir a sus manos!
- No coloque líquidos en botellas ni latas en el compartimento del congelador. ¡Podrían estallar!
- Coloque los líquidos en posición vertical después cerrar bien la tapa.
- No rocíe sustancias inflamables cerca del aparato, ya que podría quemarse o explotar.
- No guarde materiales ni aparatos con gases inflamables (sprays, etc.) en el refrigerador.
- No ponga recipientes que contengan líquido encima del aparato. Salpicar agua en una parte electrificada podría provocar descargas eléctricas y riesgos de incendio.

- La exposición del aparato a la lluvia, la nieve, la luz directa del sol y el viento causarán un peligro eléctrico. Cuando traslade el aparato, no tire sujetando la manija de la puerta. El mango se podría salir.
- Tenga cuidado de no atrapar ninguna parte de sus manos o de su cuerpo en cualquiera de las partes móviles en el interior del aparato.
- No se pare ni se apoye en las puertas, cajones y partes similares de la nevera. Esto causará que el aparato se caiga hacia y dañe sus partes.
- Tenga cuidado de no tropezar con el cable de alimentación.



1.1.1 Aviso HC

Si el aparato dispone de un sistema de refrigeración que utilizan gas R600a, tenga cuidado de no dañar el sistema de refrigeración y su tubería mientras se utiliza o mueva el aparato. Este gas es inflamable. Si el sistema de refrigeración está dañado, mantenga el aparato alejado de fuentes de incendio y ventile la habitación inmediatamente.



La etiqueta en la parte interior izquierda indica el tipo de gas utilizado en el aparato.

1.1.2 Para los modelos con dispensador de agua

- La presión en la entrada de agua fría sera a un máximo de 90 psi (620 kPa). Si la presión del agua es superior a 80 psi (550 kPa), utilice una válvula

Instrucciones importantes para la seguridad y el medio ambiente

limitadora de presión en el sistema de red. Si usted no sabe cómo controlar la presión del agua, pida la ayuda de un plomero profesional. Si hay riesgo de golpe de ariete en la instalación, siempre utilice un equipo de prevención contra golpes de ariete en la instalación. Consulte a un fontanero profesional si no está seguro de que no hay un efecto del golpe de ariete en la instalación.

- No instale en la entrada de agua caliente. Tome precauciones contra del riesgo de congelación en las mangueras. El intervalo de funcionamiento de la temperatura del agua debe ser un mínimo de 33°F (0.6°C) y un máximo de 100°F (38°C).
- Solo use agua potable apta para beber.

1.2. Uso previsto

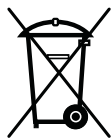
- Este aparato está diseñado para uso en el hogar. No es adecuado para un uso comercial.
- El aparato debe utilizarse para solamente para almacenar alimentos y bebidas.
- No guarde aparatos sensibles que requieran temperatura controlada (vacunas, medicamentos sensibles al calor, equipos médicos, etc.) en el refrigerador.
- El fabricante no asume ninguna responsabilidad por los daños debidos al mal uso o mal manejo.
- Se proporcionarán piezas de recambio originales durante 10 años, después de la fecha de compra del producto.

1.3. Seguridad para niños

- Guarde los materiales de embalaje fuera del alcance de los niños.
- A los niños no se les debe permitir jugar con el aparato.
- Si la puerta del aparato usa una cerradura, guarde la llave fuera del alcance de los niños.

1.4. En cumplimiento de la Directiva RAEE, y la eliminación del aparato

Este aparato cumple con la Directiva WEEE (RAEE) de la UE (2012/19/EU). Este aparato lleva el símbolo de clasificación de los equipos eléctricos y electrónicos (WEEE/RAEE).



Este aparato ha sido fabricado con piezas y materiales de alta calidad que pueden ser reutilizados y son aptos para el reciclaje. No deseche el aparato de junto con los desechos domésticos normales al final de su vida útil. Llévelo al centro de recolección para reciclaje de aparatos eléctricos y electrónicos.

Consulte a las autoridades locales para obtener información acerca de estos centros de acopio.

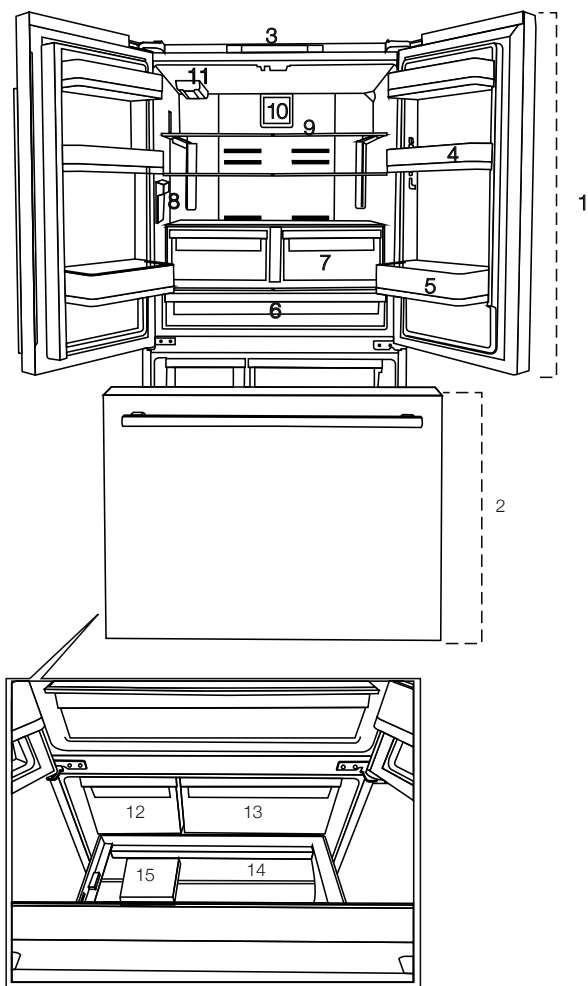
1.5. En cumplimiento de la Directiva RoHS

- El producto que ha adquirido es conforme con la directiva de la UE sobre la restricción de sustancias peligrosas (RoHS) (2011/65/UE). No contiene ninguno de los materiales nocivos o prohibidos especificados en la directiva.

1.6. Información sobre el paquete

- Los materiales de embalaje del aparato son fabricados a partir de materiales reciclables, de acuerdo con nuestra Reglamentación Nacional para el Medio Ambiente. No se deshaga de los materiales de embalaje junto con los desechos domésticos o de otro tipo. Llévelos a los puntos de recolección de material de embalaje designados por las autoridades locales.

2 El frigorífico



- 1- Compartimento frigorífico
- 2- Compartimento ButFreezer
- 3- Pantalla/panel de indicación
- 4- Estante de la puerta del compartimento refrigerador
- 5- Estante para botellas
- 6- Compartimento de enfriamiento
- 7- Cajones de frutas y verduras
- 8- Dispensador de agua interno
- 9- Estante de vidrio regulable

- 10- Ventilador
- 11- Filtro de agua
- 12- Contenedor de hielo
- 13- Compartimento de almacenamiento de alimentos congelados (superior)
- 14- Compartimento de almacenamiento de alimentos congelados (superior)
- 15- Separador

3 Instalación

Deje la instalación del aparato en manos del servicio técnico autorizado más cercano. De modo que el frigorífico esté preparado para su utilización, asegúrese de que la instalación eléctrica sea apropiada antes de llamar al servicio técnico autorizado. En caso contrario, solicite a un electricista cualificado la realización de los trabajos necesarios.

- No instale el aparato en lugares en donde la temperatura pueda ser inferior a 10°C /50°F.



En caso de que vaya a instalar dos frigoríficos uno al lado del otro, debe dejar una separación no inferior a 4 cm entre ellos.

3.2 Instalación de las cuñas de plástico

Las cuñas de plástico se utilizan para crear la distancia para la circulación del aire entre el aparato y la pared trasera. Coloque las dos cuñas de plástico en la cubierta de ventilación trasera, como se muestra en la figura. Para ello, retire los tornillos de la cubierta y utilice los tornillos que encontrará en la bolsa de las cuñas.

3.3. Conexión eléctrica

Conecte el aparato a un enchufe provisto de toma de tierra y protegido por un fusible conforme a los valores indicados en placa de características. Nuestra empresa no se hará responsable de daños provocados por el uso del aparato sin una toma de tierra conforme a las normativas locales.

- Las conexiones eléctricas deben cumplir con las normativas nacionales.
- Tras la instalación, el enchufe del cable de alimentación debe quedar al alcance de la mano.
- La tensión y la protección por fusible o disyuntor permitida se indican en la placa de características, que se encuentra adherida en el interior del aparato. Si el valor actual del fusible o disyuntor de la vivienda no cumple con el valor de la placa de características, solicite a un electricista cualificado la instalación de un fusible adecuado.
- La tensión especificada debe corresponder a la tensión de la red eléctrica.
- No utilice cables de extensión ni enchufes múltiples para realizar la conexión eléctrica.



ADVERTENCIA: Deje en manos de un servicio técnico autorizado la sustitución de un cable de alimentación dañado.



La preparación de la ubicación y la instalación eléctrica son responsabilidad del cliente.



El aparato no debe estar enchufado durante la instalación. De lo contrario, podría sufrir lesiones graves o mortales!



ADVERTENCIA: La instalación y las conexiones eléctricas del aparato deben dejarse en manos de servicio técnico autorizado. El fabricante no se hará responsable de los posibles daños derivados de la realización de dichos procedimientos por parte de personas no autorizadas.



ADVERTENCIA: Antes de proceder a la instalación, compruebe visualmente si el aparato presenta algún defecto. En caso afirmativo, no lo instale. Los aparatos dañados pueden poner en peligro su seguridad.



Asegúrese de que el cable de alimentación no que atrapado o aplastado mientras empuja el aparato a su posición tras la instalación o limpieza.

3.1 Ubicación adecuada para la instalación



ADVERTENCIA: Si la puerta de la habitación en la que se va a instalar el aparato es demasiado pequeña, deberá desmontar las puertas del aparato e inclinarlo lateralmente para que pase por la puerta.

- Elija un lugar en el que pueda usar el aparato con comodidad.
- No coloque el aparato sobre objetos tales como alfombras o moquetas.
- Coloque el aparato sobre una superficie lisa para evitar sacudidas.



ADVERTENCIA: Si el aparato presenta alguna anomalía, no lo use hasta que no haya sido reparado por un servicio técnico autorizado. ¡Existe riesgo de descargas eléctricas!

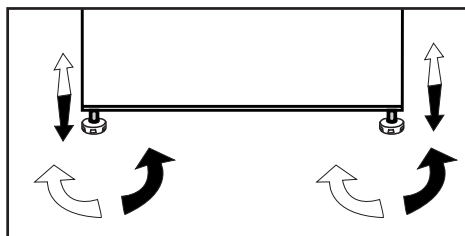
3.4. Ajuste de los pies

Si el aparato no queda equilibrado tras su instalación, ajuste las patas. Le será más fácil realizar esta operación si le pide a alguien que levante ligeramente el frigorífico.



ADVERTENCIA: En primer lugar, desenchufe el frigorífico. Mantenga el aparato desenchufado mientras ajusta las patas. ¡Existe riesgo de descargas eléctricas!

Gire las patas delanteras para equilibrar el aparato. La esquina correspondiente al pie que está manipulando descenderá al girar el pie en la dirección de la flecha y se elevará al girarlo en la dirección opuesta.

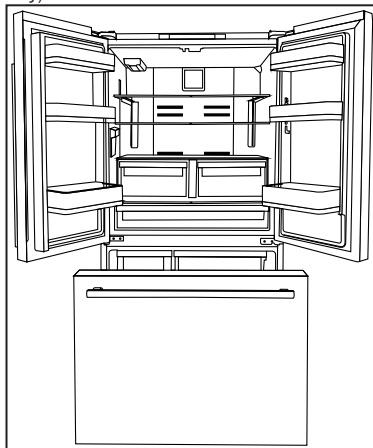


3.5. Lámpara de iluminación

No intente realizar la reparación usted mismo; llame a un servicio técnico autorizado si las lámparas LED no se iluminan o no funcionan. La(s) luz(es) usadas en este aparato no son aptas para la iluminación de las habitaciones del hogar. El fin previsto de la luz es ayudar al usuario a colocar alimentos en el frigorífico/congelador de una manera segura y cómoda.

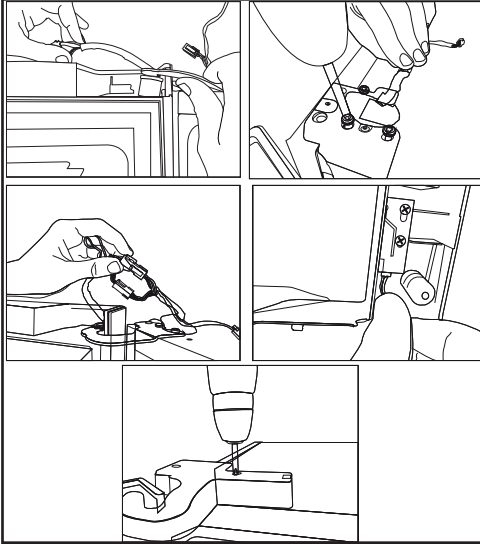
3.6. Aviso de puerta abierta (Esta función puede variar dependiendo de la puerta del electrodoméstico y es posible que no exista en algunos modelos.)

El frigorífico emitirá una señal acústica de aviso cuando la puerta del aparato permanezca abierta durante 1 minuto. Esta advertencia quedará silenciada cuando se cierre la puerta o se pulse cualquiera de los botones de la pantalla (si los hay).



Instalación

- El grupo de bisagra superior se fija con 3 tornillos.
- La tapa de la bisagra se fija después de instalar los enchufes.
- A continuación, la cubierta de la bisagra se fija con dos tornillos.



3.7 Conexión de agua

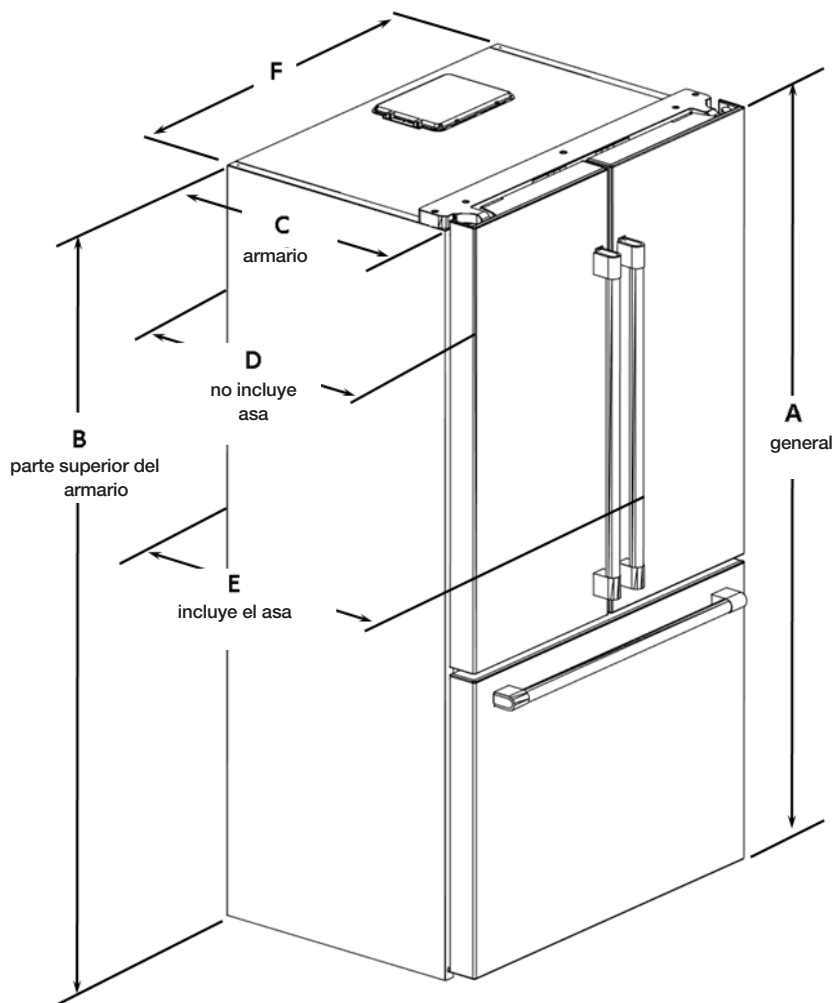
Dependiendo del modelo del frigorífico, puede conectarlo a un recipiente o a una conexión de agua. En primer lugar, conecte la manguera del agua al frigorífico.

	Si utiliza un recipiente, deberá utilizar una bomba separada.
	ADVERTENCIA: Si utiliza una bomba con el frigorífico, deberán estar desenchufados durante la conexión.
	Las piezas siguientes pueden no estar incluidas con el aparato, porque no son necesarias cuando se utiliza un recipiente.

Compruebe que se hayan incluido las piezas siguientes con el aparato:

Filtro de agua externo. (Si hay una conexión a recipiente, no es necesario usar un filtro de agua.)

DIMENSIONES DEL PRODUCTO

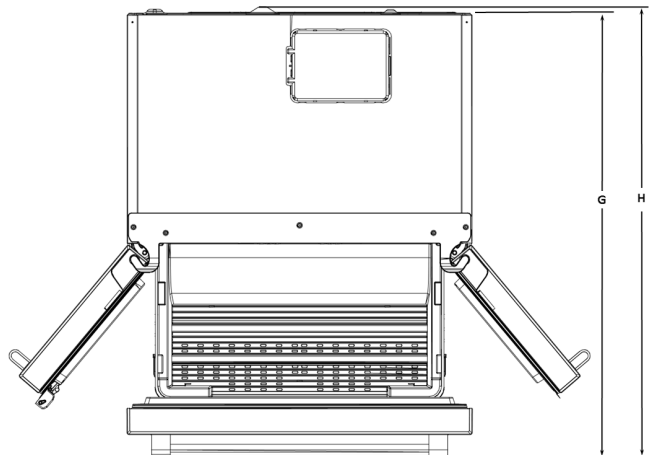


Instalación

DIMENSIONES

[36" FRIGORÍFICO FRANCÉS]

Indicador de apertura máxima de la puerta del congelador (Cajón)



Altura-general «A»	Altura-Parte superior de la caja «B»	Caja fonda sólo «C» «O»	Profundidad-Sin asas «D»
1771mm (69,72")	1710mm (67,32")	600mm (23,62")	680,5mm (26,79")
Profundidad-ConAsas «E»	Anchura-Armario "F"	Profundidad-cajónabierto «G»	Profundidad total-cajón abierto «H»
737mm (29,01")	908mm (35,74")	1157mm (45,55")	1178mm (46,40")
Profundidad-Puertas abiertas90° "I"	Profundidad total-puertas abiertas90°"J"	Anchura- Puertas abierta Abiertas90°conAsas «K»	Anchura-Puertas abiertas 90° Desde el armario hasta el asa «L»
1072,6 mm (42,22")	1094mm (43,07")	1059,2mm (41,70")	75,6mm (2,97")
Anchura-Puertas abiertas 130° desde el asa hasta el asa «M»	Anchura-Puertas 3 por 130°-Desde el armario hasta el asa «N»	Las puertas fondas abren hasta 130° "p"	Las puertas fondas abren hasta 130° "p"
1530.2mm(41,70")	311,2mm (12,25")	391mm (15,9")	991mm (39,1")

Espacio mínimo en la parte superior: 2 pulgadas

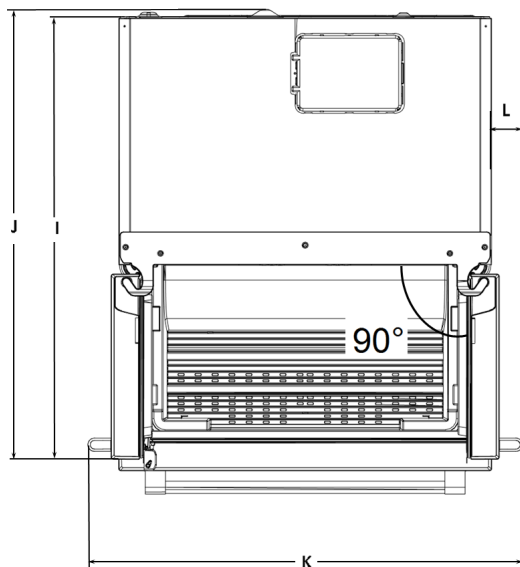
Espacio mínimo en los laterales: 2 pulgadas

Instalación

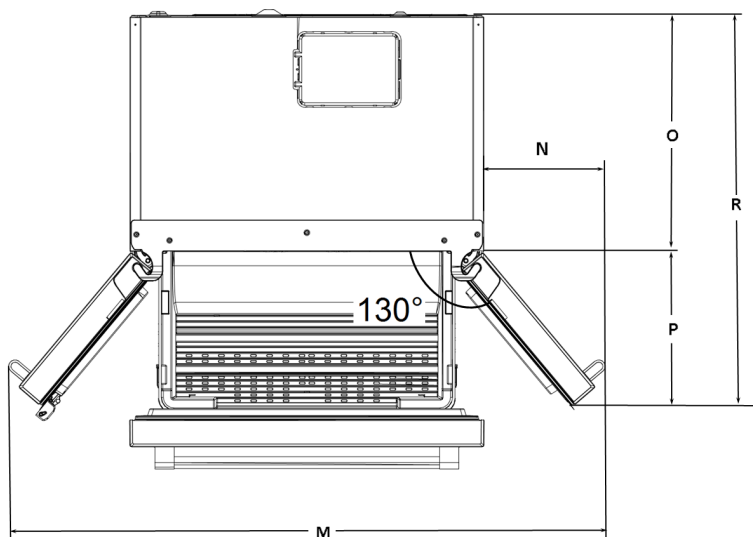
DIMENSIONES

[36" FRIGORÍFICO FRANCÉS]

La puerta para alimentos frescos abre hasta 90°



La puerta para alimentos frescos abre hasta 130° (Máx)

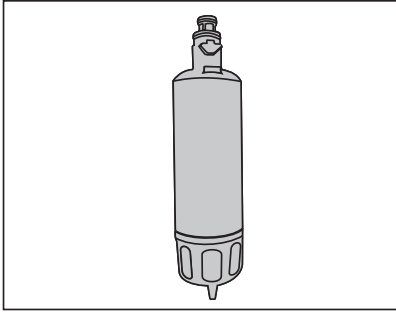


Instalación

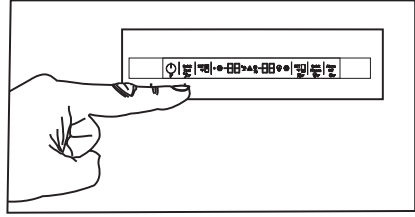
3.7.1 Antes de la instalación

Asegúrese de que tiene todo lo necesario para garantizar la correcta instalación antes de proceder, incluyendo:

El aparato incluye un filtro de agua interno para usarlo dentro de la nevera. El número de pieza del filtro es 4918450200 y puede usarlo cuando solicite filtros de recambio.



3.10.1 Colocación del filtro interno en el frigorífico



1. Tire del filtro de agua con cuidado.
2. Retire la tapa de derivación del filtro de agua girándola hacia abajo.

3.8. Conexión de la manguera de agua al frigorífico

1. Inserte la unión (B) en la manguera del agua (A).
2. Empuje la manguera del agua hacia abajo con fuerza para que se introduzca en la válvula de entrada de agua (C).
3. Apriete el racor (C) manualmente para fijarlo en la manguera de entrada de agua.



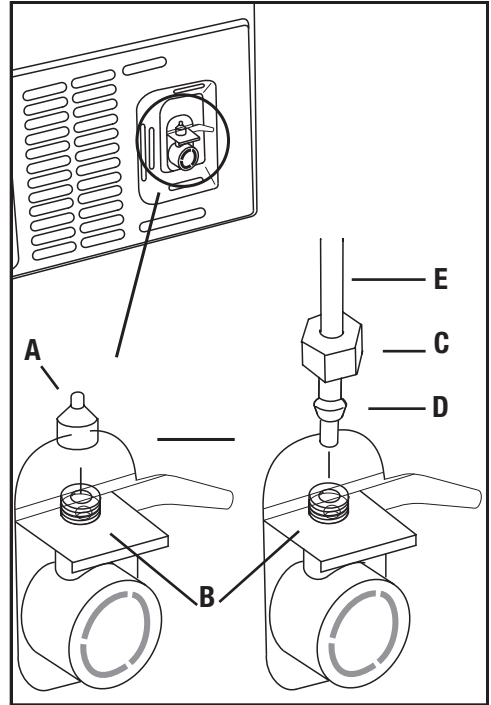
Normalmente, no se necesita una herramienta para apretar el racor. Sin embargo, puede utilizar una llave o alicate para apretar el racor si hay una fuga.

3.9 Conectar el agua al frigorífico al suministro de agua

Conectela línea de agua al frigorífico a una válvula de suministro. En caso de que no haya esta válvula no esté presente o si tiene alguna duda, consulte a un fontanero cualificado.

3.10 Filtro de agua (en algunos modelos)

Su frigorífico puede estar equipado con un filtro interno o externo, dependiendo del modelo. Para la instalación del filtro de agua, siga las siguientes instrucciones y consulte las correspondientes ilustraciones:



Instalación



ADVERTENCIA: Asegúrese de que el modo "Ice Off" (no hielo) esté activado antes de retirar la cubierta de derivación.



Es normal que tras retirar la cubierta se produzca un ligero goteo.



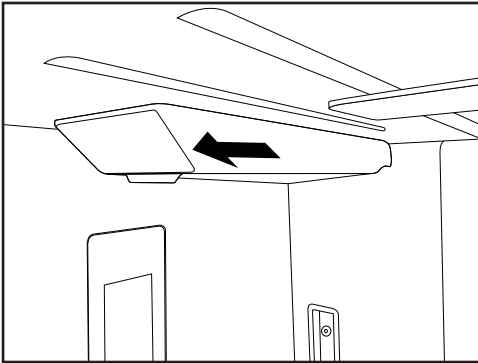
ADVERTENCIA: Asegúrese de que el modo "Ice Off" (no hielo) esté activado antes de retirar la cubierta de derivación.



Es normal que tras retirar la cubierta se produzca un ligero goteo.

3. Apoye la tapa del filtro de agua en el mecanismo y empuje hacia delante para colocarla en su posición.

4. Pulse el botón **"Ice Off"** (no hielo) en la pantalla para salir de este modo.



3. Apoye la tapa del filtro de agua en el mecanismo y empuje hacia delante para colocarla en su posición.

4. Pulse el botón **"Ice Off"** (no hielo) en la pantalla para salir de este modo.



El filtro de agua debe sustituirse cada 6 meses. Cuando sustituya el filtro de agua, o si no va a utilizarlo de nuevo, retírelo como se muestra en la figura e instale la tapa de derivación. Asegúrese de que el modo "Ice Off" (no hielo) está activo antes de retirar el filtro de agua.



ADVERTENCIA: El filtro de agua sirve para eliminar algunas partículas extrañas del agua. No purifica el agua de microorganismos.



ADVERTENCIA: El botón **Ice Off** (no hielo) debe estar siempre pulsado durante la operación de sustitución del filtro de agua o la instalación de la tapa de derivación.



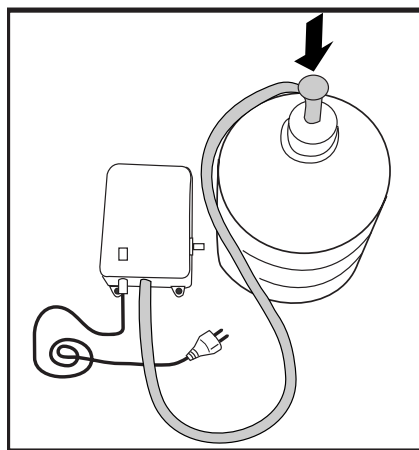
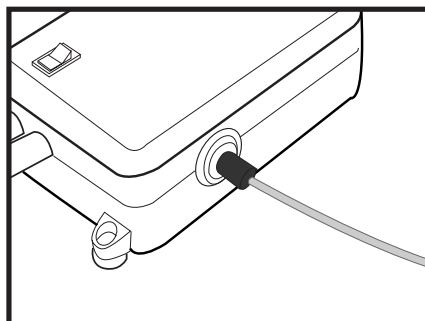
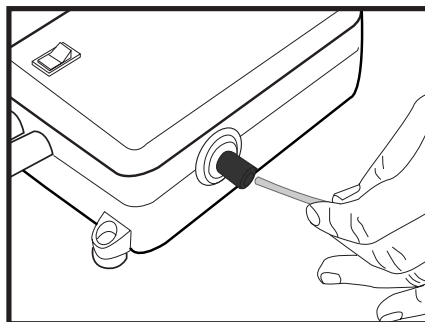
ADVERTENCIA: Desenchufe el aparato durante la sustitución del filtro.

3.11 Conexión de la manguera de agua a la damajuana

(en algunos modelos)

Para la conexión del suministro de agua entre el frigorífico y el recipiente, deberá utilizar una bomba de agua. Siga las siguientes instrucciones tras conectar al frigorífico un extremo de la manguera de agua que sale de la bomba.

1. Complete la conexión empujando el otro extremo de la manguera de agua en la entrada de la manguera de agua de la bomba.
2. Coloque y fije la manguera de la bomba en la damajuana.
3. Una vez realizada la conexión, enchufe y ponga en marcha la bomba.



Cuando la bomba se ponga en funcionamiento, espere 2-3 minutos hasta alcanzar la eficacia necesaria.



También puede consultar el manual de la bomba para realizar la conexión de agua.



No es necesario utilizar un filtro de agua con el recipiente.

3.12 Antes de usar el dispensador de agua/hielo

- Si la presión del agua es inferior a 1 bar o si se utilizará un recipiente, debe utilizarse una conexión aparte.
- El sistema de agua del frigorífico debe conectarse al conducto del agua fría. **No debe conectarse al conducto del agua caliente.**
- Es posible que el dispensador no suministre agua al utilizar por primera vez el frigorífico. Ello se debe a la presencia de aire en el sistema. Para descargar el aire del sistema, pulse la palanca del dispensador en periodos de 1-2 minutos hasta que salga agua por el dispensador. Al principio puede que el flujo de agua sea irregular. Cuando haya descargado el aire del sistema, el agua fluirá con normalidad.
- Durante el uso inicial, deberá esperar aproximadamente 12 hasta que el agua se enfríe.
- Se necesitarán aproximadamente 1-2 días para que el sistema produzca la cantidad necesaria de hielo.
- Los primeros diez vasos de agua no deben beberse.
- El agua de los primeros vasos puede estar turbia cuando sea usada el filtro por primera vez. Por lo tanto, no consuma los primeros vasos de agua.
- Si no ha utilizado el dispensador de agua durante un periodo de tiempo prolongado, el agua de los dos primeros vasos podría estar caliente.
- Si se produce un corte de suministro o un fallo temporal con el frigorífico en funcionamiento, puede fundirse el hielo ligeramente, y volverá a congelarse. En ese caso, los cubitos de hielo podrían adherirse. Si el corte de suministro o el fallo se prolongan, el hielo puede fundirse y causar una fuga de agua. Si esto ocurriese, vacíe y limpie el recipiente del hielo.
- Los cubitos de hielo podrían adherirse si los deja en el recipiente durante mucho tiempo.
- La instalación del sistema de agua del frigorífico deberá ser realizada por el servicio técnico autorizado.

- Si el aparato va a conectarse a la red de suministro de agua, asegúrese de que sea agua potable.
- El sistema de agua de este aparato se ha diseñado para que funcione sólo con agua. No utilice bebidas, como refrescos y/o zumos, en el sistema de agua.
- Se recomienda desconectar la conexión de agua si no va a utilizar el frigorífico durante un periodo de tiempo prolongado, por ejemplo, si va a estar de vacaciones o por razones similares.
- No intente desmontar las piezas del conjunto del recipiente del hielo.
- No intente limpiar el conjunto del recipiente del hielo sin retirarlo del frigorífico.
- Cuando sirva agua del dispensador, retire el vaso 1 segundo después de soltar el accionador. De este modo, no goteará el agua del sistema en la bandeja.

3.13 Transporte del producto

1. Desenchufe el aparato antes de su transporte.
2. Suelte las conexiones de agua.
3. Fije los estantes, accesorios, cajón de verduras, etc. en el interior del frigorífico con cinta adhesiva antes de volver a embalarlo.



Encinte el frigorífico una vez embalado con cinta gruesa o fíjelo con cuerdas resistentes. Siga las reglas de transporte que encontrará impresas en el propio embalaje.



Guarde el embalaje original para futuros traslados.



ADVERTENCIA: Los materiales de embalaje son peligrosos para los niños. Guarde los materiales de embalaje en lugar seguro, lejos del alcance de los niños.

4 Preparación

4.1 Cosas a hacer para el ahorro de energía



El aparato podría sufrir daños si se conecta a sistemas de ahorro de energía.

- No deje las puertas del frigorífico abiertas durante periodos largos de tiempo.
- No introduzca alimentos o bebidas calientes en el frigorífico.
- No sobrecargue el frigorífico. Se reducirá la capacidad de refrigeración si se obstaculiza la circulación del aire en el interior.
- No coloque el frigorífico en lugares expuestos a la luz solar directa. Instale el aparato a una distancia no inferior de 30 cm de fuentes de calor como placas, hornos, radiadores y estufas y una distancia no inferior a 5 cm de cualquier horno eléctrico.
- Procure conservar los alimentos en el frigorífico en recipientes cerrados.
- Puede cargar la cantidad máxima de alimentos en el compartimento del congelador retirando el estante del cajón. El valor del consumo de energía declarado del frigorífico se ha determinado con el estante o cajón del compartimento congelador retirado y con la carga máxima de alimentos. No existe ningún riesgo en la utilización de un estante o cajón adecuado para las formas o tamaños de los alimentos que se van a congelar.
- Descongele los alimentos congelados en el compartimento frigorífico; ahorrará energía y preservará la calidad de los alimentos.



La temperatura ambiente de la estancia donde instale el frigorífico no será inferior a 10°C /50°F No se recomienda utilizar el frigorífico en condiciones más frías.



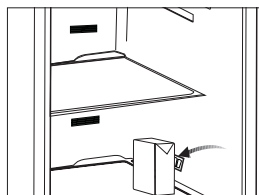
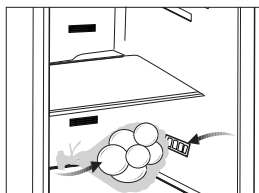
Limpie a conciencia el interior del frigorífico.



En caso de que vaya a instalar dos frigoríficos uno al lado del otro, debe dejar una separación no inferior a 4 cm entre ellos.

4.2 Recomendaciones para el compartimento de alimentos frescos

- No permita que los alimentos estén en contacto con el sensor de temperatura del compartimento de alimentos frescos. Para que el compartimento de alimentos frescos mantenga la temperatura ideal de conservación, evite que los alimentos obstruyan el sensor de temperatura.
- No deposite alimentos o bebidas calientes en el interior del frigorífico.



4.3 Uso inicial

Antes de empezar a utilizar este aparato, compruebe que se han realizado todas las preparaciones indicadas en las secciones "Instrucciones importantes sobre seguridad" e "Instalación".

- Limpie el interior del frigorífico de la forma recomendada en la sección "Mantenimiento y Limpieza". Compruebe que el interior esté seco antes de comenzar a utilizarlo.
- Enchufe el frigorífico a una toma de corriente dotada de toma de tierra. Cuando se abre la puerta, la luz interior se enciende.
- Mantenga el frigorífico en funcionamiento durante 6 horas sin alimentos en su interior y no abra la puerta si no es estrictamente necesario.



Se oye un ruido cada vez que el compresor se pone en funcionamiento. Los líquidos y los gases contenidos en el sistema de refrigeración pueden también generar ruidos, incluso aunque el compresor no esté funcionando, lo cual es normal.

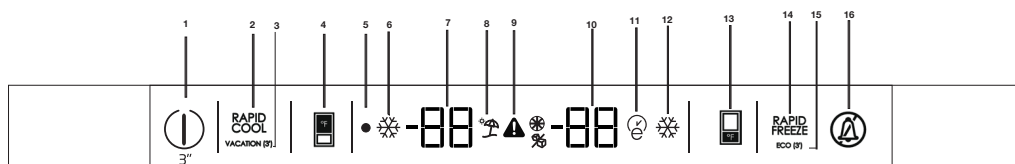


Es posible que las aristas delanteras del aparato se noten calientes al tacto, Esto es normal. Estas zonas deben permanecer calientes para evitar la condensación.

5 Manejo del aparato

5.1. Panel indicador

El panel indicador de control táctil le permite ajustar la temperatura y controlar las demás funciones relacionadas con el aparato sin necesidad de abrir la puerta del frigorífico. Basta con pulsar el botón correspondiente para ajustar la temperatura.



1-Función de encendido/apagado:

Mantenga pulsado el botón de encendido/apagado durante 3 segundos para encender o apagar el frigorífico.

2-Función de refrigeración rápida

Al pulsar el botón de refrigeración rápida, la temperatura del compartimiento descenderá por debajo del valor fijado.

Esta función puede utilizarse para enfriar con rapidez alimentos depositados en el compartimento frigorífico.

Si desea enfriar grandes cantidades de alimentos frescos, se recomienda activar esta función antes de depositar los alimentos en el frigorífico. El indicador de refrigeración rápida permanecerá encendido mientras la función de refrigeración rápida esté activa. Para cancelar esta función pulse nuevamente el botón de refrigeración rápida. El indicador de refrigeración rápida se apagará y el electrodoméstico volverá a sus valores normales. Si no cancela manualmente la función de refrigeración rápida, ésta se cancelará automáticamente transcurridas dos horas o bien una vez el compartimento frigorífico alcance la temperatura deseada. En caso de corte del fluido eléctrico, esta función no se activará automáticamente al restablecerse el suministro eléctrico.

3-Función de vacaciones

Pulse el botón de refrigeración rápida/vacaciones y manténgalo pulsado durante 3 segundos para activar la función Vacaciones. El icono se iluminará cuando la función esté activa. La función se desactiva al volver a mantener el mismo botón pulsado durante 3 segundos o al pulsar el botón de ajuste del frigorífico.

Cuando se active la función de Vacaciones, aparecerá una línea en los valores de configuración del frigorífico de la pantalla.

Cuando active el modo de vacaciones, la temperatura de los alimentos frescos será superior a los 50 grados Fahrenheit (10 grados centígrados). Por lo tanto, no conserve los alimentos en el compartimento para alimentos frescos. La temperatura del congelador no se verá afectada.

4- Botón de ajuste del frigorífico

Esta función le permite ajustar la temperatura del compartimento frigorífico. Pulse este botón para ajustar la temperatura del compartimento frigorífico a 47, 45, 43, 41, 39, 37, 35 o 33 °C respectivamente.

Funcionamiento del aparato

5-Indicador de apagado

El indicador de apagado se ilumina cuando el frigorífico está apagado.

6-Indicador de refrigeración rápida

Este icono se ilumina cuando función de refrigeración rápida está activa.

7-Indicador de ajuste de temperatura del compartimento frigorífico

Indica la temperatura ajustada para el compartimento frigorífico.

8-Indicador de la función de vacaciones

Este icono se ilumina cuando función de vacaciones está activa.

9- Indicador de error de temperatura / aviso de error

Este icono se enciende en caso de fallo de alta temperatura o aviso de error.

10-Compartimento congelador

Indicador de ajuste de temperatura Indica la temperatura ajustada para el compartimento congelador.

11-Indicador eco-extra

El indicador de Eco-Extra se ilumina cuando la función Eco Extra está activa.

12-Indicador de congelación rápida

Este icono se ilumina cuando función de congelación rápida está activa.

13-Función de ajuste del congelador

Esta función le permite ajustar la temperatura del compartimento congelador. Pulse este botón para ajustar la temperatura del compartimento congelador a 0, -2, -4, -6, -8, -10 y -12, respectivamente.

14-Indicador de congelación rápida

El indicador de congelación rápida se ilumina cuando la función de congelación rápida está activa. Para cancelar esta función pulse de nuevo el botón de congelación rápida. El indicador de congelación rápida se apagará y el frigorífico volverá a sus valores normales. Si no cancela manualmente la función de congelación rápida, ésta se cancelará automáticamente transcurridas cuatro horas o bien una vez el compartimento congelador alcance la temperatura deseada.

Si desea congelar grandes cantidades de alimentos frescos, pulse el botón de congelación rápida antes de introducir los alimentos en el compartimento congelador. Si pulsa el botón de congelación rápida repetidamente a intervalos breves, se activará inmediatamente la protección del circuito electrónico.

En caso de corte del fluido eléctrico, esta función no se activará automáticamente al restablecerse el suministro eléctrico.

15- Función Eco-Fuzzy (modo especial de ahorro)

Mantenga el botón de congelación rápida/Eco Extra pulsado durante 3 segundos para activar la función Eco Extra. El frigorífico comenzará a funcionar en el modo más económico durante un mínimo de 6 horas y el indicador de uso económico se iluminará cuando esta función esté activa. Pulse de nuevo el botón de congelación rápida y manténgalo pulsado durante 3 segundos para desactivar la función Eco Fuzzy.

16- Desconexión de la alarma

Cuando la puerta del frigorífico se mantenga abierta durante 2 minutos o en caso de corte del fluido eléctrico, sonará una señal acústica. La señal acústica puede apagarse pulsando el botón "Desactivar señal acústica".

La señal acústica de fallo de sensor no sonará hasta la interrupción de la corriente eléctrica. Si cierra la puerta y la vuelve a abrir, la señal acústica de puerta abierta se activará de nuevo 2 minutos más tarde. «El error de alta temperatura se puede apagar presionando el botón "Alarm Off".

Si las condiciones de error continúan, el error se mostrará de nuevo después del intervalo de tiempo definido».

Funcionamiento del aparato


5.2 Doble sistema de refrigeración

Este frigorífico está equipado con dos sistemas de enfriamiento separados para enfriar el compartimento de alimentos frescos y el compartimento del congelador. Así, el aire y el olor en el compartimento de alimentos frescos y el de los alimentos congelados no se mezclan. Gracias a estos dos sistemas de enfriamiento independientes, la velocidad de enfriamiento es muy superior a la de otros frigoríficos. Además, se obtiene un ahorro de energía adicional porque el deshielo se realiza individualmente.

5.3 Congelación de alimentos frescos

- Envuelva los alimentos o colóquelos en un recipiente tapado antes de ponerlos en el frigorífico.
- Los alimentos y bebidas calientes deben dejarse enfriar hasta alcanzar la temperatura ambiente antes de introducirlos en el frigorífico.
- Los alimentos que vaya a congelar deben ser frescos y estar en buen estado.
- Divida los alimentos en porciones basadas en las necesidades de consumo alimenticias de la familia.
- Empaquete los alimentos herméticamente para evitar que se sequen, incluso si van a guardarse durante poco tiempo.
- Los materiales utilizados para empaquetar alimentos deben ser a prueba de desgarrones y resistentes al frío, a la humedad, los olores, los aceites y los ácidos, y además deben ser herméticos. También deben estar bien cerrados y estar hechos de materiales fáciles de utilizar y aptos para su uso en congeladores.
- Consuma inmediatamente los alimentos recién descongelados. Nunca los vuelva a congelar.
- No congele cantidades demasiado grandes de una sola vez. La calidad de los alimentos se conserva mejor si la congelación alcanza su interior lo antes posible.
- Si se introducen alimentos calientes en el compartimento congelador, se obliga al sistema de enfriamiento a funcionar de forma continua hasta congelarlos totalmente.

5.4 Recomendaciones para la conservación de alimentos congelados

- Los alimentos congelados que ha adquirido deben almacenarse de acuerdo con las instrucciones de su fabricante respecto de la conservación en un compartimento congelador de  (4 estrellas).
- Si desea garantizar el mantenimiento de la calidad de los alimentos congelados proporcionada por el fabricante y por el comercio, tenga en cuenta lo siguiente:
 1. Coloque los paquetes de alimentos congelados en el congelador lo antes posible tras su compra.
 2. Asegúrese de que los contenidos del paquete tengan etiqueta y fecha.
 3. Compruebe si las fechas de consumo preferente y caducidad de los envases han vencido o no.

5.5 Colocar los alimentos

Estantes del compartimento congelador	Alimentos congelados diversos tales como carnes, pescados, helados, verduras, etc.
Huevera	Huevos
Estantes del compartimento frigorífico	Alimentos en cazuelas, platos cubiertos y recipientes cerrados
Estantes de la puerta del compartimento frigorífico	Alimentos o bebidas en envases pequeños (leche, zumos de frutas, cerveza, etc.)
Cajón de frutas y verduras	Verduras y frutas
Compartimento de alimentos frescos	Productos delicados (queso, mantequilla, embutidos, etc.)

Funcionamiento del aparato



Ajuste del compartimento congelador	Ajuste del compartimento frigorífico	Explicaciones
-18°C / 0°F	4°C / 39°F	Estos son los valores de uso recomendados.
-20°C / -4°F	3°C / 37°F	Se recomiendan estos valores cuando la temperatura ambiente rebasa los 30 °C.
Congelación rápida	4°C / 39°F	Se utiliza para congelar los alimentos rápidamente. El frigorífico volverá a su modo de funcionamiento previo una vez finalizado el proceso.
-24°C / -12°F	2°C / 35°F	Utilice estos ajustes si cree que el compartimento frigorífico no está suficientemente frío debido a las altas temperaturas ambientales o por la frecuente apertura y cierre de la puerta.
-15°C/5°F o más frío	Refrigeración rápida	Use esta función cuando deposite demasiados alimentos en el compartimento frigorífico o bien cuando precise enfriar sus alimentos con rapidez. Se recomienda activar la función de refrigeración rápida 4-8 horas antes de colocar los alimentos.

Temperatura de uso recomendada: FF: 4°C / 39°F Cong: -18°C / 0°F

5.6 Información sobre la congelación

Los alimentos deben congelarse lo más rápido posible con el fin de mantenerlos en las mejores condiciones de calidad.

Puede conservar la frescura de los alimentos frescos durante muchos meses (a temperaturas de -18 °C o menos en el congelador).

	Divida los alimentos en porciones basadas en las necesidades de consumo de la familia.
	Empaquete los alimentos herméticamente para evitar que se sequen, incluso si van a guardarse durante poco tiempo.

- Materiales necesarios para el empaquetado:
- Cinta adhesiva resistente al frío
- Etiquetas autoadhesivas
- Gomas elásticas
- Bolígrafo

Los materiales utilizados para empaquetar alimentos deben ser a prueba de desgarrones y resistentes al frío, la humedad, los olores, los aceites y los ácidos.

No deje que los alimentos entren en contacto con alimentos previamente congelados, con el fin de evitar que éstos puedan descongelarse parcialmente.



Consuma inmediatamente los alimentos recién descongelados, y en ningún caso los vuelva a congelar.

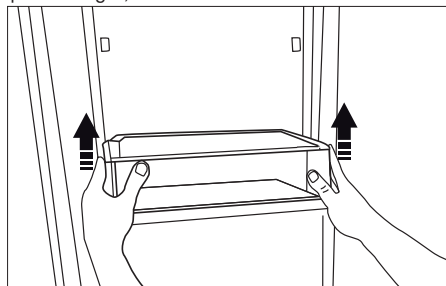
Funcionamiento del aparato

5.7 Retirada de los estantes de las puertas

Puede retirar los estantes de las puertas para limpiarlos. Empuje el estante hacia arriba para retirarlo.

No retire un estante que contenga alimentos.

En primer lugar, vacíelo.



5.8 Mover la rejilla de la puerta

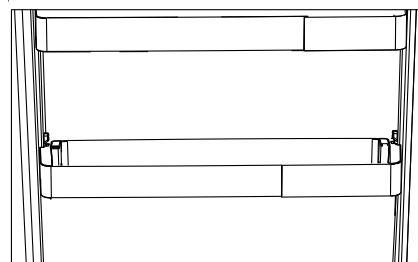
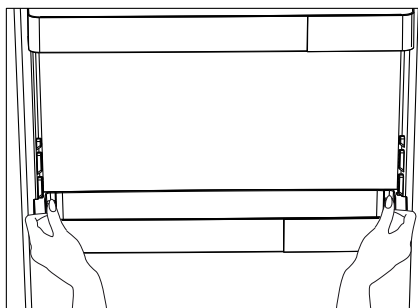
*opcional

La estantería móvil de la puerta puede fijarse en 3 posiciones diferentes.

Pulse los botones que se muestran a los lados de la misma manera para mover la estantería. La rejilla será móvil.

Mueva el estante hacia arriba o hacia abajo.

Cuando la rejilla esté en la posición que desee, suelte los botones. Debe fijar la estantería en la posición donde suelte los botones.



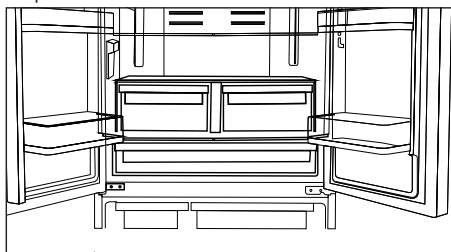
5.9 Estantes de cristal

Puede retirar los estantes de cristal para limpiarlos. Tenga cuidado al retirarlos porque son muy pesados.

5.10. Compartimento de enfriamiento (en algunos modelos)

Los compartimentos de enfriamiento le permiten preparar los alimentos para su congelación. También puede utilizar estos compartimentos para almacenar alimentos a temperaturas un poco inferiores a la del compartimento frigorífico. Puede aumentar el volumen interior del frigorífico retirando cualquiera de los compartimentos de enfriamiento:

1. Tire del compartimento hacia usted hasta que haga tope.
2. Levante el compartimento aproximadamente 1 cm y tire hacia usted para retirarlo de su soporte.



Funcionamiento del aparato

5.11 Compartimento para frutas y verduras

El cajón de frutas y verduras de su frigorífico está especialmente diseñado para mantener la frescura de sus vegetales sin que pierdan su humedad natural. Con este fin, alrededor del cajón de frutas y verduras se intensifica la circulación de aire frío. Antes de retirar los cajones de frutas y verduras, quite los estantes de las puertas que se apoyan contra ellos.

5.12 Compartimento para verduras con control de humedad

(FreSHelf)

(Característica opcional)

Los niveles de humedad de las frutas y de las verduras se mantienen bajo control con la función del cajón de frutas y verduras con control de humedad y se garantiza que los alimentos se mantengan frescos por más tiempo.

Le recomendamos colocar las verduras de hoja, tales como lechuga, espinaca y aquellas hortalizas sensibles a la pérdida de humedad, en posición horizontal en la medida de lo posible, dentro del cajón, no sobre sus raíces en posición vertical.

Mientras se guardan las frutas y verduras, tenga en cuenta su peso específico. Las frutas y verduras más duras y pesadas deben colocarse en el fondo del cajón y aquellas más blandas y livianas deben ubicarse arriba.

Nunca deje las hortalizas dentro del cajón de frutas y verduras en sus bolsas. Si las hortalizas se dejan dentro de sus bolsas, se descompondrán en un breve período de tiempo. En caso de que no desee que las frutas y verduras estén en contacto entre sí por cuestiones de higiene, utilice un papel perforado, espuma u otros materiales de embalaje similares en lugar de una bolsa.

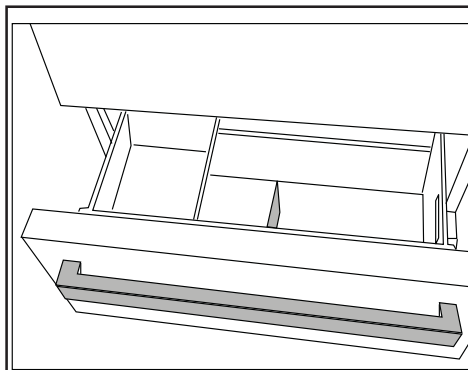
No coloque juntos peras, albaricoques, melocotones, etc. y manzanas, en particular, en el mismo cajón que otras frutas y verduras, ya que tienen un alto nivel de generación de gas etileno. El gas etileno emitido por estas frutas puede ocasionar que las otras frutas maduren más rápido y se echen a perder en poco tiempo.

5.13. Contenedor de hielo

La cubitera se usa para recoger los cubitos fabricados por el dispensador. No vierta agua en ella, ya que podría romperse. La cubitera no debe usarse para almacenar alimentos.



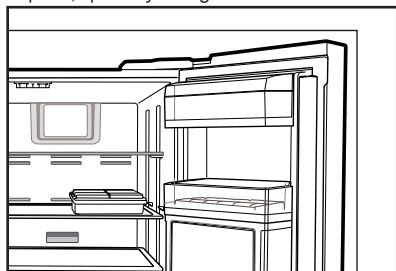
Puede que la máquina de hielo vierta cubos de hielo hasta que abra el recipiente de hielo.



5.14 Secciones de mantequillas y quesos

(en algunos modelos)

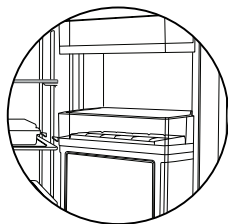
Conserve en esta sección alimentos como mantequilla, queso y margarina.



5.15. Huevera

Puede instalar la huevera en estante del cuerpo o la puerta que desee..

Nunca deposite la huevera en el compartimento congelador. .

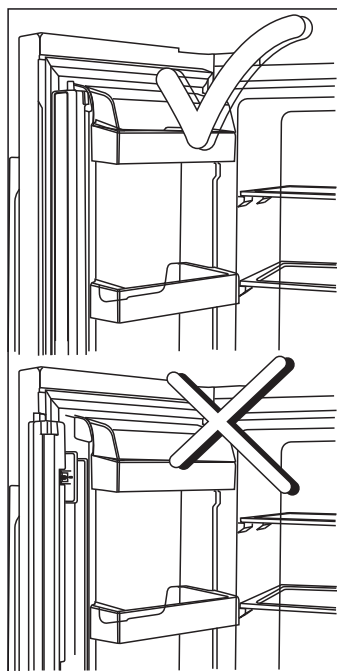


5.16 Sección central móvil

La sección central móvil tiene la función de evitar que el aire frío del interior de su refrigerador salga al exterior. Al cerrar las puertas del compartimento frigorífico, las juntas de las puertas crean un cierre hermético al hacer presión contra la superficie de la sección central móvil.



La sección central móvil está cerrada cuando se abre la puerta izquierda del compartimento frigorífico. La sección central móvil se mueve con la ayuda de la parte plástica del cuerpo durante el cierre de la puerta. No intente abrirla manualmente.



5.17. Luz azul

(en algunos modelos)

Los cajones para verdura y frutas se iluminan en azul. El efecto de la longitud de onda de la luz azul hace que los alimentos almacenados en el cajón de frutas y verduras prolonguen su proceso de fotosíntesis, conservando de esta manera su frescura e incrementando su contenido vitamínico.

5.18 Ion

(en algunos modelos)

El aire se ioniza a través del sistema de ionización del conducto de aire del compartimento frigorífico. Gracias a este sistema, se eliminan las bacterias en el aire y las partículas que causan malos olores.

5.19 Filtro de olores

(en algunos modelos)

El filtro de olores presente en el conducto del aire del compartimento frigorífico evita la formación de olores desagradables en el refrigerador.

Funcionamiento del aparato

5.20 Utilizar un dispensador de agua interno

(en algunos modelos)

Después de conectar el frigorífico a la fuente de agua o sustituir el filtro de agua, enjuague el sistema de agua. Use un recipiente robusta y mantenga el dispensador de agua durante 5 segundos, luego suéltelo durante 5 segundos. Repítalo hasta que el agua empiece a fluir. Una vez que el agua empiece a fluir, siga pulsando y soltando la paleta del dispensador (5 segundos sí, 5 segundos no) hasta alcanzar un total de 4 galones. (15L) se han dispensado. Descargue aire del filtro y el sistema de dispensación de agua, y prepare el filtro para usarlo. Puede que se necesite más enjuague en algunos hogares. Dado que el aire se limpia en el sistema, puede que el agua salga a chorros del dispensador. Deje pasar 24 horas para que el frigorífico y el agua se enfríen. Dispense agua suficiente cada semana para mantener un suministro fresco.



Después de 5 minutos de dispensación continua, el dispensador dejará de dispensar agua para evitar inundaciones. Para seguir dispensando, pulse la paleta del dispensador de nuevo.

5.21 Dispensar agua

Ponga un recipiente debajo del grifo dispensador mientras pulsa la almohadilla del dispensador. Suelte la paleta para detener la dispensación.

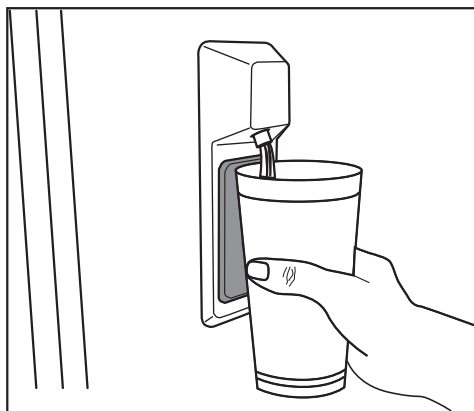


Es normal que los primeros vasos de agua servidos por el dispensador estén calientes.



Si no se usa el dispensador de agua durante un periodo de tiempo prolongado, no consuma los primeros vasos de agua.

Durante el uso inicial, deberá esperar aproximadamente 24 hasta que el agua se enfríe.



5.22 Utilización del dispensador de agua



Antes de usar el refrigerador después de sustituir el filtro de agua, el dispensador de agua puede soltar gotas de agua. Para evitar que el agua gotee o se filtre en el dispensador, por favor purgue el aire del sistema dispensando 5-6 galones (cerca de 20 litros) de agua a través del dispensador de agua antes del primer uso y cada vez que cambie el agua del filtro. Esto eliminará cualquier aire atrapado en el sistema y haga que deje de haber filtraciones en el dispensador de agua. Será necesario comprobar la posición del acoplador y la rectitud de la línea de agua en la parte posterior de la unidad si hay una obstrucción del flujo de agua.



Si el dispensador de agua filtra sólo unas pocas gotas de agua después de haber dispensado agua, esto es normal.

Funcionamiento del aparato

5.23 Icematic

(en algunos modelos)

Para obtener hielo del icematic, rellene el depósito de agua en el compartimento frigorífico con agua hasta el nivel máximo.

Los cubitos de hielo en el cajón de hielo pueden pegarse unos con otros y convertirse en un bloque debido al calor y a la humedad del aire en aproximadamente 15 días. Esto es normal. Si no puede separar el bloque, puede vaciar el contenedor de hielo y volver a hacer hielo.



Se recomienda cambiar el agua en el depósito de agua si ésta permanece en el depósito de agua durante más de 2 o 3 semanas.



Los ruidos extraños que puede escuchar provenientes del refrigerador en intervalos de 120 minutos son los sonidos de la formación y vertido del hielo. Esto es normal.



Si no desea crear hielo, pulse el icono Ice off (hielo apagado) para detener el icematic y ahorrar energía y prolongar la vida útil de su frigorífico.



Es normal que tras retirar el agua se produzca un ligero goteo del dispensador.

5.24 Icematic y contenedor de almacenamiento de hielo

(en algunos modelos)

Uso del Icematic

* Llene el Icematic con agua y colóquelo en su sitio. El hielo estará listo en unas dos horas. No extraiga el Icematic de su sitio para sacar hielo.

* Gire los mandos situados sobre él 90 grados en la dirección de las agujas del reloj.

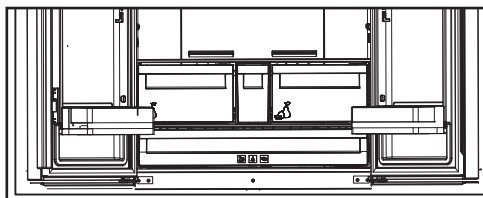
Los cubitos de hielo de las celdas caerán al contenedor de almacenamiento de hielo situado debajo.

* Ahora puede retirar el contenedor de almacenamiento de hielo y servir los cubitos.

* Si lo desea, puede dejar los cubitos en el contenedor de almacenamiento de hielo.

Contenedor de almacenamiento de hielo

El contenedor de almacenamiento de hielo debe utilizarse únicamente para almacenar cubitos de hielo. No eche agua en el depósito, ya que podría romperse.



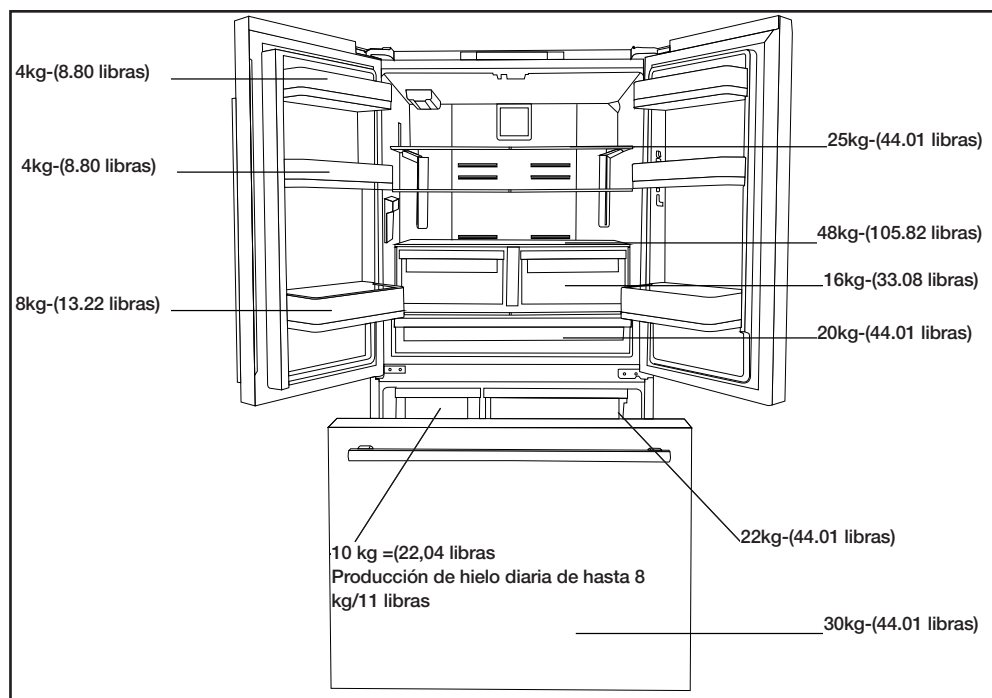
Funcionamiento del aparato

5.25 Limitaciones de peso de la estantería del frigorífico

Las estanterías cantilever del compartimento para alimentos frescos, aquellos que sólo tienen soportes traseros, se prueban para 25kg (55 libras) como máximo para cada parte.

El compartimento para frutas y verduras aguantará hasta 15kg (33 libras) para cada uno. La zona refrigerante aguantará hasta 20 kg (44 libras). Éstas son cargas dinámicas para el compartimento para frutas y verduras y la zona refrigerante.

El recipiente para hielo aguanta hasta 10kg (22 libras); es para usarlo sin hielo. El recipiente del congelador aguantará hasta 24kg (53 libras) y el cajón soportará hasta 30 kg (66 libras). Éstas son cargas dinámicas para los recipientes para hielo.



6. Mantenimiento y limpieza

La limpieza a intervalos regulares del aparato contribuye a prolongar su vida útil y a reducir la frecuencia de aparición de los problemas más comunes.



ADVERTENCIA: Desenchufe el aparato antes de limpiarlo.

- No utilice nunca gasolina, benceno o sustancias similares para la limpieza.
- No utilice para la limpieza herramientas afiladas o abrasivas, jabones, limpiadores domésticos, detergentes ni ceras abrillantadoras.
- Disuelva una cucharadita de carbonato en medio litro de agua. Empape un trapo en la solución y escúrralo. Limpie el interior del frigorífico con este trapo y seque a conciencia.
- Asegúrese de que no penetre agua en el alojamiento de la lámpara ni otros elementos eléctricos.
- Si no va a utilizar el frigorífico durante un periodo de tiempo prolongado, desenchúfelo, retire los alimentos del interior, límpielo y deje la puerta entreabierta.
- Compruebe con regularidad que las juntas de las puertas estén limpias. Si no lo están, límpielas.
- Para retirar la puerta y los estantes, retire todos sus contenidos.
- Retire los estantes de las puertas tirando de ellos hacia arriba. Tras limpiarlos, deslícelos de arriba hacia abajo para su colocación.

- Nunca use agentes de limpieza o agua que contengan cloro para limpiar las superficies exteriores y los cromados del producto. El cloro corroe dichas superficies metálicas.

6.1 Evitar malos olores

Nuestros frigoríficos no se fabrican con materiales que puedan producir olores. Sin embargo, una conservación inadecuada de los alimentos y la falta de limpieza de la superficie interior del frigorífico pueden dar lugar a un problema de olores. Preste atención a los siguientes puntos para evitar este problema:

- Es importante mantener limpio el frigorífico. Los restos de alimentos, manchas, etc. pueden causar olores. Por lo tanto, limpie el frigorífico con carbonato disuelto en agua cada 15 días. No utilice detergentes o jabón.
- Conserve los alimentos en recipientes cerrados. Los microorganismos que proliferan en los envases no cubiertos pueden causar malos olores.
- Retire del frigorífico los alimentos cuya fecha de caducidad haya vencido y en mal estado.

6.2. Protección de las superficies de plástico

No deposite aceites líquidos o alimentos aceitosos en recipientes no cerrados ya que dañarán las superficies de plástico de su frigorífico. Si se derramase aceite sobre las superficies de plástico, limpie y enjuague con agua caliente la parte afectada de inmediato.

7 Resolución de problemas

Le rogamos consulte la siguiente lista antes de llamar al servicio técnico. Puede ahorrarle tiempo y dinero. Esta lista incluye problemas frecuentes no achacables a defectos en materiales o manufactura. Es posible que algunas de las características mencionadas no estén presentes en su aparato.

El frigorífico no funciona.

- El enchufe no está insertado en la toma de corriente. >>> Inserte el enchufe con firmeza en la toma de corriente.
- El fusible principal o el fusible del enchufe al cual ha conectado el frigorífico están fundidos. >>> Compruebe el fusible.

Condensación en la pared lateral del compartimento frigorífico (MULTIZONA, CONTROL DE FRÍO y FLEXI ZONA).

- El ambiente es muy frío. >>> No instale el frigorífico en lugares en donde la temperatura pueda ser inferior a los 10 °C.
- La puerta se ha abierto con frecuencia. >>> No abra y cierre las puertas del frigorífico con frecuencia.
- El ambiente es muy húmedo. >>> No instale el frigorífico en lugares con una humedad muy alta.
- Se almacenan alimentos que contienen líquidos en recipientes abiertos. >>> Guarde los alimentos con contenidos líquidos en recipientes cerrados.
- La puerta se deja entreabierta. >>> No deje las puertas del frigorífico abiertas durante periodos largos de tiempo.
- El termostato está ajustado a un nivel muy bajo. >>> Ajuste el termostato a un nivel adecuado.

El compresor no funciona

- El dispositivo térmico protector del compresor saltará en caso de un corte súbito de energía o de idas y venidas de la corriente, ya que la presión del refrigerante en el sistema de enfriamiento aún no se ha estabilizado. Su frigorífico se pondrá en marcha transcurridos unos 6 minutos. Llame al servicio técnico si su frigorífico no se pone en marcha transcurrido ese periodo.
- El frigorífico se encuentra en el ciclo de descongelación. >>> Esto es normal en un frigorífico con descongelación automática. El ciclo de descongelación se produce de forma periódica.
- El aparato no está enchufado. >>> Asegúrese de que el enchufe esté colocado en la toma.
- La temperatura no se ha fijado correctamente. >>> Seleccione un valor de temperatura adecuado.
- Hay un apagón. >>> El frigorífico vuelve a operar con normalidad una vez restablecida la alimentación eléctrica.

El nivel de ruidos propios del funcionamiento se incrementa cuando el frigorífico está en marcha.

- El rendimiento del frigorífico puede cambiar en función de las variaciones en la temperatura ambiente. Esto es perfectamente normal, no es ninguna avería.

El frigorífico entra en funcionamiento con frecuencia o durante periodos prolongados.

Resolución de problemas

- Puede que su nuevo aparato sea más grande que el que tenía anteriormente. Los frigoríficos de mayor tamaño funcionan durante periodos de tiempo más largos.
- Puede que la temperatura ambiente sea alta. >>>Es normal que el aparato funcione durante periodos de tiempo más largos si hace calor.
- Puede que se haya enchufado el frigorífico o cargado con alimentos recientemente. >>> Cuando el frigorífico se ha enchufado o cargado con alimentos recientemente, le costará más alcanzar la temperatura fijada. Esto es normal.
- Es posible que recientemente haya depositado grandes cantidades de alimentos en el frigorífico. >>> No deposite alimentos calientes en el interior del frigorífico.
- Las puertas se abren con frecuencia o se han dejado entreabiertas por un tiempo prolongado. >>>El aire caliente que ha penetrado en el frigorífico hace que éste funcione durante más tiempo. No abra las puertas con frecuencia.
- Es posible que la puerta del compartimento frigorífico o congelador se haya dejado entreabierta. >>>Compruebe que las puertas estén completamente cerradas.
- El aparato está ajustado a una temperatura muy baja. >>>Ajuste la temperatura del frigorífico a un valor más alto y espere a que se alcance dicha temperatura.
- Es posible que la junta de la puerta del compartimento frigorífico o congelador esté sucia, desgastada, rota o no asentada correctamente. >>> Limpie o sustituya la junta. Una junta rota o dañada hace que el frigorífico funcione durante más tiempo con el fin de mantener la temperatura actual.

La temperatura del congelador es muy baja, mientras que la del frigorífico es correcta.

- La temperatura del congelador está ajustada a un valor muy bajo. >>> Ajuste la temperatura del congelador a un valor más alto y compruébelo.

La temperatura del frigorífico es muy baja, mientras que la del congelador es suficiente.

- La temperatura del frigorífico está ajustada a un valor muy bajo. >>> Ajuste la temperatura del frigorífico a un valor más alto y compruébelo.

Los alimentos depositados en los cajones del compartimento frigorífico se han congelado.

- La temperatura del frigorífico está ajustada a un valor muy alto. >>> Ajuste la temperatura del congelador a un valor más bajo y compruebe.

La temperatura del congelador o del frigorífico es muy alta.

- La temperatura del frigorífico está ajustada a un valor muy alto. >>> El valor de la temperatura del compartimento frigorífico afecta a la temperatura del congelador. Cambie las temperaturas del frigorífico o el congelador y espere hasta que los compartimentos pertinentes alcancen una temperatura suficiente.
- Las puertas se abren con frecuencia o se han dejado entreabiertas durante un tiempo prolongado. >>> No abra las puertas con frecuencia.
- La puerta está entreabierta. >>> Cierre la puerta del todo.
- El frigorífico se ha enchufado o se ha cargado de alimentos recientemente. >>> Esto es normal. Cuando el frigorífico se ha enchufado o cargado con alimentos recientemente, le costará más alcanzar la temperatura fijada.
- Es posible que recientemente haya depositado grandes cantidades de alimentos en el frigorífico. >>> No deposite alimentos calientes en el interior del frigorífico.

Vibraciones o ruidos.

- El suelo no está nivelado o no es estable. >>> Si el frigorífico oscila al moverlo lentamente, equilibrelo ajustando los pies. Compruebe además que el suelo esté nivelado y que sea capaz de soportar el peso del frigorífico.
- Los objetos colocados sobre el frigorífico pueden hacer ruido. >>>Retire los elementos de la parte superior del frigorífico.

Pueden oírse ruidos como si un líquido fluyera, se pulverizara, etc.

Resolución de problemas

- Los líquidos y gases fluyen en función de los principios de funcionamiento del frigorífico. >>> Esto es normal y no indica ninguna avería.

El frigorífico emite silbidos.

- Se utilizan ventilador para enfriar el frigorífico. Esto es perfectamente normal, no es ninguna avería.

Condensación en las paredes interiores del frigorífico.

- El tiempo cálido y húmedo favorece la formación de hielo y la condensación. Esto es perfectamente normal, no es ninguna avería.
- Las puertas se abren con frecuencia o se han dejado entreabiertas durante un tiempo prolongado. >>> No abra las puertas con frecuencia. Ciérrelas si están abiertas.
- La puerta está entreabierta. >>> Cierre la puerta del todo.

Hay humedad en el exterior del frigorífico o entre las puertas.

- Puede que haya humedad en el aire; es algo bastante normal en lugares húmedos. >>> Cuando el grado de humedad descienda, la condensación desaparecerá.
- Si se forma humedad en la zona entre las dos puertas del frigorífico, desactive el modo de «ahorro energético».

Mal olor en el interior del frigorífico.

- No se realiza ninguna limpieza regular. >>> Limpie el interior del electrodoméstico de forma regular con una esponja empapada en agua tibia o agua con gas.
- Es posible que el olor provenga de algún recipiente o envoltorio. >>> Utilice otro recipiente o materiales para envolver de una marca diferente.
- Se almacenan en el frigorífico alimentos en recipientes no cubiertos. >>> Mantenga los alimentos en contenedores cerrados. Los microorganismos que proliferan en los envases no cubiertos pueden causar malos olores.
- Retire del frigorífico los alimentos cuya fecha de caducidad haya vencido y estén en mal estado.

La puerta no cierra.

- Los paquetes de alimentos impiden que las puertas se cierren. >>> Recoloque los paquetes que estén obstruyendo la puerta.
- El frigorífico no se asienta completamente vertical sobre el suelo. >>> Ajuste los pies para equilibrar el frigorífico.
- El suelo no está equilibrado o no es sólido. >>> Compruebe además que el suelo esté nivelado y que sea capaz de soportar el peso del frigorífico.

Los cajones están atascados.

- Es posible que algún alimento toque el techo del cajón. >>> Cambie la distribución de los alimentos en el cajón.



ADVERTENCIA: Si las indicaciones de esta sección no le permiten solucionar el problema, póngase en contacto con su proveedor o bien con un servicio técnico autorizado. Si el aparato no funciona, no intente repararlo usted mismo.

Veillez lire attentivement ce manuel avant d'utiliser l'appareil !

Chère cliente, cher client,




Nous aimerions que vous soyez entièrement satisfait de notre appareil, fabriqué dans des infrastructures modernes et ayant fait l'objet d'un contrôle de qualité minutieux.

Par conséquent, nous vous recommandons de lire entièrement ce manuel d'utilisation avant d'utiliser l'appareil. Si vous vendez ou donnez l'appareil à un tiers, n'oubliez pas de lui remettre également le manuel.

Les instructions contenues dans ce manuel vous permettront d'utiliser l'appareil avec aisance et en toute sécurité.

- Lisez attentivement ce manuel d'utilisation avant d'installer et d'utiliser le réfrigérateur.
- Respectez toujours les instructions de sécurité en vigueur.
- Ayez le manuel d'utilisation à portée de main pour référence ultérieure.
- Lisez tous les autres documents fournis avec l'appareil.

Veillez noter que ce manuel d'utilisation peut se rapporter à plusieurs modèles de cet appareil. Le manuel indique clairement toutes les différences entre les modèles.

	Informations importantes et conseils utiles.
	Risque de mort et/ou de dommages matériels.
	Risque de choc électrique.
	L'emballage de l'appareil a été fabriqué à partir de matériaux recyclables, conformément à la législation nationale en matière d'environnement.

1 Consignes importantes relatives à la sécurité et à l'environnement **3**

2 Votre réfrigérateur **8**

3 Installation **9**

- 3.1 Emplacement d'installation approprié9
- 3.2 Installation des cales en plastique9
- 3.3 Branchement électrique9
- 3.4 Réglage des pieds10
- 3.5 Lampe d'éclairage10
- 3.6 Alarme d'ouverture de porte10
- 3.7 Arrivée d'eau14
 - 3.7.1 Avant l'installation14
- 3.8 Raccordement du tuyau d'arrivée d'eau au réfrigérateur14
- 3.9 Raccordement de la conduite d'eau à l'alimentation en eau15
- 3.10 Filtre à eau15
 - 3.10.1 Fixation du filtre interne dans le réfrigérateur15
 - 3.11 Raccordement du tuyau d'arrivée d'eau à la bonbonne16
- 3.12 Avant de commencer à utiliser le distributeur d'eau/de glace17
- 3.13 Transport de l'appareil18

4 Préparation **19**

- 4.1 Mesures d'économie d'énergie19
- 4.2 Recommandations relatives au compartiment fraîcheur19
- 4.3 Première utilisation20

5 Utilisation de l'appareil **21**

- 5.1 Bandeau de commandes21
- 5.2 Double système de refroidissement23
- 5.3 Congélation des aliments frais23
- 5.4 Recommandations relatives à la conservation des aliments congelés24
- 5.5 Disposition des aliments24
- 5.6 Informations relatives à la congélation24
- 5.7 Retrait des balconnets25
- 5.8 Balconnets amovibles25
- 5.9 Clayettes en verre25
- 5.10 Compartiment refroidisseur25
- 5.11 Bac à légumes26
- 5.12 Bac à légumes à humidité contrôlée (EverFresh+)26
- 5.13 Bac à glace26
- 5.14 Casier à beurre et à fromage27
- 5.15 Boîte à oeufs27
- 5.16 Section centrale mobile27
- 5.17 Bluelight28
- 5.18 Ioniseur28
- 5.19 Filtre d'odeurs28
- 5.20 Utilisation du distributeur d'eau interne28
- 5.21 Distribution d'eau28
- 5.22 Utilisation du distributeur d'eau29
- 5.23 Distributeur de glaçons29
- 5.24 Distributeur et récipient de conservation de glaçons30
- 5.25 Limites de poids des clayettes du réfrigérateur31

6. Entretien et nettoyage **32**





- 6.1 Prévention des mauvaises odeurs32
- 6.2 Protection des surfaces en plastique32

7 Dépannage **33**

1 Consignes importantes relatives à la sécurité et à l'environnement

Cette section comporte des informations de sécurité qui vous aideront à éviter les risques de blessures ou de dommages matériels. Le non-respect de ces instructions entraîne l'annulation de la garantie des appareils.

Utilisation préconisée

	AVERTISSEMENT : Veillez à ce que les conduits d'aération de l'enceinte de l'appareil ou de la structure intégrée ne soient pas obstrués.
	AVERTISSEMENT : N'utilisez pas d'appareils mécaniques ou autres moyens d'accélération du processus de décongélation, différents de ceux recommandés par le fabricant.
	AVERTISSEMENT : N'abîmez pas le circuit réfrigérant.
	AVERTISSEMENT : Ne faites pas fonctionner d'appareils électriques à l'intérieur des compartiments de conservation des denrées de l'appareil, sauf s'ils sont recommandés par le fabricant.

Cet appareil est conçu pour un usage domestique et des utilisations similaires comme

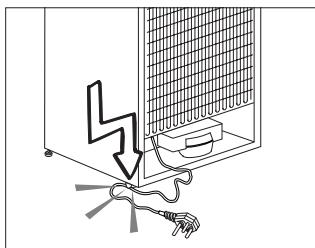
- les cuisines du personnel dans les boutiques, les bureaux et autres environnements de travail ;
- les fermes et pour une utilisation par les clients dans les hôtels, motels et autres

- types d'environnement résidentiel ;
- les environnements de type chambres d'hôtes ;
- la restauration et les usages similaires non destinés à la vente.

1.1. Sécurité générale

- Les personnes souffrant de handicaps physiques, sensoriels ou mentaux ; les personnes manquant d'expérience et d'informations, ainsi que les enfants, ne doivent pas s'approcher, toucher ni jouer avec le produit.
- Le non-respect des instructions et l'utilisation incontrôlée du produit entraînent des résultats dangereux !
- Débranchez le produit si une panne survient pendant l'utilisation.
- En cas de dysfonctionnement, n'utilisez pas l'appareil jusqu'à ce qu'il soit réparé par un agent de service agréé. Risque de choc électrique !
- Branchez l'appareil à une prise mise à la terre, protégée par un fusible conforme aux valeurs sur la plaque signalétique. Faites appel à un électricien qualifié pour la mise à la terre de l'appareil. Notre société décline toute responsabilité pour les dommages résultant de la non utilisation de l'appareil avec une prise mise à la terre conformément aux réglementations locales.
- Débranchez l'appareil lorsque vous ne l'utilisez pas.
- N'aspergez pas l'appareil et n'y versez pas de l'eau lorsque vous le lavez ! Risque de choc électrique !
- Ne touchez jamais la prise avec des mains mouillées !
- Ne débranchez jamais le produit en tirant sur le câble. Débranchez-le toujours en le tenant par la fiche.

Consignes importantes relatives à la sécurité et à l'environnement



- Évitez de brancher le réfrigérateur lorsque la prise de courant est mal fixée.
- Ne branchez jamais votre réfrigérateur à des systèmes d'économies d'énergie. Ces systèmes présentent des risques pour votre appareil.
- Débranchez l'appareil pendant les procédures d'installation, d'entretien, du nettoyage et de réparation.
- Contactez toujours un **Agent de service agréé** pour l'installation de l'appareil et la réalisation des branchements électriques. Le fabricant décline toute responsabilité pour les dommages causés par la réalisation de ces procédures par des personnes non autorisées.
- Ne mangez pas de cônes de crème glacée ou des glaçons immédiatement après les avoir sortis du compartiment de congélation ! Cela pourrait provoquer des engelures dans votre bouche!
- Ne touchez pas les aliments congelés avec les mains mouillées ! Ils peuvent coller à vos mains !
- Ne placez pas de boissons en bouteilles ou en cannettes dans le congélateur. Elles risquent d'exploser !
- N'utilisez jamais de la vapeur ou des nettoyants à vapeur pour nettoyer ou dégivrer le réfrigérateur. Tout contact entre la vapeur et les éléments sous tension de votre réfrigérateur peut entraîner un court-circuit ou un choc électrique !
- Pour accélérer le processus de décongélation, n'utilisez pas d'outils mécaniques ou de dispositifs autres que ceux recommandés par le fabricant.
- N'utilisez jamais les pièces de votre réfrigérateur, notamment la porte et le tiroir, comme support ou marche. Une telle utilisation de l'appareil peut l'emmener à balancer ou endommager ses parties.
- Évitez d'endommager les pièces où circule le liquide réfrigérant avec des outils de perforation ou de coupe. Le liquide réfrigérant qui pourrait s'échapper si les canalisations de gaz de l'évaporateur, les rallonges de tuyau ou les revêtements de surface étaient percés, peut irriter la peau et provoquer des blessures aux yeux.
- Ne laissez aucun objet couvrir ou obstruer les orifices de ventilation du réfrigérateur.
- Placez les boissons alcoolisées verticalement, dans des récipients convenablement fermés.
- N'utilisez pas de pulvérisateur à gaz à proximité de l'appareil car cela pourrait causer un incendie ou une explosion !
- Les articles inflammables ou les produits contenant des gaz inflammables (par ex. : aérosols) ainsi que les matériaux explosifs ne doivent jamais être conservés dans l'appareil.
- Ne placez pas de récipient contenant de liquides au-dessus de l'appareil. Les projections d'eau sur les pièces électriques peuvent causer un choc électrique ou un risque d'incendie.
- Évitez de ranger les éléments qui nécessitent un réglage précis de la température (tels que les vaccins, les médicaments sensibles à la chaleur, les outils scientifiques, etc.) dans le réfrigérateur.

Consignes importantes relatives à la sécurité et à l'environnement

- Si vous n'allez pas utiliser l'appareil pendant une longue période, débranchez-le et retirez tous les aliments l'intérieur.
- Si le réfrigérateur émet une lumière bleue, ne la regardez pas en utilisant des outils optiques.
- L'exposition du produit à la pluie, la neige, le soleil ou le vent présente des risques en matière de sécurité électrique.
- Avec des appareils équipés de commandes mécaniques (thermostat), patientez 5 minutes avant de rebrancher l'appareil après l'avoir débranché.
- Ne surchargez pas le réfrigérateur. Les objets dans le réfrigérateur peuvent tomber lorsque vous ouvrez la porte, causant des blessures et des dommages. Des problèmes similaires peuvent survenir si vous placez des objets au-dessus de l'appareil.
- Si l'appareil possède une poignée de porte, ne tirez pas dessus pour déplacer l'appareil. La poignée peut se desserrer.
- Soyez prudent pour ne pas coincer vos doigts ou toute autre partie de votre corps dans les pièces mobiles du réfrigérateur.
- Ne placez pas vos doigts ou tout autre corps étranger dans la machine à glace lorsqu'elle est en marche.

1.1.1 Mise en garde concernant les hydrocarbures

• Si le système de refroidissement de votre appareil contient du R600a :
Ce gaz est inflammable. Par conséquent, veillez à ne pas endommager le système de refroidissement ou la tuyauterie pendant l'utilisation et le transport. En cas de dommage, tenez l'appareil à l'écart de potentielles sources de feu, susceptibles

de l'enflammer et aérez la pièce dans laquelle est installé l'appareil.



Si l'appareil est endommagé et vous voyez une fuite de gaz, tenez-vous à l'écart du gaz. Au contact de la peau, il peut entraîner des engelures. (notamment le R134)



Ignorez cet avertissement si le système de refroidissement de votre appareil contient du R134a.



Le type de gaz utilisé dans l'appareil est mentionné sur la plaque signalétique située sur la paroi gauche à l'intérieur du réfrigérateur.



AVERTISSEMENT :

Ne jetez jamais l'appareil dans du feu pour sa mise au rebut.

1.1.2 Pour les appareils avec distributeur d'eau/machine à glaçons

- La pression d'arrivée d'eau froide ne doit pas excéder 90 psi (620 kPa). Si la pression d'eau froide est supérieure à 80 psi (550 kPa), utilisez une soupape de limitation de pression dans votre système principal. Si vous ne savez pas comment vérifier la pression d'eau, demandez l'aide d'un plombier professionnel.
- En cas de risque d'impact causé par d'eau dans votre installation, utilisez toujours un dispositif de protection anti coup de bélier. Contactez un plombier professionnel si vous n'êtes pas certain(e) que votre installation présente un risque d'effet coup de bélier.
- Ne procédez pas à l'installation de l'arrivée d'eau chaude.
- Utilisez uniquement de l'eau potable.

Consignes importantes relatives à la sécurité et à l'environnement

- Prenez les mesures nécessaires contre le risque de gel des tuyaux. La plage de température de fonctionnement est de 0.6 °C (33 °F) au minimum et 38 °C (100 °F) au maximum.



AVERTISSEMENT :
Ne branchez jamais l'appareil à un réseau d'eau froide, lorsque la pression est supérieure ou égale à 550 kPa (80 psi).

1.2. Utilisation préconisée

- Cet appareil est destiné à un usage ménager. Il n'est pas indiqué pour une utilisation à des fins commerciales et ne doit pas être utilisé à des fins autres que celles prévues.
- Il ne doit être utilisé que pour conserver des aliments.
- Le fabricant n'assume aucune responsabilité pour les dommages résultant de l'utilisation et du transport inappropriés.
- Les pièces de rechange d'origine seront disponibles jusqu'à 10 ans après la date d'achat de l'appareil.

1.3. Sécurité des enfants

- En cas de verrou sur la porte de l'appareil, gardez la clé hors de la portée des enfants.
- Ne laissez pas les enfants jouer avec l'appareil.



DANGER :
Avant de mettre au rebut votre ancien réfrigérateur ou congélateur :

- Les enfants peuvent s'y enfermer.
- Retirez les portes.
- Laissez les étagères pour éviter que les enfants accèdent facilement à l'intérieur de l'appareil.

1.4. Conformité avec la directive DEEE et mise au rebut de l'appareil usagé :



Ce produit est conforme à la directive européenne concernant les appareils électriques et électroniques (2012/19 UE). Il porte un symbole de classification pour la mise au rebut des équipements électriques et électroniques (DEEE). Cet appareil a été fabriqué avec des pièces et du matériel de qualité supérieure susceptibles d'être réutilisés et adaptés au recyclage. Par conséquent, évitez de mettre l'appareil au rebut aux côtés des ordures ménagères à la fin de sa durée de vie. Transportez-le vers un point de collecte destiné au recyclage des équipements électriques et électroniques. Consultez les autorités de votre localité pour plus d'informations sur ces points de collecte.

1.5. Conformité avec la directive LdSD :

L'appareil que vous avez acheté est conforme à la Directive LdSD de L'Union européenne (2011/65/ UE). Il ne comporte pas les matières dangereuses et interdites mentionnées dans la Directive.

1.6. Informations relatives à l'emballage

- Les matériaux d'emballage de cet appareil sont fabriqués à partir de matériaux recyclables, conformément à notre réglementation nationale en matière d'environnement. Ne jetez pas les matériaux d'emballage avec les ordures ménagères normales ou d'autres types de déchets. Transportez ces matériaux vers un point de collecte prévu par les autorités locales.

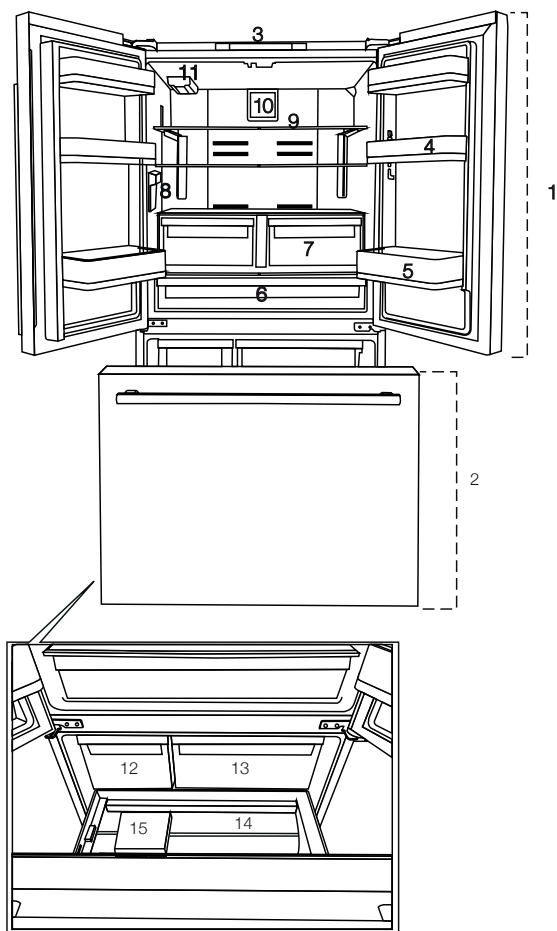


DANGER :

Risque d'incendie ou d'explosion :

- Cet appareil utilise un réfrigérant inflammable.
- N'utilisez pas d'objets mécaniques pour dégivrer le réfrigérateur.
- N'utilisez pas de produits chimiques pour le nettoyage.
- Évitez de percer le conduit du réfrigérant.
- Si le conduit du réfrigérant est percé, faites-le uniquement réparer par un agent de service agréé.
- Veuillez consulter le Manuel d'utilisation/de réparation avant de nettoyer l'appareil. Veuillez respecter toutes les précautions de sécurité.
- Éliminez votre appareil dans le respect de la réglementation fédérale ou locale.

2 Votre réfrigérateur



- 1- Compartiment réfrigérateur
- 2- Compartiment congélateur
- 3- Ecran de contrôle
- 4- Balconnet du compartiment réfrigérateur
- 5- Balconnet range-bouteilles
- 6- Compartiment Zone fraîcheur
- 7- Bacs à légumes
- 8- Distributeur d'eau interne
- 9- Balconnet en verre réglable
- 10- Ventilateur
- 11- Filtre à eau
- 12- Bac à glace
- 13- Compartiment de stockage de denrées alimentaires congelées (supérieur)
- 14- Compartiment de stockage de denrées alimentaires congelées ((inférieur)
- 15- Séparateur

3 Installation

Contactez l'agent de service agréé pour l'installation de cet appareil. Pour que ce dernier soit prêt à l'emploi, assurez-vous que l'installation électrique est correcte avant de contacter l'agent de service agréé. Si tel n'est pas le cas, appelez un électricien qualifié afin qu'il effectue les arrangements nécessaires.



La préparation du site et de l'installation électrique sur le lieu de l'installation relèvent de la responsabilité du client.



Ne branchez pas l'appareil pendant l'installation. Au cas contraire, cela présente un risque de mort ou de blessures graves !



AVERTISSEMENT : L'installation et les branchements électriques de l'appareil doivent être effectués par un agent de service agréé. Le fabricant ne sera pas tenu responsable des dommages survenus suite à des activités effectuées par des personnes non autorisées.



AVERTISSEMENT : Avant l'installation, inspectez visuellement l'appareil pour vous assurer qu'il ne présente aucun défaut. Si tel est le cas, ne le faites pas installer. Les produits endommagés constituent un risque pour votre sécurité.



Assurez-vous que le cordon d'alimentation n'est pas pincé ni écrasé lorsque vous remettez l'appareil en place après l'installation ou le nettoyage.

3.1 Emplacement d'installation approprié



AVERTISSEMENT : Si la porte de la pièce dans laquelle l'appareil sera installé est trop petite pour son passage, ôtez les portes de l'appareil, tournez-le sur le côté et faites-le passer.

- Sélectionnez un emplacement à partir duquel vous utiliserez l'appareil aisément.
- Ne posez pas l'appareil sur des matériaux tels que des tapis ou des moquettes.
- Placez le produit sur une surface plane afin d'éviter les secousses.
- N'installez pas l'appareil dans des endroits où la température est inférieure à 10 °C/50 °F.



Si deux réfrigérateurs sont installés côte à côte, ils doivent être séparés d'au moins 4 cm de distance.

3.2 Installation des cales en plastique

Les cales en plastique permettent de créer une distance afin que l'air circule entre l'appareil et le mur arrière. Insérez les 2 cales en plastique sur le couvercle de la ventilation arrière, comme illustré à la figure suivante. Pour ce faire, retirez les vis de l'appareil et utilisez celles qui ont été fournies dans la même pochette avec les cales.

3.3 Branchement électrique

Connectez cet appareil à une prise mise à la terre, protégée par un fusible conforme aux valeurs figurant sur la plaque signalétique. Notre entreprise ne sera pas tenue pour responsable de tout dommage survenu si vous utilisez cet appareil sans le connecter à une mise à la terre, conformément aux réglementations locales.

- Assurez-vous que les branchements électriques sont conformes aux réglementations nationales.
- Assurez-vous que la prise du cordon d'alimentation est facilement accessible après l'installation.
- Les informations relatives à la tension et au fusible ou au disjoncteur de protection autorisé figurent sur la plaque signalétique fixée à l'intérieur de l'appareil. Si la valeur actuelle du fusible ou du disjoncteur de protection disponible à la maison n'est pas conforme à celle indiquée sur la plaque de signalétique, faites installer un fusible approprié par un électricien qualifié.
- La tension spécifiée doit être égale à votre tension de secteur.
- N'effectuez pas de connexion à l'aide de rallonges ou de multiprises.



AVERTISSEMENT : Faites remplacer le cordon d'alimentation endommagé par un agent de service agréé.



AVERTISSEMENT : N'utilisez pas cet appareil lorsqu'il est en panne, à moins qu'il ne soit réparé par l'agent de service agréé ! Cette précaution permet d'éviter tout risque de choc électrique !

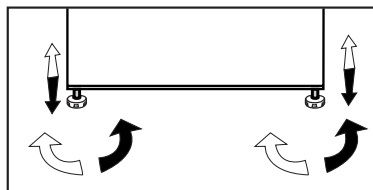
3.4 Réglage des pieds

Si après l'installation l'appareil est en déséquilibre, réglez les pieds. Si vous vous faites aider par une personne pour soulever légèrement le réfrigérateur, l'opération s'en trouvera simplifiée.



AVERTISSEMENT : Débranchez au préalable l'appareil. Ne branchez pas l'appareil pendant que vous réglez les pieds. Cette précaution permet d'éviter tout risque de choc électrique !

Tournez le pied avant afin d'équilibrer l'appareil. Le côté où se trouve le pied s'abaisse lorsque vous le tournez dans le sens de la flèche, et s'élève lorsque vous le tournez dans le sens opposé.



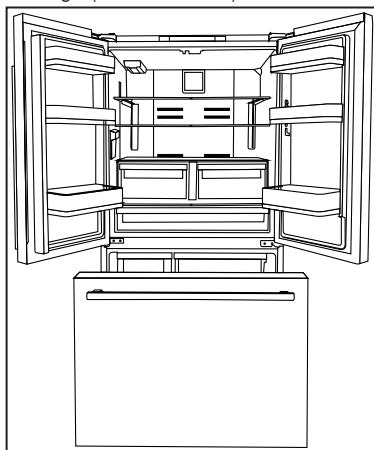
3.5 Lampe d'éclairage

N'essayez pas de la réparer vous-même, contactez un agent de service agréé si les lampes d'éclairage à LED ne s'allument pas ou sont hors service.

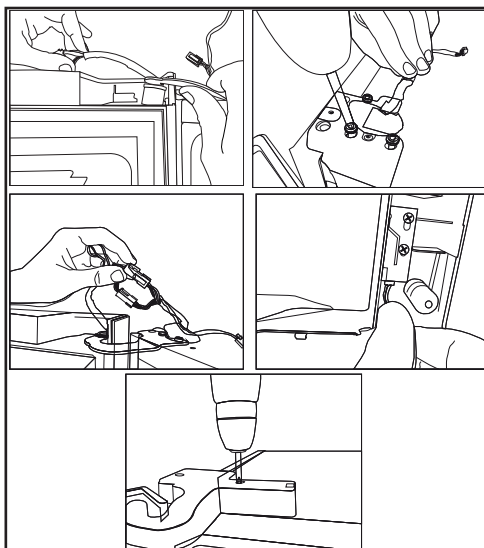
L'ampoule de cet appareil n'est pas appropriée pour l'éclairage des maisons. Elle a été conçue pour aider l'utilisateur à placer les aliments dans le réfrigérateur/congélateur d'une manière sûre et confortable.

3.6 Alarme d'ouverture de porte (Cette fonction peut varier suivant le type de porte installé sur l'appareil et peut ne pas exister sur certains modèles.)

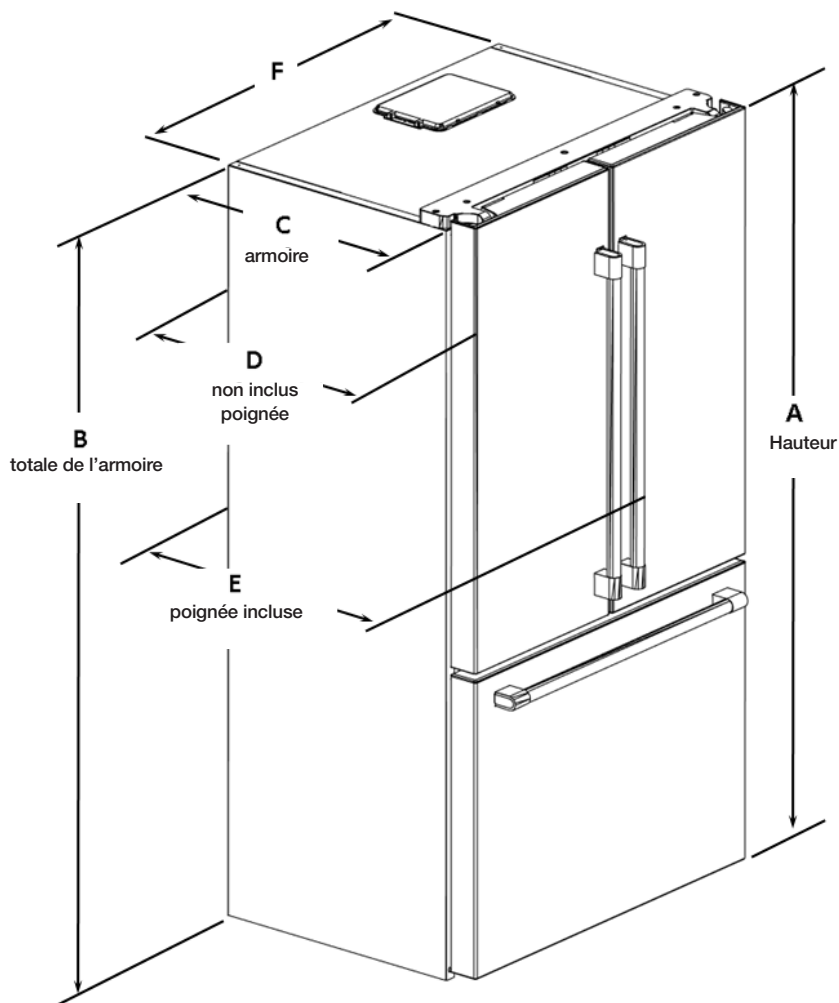
Un signal sonore retentit lorsque la porte du réfrigérateur reste ouverte pendant 1 minute. Le signal sonore s'arrête lorsque vous fermez la porte ou lorsque vous appuyez sur n'importe quel bouton d'affichage (le cas échéant).



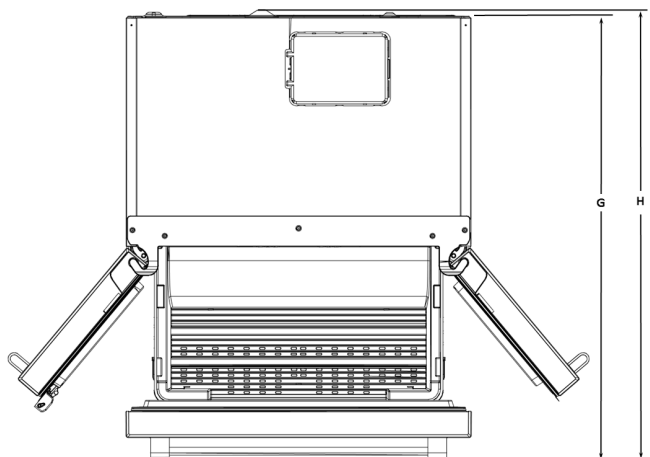
- Fixez la charnière supérieure à l'aide de 3 vis
- Fixez ensuite les caches après l'installation des supports
- Serrez alors les caches à l'aide de 2 vis.



DIMENSIONS DE L'APPAREIL



Compartment congélateur avec porte ouverte au maximum (Tiroir)



Hauteur totale « A »	totale maximale de l'armoire « B »	Profondeur de l'armoire « C » « O » uniquement	Profondeur sans poignée « D »
1 771 mm (69,72 po)	1710mm (67,32 po)	600 mm (23,62 po)	680,5 mm (26,79 po)
Profondeur avec poignées « E »	Largeur de l'armoire « F »	Profondeur du tiroir ouvert « G »	Profondeur totale du tiroir ouvert « H »
737 mm (29,01 po)	908 mm (35,74 po)	1157 mm (45,55 po)	1178,5 mm (46,40 po)
Profondeur avec portes ouvertes à 90° « I »	Profondeur totale avec portes ouvertes à 90° « J »	Largeur avec portes ouvertes à 90° et poignées « K »	Largeur avec portes ouvertes à 90° de l'armoire à la poignée « L »
1072,6 mm (42,22 po)	1094 mm (43,07 po)	1059,2 mm (41,70 po)	75,6 mm (2,97 po)
Largeur avec portes ouvertes à 130° de la poignée à la poignée « M »	Largeur des portes par 130° de l'armoire à la poignée « N »	Profondeur avec portes ouvertes à 130° « p »	Profondeur avec portes ouvertes à 130° « R »
1 530,2 mm (41,70 po)	311,2 mm (12,25 po)	391 mm (15,39 po)	991 mm (39,01 po)

Espace libre minimum à partir du sommet : 2 pouces

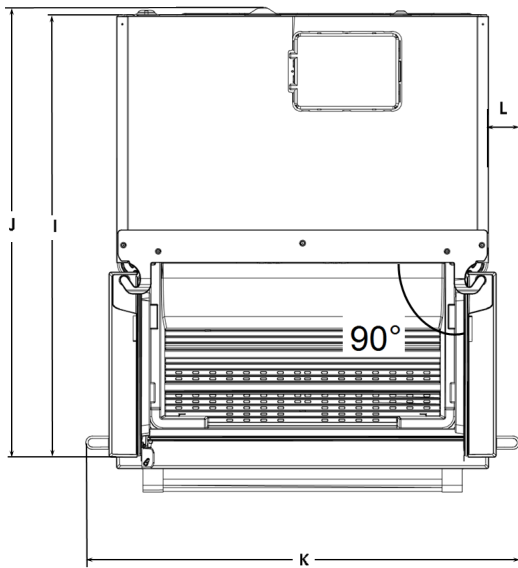
Espace libre minimum à partir des côtés : 2 pouces

Installation

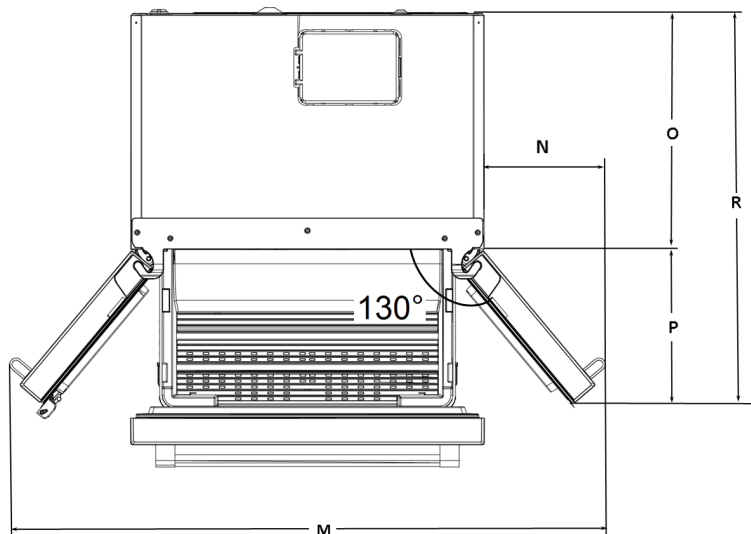
DIMENSIONS

[RÉFRIGÉRATEUR FRANÇAIS 36 po]

Compartment pour aliments frais avec
porte ouverte à 90°



Compartment pour aliments frais avec
porte ouverte à 130° (Max)



3.7 Arrivée d'eau

Selon le modèle du réfrigérateur, vous pouvez le raccorder à une bonbonne ou aux conduites d'eau. Vous devez d'abord connecter le tuyau d'arrivée d'eau au réfrigérateur.



Si vous utilisez une bonbonne, utilisez également une pompe distincte.



AVERTISSEMENT : Assurez-vous que le réfrigérateur et la pompe, le cas échéant, sont débranchés pendant les branchements.



Il est possible que les pièces suivantes ne soient pas fournies avec votre appareil puisqu'elles ne sont pas nécessaires lorsque vous utilisez une bonbonne.

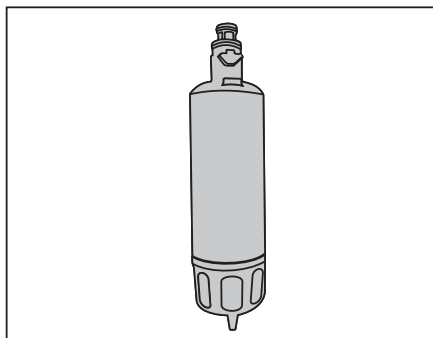
Vérifiez que les pièces suivantes ont été livrées en même temps que l'appareil :

Filtre à eau externe. (Si vous avez une bonbonne, il n'est pas nécessaire d'utiliser un filtre à eau.)

3.7.1 Avant l'installation

Assurez-vous prendre toutes les précautions nécessaires pour garantir une bonne installation avant d'utiliser l'appareil, notamment :

Votre appareil est fourni avec un filtre à eau interne prévu pour être utilisé à l'intérieur du réfrigérateur. Le numéro de référence du filtre est 4918450200. Utilisez ce numéro lors de la commande des filtres de rechange.



3.8 Raccordement du tuyau d'arrivée d'eau au réfrigérateur

1. Faites glisser le raccord union (B) dans le tuyau d'arrivée d'eau (A).
2. Poussez fermement le tuyau d'arrivée d'eau vers le bas afin qu'il glisse à l'intérieur de la vanne d'arrivée d'eau (C).
3. Serrez manuellement le raccord union (C) afin qu'il soit correctement fixé à la vanne d'arrivée d'eau.



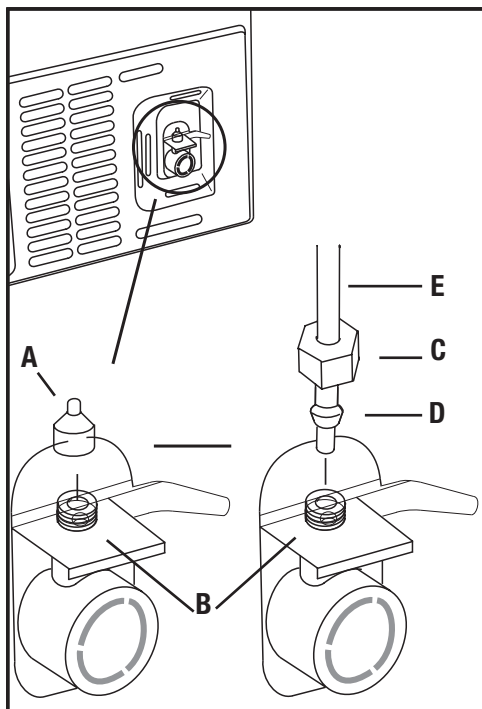
En principe, vous ne devez pas serrer le raccord union à l'aide d'un outil. Cependant, vous pouvez utiliser une clé ou des pinces pour le serrer en cas de fuite.

3.9 Raccordement de la conduite d'eau à l'alimentation en eau

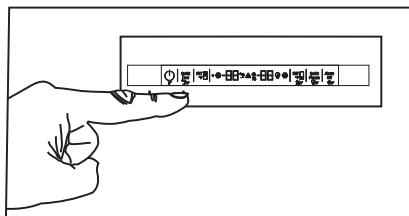
Connecter la conduite d'eau au robinet d'alimentation en eau. Si ce robinet est absent de votre appareil ou si vous n'en êtes pas sûr, contactez un plombier qualifié.

3.10 Filtre à eau (pour certains modèles)

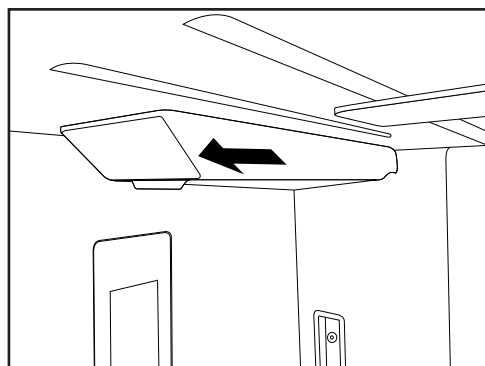
Votre réfrigérateur peut être équipé d'un filtre externe ou interne, selon le modèle. Pour installer le filtre à eau, suivez les instructions ci-dessous, renvoyant aux schémas fournis :



3.10.1 Fixation du filtre interne dans le réfrigérateur



1. Tirez lentement le couvercle du filtre à eau.
2. Ôtez le couvercle de dérivation du filtre à eau en le tournant vers le bas.



AVERTISSEMENT : Assurez-vous que le mode Ice Off est activé avant de retirer le couvercle de dérivation.



Il est tout à fait normal que quelques gouttes d'eau tombent après le retrait du couvercle.

3. Installez le couvercle du filtre à eau dans le mécanisme et poussez-le vers l'avant afin de le fixer.
4. Appuyez à nouveau sur la touche « **Ice Off** » situé sur le panneau d'affichage afin de quitter ce mode.



AVERTISSEMENT : Assurez-vous que le mode Ice Off est activé avant de retirer le couvercle de dérivation.



Il est tout à fait normal que quelques gouttes d'eau tombent après le retrait du couvercle.

Installation

3. Installez le couvercle du filtre à eau dans le mécanisme et poussez-le vers l'avant afin de le fixer.
4. Appuyez à nouveau sur la touche « **Ice Off** » situé sur le panneau d'affichage afin de quitter ce mode.



Remplacez le filtre à eau tous les 6 mois. Lors du remplacement du filtre à eau, ou si vous ne l'utilisez plus, retirez-le, comme illustré à la figure et installez le couvercle de dérivation. Assurez-vous que le mode « Ice Off » est activé avant de retirer le filtre à eau.



AVERTISSEMENT : Le filtre à eau permet de nettoyer les corps étrangers présents dans l'eau. En conséquence, il ne débarrasse pas celle-ci des micro-organismes.



AVERTISSEMENT : Appuyez sur la touche **Ice Off** avant de remplacer le filtre à eau ou d'installer le couvercle de dérivation.



AVERTISSEMENT : Débranchez l'appareil lors du remplacement du filtre.

3.11 Raccordement du tuyau d'arrivée d'eau à la bonbonne

(pour certains modèles)

Pour effectuer le raccordement d'alimentation en eau entre le réfrigérateur et la bonbonne, utilisez une pompe à eau. Suivez les instructions ci-dessous après avoir raccordé une extrémité du tuyau d'arrivée d'eau allant de la pompe vers le réfrigérateur.

1. Terminez le raccordement en poussant l'autre extrémité du tuyau d'arrivée d'eau dans l'entrée du tuyau d'arrivée d'eau de la pompe.
2. Placez et fixez le tuyau de pompe dans la bonbonne.
3. À la fin du raccordement, connectez et utilisez la pompe.



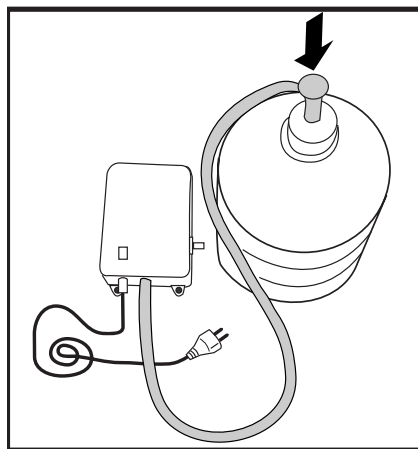
Après avoir mis la pompe en marche, attendez 2 à 3 minutes afin qu'elle atteigne le niveau d'efficacité requis.

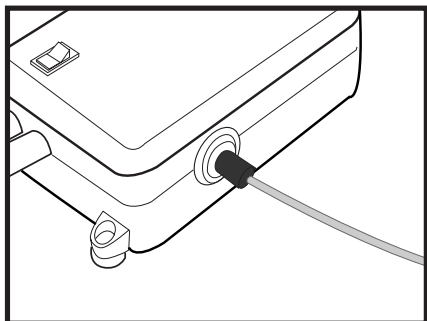
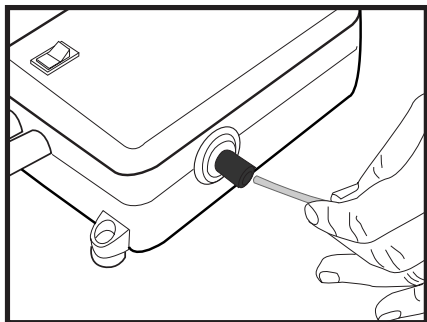


Consultez le manuel d'utilisation de la pompe lors du raccordement de l'arrivée d'eau.



Il n'est pas nécessaire d'utiliser un filtre à eau si vous comptez utiliser une bonbonne.





3.12 Avant de commencer à utiliser le distributeur d'eau/de glace

- Si la pression de l'eau est inférieure à 1 bar ou si vous comptez utiliser une dame-jeanne, alors vous devez également utiliser une autre.
- Le réseau d'alimentation en eau du réfrigérateur doit être raccordé à la conduite d'eau froide. **Il ne doit pas être raccordé à une conduite d'eau chaude.**
- Vous ne pouvez pas obtenir d'eau lors du démarrage initial du réfrigérateur. Car le système comporte de l'air. Pour évacuer l'air du système, appuyez sur le dispositif de verrouillage du distributeur pendant 1 à 2 minutes jusqu'à ce que l'eau s'écoule du distributeur. Le débit d'eau peut être irrégulier au départ. Une fois l'air évacué du système, le débit d'eau redevient normal.
- Lors de la première utilisation, patientez pendant environ 12 heures afin que l'eau refroidisse.
- Cela prend environ 1 à 2 jours pour que le système produise la quantité de glace requise.
- Ne consommez pas les 10 premiers verres d'eau.
- Lorsque vous utilisez le filtre pour la première fois, les premiers verres d'eau peuvent être turbides. Ne consommez donc pas ces premiers verres d'eau.
- Si vous n'utilisez pas le distributeur d'eau pendant une période prolongée, les 1-2 premiers verres d'eau peuvent être chauds.

Installation

- En cas de panne d'électricité ou de défaillance temporaire pendant le fonctionnement du réfrigérateur, la glace peut fondre légèrement et ensuite se congeler à nouveau. Dans ce cas, les glaçons peuvent se coller les uns aux autres. Si cette panne ou défaillance se prolonge, la glace peut fondre, entraînant ainsi une fuite d'eau. Si vous rencontrez un tel problème, videz et nettoyez le récipient à glace.
 - Les glaçons peuvent se coller les uns aux autres si vous les laissez dans le récipient pendant une période prolongée.
 - L'installation du réseau d'alimentation en eau du réfrigérateur doit être effectuée par un agent de service agréé.
 - Utilisez de l'eau potable lorsque vous souhaitez raccorder les conduites d'eau à l'appareil.
 - Le réseau d'alimentation en eau de cet appareil est conçu pour fonctionner avec de l'eau uniquement. N'utilisez pas de boissons telles que les boissons rafraîchissantes, dans le réseau d'alimentation en eau.
 - Il est recommandé de déconnecter le raccordement de l'arrivée d'eau si vous n'utilisez pas le réfrigérateur pendant une période prolongée, en raison de vacances ou pour toute autre raison similaire.
 - N'essayez pas de démonter les pièces du récipient à glace.
 - N'essayez pas non plus de nettoyer le récipient à glace sans le retirer du réfrigérateur.
- Lorsque vous retirez de l'eau du distributeur d'eau, retirez le verre situé sous l'ouverture 1 seconde après avoir relâché la gâchette. Ainsi, l'eau contenue dans le système ne s'écoulera pas dans le plateau d'égouttage.

3.13 Transport de l'appareil

1. Débranchez l'appareil avant de le transporter.
2. Retirez les arrivées d'eau.
3. Fixez les balconnets, les accessoires, etc. dans le réfrigérateur à l'aide d'un ruban adhésif avant de l'emballer à nouveau.



L'emballage doit être fixé avec un ruban adhésif épais ou des cordes solides, et les normes de transport imprimées sur l'emballage doivent être respectées.



Conservez l'emballage d'origine et les matériaux en mousse pour d'éventuels transports.



AVERTISSEMENT : Les matériaux d'emballage sont dangereux pour les enfants. Conservez ces matériaux d'emballage en lieu sûr, hors de la portée des enfants.

4 Préparation

4.1 Mesures d'économie d'énergie



Le branchement de l'appareil aux systèmes d'économie d'énergie électrique est risqué dans la mesure où il peut endommager le produit.

- Ne laissez pas les portes du réfrigérateur ouvertes pendant une période prolongée.
- Ne mettez pas d'aliments ou des boissons chaud(e)s dans le réfrigérateur.
- Ne surchargez pas le réfrigérateur. La capacité de refroidissement diminue lorsque la circulation de l'air à l'intérieur est entravée.
- Ne placez pas le réfrigérateur dans des endroits exposés à la lumière directe du soleil. Installez l'appareil au moins à 30 cm des sources de chaleur telles que les plaques de cuisson, les fours, les radiateurs de chauffage et les cuisinières, et au moins à 5 cm des fours électriques.
- Conservez les aliments contenus dans le réfrigérateur dans des récipients fermés.
- Chargez une quantité maximale d'aliments dans le compartiment réfrigérateur, en retirant la clayette ou le tiroir du compartiment congélateur. La valeur de consommation énergétique déclarée du réfrigérateur a été déterminée lorsque la clayette ou le tiroir du compartiment congélateur a été enlevé et par la quantité maximale d'aliments chargés. Il n'existe aucun risque à utiliser une clayette ou un tiroir adapté(e)s aux formes et tailles des aliments à congeler.
- La décongélation des aliments dans le compartiment réfrigérateur permet de faire des économies d'énergie et de préserver la qualité des aliments.



La température ambiante de la pièce dans laquelle vous installez le réfrigérateur doit être d'au moins 10 °C/50 °F. Il n'est pas recommandé de faire fonctionner votre appareil sous des températures inférieures.



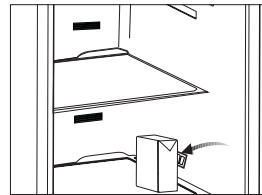
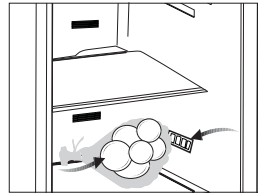
L'intérieur du réfrigérateur doit être soigneusement nettoyé.



Si deux réfrigérateurs sont installés côte à côte, ils doivent être séparés d'au moins 4 cm de distance.

4.2 Recommandations relatives au compartiment fraîcheur

- Assurez-vous que les aliments ne touchent pas le capteur de température situé dans le compartiment pour aliments frais. Pour que le compartiment pour aliments frais conserve sa température idéale, le capteur ne doit pas être encombré par des aliments.
- Ne mettez pas des aliments ou des boissons chaud(e)s dans le réfrigérateur.



4.3 Première utilisation

Avant de commencer à utiliser cet appareil, assurez-vous que toutes les procédures pré-installation sont effectuées conformément aux instructions des sections « Consignes importantes relatives à la sécurité et à l'environnement » et « Installation ».

- Nettoyez l'intérieur du réfrigérateur, comme recommandé dans la section « Entretien et nettoyage ». Assurez-vous que l'intérieur est sec avant de l'utiliser.
- Branchez le réfrigérateur dans la prise murale mise à la terre. Lorsque la porte est ouverte, l'éclairage intérieur s'allume.
- Laissez le réfrigérateur en marche sans y mettre d'aliments pendant 6 heures et, n'ouvrez pas ses portes à moins que cela soit vraiment nécessaire.



Vous remarquerez un bruit lorsque le compresseur se met en marche. Les liquides et les gaz intégrés au système de réfrigération peuvent également émettre du bruit, même si le compresseur n'est pas en marche. Ceci est tout à fait normal.

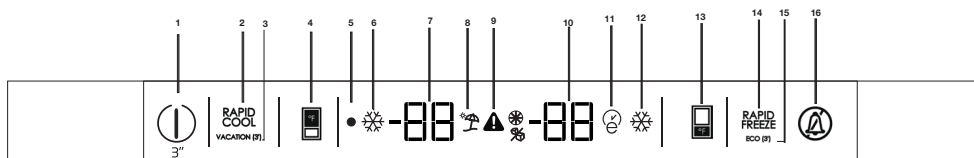


Les parties avant du réfrigérateur peuvent chauffer. Ce phénomène est normal. Ces zones doivent être chaudes pour éviter tout risque de condensation.

5 Utilisation de l'appareil

5.1 Bandeau de commandes

Le bandeau de commandes tactile vous permet de régler la température et de contrôler les autres fonctions liées à l'appareil sans ouvrir la porte du réfrigérateur. Appuyez simplement sur la touche correspondante pour le réglage des fonctions.



1-Fonction On/Off (Marche/Arrêt)

Appuyez sur la touche On/Off (Marche/Arrêt) pendant 3 secondes pour allumer ou éteindre le réfrigérateur.

2-Fonction Quick Fridge (Réfrigération rapide)

Lorsque vous appuyez sur la touche Quick Fridge (Réfrigération rapide), la température du compartiment sera plus froide que les valeurs réglées.

Utilisez cette fonction peut être utilisée pour les aliments disposés dans le compartiment réfrigérateur et qui nécessitent un refroidissement rapide.

Si vous souhaitez refroidir de grandes quantités d'aliments frais dans le réfrigérateur, nous vous recommandons d'activer au préalable cette fonction avant d'y disposer les aliments. Le voyant Quick Fridge reste allumé lorsque la fonction correspondante est activée. Pour annuler cette fonction, appuyez à nouveau sur la touche Quick Fridge. Le voyant Quick Fridge s'éteint et retourne à ses réglages par défaut.

La fonction Quick Fridge se désactive automatiquement si vous ne le faites pas, au bout de 2 heures, ou lorsque le compartiment réfrigérateur atteint la température requise. Cette fonction n'est pas réactivée lorsque le courant est rétabli après une panne de courant.

3-Fonction Vacation (Vacances)

Appuyez sur la touche Quick Fridge/Vacation pendant 3 secondes pour activer la fonction Vacation (Vacances). L'icône « -- » s'allume lorsque cette fonction est active. Pour désactiver cette fonction, appuyez à nouveau sur la même touche pendant 3 secondes ou sur la touche Fridge set (Réglage du réfrigérateur).

Lorsque la fonction Vacation (Vacances) est activée, une ligne/marque apparaît sur les valeurs réglées à l'écran du réfrigérateur

Lorsque le mode Vacances est activé, la température du compartiment d'aliments frais est supérieure à 50 degrés Fahrenheit (10 degrés Celsius). Il vous est donc déconseillé de laisser les aliments dans les tiroirs du compartiment d'aliments frais. La température du congélateur ne change pas.

4-Fonction Fridge Set (Réglage du réfrigérateur)

Cette fonction vous donne la possibilité de régler la température du compartiment réfrigérateur.

Appuyez sur cette touche pour régler la température du compartiment réfrigérateur à 47, 45, 43, 41, 39, 37, 35 ou 33 °C respectivement.

Utilisation de l'appareil

5-Voyant Off (Arrêt)

Le voyant Off s'allume lorsque le réfrigérateur est en mode « Off » (Arrêt).

6-Voyant Quick Fridge (Réfrigération rapide)

Cette icône s'allume lorsque la fonction Quick Fridge est activée.

7-Voyant Réglage de température du compartiment réfrigérateur

Indique le réglage de température pour le compartiment réfrigérateur.

8-Voyant Vacation (Vacances)

Cette icône s'allume lorsque la fonction Vacation (Vacances) est activée.

9-Voyant Erreur de température élevée / Avertissement

Cette icône s'allume en cas de défaillance de température élevée ou d'avertissement d'erreurs.

10-Compartiment congélateur

Le voyant de réglage de la température indique la température définie pour le compartiment congélateur.

11-Voyant Eco-Extra (Économie d'énergie supplémentaire)

Le voyant Eco-Extra (Économie d'énergie supplémentaire) s'allume lorsque la fonction Eco Extra est activée.

12-Voyant Quick Freeze (Congélation rapide)

Ce voyant s'allume lorsque la fonction Quick Freezer (Congélation rapide) est activée.

13-Fonction Freezer Set (Réglage du congélateur)

Cette fonction vous donne la possibilité de régler la température du compartiment congélateur.

Appuyez sur cette touche pour régler la température du compartiment congélateur à 0, - 2, - 4, - 6, - 8, - 10 ou - 12 respectivement.

14-Fonction Quick Freeze (Congélation rapide)

Le voyant Quick Freeze (Congélation rapide) s'allume lorsque la fonction correspondante est activée. Pour annuler cette fonction, appuyez à nouveau sur la touche Quick Freeze. Le voyant Quick Freeze s'éteint et retourne à ses réglages par défaut. La fonction Quick Freeze se désactive automatiquement si vous ne la faites pas, au bout de 4 heures, ou lorsque le compartiment congélateur atteint la température requise.

Si vous souhaitez congeler de grandes quantités d'aliments frais, appuyez d'abord sur la touche Quick Freeze avant d'y disposer les aliments. Si vous appuyez sur la touche Quick Freeze de façon répétée à des intervalles courts, cela active immédiatement la protection du circuit électronique.

Cette fonction n'est pas réactivée lorsque le courant est rétabli après une panne de courant.

15-Fonction Eco-Extra (Utilisation économique spéciale)

Appuyez sur la touche Quick Freeze/Eco Extra pendant 3 secondes pour activer la fonction Eco Extra. Le réfrigérateur commence à fonctionner sous le mode le plus économique au moins 6 heures plus tard, et le voyant Économie d'énergie s'allume lorsque la fonction est activée. Appuyez à nouveau sur la touche Quick Freeze pendant 3 secondes pour désactiver la fonction Eco Fuzzy.

16-Alarme désactivée

Lorsque la porte du réfrigérateur reste ouverte pendant 2 minutes ou lorsque le capteur est en panne, une alarme sonore retentit. Pour arrêter l'alarme, appuyez sur la touche « Alarme désactivée ».

L'alarme de dysfonctionnement du capteur ne retentira qu'en cas de panne électrique. Si vous fermez et ouvrez la porte, « l'alarme d'ouverture de porte » s'active à nouveau au bout de 2 minutes. Pour désactiver le message d'erreur « Température élevée », appuyez sur le bouton « Alarme désactivée ». Si l'erreur persiste, le message s'affichera à nouveau après un certain temps.

5.2 Double système de refroidissement

Votre réfrigérateur est équipé de deux systèmes de refroidissement séparés, destinés à refroidir le compartiment pour aliments frais et le compartiment congélateur. Grâce à ces systèmes de refroidissement séparés, les vitesses de réfrigération sont beaucoup plus élevées que pour des réfrigérateurs normaux. Par ailleurs, une économie d'énergie supplémentaire est garantie, car la décongélation se fait individuellement.

5.3 Congélation des aliments frais

- Enveloppez les aliments ou mettez-les dans un récipient couvert avant de les placer dans le réfrigérateur.
- Laissez refroidir les aliments et les boissons à la température ambiante avant de les placer au réfrigérateur.
- Les denrées que vous souhaitez congeler doivent être fraîches et en bon état.
- Divisez les aliments en portions en fonction des besoins quotidiens de la famille ou par repas.
- Les denrées doivent être emballées hermétiquement afin d'éviter qu'elles ne s'assèchent, même si elles ne doivent être conservées que pendant une courte période.

- Les matériaux utilisés pour l'emballage doivent être résistant aux déchirures, au froid, à l'humidité, et imperméables aux odeurs, aux huiles et aux acides ; ils doivent également être hermétiques. Par ailleurs, ils doivent être fermés correctement et être composés de matériaux simples d'utilisation adaptés à un usage dans un congélateur.
- Consommez immédiatement les denrées congelées après leur décongélation et ne les congelez plus à nouveau.
- Ne congelez pas de grandes quantités d'aliments à la fois. La qualité des aliments est préservée de façon optimale lorsqu'ils sont entièrement congelés aussi rapidement que possible.
- Le fait d'introduire des aliments chauds dans le congélateur entraîne le fonctionnement continu du système de refroidissement jusqu'à ce que les aliments soient entièrement congelés.

Utilisation de l'appareil

Réglage du compartiment congélateur	Réglage du compartiment réfrigérateur	Explications
-18 °C/0 °F	4°C/39°F	Voici le réglage normal recommandé.
-20°C/-4°F	3°C/37°F	Ces réglages sont recommandés lorsque la température ambiante est supérieure à 30 °C/86 °F.
Quick Freeze (Congélation rapide)	4°C/39°F	Utilisez cette fonction lorsque vous souhaitez congeler vos aliments en peu de temps. Le réfrigérateur retourne au mode de fonctionnement précédent lorsque ce processus est terminé.
-24°C/-12°F	2°C/35°F	Utilisez ces paramètres si vous estimez que le compartiment réfrigérateur n'est pas assez froid à cause de la chaleur ou des ouvertures/fermetures fréquentes de la porte.
Inférieure ou égale à -18 °C/0 °F	Quick Fridge (Réfrigération rapide)	Utilisez cette fonction lorsque vous mettez de grandes quantités d'aliments dans le compartiment réfrigérateur ou lorsque vous souhaitez refroidir rapidement vos denrées. Il est conseillé d'activer la fonction Quick Fridge (Réfrigération rapide) pendant 4 à 8 heures de temps avant de ranger les denrées.

Température de fonctionnement recommandée : FF : 4 °C/39 °F Frz : - 18 °C/0 °F

5.4 Recommandations relatives à la conservation des aliments congelés

- Les aliments surgelés que vous avez achetés doivent être conservés conformément aux instructions du fabricant sur les produits congelés pour un **✱ ***** (4 étoiles) compartiment de stockage de denrées alimentaires congelées.
- Afin de veiller à ce que la qualité supérieure recherchée par le fabricant et le détaillant des produits congelés soit atteinte, il convient de se rappeler les points suivants :
 1. Mettez les emballages dans le congélateur aussi rapidement que possible après achat.
 2. Assurez-vous que le contenu de l'emballage est étiqueté et daté.
 3. Vérifiez que les mentions « À consommer avant le » et « À consommer de préférence avant le » figurant sur l'emballage sont respectées.

5.5 Disposition des aliments

Clayettes du compartiment congélateur	Différentes denrées congelées comme de la viande, du poisson, des crèmes glacées, des légumes, etc.
Œufrier	Œufs
Clayettes du compartiment réfrigérateur	Aliments dans les casseroles, les assiettes couvertes et les récipients fermés
Balconnets du compartiment réfrigérateur	Produits ou boissons de petite taille et sous emballage (comme du lait, des jus de fruits ou de la bière, etc.)
Bac à légumes	Fruits et légumes
Compartiment refroidisseur	Produits délicats (fromage, beurre, salami, etc.)

5.6 Informations relatives à la congélation

Les denrées doivent être congelées le plus rapidement possible lorsqu'elles sont placées dans un réfrigérateur, afin de préserver leur qualité. Vous pouvez conserver la fraîcheur de vos denrées pendant de nombreux mois (à des températures inférieures ou égales à - 18 °C/0 °F dans le congélateur).

Utilisation de l'appareil



Divisez les aliments en portions en fonction des besoins quotidiens de la famille ou par repas.



Les denrées doivent être emballées hermétiquement afin d'éviter qu'elles ne s'assèchent, même si elles ne doivent être conservées que pendant une courte période.

- Matériaux nécessaires à l'emballage :
- Ruban adhésif résistant au froid
- Étiquette autocollante
- Anneaux en caoutchouc
- Stylo

Les matériaux utilisés pour l'emballage des aliments doivent être résistant aux déchirures, au froid, à l'humidité, et imperméables aux odeurs, aux huiles et aux acides.

Il faut éviter que les denrées à congeler n'entrent en contact avec des aliments déjà congelés afin d'empêcher le dégel partiel de ces derniers.

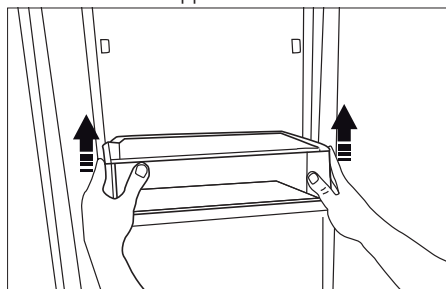


Consommez immédiatement les denrées congelées après leur décongélation et ne les congelez plus à nouveau.

5.7 Retrait des balconnets

Vous pouvez retirer les balconnets afin de les nettoyer. Poussez le balconnet que vous souhaitez nettoyer vers le haut, afin de le retirer. Ne retirez pas le balconnet lorsqu'il contient des aliments.

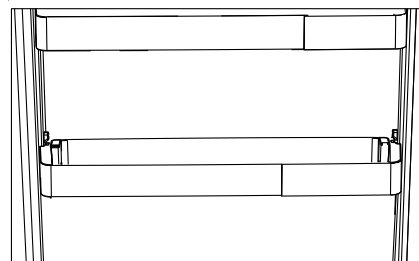
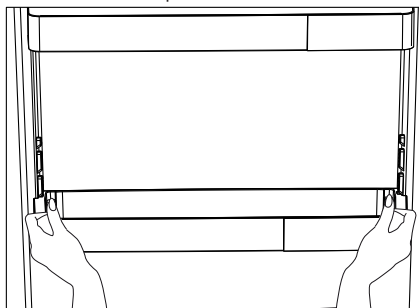
Videz tout d'abord l'appareil de tout matériel.



5.8 Balconnets amovibles

*en option

Les balconnets amovibles peuvent être fixées de 3 manières différentes. Pour déplacer les balconnets, appuyez simultanément sur les boutons situés sur le côté. Ainsi, les balconnets sont amovibles. Déplacez les balconnets vers le haut ou vers le bas. Une fois que cette dernière se trouve dans la position de votre choix, relâchez les boutons. Assurez-vous que les balconnets sont fixées à nouveau dans la position initiale.



5.9 Clayettes en verre

Vous pouvez retirer les clayettes en verre afin de les nettoyer. Soyez prudents lorsque vous retirez les clayettes car ils pèsent.

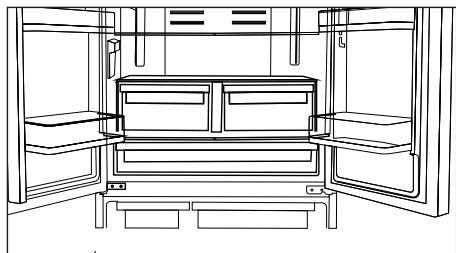
5.10 Compartiment refroidisseur (pour certains modèles)

Les compartiments refroidisseurs vous permettent d'apprêter des aliments destinés à la congélation. Vous pouvez également utiliser ces compartiments si vous souhaitez conserver vos aliments à une température quelque peu inférieure à celle du compartiment de réfrigération.

Utilisation de l'appareil

Vous pouvez augmenter le volume interne de votre réfrigérateur en retirant le compartiment refroidisseur souhaité :

1. Tirez le compartiment vers vous jusqu'à ce qu'il se bloque.
2. Soulevez le compartiment d'environ 1 cm et tirez-le vers vous pour le retirer de son support.



5.11 Bac à légumes

Le bac à légumes du réfrigérateur a été spécialement conçu pour vous aider à conserver vos denrées au frais sans que celles-ci n'aient à perdre de leur humidité. C'est pourquoi en général, l'air frais circule davantage tout autour du bac à légumes. Enlevez les balconnets alignés contre le bac à légumes avant de retirer les bacs à légumes.

5.12 Bac à légumes à humidité contrôlée

(EverFresh+)

(Cette caractéristique est en option)

Le taux d'humidité des fruits et des légumes est maintenu sous contrôle grâce au bac à humidité contrôlée. Vous avez ainsi la garantie que vos produits restent frais longtemps.

Si possible, placez les légumes feuillus tels que la laitue, les épinards et les autres légumes générant une perte d'humidité à l'horizontale à l'intérieur du bac, et non sur leurs racines, en position verticale.

Une fois les légumes placés dans le bac, il faut prendre en considération le poids spécifique des légumes. Les légumes lourds et durs doivent être disposés au fond du bac, tandis que les plus légers et tendres seront placés au-dessus.

Ne laissez jamais les légumes dans leurs sachets,

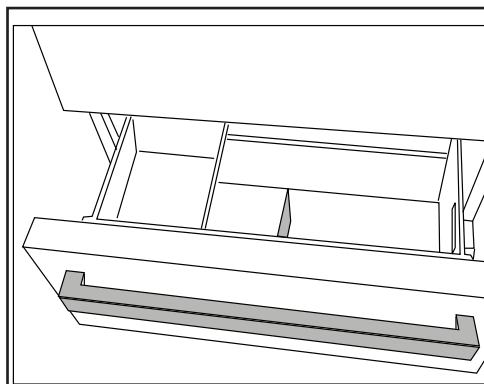
à l'intérieur du bac à légumes. Si vous laissez les légumes dans leurs sachets, ils se décomposeront en très peu de temps. Pour des raisons d'hygiène, il vaut mieux éviter le contact de l'emballage avec d'autres légumes, préférez un papier perforé ou tout autre emballage similaire plutôt que le sachet.

5.13 Bac à glace

Le bac à glace permet de recueillir les glaçons de la machine à glaçons. Ne versez pas d'eau à l'intérieur du récipient à glace pour obtenir des glaçons de peur de l'endommager. Le récipient à glace n'est pas prévu pour y conserver des aliments.



La machine à glaçons peut produire des glaçons lorsque le récipient à glace est ouvert.

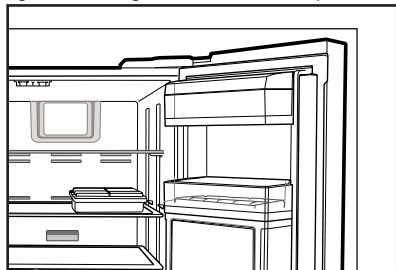


Utilisation de l'appareil

Ne rangez pas ensemble dans le même bac, les poires, les abricots, les pêches, etc. ainsi que les pommes, en particulier celles générant un niveau élevé de gaz d'éthylène, avec les autres fruits et légumes. Le gaz d'éthylène émis par ces premiers fruits peut accélérer la détérioration et la décomposition des autres en très peu de temps.

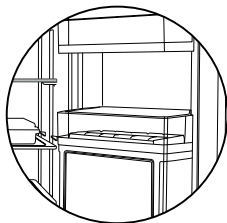
5.14 Casier à beurre et à fromage (pour certains modèles)

Conservez des aliments tels que le beurre, le fromage et la margarine dans ce compartiment.



5.15 Boîte à oeufs

Installez le boîte à oeufs dans le balconnet ou le tiroir souhaité. Ne conservez jamais les oeufs dans le compartiment congélateur.

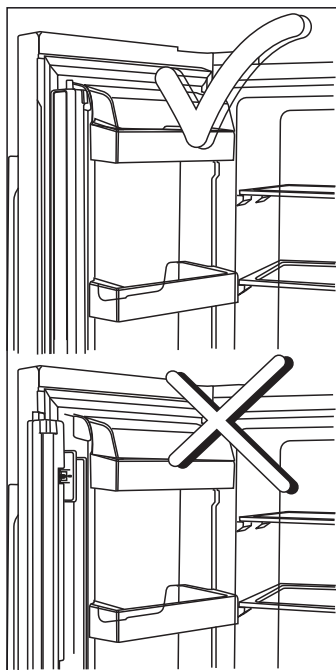


5.16 Section centrale mobile

La section centrale mobile est destinée à empêcher l'air froid contenu à l'intérieur du réfrigérateur de s'échapper. Un scellement est fourni lorsque les joints d'étanchéité situés sur la porte entre en contact avec la section centrale mobile lorsque les portes du compartiment réfrigérateur sont fermées.



La section centrale mobile est fermée lorsque la porte gauche du compartiment réfrigérateur est ouverte. Pour déplacer la section centrale mobile, utilisez la partie en plastique du corps lorsque vous fermez la porte. N'essayez pas de l'ouvrir manuellement.



5.17 Bluelight

(pour certains modèles)

Les bacs à légumes du réfrigérateur sont éclairés par une lumière bleue. Les denrées conservées dans les bacs à légumes continuent leur photosynthèse grâce aux effets de longueur d'onde de la lumière bleue et conservent ainsi leur fraîcheur et leur teneur en vitamines.

5.18 Ioniseur

(pour certains modèles)

L'air est ionisé au moyen du système d'ionisation qui se trouve dans le conduit d'aération du compartiment réfrigérateur. Grâce à ce système, les bactéries et les molécules en suspension dans l'air qui sont à l'origine des odeurs sont éliminées.

5.19 Filtre d'odeurs

(pour certains modèles)

Le filtre d'odeurs situé dans le conduit d'aération de du compartiment réfrigérateur empêche la formation d'odeurs désagréables dans le réfrigérateur.

5.20 Utilisation du distributeur d'eau interne

(pour certains modèles)

Une fois que vous avez raccordé le réfrigérateur à une source d'alimentation ou remplacé, vidangez le réseau d'alimentation en eau. Utilisez un récipient solide pour abaisser et tenir le levier du distributeur d'eau pendant 5 secondes, puis relâchez-le pendant 5 secondes. Répétez cette étape jusqu'à ce que l'eau s'écoule. Une fois que l'eau commence à s'écouler, continuez d'abaisser et de relâcher le levier du distributeur (5 secondes en position marche, 5 secondes en position arrêt) jusqu'à obtention d'un nombre total de 4 gal. (15 l). Cela permet de libérer l'air contenu dans le filtre et le système de distribution d'eau et de préparer le filtre à eau pour l'utilisation. Un rinçage supplémentaire peut être nécessaire dans certains cas. Une fois l'air évacué du système, l'eau peut jaillir du distributeur.

Laissez 24 heures au réfrigérateur pour qu'il refroidisse et refroidisse l'eau. Laissez s'écouler suffisamment d'eau chaque semaine afin de maintenir une source d'approvisionnement fraîche.



Après 5 minutes d'écoulement continu, le distributeur arrête la distribution afin d'éviter tout débordement. Pour poursuivre la distribution, appuyez à nouveau sur le levier.

5.21 Distribution d'eau

Placez un récipient sous le bec distributeur d'eau tout en appuyant sur le levier. Relâchez le levier pour arrêter l'écoulement d'eau.

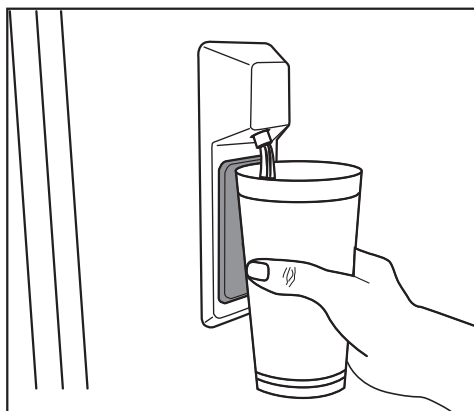


Il est tout à fait normal que les premiers verres d'eau obtenus du distributeur soient chauds.



Si vous n'utilisez pas le distributeur d'eau pendant une période prolongée, débarrassez-vous des premiers verres d'eau afin d'obtenir de l'eau fraîche.

Lors de la première utilisation, patientez pendant environ 24 heures afin que l'eau refroidisse.



5.22 Utilisation du distributeur d'eau



Avant d'utiliser votre réfrigérateur pour la première fois, et une fois le filtre à eau remplacé, des gouttes d'eau s'écoulent du distributeur d'eau. Pour éviter l'égouttement ou les fuites d'eau provenant du distributeur, purgez l'air contenu dans le système en répartissant l'eau dans 5-6 gallons (environ 20 litres) d'eau à l'aide du distributeur d'eau, avant la première utilisation et chaque fois que vous remplacez le filtre à eau. Cela permet de libérer l'air piégé dans le système et d'arrêter les fuites d'eau émanant du distributeur d'eau. En cas d'obstruction du débit d'eau, vérifiez la position de l'accouplement et la rectitude de la conduite d'eau située à l'arrière de l'appareil.



Si juste quelques gouttes d'eau fuient de votre distributeur d'eau une fois l'eau écoulée, cela est normal.

5.23 Distributeur de glaçons

(pour certains modèles)

Pour obtenir des glaçons grâce à cette machine, remplissez le réservoir d'eau du compartiment réfrigérateur jusqu'au niveau maximum.

Après environ 15 jours, les glaçons se trouvant à l'intérieur du tiroir à glace peuvent se coller les uns aux autres et former un bloc en raison de l'air chaud et humide. Ce phénomène est normal. Si vous ne parvenez pas à briser le bloc, videz les récipients à glaçons et fabriquez à nouveau des glaçons.



Il est recommandé de changer l'eau du réservoir d'eau si elle y est restée pendant plus de 2 à 3 semaines.



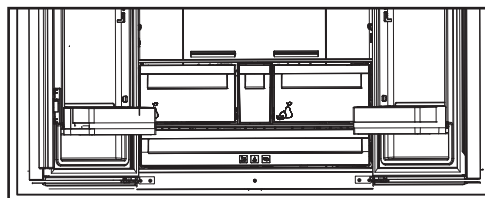
Les bruits étranges provenant du réfrigérateur à 120 minutes d'intervalles sont des sons émis pendant la fabrication et la distribution de glaçons. Ce phénomène est normal.



Si vous ne souhaitez plus fabriquer des glaçons, appuyez sur l'icône Ice off pour arrêter le distributeur de glaçons afin d'économiser de l'énergie et prolonger la durée de vie de votre réfrigérateur.



Il est tout à fait normal que quelques gouttes d'eau s'écoulent du distributeur après le retrait de l'eau.



5.24 Distributeur et récipient de conservation de glaçons

(pour certains modèles)

Utilisation du distributeur

Remplissez le distributeur de glaçons avec de l'eau et remettez-le à sa place. Vos glaçons seront prêts dans environ deux heures. Ne pas retirer le distributeur de glaçons de son logement pour prendre de la glace.

Tournez les molettes des réservoirs à glaçons dans le sens des aiguilles d'une montre, de manière à former un angle de 90 degrés.

Les glaçons contenus dans les réservoirs tomberont dans le récipient de conservation de glaçons situé en dessous.

Vous pouvez alors sortir le récipient de conservation de glaçons et servir les glaçons.

Si vous le désirez, vous pouvez laisser les glaçons dans leur récipient de conservation.

Récipient de conservation de glaçons

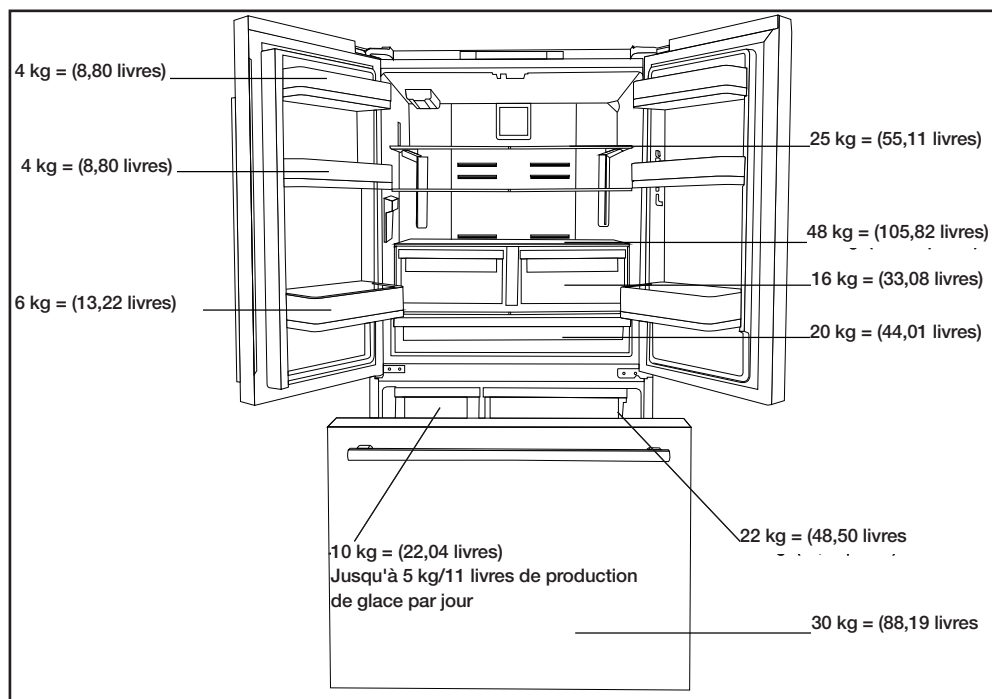
Le récipient de conservation de glaçons sert simplement à accumuler les glaçons. Ne versez pas d'eau à l'intérieur. Cela peut le casser.

5.25 Limites de poids des clayettes du réfrigérateur

Les clayettes en porte-à-faux du compartiment pour aliments frais, celles qui sont dotées uniquement de supports arrière, ont été testées pour supporter chacune un poids maximal de 25 kg (55 livres).

Les bacs à légumes peuvent supporter jusqu'à 15 kg (33 livres) chacun. Le compartiment refroidisseur peut supporter jusqu'à 20 kg (44 livres). Ce sont des charges dynamiques pour les bacs à légumes et le compartiment refroidisseur.

Le bac à glaçons peut supporter jusqu'à 10 kg (22 livres) ; utilisez-le sans glaçons. Le bac à glaçons situé dans la partie supérieure du congélateur peut supporter jusqu'à 24 kg (53 livres) et le tiroir 30 kg (66 livres). Ce sont des charges dynamiques pour le bac à glaçons, celui situé dans la partie supérieure du congélateur et le tiroir.



6. Entretien et nettoyage

Lorsque vous nettoyez votre appareil à des intervalles de temps réguliers, cela prolonge la durée de vie de ce dernier et réduit les problèmes généralement rencontrés.



AVERTISSEMENT : Débranchez l'appareil avant de le nettoyer.

- N'utilisez jamais d'essence, de benzène ou de matériaux similaires pour le nettoyage.
- N'utilisez jamais d'outils tranchants ou abrasifs, savon, produits de nettoyage domestique, détergent ou d'encaustique pour le nettoyage.
- Dissolvez une cuillerée à café de carbonate dans un demi-litre d'eau. Trempez un chiffon dans cette solution et essorez-le complètement. Nettoyez soigneusement l'intérieur du réfrigérateur avec ce chiffon et séchez ensuite à l'aide d'un chiffon sec.
- Ne laissez pénétrer aucun liquide dans le logement de lampe ou dans tout autre dispositif électrique.
- Si vous n'utilisez pas le réfrigérateur pendant une période prolongée, débranchez-le, retirez-y tous les aliments, nettoyez-le et laissez la porte entrouverte.
- Vérifiez régulièrement que les joints des portes sont propres. Si tel n'est pas le cas, nettoyez-les.
- Pour retirer les balconnets ou les clayettes, videz-les de tout leur contenu.
- Retirez les balconnets en les tirant vers le haut. Après les avoir nettoyé, faites-les glisser du haut vers le bas pour les remettre en place.
- N'utilisez jamais des produits nettoyants ou de l'eau contenant du chlore pour le nettoyage des surfaces externes et des pièces revêtues de chrome de l'appareil. Le chlore entraîne la corrosion de ces surfaces métalliques.

6.1 Prévention des mauvaises odeurs

Les matériaux susceptibles d'être à l'origine d'une odeur ne sont pas utilisés dans la fabrication de nos réfrigérateurs. Cependant, des conditions de conservation inappropriées et le non nettoyage de la surface interne du réfrigérateur tel que recommandé peuvent vous amener à être confronté au problème d'odeur. Pour éviter les problèmes d'odeur, faites attention aux points suivants :

- Il est important de garder votre réfrigérateur propre. Les résidus d'aliments, les taches, etc. peuvent être à l'origine des odeurs. Par conséquent, nettoyez le réfrigérateur avec du carbonate dissout dans de l'eau, tous les 15 jours. N'utilisez jamais de détergent ou de savon.
- Conservez les aliments dans des récipients fermés. Les micro-organismes issus de récipients non fermés peuvent dégager des odeurs désagréables.
- Ne conservez jamais les aliments dont la date d'expiration est déjà dépassée et des aliments pourris dans le réfrigérateur.

6.2 Protection des surfaces en plastique

Ne placez pas d'huiles ou de plats huileux dans le réfrigérateur dans des récipients non fermés, car les graisses peuvent endommager les surfaces en plastique du réfrigérateur. Si vous versez ou éclaboussez de l'huile sur les surfaces en plastique, nettoyez et lavez immédiatement les parties souillées avec de l'eau chaude.

Vérifiez la liste suivante avant de contacter le service après-vente. Cela vous permet de gagner du temps et de l'argent. Cette liste contient les problèmes fréquemment rencontrés qui ne sont pas le résultat d'un défaut de fabrication ou d'une mauvaise utilisation des matériaux. Il se peut que votre appareil ne présente pas certaines des caractéristiques décrites ici.

Le réfrigérateur ne fonctionne pas.

- Il peut ne pas être branché comme il se doit. >>>Branchez l'appareil correctement.
- Le fusible de la prise à laquelle votre réfrigérateur est branché ou le fusible principal a peut-être sauté. >>>Vérifiez le fusible.

Condensation sur la paroi intérieure du compartiment réfrigérateur. (MULTI ZONE, COOL CONTROL et FLEXI ZONE).

- La porte peut avoir été ouverte/fermée fréquemment. Évitez d'ouvrir/de fermer la porte du réfrigérateur fréquemment.
- L'environnement peut être trop humide. >>>N'installez pas le réfrigérateur à des endroits très humides.
- Les aliments contenant du liquide peuvent avoir été placés au réfrigérateur dans des récipients sans couvercle. >>>Assurez-vous que des aliments contenant du liquide rangés dans des récipients non fermés ne soient pas placés dans le réfrigérateur.
- La porte du réfrigérateur peut avoir été laissée entrouverte. >>>Ne gardez pas longtemps les portes de votre réfrigérateur ouvertes.
- Le thermostat peut avoir été réglé à un niveau très froid. >>>Réglez le thermostat à un niveau approprié.

Le compresseur ne fonctionne pas.

- Le dispositif de protection thermique du compresseur sautera en cas de coupures soudaines du courant ou de débranchement intempestif, en effet la pression du liquide réfrigérant du système de refroidissement ne sera pas équilibrée. Le réfrigérateur recommence à fonctionner normalement après 6 minutes environ. Si le réfrigérateur ne démarre pas à la fin de cette période, veuillez appeler le prestataire de services agréé.
- Le congélateur est en mode dégivrage. >>>Ceci est normal pour un réfrigérateur qui effectue le dégivrage entièrement automatique. Le cycle de dégivrage est effectué périodiquement.
- Le réfrigérateur ne doit pas être branché. >>>Assurez-vous que la fiche est bien insérée dans la prise.
- Les réglages de température peuvent être incorrects. >>>Sélectionnez la valeur de température correcte.
- Panne de courant possible. >>>Le réfrigérateur commence à fonctionner normalement une fois que l'alimentation est rétablie.

Le niveau sonore augmente lorsque le réfrigérateur est en marche.

- Les performances de fonctionnement du réfrigérateur peuvent varier en fonction des variations de température ambiante. Cela est normal et n'est pas un défaut.

Le réfrigérateur fonctionne fréquemment ou pendant de longues périodes.

Dépannage

- Votre nouveau réfrigérateur est peut-être plus grand que l'ancien. Les grands réfrigérateurs durent plus longtemps.
- La température de la pièce est probablement élevée. >>> Il est normal que l'appareil fonctionne plus longtemps dans des environnements chauds.
- Il se peut que le réfrigérateur ait été branché ou chargé d'aliments. >>> Il faut plus de temps à l'appareil pour atteindre la température réglée lorsqu'il vient d'être branché ou chargé. Ce phénomène est normal.
- De grandes quantités d'aliments chauds ont peut-être été mises au réfrigérateur récemment. >>> Ne placez pas les aliments chauds dans le réfrigérateur.
- Les portes peuvent avoir été ouvertes fréquemment ou laissées entrouvertes depuis longtemps. >>> L'air chaud qui pénètre dans le réfrigérateur le fait fonctionner plus longtemps. N'ouvrez pas les portes fréquemment.
- Les portes des compartiments congélateur et réfrigérateur ont été laissées entrouvertes. >>> Assurez-vous que les portes sont bien fermées.
- L'appareil peut être réglé à une température très basse. >>> Réglez la température du réfrigérateur à un degré plus chaud et patientez que l'appareil atteigne ce niveau de température.
- Le joint de porte du réfrigérateur ou du compartiment congélateur peut être sale, usé, brisé ou mal fixé. >>> Nettoyez ou remplacez le joint. Tout joint endommagé/brisé fait fonctionner le réfrigérateur pendant une période de temps plus longue afin de conserver la température actuelle.

La température du réfrigérateur est adéquate, mais la température du congélateur est très basse.

- La température du compartiment congélateur peut être réglée à une valeur très basse. >>> Réglez la température du compartiment congélateur à une valeur supérieure et vérifiez.

La température du congélateur est adéquate, mais la température du réfrigérateur est très basse.

- Le réfrigérateur est réglé à une température très basse. >>> Réglez la température du réfrigérateur à un degré supérieur et vérifiez.

Les denrées conservées dans les tiroirs du compartiment de réfrigération sont congelées.

- La température du compartiment réfrigérateur peut être réglée à une valeur très élevée. >>> Réglez la température du compartiment réfrigérateur à une valeur inférieure et vérifiez.

La température dans le réfrigérateur ou le congélateur est très élevée.

- La température du compartiment réfrigérateur peut être réglée à une température très élevée. >>> Le réglage du compartiment réfrigérant a un effet sur la température du congélateur. Modifiez la température du réfrigérateur ou du compartiment congélateur jusqu'à ce que la température du réfrigérateur ou du compartiment congélateur atteigne un niveau adéquat.
- Les portes peuvent avoir été ouvertes fréquemment ou laissées entrouvertes depuis longtemps. >>> N'ouvrez pas les portes fréquemment.
- La porte a peut-être été laissée entrouverte. >>> Fermez complètement la porte.
- Le réfrigérateur était peut-être tout simplement branché ou chargé d'aliment. >>> Ce phénomène est normal. Il faut plus de temps à l'appareil pour atteindre la température réglée lorsqu'il vient d'être branché ou chargé.
- De grandes quantités d'aliments chauds ont peut-être été mises au réfrigérateur récemment. >>> Ne placez pas les aliments chauds dans le réfrigérateur.

Vibrations ou bruits.

Dépannage

- Le plancher peut ne pas être stable ou de niveau. >>>Si le réfrigérateur vibre légèrement, ajustez l'alimentation pour l'équilibrer. Assurez-vous que le sol est de niveau et capable de supporter le poids du réfrigérateur.
- Les objets placés sur le réfrigérateur peuvent causer du bruit. >>>Retirez tout objet placé sur le réfrigérateur.

Le réfrigérateur produit des bruits semblables à de l'eau qui coule ou à la pulvérisation d'un liquide.

- Les écoulements de liquide et de gaz surviennent conformément aux principes de fonctionnement du réfrigérateur. >>>Ce phénomène est normal et n'est pas considéré comme un défaut.

Le réfrigérateur émet un sifflement.

- Votre appareil est doté de ventilateurs qui servent à le refroidir. Cela est normal et n'est pas un défaut.

L'humidité s'accumule sur les parois intérieures du réfrigérateur.

- Un temps chaud et humide augmente la formation de givre et de condensation. Cela est normal et n'est pas un défaut.
- Les portes peuvent avoir été ouvertes fréquemment ou laissées entrouvertes depuis longtemps. >>>N'ouvrez pas les portes fréquemment. Fermez les portes, si elles sont ouvertes.
- La porte a peut-être été laissée entrouverte. >>>Fermez complètement la porte.

L'humidité est présente sur la surface extérieure du réfrigérateur ou entre les portes.

- L'air peut être humide. C'est tout à fait normal par temps humide. >>>La condensation disparaît une fois que le taux d'humidité diminue.
- L'espace présent entre deux portes du réfrigérateur peut présenter de l'humidité si vous utilisez rarement votre appareil. Ce phénomène est normal. Cette humidité disparaît en cas d'utilisation fréquente du réfrigérateur.

L'intérieur du réfrigérateur dégage une mauvaise odeur.

- L'appareil n'a peut-être pas été nettoyé régulièrement. Nettoyez l'intérieur du réfrigérateur avec une éponge, de l'eau tiède ou de l'eau gazeuse.
- Certains récipients ou matériaux d'emballage peuvent provoquer des odeurs. >>>Utilisez un autre récipient ou du matériel d'emballage d'une autre marque.
- Les aliments peuvent avoir été mis au réfrigérateur dans des récipients sans couvercle. >>>Conservez les aliments dans des récipients fermés. Les micro-organismes émis par les récipients sans couvercle peuvent provoquer des odeurs désagréables.
- Sortez les aliments périmés ou abîmés du réfrigérateur.

Il est impossible de fermer la porte.

- Des récipients peuvent empêcher la porte de se fermer. >>> Repérez les emballages qui obstruent la porte.
- Le réfrigérateur peut être instable sur le sol. >>>Ajustez les pieds du réfrigérateur au besoin pour le garder en équilibre.
- Le plancher peut ne pas être de niveau ou solide. >>>Assurez-vous que le plancher est de niveau et qu'il peut supporter le poids du réfrigérateur..

Les bacs à légumes sont coincés.

- Les aliments peuvent toucher la paroi supérieure du bac à légumes. >>>Réorganisez les aliments dans le bac à légumes.

Si la surface de l'appareil est chaude

Vous pouvez observer une élévation de la température entre les deux portes, sur les panneaux latéraux et au niveau de la grille arrière pendant le fonctionnement de l'appareil. Ce phénomène est normal et ne nécessite aucune opération d'entretien !

Le ventilateur continue de fonctionner lorsque la porte est ouverte.

Le ventilateur peut continuer de fonctionner lorsque la porte du congélateur est ouverte.



AVERTISSEMENT : Si vous ne parvenez pas à résoudre le problème même après avoir suivi les instructions données dans cette section, contactez votre revendeur ou le prestataire de services agréé. N'essayez jamais de réparer un appareil défectueux.

