



Slide-In Range

CGDS3065PF

30" Dual-Fuel



Product Dimensions

Height (Max.)	36-5/8"
Width	30"
Depth	28-5/16"

More Easy-To-Use Features

One-Touch Options

Our ovens feature easy-to-use one touch buttons so you can keep foods warm — with the touch of a button.

Effortless™ Convection

Takes the guesswork out of convection cooking — our oven automatically adjusts standard baking temperatures to convection temperatures for consistent results.

Effortless™ Oven Rack

Bottom rack extends when you open the door for easy access.

Continuous Grates

Continuous grates make it easy to move heavy pots and pans across burners without lifting.

Dual-Fuel Technology

Features the power of a gas cooktop and the precision of an electric oven for baking, so you get maximum versatility.

Sabbath Mode (Star-K® Certified)

Available in:

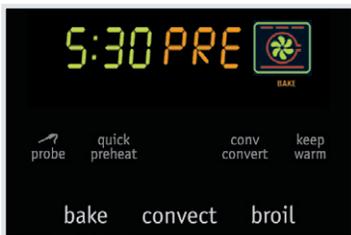


Stainless
(F)

Burners	BTU
Right Front	17,000
Right Rear	5,000
Left Front	9,500
Left Rear	15,000

Based on single rack cooking performance, not set temperature, using Quick Preheat.

Signature Features



Quick Preheat

Preheat in just a few minutes.¹



True Convection

Single convection fan circulates hot air throughout the oven for faster and more even multi-rack baking.



Quick Clean

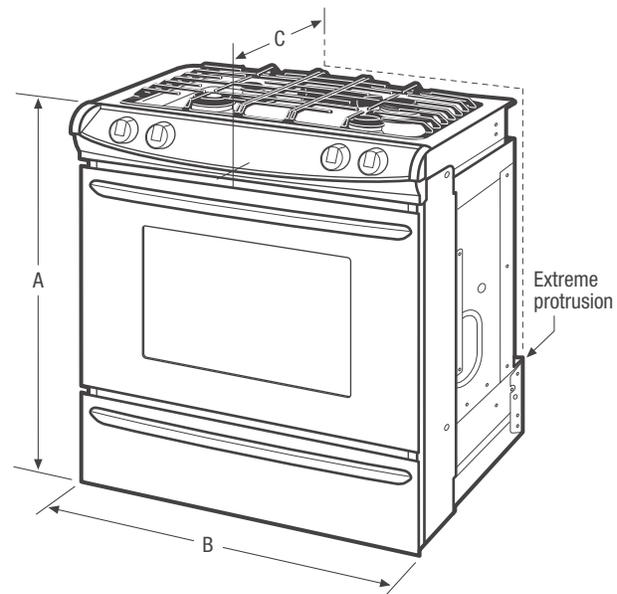
Quickly clean your oven in 2 hours with our quick self-clean cycle.



Smudge-Proof™ Stainless Steel

Resists fingerprints and is easy to clean.

Features	
Oven Control/Timing System	Express-Select®
Surface Type	Black Porcelain
Sealed Gas Burners	Yes
Grates	Continuous Cast Iron w/Black Matte Finish
Window	Extra-Large
Exterior Door Finish	Smudge-Proof™ Stainless Steel
Handle Design	Stainless Steel
Exterior Finish (Side Panels)	Black
Convection System	True Convection
Oven Cleaning System	Self-Clean
Drawer Functionality	Storage
Oven Controls	
Bake/Broil	Yes/Variable (400-550 °F)
Effortless™ Convection Conversion	Yes
Convection Bake/Broil/Roast	Yes/Yes/Yes
Quick Preheat	Yes
My Favourite	
Chicken Nugget Button	
Pizza Button	
Keep Warm	Yes
Add-a-Minute	
Delay Start	Yes
Self Clean / Clean Options	Yes/2, 3, 4 Hours
Steam Clean	Yes
Quick Clean Option	2 Hours
Delay Clean	Yes
Kitchen Timer / Timed Cook Option	Yes/Yes
Auto Oven Shut-Off	6 Hours
Lower Drawer Control	
Cooktop Features	
Right Front Burner (BTU)	17,000
Right Rear Burner (BTU)	5,000
Left Front Burner (BTU)	9,500
Left Rear Burner (BTU)	15,000
Oven Features	
Capacity (Cu. Ft.)	4.6
Oven Light	2
Hidden Bake Element	Yes
Rack Configuration	1 Heavy Duty, 1 Offset, 1 Effortless™
Baking System	Even Baking Technology
Broiling System	Variable
Bake Element / Broil Element (Watts)	2,500 / 3,400
Drawer Rack	
Certifications	
Sabbath Mode (Star-K® Certified)	Yes
Specifications	
Oven Interior (H x W x D)	17-1/2" x 24-1/8" x 18-3/4"
Power Supply Connection Location	Left Bottom Rear
Gas Supply Connection Location	Right Bottom Rear
LP Gas Conversion Kit	Included
Voltage Rating	240V / 208V / 60 Hz
Connected Load (kW Rating) @ 240 / 208 Volts	3.7 / 2.8
Amps @ 240 / 208 Volts	15.4 / 13.5
Minimum Circuit Required (Amps)	30
Shipping Weight (Approx.)	250 Lbs.



NOTE: For planning purposes only. Always consult local and national electric and gas codes. Refer to Product Installation Guide for detailed installation instructions on the web at frigidaire.ca.



Product Dimensions		Cutout Dimensions	
A - Height (Max.)	36-5/8"	Height (Min.) / (Max.)	35-7/8" / 36-5/8"
B - Width	30"	Width (Min.) / (Max.)*	29-15/16" / 30-1/16"
C - Depth	28-5/16"	Depth (Min.) / (Max.)**	21-3/4" / 22-1/8"
Depth with Door Open 90°	45-1/2"		

*Cutout and countertop cutout width should match.
**24" with optional backguard installed.

Accessories information available on the web at frigidaire.ca