

FRIGIDAIRE GALLERY

Microwaves CGMV176NT D/F/W

30" Over-The-Range



Product Dimensions

Height	16-13/32"
Width	29-7/8"
Depth	15-1/32"

More Easy-To-Use Features

Effortless™ Reheat

Reheat almost anything at the touch of a button.

Interior LED Lighting

See the results in action, as the LED interior microwave light stays on while you cook.

SpaceWise® Rack

Our SpaceWise® Rack creates more room so you can cook multiple dishes at once.

One-Touch Options

Our microwaves feature easy-to-use one-touch buttons so you can cook baked potatoes, popcorn or even add 30 seconds with the touch of a button.

Smudge-Proof™ Stainless Steel¹

Resists fingerprints and cleans easily.

Extra-Large 13-1/2" Diameter Glass Turntable

Big bowls and large casserole dishes are no problem for our extra-large glass turntable. It rotates for even cooking.

Available in:



Black
Stainless
(D)



Stainless
(F)



White
(W)

¹Select models only.

Signature Features



Effortless™ Clean Interior

Keep your microwave clean by easily wiping away grease, food, or oil from the Effortless™ Clean Interior Surface.



Sensor Cooking

Microwave automatically adjusts power levels and cooking times to cook a variety of items, effortlessly.



LED Cooktop Lighting

Make meal preparation and cooking simple with LED lighting that offers a clear, bright view of your cooktop.

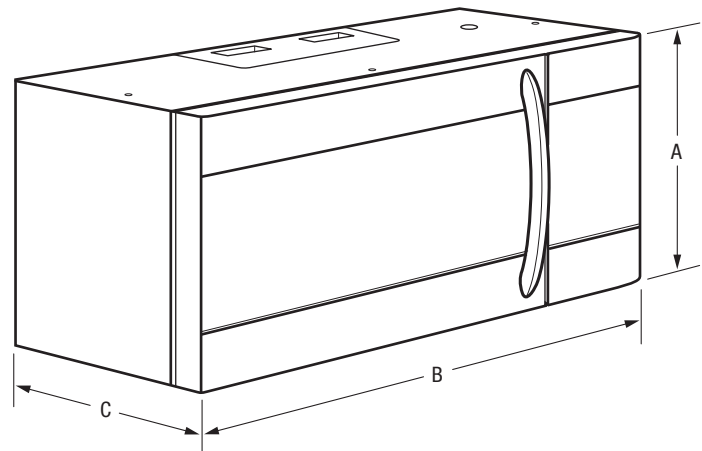


Over 30 Options

Versatile settings include: Chicken nuggets and snacks.

Features	
Control/ Timing System	Express-Select®
Exterior Door Finish	Smudge-Proof™ Stainless Steel (D/F), Colour-Coord.(W)
Handle Design	Smudge-Proof™ Stainless Steel (D/F), Colour-Coord.(W)
Microwave Capacity (Cu.Ft.)	1.7
Convection	
Watts (IEC-705 Test Procedure)	1,000
Interior Light	LED
Interior Colour	White
Turntable Diameter	13-1/2"
Turntable On/Off	Yes
Control Lock	Yes
Clock	Yes
Touch Pad Buttons	27
Power Levels	High (1-9)
Sound Level Options	4
Accessory Metal Rack	Yes (1)
Microwave Control Options	
Popcorn Button	Yes
Baked Potato Button	Yes
Sensor Reheat Button	Yes
Snack Button	Yes
Beverage	Yes
Melt & Soften Options	4
Auto Reheat Options	
Snack Menu Options	5
Auto Cook Options	10
Auto Defrost Options	3
Multi-Stage Cooking Option	
Keep Warm	
Add-30-Seconds	Yes
Sensor Cooking Options	Yes
Vegetable Cook Sensor	Yes
Quick Start	Yes (1-9)
Delay Start	
User Preferences	Yes
Power Save (No Clock Display)	Yes
Ventilation System	
Ducted/ Ductless Installation Option	Yes
Exhaust Fan (CFM)	2-Speed 170 / 300
Cooktop Light	2 LED Cluster
Auto-Start Heat Sensor	Yes
Dishwasher-Safe Vent Filter (Ductless Installation)	Yes
Power Ratings	
Frequency (MHz)	2,450
Watts @ 120 Volts	1,000
Amps @ 120 Volts	14.2
Optional Accessories	
Charcoal Filter	Included
Specifications	
Oven Interior (HxWxD)	9-7/16" x 20-15/16" x 14-13/32"
Power Supply Connection Location	Right Top Rear
Voltage Rating	120V / 60Hz / 15A
Connected Load (kW Rating) @ 120 Volts ¹	1.6
Minimum Circuit Required (Amps)	15
Shipping Weight (Approx.)	62 Lbs.

¹For use on adequately wired 120V, dedicated circuit having 2-wire service with a separate ground wire. Appliance must be grounded for safe operation.



NOTE: For planning purposes only. Always consult local and national electric codes. Refer to Product Installation Guide for detailed installation instructions on the web at frigidaire.ca.



Product Dimensions		Cutout Dimensions	
A - Height	16-13/32"	Height (Min. from floor to top of unit)	66"
B - Width	29-7/8"	Width (Min.)	30"
C - Depth	15-1/32"	Depth (Min.)	12"
		Depth (Max.)	13"

Accessories information available on the web at frigidaire.ca