

Microwave Combination Oven

professional series

E30MC75PPS



Signature Features



Wave-Touch® Controls

Sleek control panel illuminates with just a touch — giving you more control over your cooking — and fades away to an uncluttered display after an option is selected.



Smooth-Glide® Oven Racks

Ball bearing oven racks glide with unparalleled ease and extend fully for effortless access.



CustomConvect³™ Convection Technology

Distributes heat evenly throughout the oven by adding a third cooking element plus a variable speed fan.



Custom-Set™ Options with Temperature Probe

Seven cooking modes with eight cooking functions give you more cooking flexibility and control — and the temperature probe monitors the progress of your meat dishes.

PRODUCT DIMENSIONS

Height	45-3/4"
Width	30"
Depth	24-5/8"

MORE EASY-TO-USE FEATURES

Cool-Touch™ Oven Door

Beautiful all-glass door allows you to see what's inside and is cool to the touch and easy to clean.

Theatre Lighting

Features luxury ramp-up halogen lighting for a beautiful, visible interior.

“My Favourite” Settings

A setting you can customize to meet your needs, so the option you want is available at the touch of a button.

Perfect Turkey® Button

Ensures moist, delicious poultry. Imagine stress-free holiday cooking.

Automatic Cooking Options

The microwave oven features 12 Auto Cook options, 3 Auto Reheat options and 6 Auto Defrost options for your cooking flexibility.

Cook-2-Perfection® Technology

Evenly distributes microwave cooking energy throughout the oven's interior for even cooking. A 13" x 9" pan — with handles — can be evenly heated.

Auto Sensor Cooking

12 Sensor Cook options automatically adjust the cooking time and power level needed to cook your food — so your food will turn out just the way you want it.

Sabbath Mode (Star-K® Certified)

30" MICROWAVE COMBINATION OVEN

MICROWAVE FEATURES

Oven Cavity	1.5 Cu. Ft.
Watts	900
Stainless Steel Interior	Yes
Interior Krypton Light	Yes
Ceramic 16" Turntable	Yes

MICROWAVE CONTROL OPTIONS

Wave-Touch® Electronic Controls	Yes
Cook-2-Perfection® Technology	Yes
Electronic Clock & Timer	Yes
Humidity Sensor	Yes
Power Levels	11
Touch Pad Controls	37
Auto Start	Yes
Auto Defrost Options	6
Automatic Cooking Options –	
Pizza (1), Snacks (6), Soften/Melt (4), Beverage (1)	12
Convection Cook Categories –	
Auto Broil (4), Auto Roast (4), Auto Bake (4)	12
Auto Reheat Categories –	
Breads/Muffins (2), Pasta (1)	3
Auto Sensor Cooking –	
Cook (5), Reheat (1), Popcorn (2), Baked Potato (1), Frozen Vegetables (1), Fresh Vegetables (2)	12
Stage Cooking Options	4
Add 30 Seconds	Yes
Electronic Lockout	Yes
Adjustable Sound Level for Timers/Reminders	Yes
More/Less Function	Yes
Power Failure Indicator	Yes

OVEN FEATURES

Oven Cavity	4.8 Cu. Ft.
Cobalt Blue Interior	Yes
Smooth-Glide® Racks/Standard Racks	2/1
CustomConvec3™ Convection System	Yes
Halogen Theatre Lighting	Yes
Removable Cool-Touch™ Oven Door with Extra-Large Window	Yes
"My Favourite" Settings	Yes
Convection Conversion	Yes
Custom-Set™ Options with Temperature Probe	Yes
Light Clean/Heavy Clean	Yes
Self-Cleaning with Auto-Safety Latch™	Yes
Self-Cleaning Cycle with Rack Removal Alert	
Fresh Clean	Yes
Perfect Turkey®	Yes
Dual Radiant™ Baking System	Yes
Eight-Pass Broil & Radiant Bake Element	Yes
Sabbath Mode (Star-K® Certified)	Yes

OVEN CONTROLS

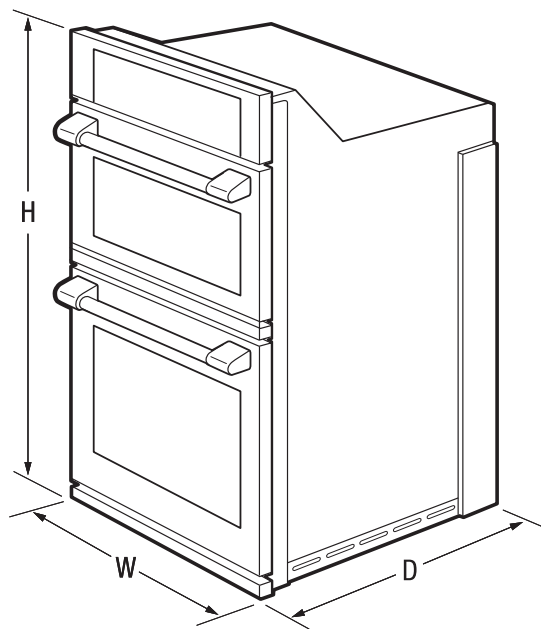
Wave-Touch™ Electronic Controls	Yes
Electronic Clock/Timer/Temperature Display	Yes
Automatic Oven – Delay, Cook & Off	Yes
Electronic Lockout	Yes
Automatic Oven Shutoff – 12 Hour	Yes
Integrated Halogen Oven Light – Touch Pad	Yes

SPECIFICATIONS

Power Supply Connection Location	Left Bottom Rear
Connected Load (kW Rating) @ 240/208 Volts	8.5/6.4
Amps @ 240/208 Volts	36/31
Minimum Circuit Required (Amps)	40
Shipping Weight (Approx.)	334

NOTE: Always consult local and national electric codes. Refer to Product Installation Guide for detailed installation instructions on the web at electroluxicon.ca.

Specifications subject to change.



PRODUCT DIMENSIONS

Height	45-3/4"
Width	30"
Depth	24-5/8"

MICROWAVE OVEN CAVITY DIMENSIONS

Height	9-5/8"
Width	16-1/8"
Depth	16-1/8"

OVEN CAVITY DIMENSIONS

Height	17-1/2"
Width	24-1/8"
Depth	19-1/2"

CUTOUT DIMENSIONS

Height	43-7/8" – 44"
Width	28-1/2" – 29"
Depth (Min.)	24"

