



# Built-In All Refrigerator

## E32AR85PQS



### PRODUCT DIMENSIONS

Height	71-3/8"
Width	32"
Depth	26-1/2"

### MORE EASY-TO-USE FEATURES

#### PureAdvantage® Air Filter

Keeps clean, filtered air circulated throughout to prevent odour transfer.

#### Custom-Design™ Glass Shelves

Extra-wide glass shelves provide enough space for large platters and are designed to keep spills contained, making them easy to clean.

#### Perfect Bins™ Door Storage

Convenient door storage bins tilt-out for easy access and can even be removed for even easier access.

#### Smooth-Glide® Storage Drawer

Drawer glides out smoothly and fully extends giving you easy access to what's inside.

#### Alarm System

Notifies you if there's been a power failure, if a door stays open longer than five minutes and if the interior temperature of the refrigerator rises above 56 degrees for more than 60 minutes.

#### Luxury-Quiet™ Design

Designed for consistently quiet operation.

#### Louvered Trim Kits

For an integrated look.

Available In:



Stainless  
(S)

### Optional Trim Kits

#### 84" Louvered Trim Kits

(ECP8436SS & ECP8472SS)

Designed as a replacement option for the Sub-Zero® brand 650 Series models and for new-build installation.

#### 79" Louvered / 75" Collar Trim Kits<sup>1</sup>

(TRIMKITSS1 & TRIMKITSS2)

Designed as a replacement option for the Sub-Zero® brand models E32AR75FPS and E32AF75FPS and for new-build installation.

#### 72" Collar Trim Kits

(ECP7236SS & ECP7272SS)

Designed as a replacement option for the Sub-Zero® brand 601 Series models and for new-build installation.

### Signature Features



#### Custom-Fit™ Capacity

More space inside to store whatever you need, including large platters.



#### Custom-Design™ Organization System

The ultimate organization system features Smooth-Glide® drawers with removable/adjustable dividers and two mini baskets and Perfect Door Storage Bins.



#### Smooth-Glide® Crisper Drawers

Crisper Drawers smoothly glide out and keep even the most delicate fruits and vegetables fresh with adjustable humidity control and minimal temperature variation.



#### Theatre Lighting

Transition LED lighting gradually illuminates the interior with soft but ample light as you open the door.

<sup>1</sup>Kits are designed to fit either 79" or 75" opening height. For 79" cutout opening height, installation requires use of top louvered grille; for 75" cutout opening height, installation requires use of top trim piece and shortening of both side trim pieces. Sub-Zero® is a registered trademark of Sub-Zero, Inc.

## BUILT-IN ALL REFRIGERATOR

### CAPACITIES

Volume	18.6 Cu. Ft.
Shelf Area	22.4 Sq. Ft.

### EXTERIOR

Professional Door and Handle Design	Yes
Hidden Door Hinge Covers	Yes

### INTERIOR CONVENIENCES

PureAdvantage® Air Filter	Yes
Air Filter Indicator	Yes
Electronic Control Lock	Yes
Custom-Design™ Glass Shelves	2 Adjustable
Smooth-Glide® Full-Extension Deli Drawer/Cool Zone™	1
Smooth-Glide® Full-Extension Crispers/Fresh Zone™	1
3-Position Adjustable Crisper Dividers	2
Removable Crisper Trays	2
Full-Width 1-Gallon Storage with Tall Bottle Retainer	1
Clear 2-Litre Adjustable Door Bins	3
Perfect Bins™ Door Storage	2
Dairy Door	Clear
Theatre LED Lighting	Yes
Custom-Set™ Digital Temperature Control System	Yes
Temp Alarm System/Door Ajar Alarm/Power Failure Alarm	Yes
Door Closer	Yes
Luxury-Quiet™ Design	Yes

### ADDITIONAL FEATURES

Sabbath Mode (Star-K® Certified)	Yes
----------------------------------	-----

### ACCESSORIES

84" Louvered Trim Kits:	Single – PN# ECP8436SS	Optional
	Double – PN# ECP8472SS	Optional
72" Collar Trim Kits:	Single – PN# ECP7236SS	Optional
	Double – PN# ECP7272SS	Optional
79" Louvered/75" Collar Trim Kits <sup>1</sup> :	Single – PN# TRIMKITSS1	Optional
	Double – PN# TRIMKITSS2	Optional

### SPECIFICATIONS

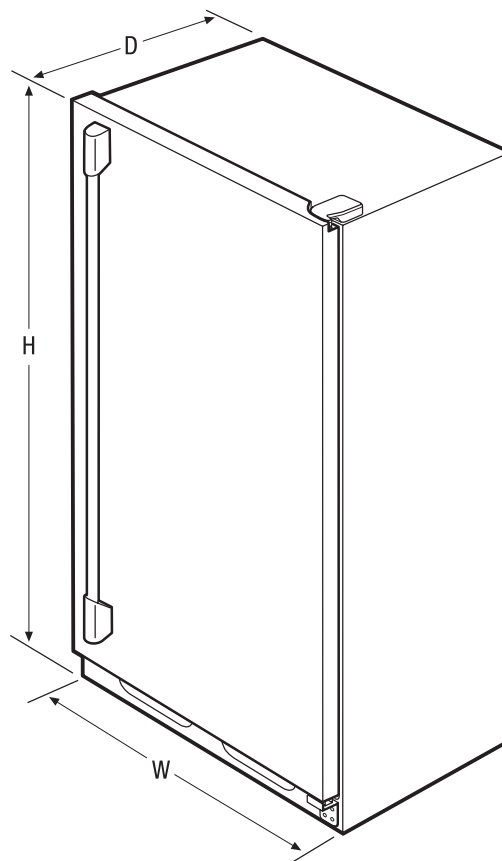
Power Supply Connection Location	Right Bottom Rear
Voltage Rating	115V/60 Hz
Connected Load (kW Rating) @ 115 Volts <sup>2</sup>	0.55
Minimum Circuit Required (Amps)	20
Shipping Weight (Approx.)	250 Lbs.

<sup>1</sup>Kits are designed to fit either 79" or 75" opening height. For 79" cutout opening height, installation requires use of top louvered grille; for 75" cutout opening height, installation requires use of top trim piece and shortening of both side trim pieces.

<sup>2</sup>An electrical supply with grounded three-prong receptacle is required. The power supply circuit must be installed in accordance with national and local codes & ordinances.

NOTE: Always consult local and national electric and plumbing codes. Refer to Product Installation Guide for detailed installation instructions on the web at [electroluxicon.ca](http://electroluxicon.ca).

Specifications subject to change.



### PRODUCT DIMENSIONS

Height (Cabinet)	70-5/8"
(Including Door)	71-3/8"
Width	32"
Depth (Including Door)	26-1/2"
(With 90° Door Open)	57-1/4"

