

# SINGLE WALL OVEN

EW27EW55PS

Featuring Wave-Touch® Electronic Controls



## PRODUCT DIMENSIONS

|                                   |         |
|-----------------------------------|---------|
| Height (Including 1" Bottom Trim) | 29"     |
| Width                             | 27"     |
| Depth                             | 24-3/4" |

## MORE EASY-TO-USE FEATURES

### FRESH CLEAN™ TECHNOLOGY

Exclusive Fresh Clean™ self-cleaning technology virtually eliminates odors and smoke to keep the room smelling fresh.

### SELF-CLEANING PORCELAIN RACKS

Bake, roast, broil, savor — the cleaning's on us. Our porcelain racks are safe to stay inside of the oven during the self-clean cycle, eliminating the mess and inconvenience of removing and cleaning racks by hand.

### LARGE CAPACITY

Coordinate an entire meal — our ovens feature 3.9 cu. ft. of cooking space with three adjustable baking racks.

### FLAT OVEN DOOR DESIGN

Our unique flat oven door is sleekly designed with fewer bumps and ridges — so it not only looks great but is easier to clean.

### LUXURY-GLIDE® OVEN RACK

With a ball bearing system, the oven rack is so smooth they extend effortlessly.

### PERFECT FIT PROMISE

Find the perfect Electrolux wall oven for your space using a convenient online tool.

### FAST PREHEAT

Savor sooner, with Fast Preheat.

### PRECISE BAKING OPTIONS

Includes Perfect Turkey®, Defrost, Dehydrate, Bread Proof, My Favourites, Multi-Stage Cooking, Temperature Probe, Fast Preheat, Delay Bake and Convection Convert.

### PLATINUM STAR® LIMITED WARRANTY

Our exclusive limited warranty that includes a 3-year coverage on parts and one year on labor without charge.<sup>1</sup>

## SIGNATURE FEATURES



### PERFECT TASTE™ DUAL CONVECTION

For consistently delicious taste and texture, home chefs rely on our dual-fan convection heat, which circulates air evenly with two variable speeds that work in tandem with three heating elements.



### PERFECT TASTE™ TEMP PROBE

The Perfect Taste™ Temp Probe does more than measure temperature — it keeps an active eye on your dishes by alerting you when food is at the peak of perfection and automatically adjusting to the Keep Warm setting.



### MULTI-STAGE COOKING

Create great taste with ease. With Multi-Stage Cooking, an Electrolux oven is a built-in sous chef, helping you conquer delicious by adjusting between seven professionally inspired cooking modes, including Bake, Broil, Convection Bake, Convection Roast, Convection Broil, Keep Warm and Slow Cook.



### PERFECT TURKEY®

New and improved Perfect Turkey® button works to precisely time and coordinate three convection modes — bake, broil, and roast — for turkey that is crispy on the outside and juicy on the inside. It even counts down the time remaining, so all dishes can be set to come out at the same time.

Available in:



Stainless  
(S)

<sup>1</sup>Eligibility based on product registration with Electrolux North America within 60 days of purchase. Products must have been purchased on or after July 1, 2013. Coverage includes material parts for 3 years and labour for 1 year.

# SINGLE WALL OVEN

EW27EW55PS



## 27" ELECTRIC SINGLE WALL OVEN

|               |        |
|---------------|--------|
| Configuration | Single |
|---------------|--------|

### CONTROL PANEL FEATURES

|                                                     |     |
|-----------------------------------------------------|-----|
| Wave-Touch® Electronic Oven Controls                | Yes |
| Keypad Entry of Time & Temperature                  | Yes |
| Electronic Clock & Timer                            | Yes |
| Temperature Display                                 | Yes |
| Automatic Oven (Delay, Cook & Off)                  | Yes |
| Lockout                                             | Yes |
| Automatic Oven Shutoff – 12 Hour                    | Yes |
| Programmable for °F or °C                           | Yes |
| Luxury-Design® Halogen Oven Lights/Touch Pad On/Off | Yes |

### OVEN FEATURES

|                                                                                                                                                                                 |             |
|---------------------------------------------------------------------------------------------------------------------------------------------------------------------------------|-------------|
| Oven Cavity                                                                                                                                                                     | 3.9 Cu. Ft. |
| Hidden Bake Element                                                                                                                                                             | Yes         |
| Electric Bake Element – 1450 Watts                                                                                                                                              | Yes         |
| Six-Pass Broil Element – 3400 Watts                                                                                                                                             | Yes         |
| Convection Element – 2500 Watts                                                                                                                                                 | Yes         |
| Cobalt Blue Interior                                                                                                                                                            | Yes         |
| Self-Clean Options with Door Lock                                                                                                                                               | 3           |
| Fresh Clean™                                                                                                                                                                    | Yes         |
| Perfect Taste™ Dual Convection with Variable 2-Speed Fans                                                                                                                       | Yes         |
| Cooking Modes –<br>Bake, Broil, Convection Bake, Convection Roast,<br>Convection Broil, Keep Warm, Slow Cook                                                                    | 7           |
| Baking Options –<br>Perfect Turkey®, Defrost, Dehydrate, Bread Proof,<br>My Favourites, Multi-Stage Cooking, Temperature Probe,<br>Fast Preheat, Delay Bake, Convection Convert | 10          |
| Luxury-Design® Lighting with Dual 40W and Dual 25W Halogen Bulbs                                                                                                                | Yes         |
| Luxury-Glide® Racks                                                                                                                                                             | 1           |
| Conventional Racks                                                                                                                                                              | 2           |
| Convection Roasting Rack                                                                                                                                                        | Yes         |

### ADDITIONAL FEATURES

|                                  |     |
|----------------------------------|-----|
| Signature Soft-Arc Handle Design | Yes |
| Flat Oven Door Design            | Yes |
| Extra-Large Glass Window         | Yes |
| Sabbath Mode (Star-K® Certified) | Yes |

### ACCESSORIES

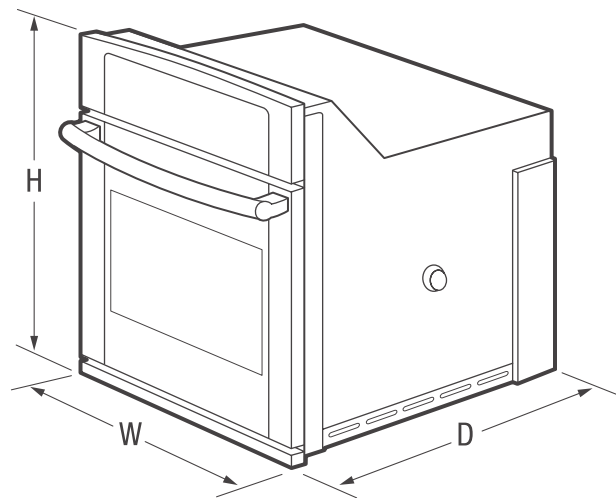
|                                                 |          |
|-------------------------------------------------|----------|
| Porcelain Broiler Pan and Insert                | Included |
| 3"-High Bottom Trim: S – PN# 903114-9020        | Optional |
| 10'-Long Armoured Power Cable – PN# 903056-9010 | Optional |

### SPECIFICATIONS

|                                            |                  |
|--------------------------------------------|------------------|
| Colour –<br>Stainless Steel                | S                |
| Power Supply Connection Location           | Left Bottom Rear |
| Connected Load (kW Rating) @ 240/208 Volts | 4.0/3.1          |
| Amps @ 240/208 Volts                       | 16.7/14.9        |
| Minimum Circuit Required (Amps)            | 20               |
| 3-1/2'-Long Armoured Electrical Cable      | Included         |
| Approved for Under-Counter Installation*   | Yes              |
| Shipping Weight (Approx.)                  | 150 Lbs.         |

\*Single Wall Oven is approved to be used beneath Electrolux gas cooktop models EW30GC60L, EW30GC55G, EW36GC55G, EW30GC55P and EW30GC60P, and electric cooktop models E30EC45K, E36EC45K, EW30IC60L, EW36IC60L, EW30CC55G and EW36CC55G.

NOTE: Always consult local and national electric codes. Refer to Product Installation Guide for detailed installation instructions on the web at [electroluxappliances.ca](http://electroluxappliances.ca).  
Specifications subject to change.



### PRODUCT DIMENSIONS

|                                                      |                    |
|------------------------------------------------------|--------------------|
| Height (Including 1" Bottom Trim)                    | 29"                |
| Width                                                | 27"                |
| Depth (to Front Door Corner)<br>(with 90° Door Open) | 24-3/4"<br>45-3/4" |

### OVEN CAVITY DIMENSIONS

|        |         |
|--------|---------|
| Height | 17"     |
| Width  | 20-1/2" |
| Depth  | 19-1/2" |

## Electrolux Major Appliances, N.A.

CANADA • 5855 Terry Fox Way • Mississauga, ON L5V 3E4 • 1-800-265-8352 • [electroluxappliances.ca](http://electroluxappliances.ca)

EW27EW55P 07/15

© 2015 Electrolux Major Appliances, NA

Printed in Canada



High standards of quality at Electrolux Home Products, Inc. mean we are constantly working to improve our products. We reserve the right to change specifications or discontinue models without notice.