

# DUAL-FUEL BUILT-IN RANGE

EW30DS8CRS

Featuring Wave-Touch® Electronic Controls



## PRODUCT DIMENSIONS

Height	36-5/8"
Width	30"
Depth	28-5/16"

## MORE EASY-TO-USE FEATURES

### MULTI-STAGE COOKING

Create great taste with ease. With Multi-Stage Cooking, an Electrolux oven is a built-in sous chef, helping you conquer delicious by adjusting between seven professionally inspired cooking modes, including Bake, Broil, Convection Bake, Convection Roast, Convection Broil, Keep Warm and Slow Cook.

### PERFECT TURKEY® BUTTON

Ensures moist, delicious poultry. Imagine stress-free holiday cooking as the Perfect Taste™ Temp Probe helps you deliver a perfectly cooked Turkey.

### SELF-CLEAN PORCELAIN RACKS

Bake, roast, broil, savor — the cleaning's on us. Our porcelain racks are safe to stay inside of the oven during the self-clean cycle, eliminating the mess and inconvenience of removing and cleaning racks by hand.

### PERFECT PAIR OVENS®

A versatile main oven and a second complementary oven combine for total cooking capability. Use both simultaneously to cook two different items at two different temperatures.

### CONTINUOUS GAS GRATES

Designed for cooking multiple dishes at a time, these grates allow easy movement of even the heaviest pots and pans from burner to burner — without lifting. Plus, they create a streamlined look.

### PLATINUM STAR® LIMITED WARRANTY

Our exclusive limited warranty that includes 3-year coverage on parts and one year on labour.<sup>1</sup>

Available in:



Stainless  
(S)

## SIGNATURE FEATURES



### PERFECT TASTE™ DUAL CONVECTION

For consistently delicious taste and texture, our dual-fan convection circulates air more evenly throughout the oven for an even cook. Two variable speeds work in tandem with three heating elements (bake, broil, and convection) to give you delicious results every time.



### MIN-2-MAX® GAS BURNER

Designed with a dual-flame sealed burner, this cooktop provides exceptional power and precision for the widest range of flavor possibilities.



### DUAL-FUEL PERFORMANCE

Increases flavor potential with the features of a gas cooktop and an electric oven in one stunning product.



### PERFECT TASTE™ TEMP PROBE

The Perfect Taste™ Temp Probe lets you cook each dish to perfection. It does more than measure temperature — it alerts you when food has reached the desired temperature and automatically adjusts to the Keep Warm setting so you never overcook your food and deliver perfect results every time.

BURNER	BTU
Min-2-Max® Dual-Flame Burner	750-18,000
Sealed Power Burner	16,000
Sealed Precision Burner	9,500
Sealed Precision Burner	5,000
Centre Burner	9,500

<sup>1</sup>Eligibility based on product registration with Electrolux North America within 60 days of purchase. Products must have been purchased on or after July 1, 2013. Coverage includes material parts for 3 years and labour for 1 year.

# DUAL-FUEL BUILT-IN RANGE

EW30DS8CRS



## 30" DUAL-FUEL BUILT-IN RANGE

### CONTROL PANEL FEATURES

Wave-Touch® Electronic Oven Control	Yes
Professional-Grade Burner Controls	Yes
Keypad Entry of Time & Temperature	Yes
Electronic Clock & Timer	Yes
Temperature Display	Yes
Automatic Oven (Delay, Cook & Off)	Yes

### COOKTOP FEATURES

Min-2-Max® Dual-Flame Burner – 750-18,000 BTU	1
Sealed Power Burner – 16,000 BTU	1
Sealed Precision Burner – 9,500 BTU	1
Sealed Precision Burner – 5,000 BTU	1
Centre Burner – 9,500 BTU	1
Linear Flow Burner Valves	Yes
Seamless Cooktop	Yes
Continuous Grates with Deep-Well Top	3
Electronic Pilotless Ignition	Yes

### OVEN FEATURES

Capacity	4.6 Cu. Ft.
Hidden Bake Element	Yes
Eight-Pass Bake Element – 2,500 Watts	Yes
Six-Pass Broil Element – 3,400 Watts	Yes
Convection Element – 2,500 Watts	Yes
Cobalt Blue Interior	Yes
Self-Clean Options with Door Lock	Yes
Perfect Convection® with Variable 2-Speed Fan	Yes
Cooking Modes – Bake, Broil, Convection Bake, Convection Roast, Convection Broil, Keep Warm, Slow Cook	7
Baking Options – Perfect Turkey®, Defrost, Dehydrate, Bread Proof, My Favourites, Multi-Stage Cooking, Temperature Probe, Rapid Preheat, Delay Bake, Convection Convert	10
Luxury-Design® Lighting with Dual 25W Halogen Bulbs	Yes
Luxury-Glide® Racks	1
Conventional Racks	2
Convection Roasting Rack	Yes

### ADDITIONAL FEATURES

Extra-Large Glass Window	Yes
Perfect Pair Lower Oven®	Yes
Adjustable Leveling Legs	4
Sabbath Mode (Star-K® Certified)	Yes

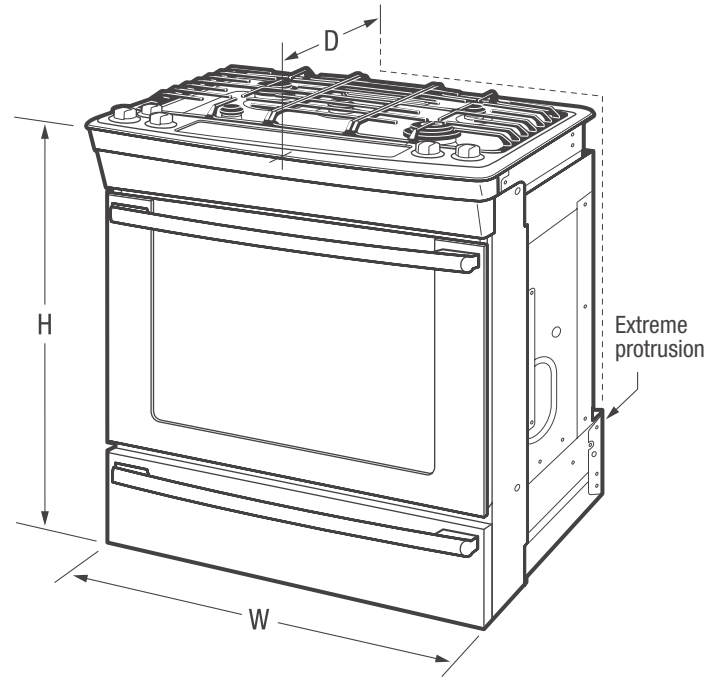
### ACCESSORIES

Porcelain Broiler Pan and Insert	Included
LP Conversion Kit	Included
2" Rear Filler Kit – PN# 903113-9010	Optional
Side Panel Kit – PN# A01529901	Optional

### SPECIFICATIONS

Colour – Stainless Steel	S
Power Supply Connection Location	Right Bottom Rear
Connected Load (kW Rating) @ 240/208 Volts	5.5/4.1
Amps @ 240 / 208 Volts	22.9/19.7
Minimum Circuit Required (Amps)	30A
Shipping Weight (Approx.)	278 Lbs.

NOTE: Always consult local and national electric and gas codes. Refer to Product Installation Guide for detailed installation instructions on the web at [electroluxappliances.ca](http://electroluxappliances.ca).  
Specifications subject to change.



### PRODUCT DIMENSIONS

Height (Adjustable)	36-5/8"
Width	30"
Depth (to Centre of Arc) (with 90° Door Open)	28-5/16" 47-9/16"

### OVEN CAVITY DIMENSIONS

Height	17-1/2"
Width	24-1/8"
Depth	18-3/4"

## Electrolux Major Appliances, N.A.

CANADA • 5855 Terry Fox Way • Mississauga, ON L5V 3E4 • 1-800-265-8352 • [electroluxappliances.ca](http://electroluxappliances.ca)

EW30DS8CR 04/16

© 2016 Electrolux Major Appliances, NA

Printed in Canada



High standards of quality at Electrolux Home Products, Inc. mean we are constantly working to improve our products. We reserve the right to change specifications or discontinue models without notice.