

# WARMER DRAWER

EW30WD55QS

Featuring Wave-Touch® Electronic Controls



## PRODUCT DIMENSIONS

Height	11-1/4"
Width	30"
Depth (to Front Drawer Corner) (Fully Extended Including Handle)	23-3/8" 45"

## MORE EASY-TO-USE FEATURES

### VERSATILE HALF-WIDTH RACK

Allows for more usable capacity.

### COMPLEMENTARY DESIGN

Coordinates perfectly with the Electrolux 30" and 27" wall ovens.

### PLATINUM STAR® LIMITED WARRANTY

Our exclusive limited warranty that includes a 3-year coverage on parts and one year on labor without charge.<sup>1</sup>

### STAINLESS STEEL INTERIOR

### FOUR-HOUR AUTO POWER-OFF

### BLUE LED ON/OFF INDICATOR LIGHT

### BREAD-PROOFING

Features an ideal temperature setting for dough to rise.

## SIGNATURE FEATURES



### PERFECT SET® ELECTRONIC CONTROLS

Keep your food at the ideal serving temperature with a warmer drawer that maintains a precise temperature between 80 and 120 degrees. Ideal for foods ranging from proofing bread to keeping your entrée at the perfect serving temperature.



### HUMIDITY CONTROLS

Keeps food from drying out before serving, while also maintaining the Keep Warm temperature.



### KEEP-WARM SETTING

Ensures food remains ready to serve without being overcooked.



### LUXURY-GLIDE® TECHNOLOGY

Our warmer drawer uses a ball bearing system that is so smooth it extends effortlessly.

Available in:



Stainless  
(S)

<sup>1</sup>Eligibility based on product registration with Electrolux North America within 60 days of purchase. Products must have been purchased on or after July 1, 2013. Coverage includes material parts for 3 years and labor for 1 year.

# WARMER DRAWER

EW30WD55QS



## 30" WARMER DRAWER

Capacity	1.6 Cu. Ft.
----------	-------------

### FEATURES

Perfect Set® Electronic Controls	Yes
Blue LED Display	Yes
Automatic Shutoff – 4 hour	Yes
Humidity Control	Yes
Heating Element (Watts)	450
Luxury-Glide® Full-Extension Drawer Glides	Yes
Element "ON" Blue Indicator Light	Yes
Stainless Steel Drawer Interior	Yes
Half-Width Rack	Yes

### ADDITIONAL FEATURES

Flat Drawer Front and Signature Soft-Arc Handle Design	Yes
--	-----

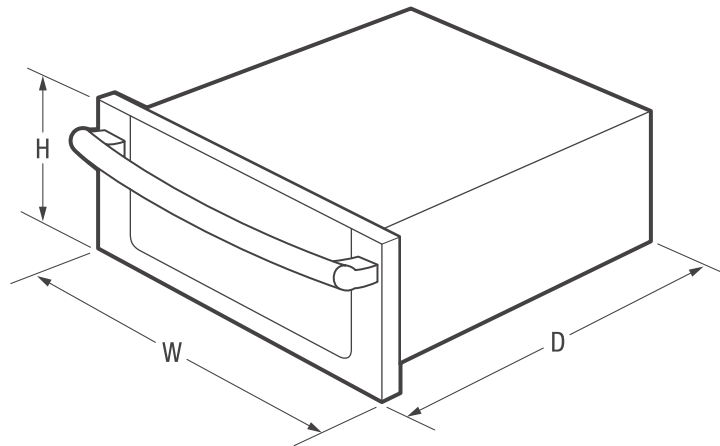
### SPECIFICATIONS

Colour –	
Stainless Steel	S
Temperature Range	80°F – 210°F
Power Supply Connection Location	Right Centre Rear
Voltage Rating	120V/60Hz/15A
Connected Load (kW Rating) @120 Volts <sup>1</sup>	0.45
Amps @ 120 Volts	3.75
Minimum Circuit Required (Amps)	15
60" Electrical Cable	Included
Approved for Under-Counter Installation	Yes
Shipping Weight (Approx.)	75 Lbs.

<sup>1</sup>For use on adequately wired 120V, dedicated circuit having 2-wire service with a separate ground wire. Appliance must be grounded for safe operation.

NOTE: Always consult local and national electric codes. Refer to Product Installation Guide for detailed installation instructions on the web at [electroluxappliances.ca](http://electroluxappliances.ca).

Specifications subject to change.



### PRODUCT DIMENSIONS

Height	11-1/4"
Width	30"
Depth (to Front Drawer Corner) (Fully Extended Including Handle)	23-3/8" 45"

### DRAWER INTERIOR DIMENSIONS

Height	6-1/2"
Width	20-15/16"
Depth	19-7/8"

Electrolux Major Appliances, N.A.

CANADA • 5855 Terry Fox Way • Mississauga, ON L5V 3E4 • 1-800-265-8352 • [electroluxappliances.ca](http://electroluxappliances.ca)

EW30WD55Q 07/14

© 2014 Electrolux Major Appliances, NA



High standards of quality at Electrolux Home Products, Inc. mean we are constantly working to improve our products. We reserve the right to change specifications or discontinue models without notice.