

FRIGIDAIRE

PROFESSIONAL®

FPMO3077TF

MICROWAVE

30" BUILT-IN WITH CONVECTION

Smudge-Proof™
Stainless Steel

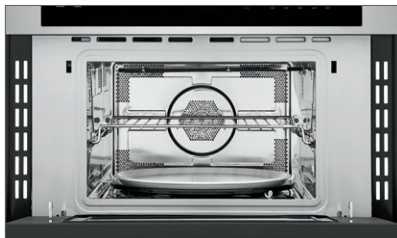


AVAILABLE COLORS



Stainless

SIGNATURE FEATURES



PowerPlus™ 2-in-1 Convection Oven or Microwave

Get the great-tasting results of a conventional convection oven combined with the speed of microwave technology with the PowerPlus™ 2-in-1 Convection Microwave Oven.



PowerSense™ Cooking Technology

Results you can trust. PowerSense™ Cooking Technology automatically senses ideal time and power levels.



Smudge-Proof™ Stainless Steel

Resists fingerprints and cleans easily.



PowerSense™ Auto Defrost

Take the guesswork out of defrosting meat, poultry, or fish with PowerSense™ Auto Defrost.

PRODUCT DIMENSIONS

Height	19"
Width	29-13/16"
Depth	23"

MORE EASY-TO-USE FEATURES

PowerSense™ Broil & Grill

Grill fresh or frozen pizza at the touch of a button.

PowerBright® LED Lighting

See the power. See the results in action. LED interior microwave light stays on while your dish cooks.

Keep Warm

Consistently keep your dishes warm, for up to 90 minutes, until everything and everyone is ready.

Drop-Down Door

Faster, easier access to what you are cooking with Drop-Down Door configuration.

Adjustable Timer

Now you can adjust the cooking time of your dish while it's cooking. The adjustable timer allows you to add 30 seconds on the timer.

FPMO3077TF MICROWAVE

30" BUILT-IN WITH CONVECTION

FRIGIDAIRE
PROFESSIONAL

FEATURES

Control/Timing System	Pro-Select®
Exterior Door Finish	Smudge-Proof™ Stainless Steel
Handle Design	Stainless Steel
Microwave Capacity (Cu. Ft.)	1.6
PowerPlus™ Convection	Yes
Watts (IEC-705 Test Procedure)	1,000
Interior LED Light	Yes
Interior Color	Stainless Steel
Turntable Diameter	14-3/16"
Turntable On/Off	
Control Lock	Yes
Clock	Yes
Touch Pad Buttons	28
Power Levels	High (1-9)
Accessory Metal Rack	Yes

MICROWAVE CONTROL OPTIONS

Popcorn Button	Yes
Sensor Cook Button	Yes
Sensor Reheat Button	Yes
Broil/Grill	Yes
Preheat/Warm	Yes
Snack Button	
Beverage	
Melt & Soften Options	4
Auto Reheat Options	
Snack Menu Options	
Auto Cook Options	
Auto Defrost Options	3
Multi-Stage Cooking Option	Yes
Keep Warm	Yes
Add 30 Seconds	Yes
Sensor Cooking Options	5
Sensor Reheat Options	5
Vegetable Cook Sensor	Yes
Delay Start	
User Preferences	Yes
Adjustable Timer	Yes

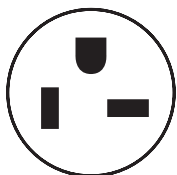
POWER RATINGS

Frequency (MHz)	2,450
Watts @ 120 Volts	1,750
Amps @ 120 Volts	15.5

SPECIFICATIONS

Oven Interior (HxWxD)	9-27/32" x 16-1/2" x 16-1/2"
Power Supply Connection Location	Right Top Rear
Voltage Rating	120V/60Hz/20A
Connected Load (kW Rating) @ 120 Volts ¹	1.75
Minimum Circuit Required (Amps)	20
Plug Type (NEMA)	LCDI (5-20P)
Shipping Weight (Approx.)	100 Lbs.

¹For use on adequately wired 120V, dedicated circuit having 2-wire service with a separate ground wire. Appliance must be grounded for safe operation.



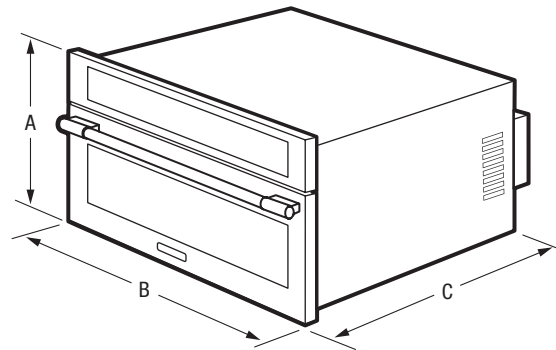
Plug Type (NEMA)
5-20P

PRODUCT DIMENSIONS

A - Height	19"
B - Width	29-13/16"
C - Depth	23"

CUTOUT DIMENSIONS

Height (Min. - Max.)	17-3/4"-18"
Width (Min. - Max.)	28"-28-3/8"
Depth (Min.)	22"



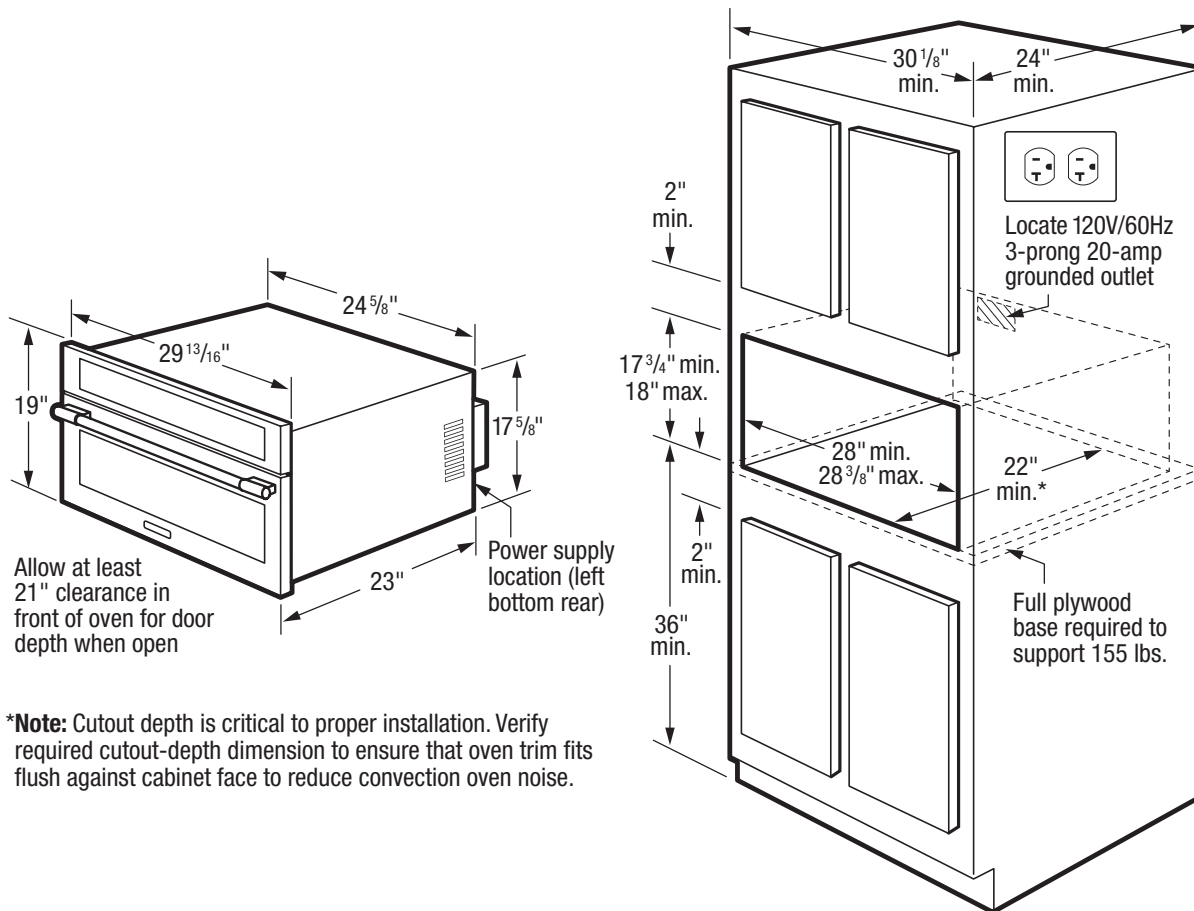
Note: For planning purposes only. Always consult local and national electric, gas and plumbing codes. Refer to Product Installation Guide for detailed installation instructions on the web at frigidaire.com.

Specifications subject to change. Accessories information available on the web at frigidaire.com

FRIGIDAIRE

USA • 10200 David Taylor Drive • Charlotte, NC 28262 • 1-800-FRIGIDAIRE • frigidaire.com
CANADA • 5855 Terry Fox Way • Mississauga, ON L5V 3E4 • 1-800-265-8352 • frigidaire.ca

FPMO3077T 10/17
© 2017 Electrolux Home Products, Inc.



***Note:** Cutout depth is critical to proper installation. Verify required cutout-depth dimension to ensure that oven trim fits flush against cabinet face to reduce convection oven noise.

INSTALLATION SPECIFICATIONS

- Product Shipping Weight (Approx.) - 100 Lbs.
- Voltage Rating - 120V /60 Hz/20 Amps
- Connected Load (kW Rating) @ 120 Volts = 1.75 kW (For use on adequately wired 120V, dedicated circuit having 2-wire service with a separate ground wire. Appliance must be grounded for safe operation.)
- Amps @ 120 Volts = 20 Amps
- Always consult local and national electric codes.
- Microwave can stand alone on countertop or be built in with optional 30" or 27" Trim Kit (ordered by individual part number) which includes Bottom Duct Assembly - shipped in separate box.
- Allow 21" minimum clearance for 90° door swing.
- Minimum 22" deep oven cutout dimension is critical for proper installation for oven and faceplate to fit flush against cabinet front.
- Consult local building code, in the event that cutout opening may be required to be enclosed with sides, ceiling and rear partition.
- Full oven base of solid plywood or similar material required, capable of supporting 155 Lbs.
- Base must be level and front of cabinet square for proper operation.
- Can NOT be installed above any gas wall oven.
- Built-In Microwave is approved to be used in combination with any Frigidaire® Electric Single Wall Oven and/or Warmer Drawer. (Refer to model-specific Combination Installation Specification pages on web.)
- When used in combination with another Frigidaire® built-in product, a minimum clearance of 2" is required from the bottom of the microwave cutout to the top edge of the companion product's faceplate. Please refer to companion product's installation instructions for cutout dimensions.



Note: For planning purposes only. Always consult local and national electric, gas and plumbing codes. Refer to Product Installation Guide for detailed installation instructions on the web at frigidaire.com.

Specifications subject to change. Accessories information available on the web at frigidaire.com