



Self-Cleaning Range Hoods

Insert Range Hoods



BX600



SS130



BX215



BX2000

Installation and Operation Instructions

Please read all instructions before installing and operating.

All wiring and installation must be in accordance with CEC, NEC and local electrical codes.

READ AND SAVE THESE INSTRUCTIONS



IMPORTANT SAFETY INSTRUCTIONS

WARNING

- This appliance must be installed by a qualified technician.
- The manufacturer declines all responsibilities in the event of failure to observe the instructions given here for installation, maintenance and suitable use of the product.
- The manufacturer further declines all responsibility for injury due to negligence, and the warranty of the unit automatically expires due to improper installation and maintenance.

CAUTION

- For indoor use only.
- For residential cooking use only. Do not use to exhaust hazardous or explosive materials or vapors.
- Two installers are recommended because of the size and weight of this hood.
- Do not use more than 20 watts per halogen lightbulb for this model.
- Light bulbs combined are not to exceed 40 watts. Use Type G4, 12V, 20W Maximum, halogen bulb for SS130.

WARNING

TO REDUCE THE RISK OF RANGE TOP GREASE FIRE:

1. Never leave the range unattended at high settings.
2. Always turn hood ON when cooking at high heat or when flaming food.
3. Use proper pan size. Always use cookware appropriate for the size of the surface element.
4. Keep fan, filters and grease laden surfaces clean. Clean ventilating fans frequently. Do not allow grease to accumulate on fan or filter.
5. Use HIGH setting on hood only when necessary.
6. Don't leave hood unattended when cooking.
7. To reduce the risk of fire, use only metal ductwork.
8. This unit must be grounded.
9. Not for outdoor use.

WARNING

TO REDUCE THE RISK OF FIRE, ELECTRIC SHOCK, OR INJURY TO PERSONS, OBSERVE THE FOLLOWING:

1. Use this unit only in the manner intended by the manufacturer.
2. Before servicing or cleaning the unit, switch power off at service panel and lock service panel to prevent power from being switched on accidentally. When the service disconnecting means cannot be locked, securely fasten a prominent warning device to the service panel.
3. Installation work and electrical wiring must be done by qualified persons in accordance with all applicable codes and standards, including fire-rated construction.
4. Sufficient air is needed for proper combustion and exhausting of gases through the flue of fuel burning equipment to prevent back drafting. Follow the heating equipment manufacturer's guideline and safety standards as published by the local code authorities.
5. When cutting or drilling into walls or ceilings, be careful not to damage existing electrical wiring and other hidden utilities.
6. To reduce the risk of fire, electric shock and to properly exhaust air, ducted fans must always be vented outdoors. Do not vent exhaust air into spaces within walls, ceilings, attics, crawl spaces, or garages. Do not connect this fan with any solid-state speed control device.
7. Always keep the duct clear to maintain proper airflow for venting.
8. The bottom of the hood **MUST NOT BE LESS** than 28" and at a suggested maximum of 36" above cooktop for best capture of cooking impurities. For a gas range, the bottom of the hood **MUST NOT BE LESS** than 30" above cooktop.

WARNING

- Do not repair or replace any part of this appliance unless specifically recommended in this book. All other service should be performed by a qualified technician.
- The hood motor has a thermal overload that will automatically shut off the motor if it becomes overheated. The motor will restart. If the motor continually shuts off and restarts, contact the Cyclone service department. Ensure that the hood is mounted at the recommended mounting height.
- This product may have sharp edges. Be careful to avoid cuts and abrasions during installation and cleaning.

CONTENTS

Important Safety Instructions.....	3
Damage Inspection.....	5
Ducting.....	5
Mounting Heights and Clearance.....	6
Wiring Installation.....	6
BX2000/BX2010 Insert Hood Installation.....	7
BX2000/BX2010 Installation - Tools and Materials Required.....	9
BX2000/BX2010 Installation - Parts supplied.....	9
SS130 Insert Hood Installation.....	10
SS130 Installation - Installation Cutout Templates.....	12
SS130 Installation - Tools and Materials Required.....	13
SS130 Installation - Parts supplied.....	13
BX215 Insert Hood Installation.....	14
BX215 Installation - Tools and Materials Required.....	15
BX215 Installation - Parts supplied.....	15
BX600 Insert Hood Installation.....	16
BX600 Installation - Tools and Materials Required.....	17
BX600 Installation - Parts supplied.....	17
INSERT Hoods Specifications.....	18
Troubleshooting.....	24
Maintenance.....	25
Control Panel.....	26
Cyclone Range Hoods Limited Warranty.....	27

DAMAGE INSPECTION

- Please fully inspect unit for damage before installation.
- If the unit is damaged in shipment, return the unit to the store in which it was bought for repair or replacement.
- If the unit is damaged by the customer, repair or replacement is the responsibility of the customer.
- If the unit is damaged by the installer (if other than the customer), repair or replacement must be made by arrangement between customer and installer.
- Once installed, all damages will be assumed the responsibility of the installer.

DUCTING

WARNING

- To reduce the risk of fire, use only metal ductwork.
- To reduce risk of fire and to properly exhaust air, be sure to duct air outside – do not vent exhaust air into spaces within walls, ceilings, attics, crawl spaces, or garages.

CAUTION

- Best to use rigid type metal ducts. Flexible ducts can restrict airflow by more than 50%.
- Reduce the number of transitions and turns as much as possible. If a reducer is used, install a long reducer instead of a pancake reducer. If turns and transitions are required, install them as far away from the opening as possible and as far apart between two as possible.

WARNING

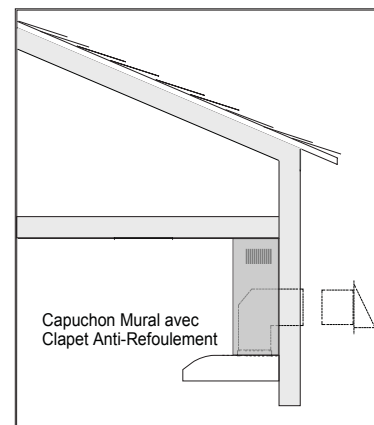
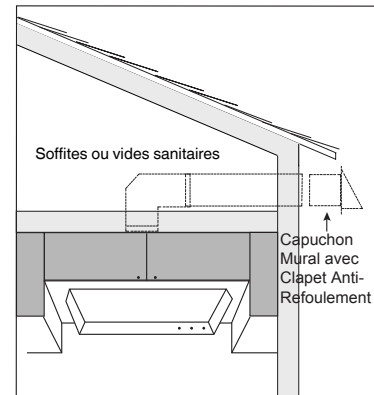
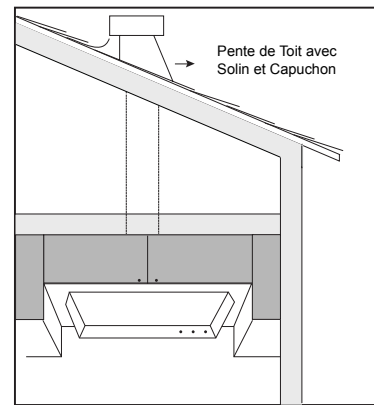
- 6” round ductwork must be used to maintain maximum air flow efficiency with motors of 300 CFM or greater. If the use of any size ducting is less than 6”, the warranty is automatically voided.
- The venting duct must go horizontally or vertically up to the outside wall or the roof. If it is turned downward anywhere in the venting system, the warranty is automatically voided.

Fasten all connections with sheet metal screws and tape all joints with certified silver tape or duct.

Do not cut a joist or stud unless absolutely necessary. If a joist or stud must be cut then a supporting frame must be constructed.

Before making cutouts make sure there is proper clearance within the ceiling or wall for the exhaust vent.

Examples of different types of ventilation for inserts:



Additional parts not provided.

MOUNTING HEIGHTS AND CLEARANCE

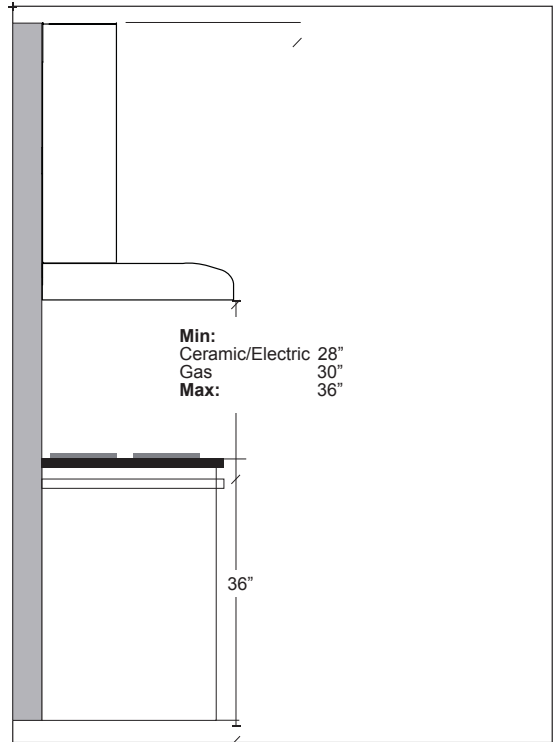
⚠ WARNING

- The hood should be installed at 28" minimum above the cooking surface. If pairing your range hood with a gas stove minimum mounting height must be 30" above the cooking surface.

Minimum mount height between range top to hood bottom should be no less than 28" for electric or ceramic stoves, and no less than 30" for gas stoves. The maximum mount height should be no more than 36". The hood must be installed at the correct mounting height. Hoods mounted too low could result in heat damage. Hoods mounted too high, on the other hand, will be less effective and performance may suffer.

Check your ceiling height and the hood height maximum before you select your hood.

Hood installation height above cook top is the user's preference. The lower the hood is above the cook top the more efficient it will be in drawing out cooking odors, grease and smoke.



WIRING INSTALLATION

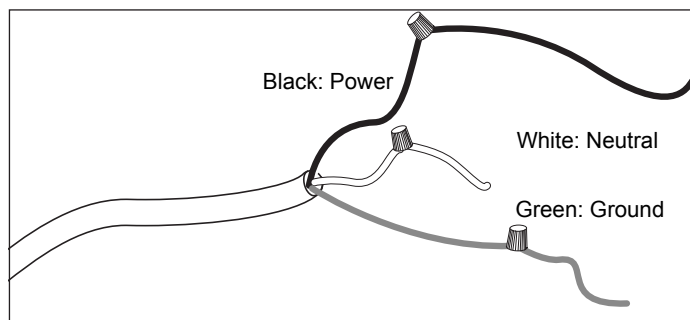
This appliance requires 120V 60Hz electrical supply and connection to an individual properly grounded branch circuit protected by a circuit breaker or time delay fuse.

Grounding Instructions

This appliance must be grounded.

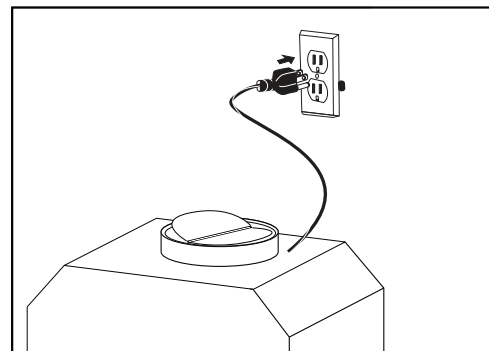
This appliance is equipped with a cord having a grounding wire or with a plug having grounding wire. The grounding wire must be grounded properly in the junction box or the plug must be plugged into an outlet that is properly installed and grounded.

1. Connect the power line ground wire to the green ground wire supplied with the hood.
2. Connect the black power wire to the black wire supplied with the hood.
3. Connect the white neutral wire to the white wire supplied with the hood.



Install the Electrical Power Supply

Install a junction box inside the upper corner of the cabinet. For the model SS13024, it should be installed at a minimum of 8" away from the center of the cabinet and 12" above the bottom of the cabinet. For the models SS13030, BX21528, BX600, it should be installed at a minimum of 11" away from the center of the cabinet, and 12" above the bottom of the cabinet. For the model BX21534, it should be installed at a minimum of 13" away from the center of the cabinet, and 12" above the bottom of the cabinet.

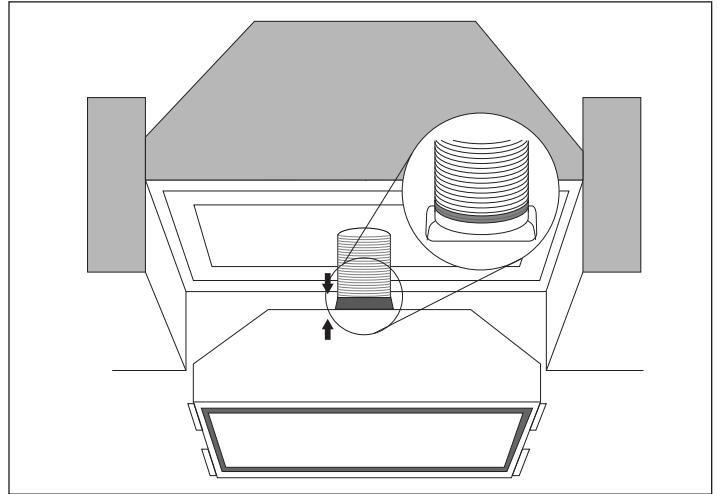


Preparation for Vent and Exhaust Duct Connection

1. To connect a rectangular vent to a round exhaust duct (or vice versa), use a connecting duct and adapter.
2. The round vent of a Cyclone Range Hood is 6" diameter. If the round exhaust duct is not 6" diameter, a connecting duct is necessary to accommodate the different size. If the exhaust duct is less than 6" diameter, the efficiency of your Cyclone Range Hood will be reduced and the warranty may be voided.
3. An exhaust duct needs to be cut if there is not an existing duct in your home. Please consult/hire a professional to complete the work properly. For top venting, a rectangular or a 6" round hole needs to be cut through the ceiling or the back wall and the bottom of the cabinet to fit the duct connection.

Ducting Connection

When there is no access to the top of the hood, carefully pull down the metal duct through the custom hood base hole. Slide this duct over the adapter/damper. Make sure the adapter/damper assembly enters the ducting. Seal the connection with aluminum tape.

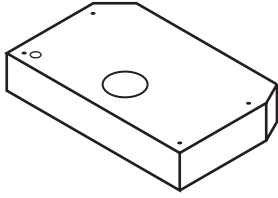


TOOLS AND MATERIALS REQUIRED

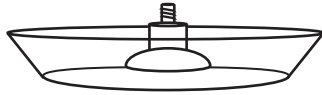
- Electrical drill or ratchet driver
- Phillips screwdriver #2 or driver bit
- Straight blade screwdriver
- Wire stripper or cutter
- Tape measure
- Electrical supplies for wiring (i.e. marrets, electrical tape)
- Aluminum foil tape and/or duct tape
- Hammer
- Jigsaw or saber saw
- Step ladder
- Pencil

BX2000/BX2010 INSTALLATION - PARTS SUPPLIED

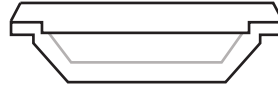
1 × Hood



2 × Round Oil Collectors



2 × Rectangular Oil Collectors



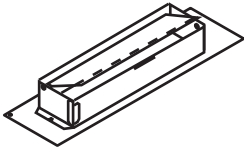
BX2000 ONLY:
2 × Halogen Lights
(120V, 20W)

BX2010 ONLY:
1 × Halogen Light



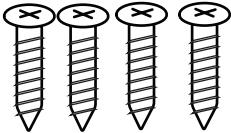
BX2010 ONLY:

1 × Rectangular Damper

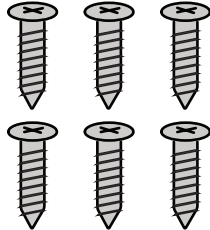


HARDWARE PACKAGE

4 × Mounting Screws



BX2010 ONLY:
6 × Damper Screws



BX2000/BX2010 INSERT HOOD INSTALLATION

This appliance requires 120V 60Hz electrical supply and connection to an individual properly grounded branch circuit protected by a circuit breaker or time delay fuse.

CAUTION

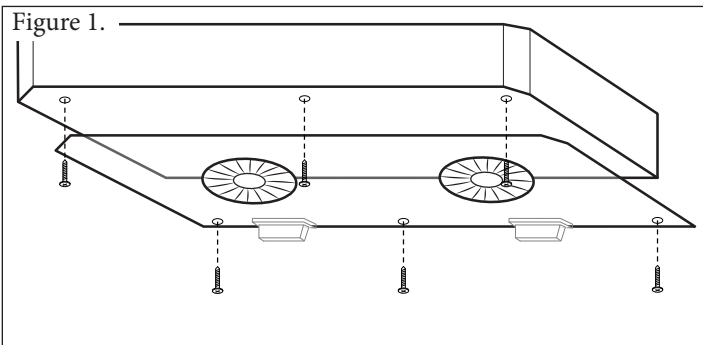
- At least two installers are required due to the weight and size of the hood.

WARNING

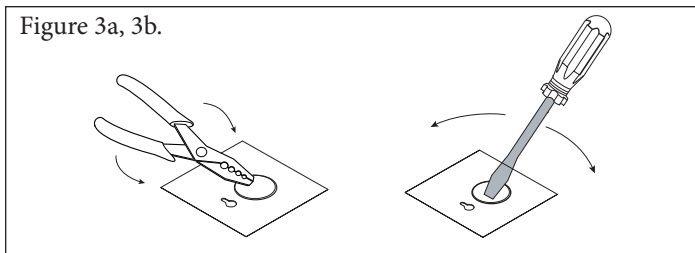
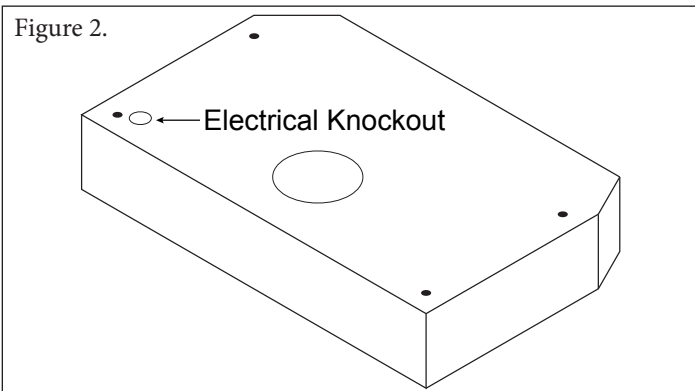
- Turn off power circuit at the service panel before wiring this unit.
- All electrical work must be done by a qualified electrician in accordance with all applicable codes and standards. This range hood must be properly grounded.

Preparation for Installation

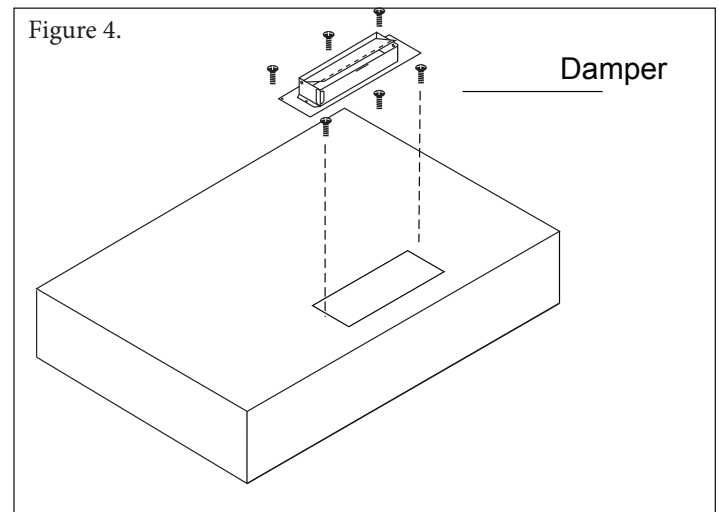
1. Unpack range hood and check contents. Note: Be cautious of sharp edges within the unit. Remove hood cover insert screws and lift off cover to expose the inside (Figure 1).



2. Remove the top electrical knockout (Figure 2). Insert a screwdriver into the knockout slot and bend the knockout back and forth (Figure 3a & 3b). Pliers may be used to remove the loosened knockout.



3. For the BX2000, no damper is required. For the BX2010, place the rectangular damper onto the top rectangular cutout and fasten with damper screws (Figure 4).



Install the BX2000/BX2010 Hood

1. Place the top of the range hood against the bottom of the cabinet. Route the power supply cord through the access hole and through the knockout. This step will have to be accomplished while positioning the hood (Figure 5 & 6).
2. Center the hood in place beneath the cabinet and align with the front of the cabinet. Outline the four keyhole mounting slots for the hood onto the bottom of the cabinet.
3. Partially screw in the four hood mounting wood screws through the narrow ends of the marked keyholes.
4. Align the hood's wider ends of the keyholes mounting slots over the four partially installed screws. Push the hood against the wall so that the screws are now secured in the narrow end of the keyhole and that the front of the hood is aligned with the cabinet front (Figure 6).

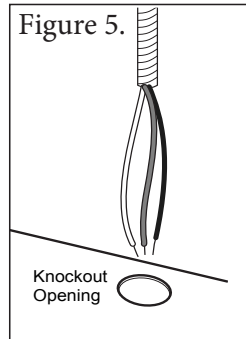
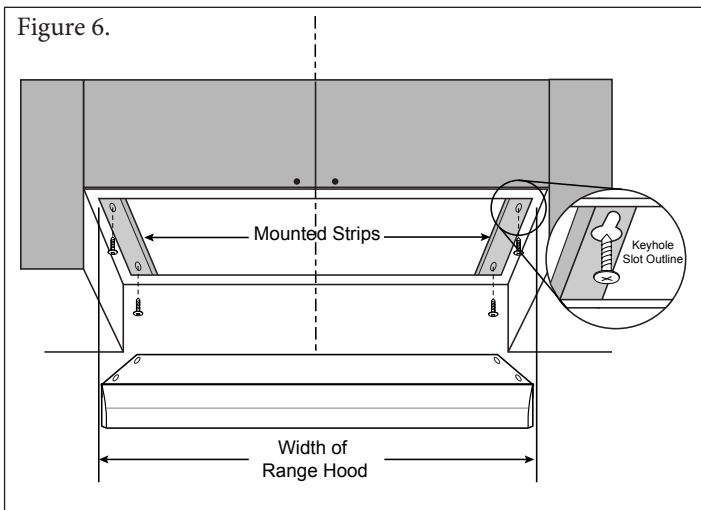
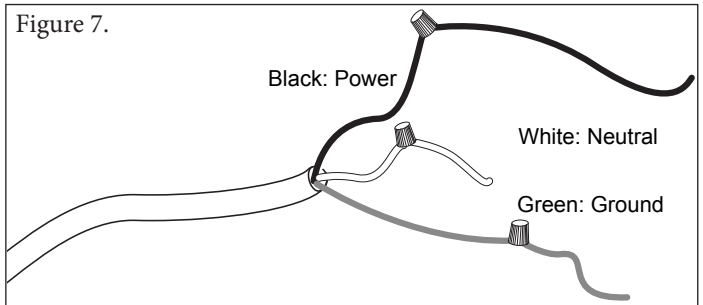


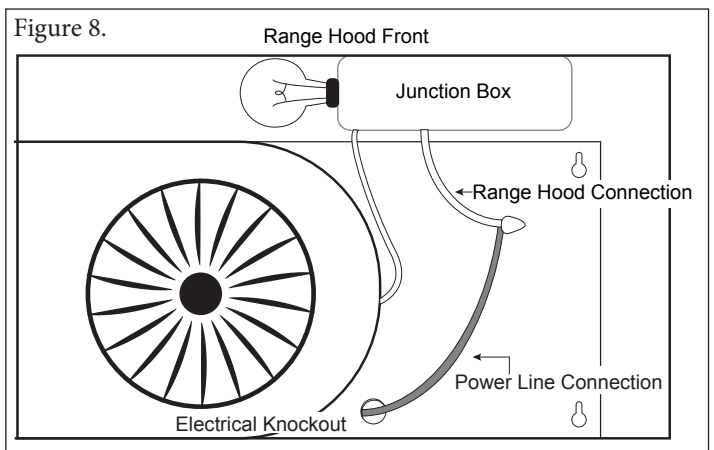
Figure 6.



5. Check to ensure the top vent is fitted and connected to the duct properly. Use aluminum foil tape to cover all seams.
6. Tighten the hood mounting screws all the way into the cabinet so the hood is firmly attached.
7. Make the Electrical Connection (Figure 7).
 - i. Secure the electrical wire to the hood with the connector's "STAR" locknut.
 - ii. Strip about 1/2" of insulation from the ends of the electrical power wires.
 - iii. Connect the power line ground wire to the green ground wire supplied with the hood (Figure 8).
 - iv. Connect the black power wire to the black wire supplied with the hood.
 - v. Connect the white neutral wire to the white wire supplied with the hood.

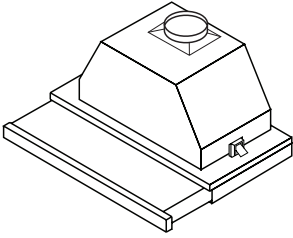


8. Reinstall the hood cover plate with the insert screws. Attach the rectangular and round oil collectors at the far back and under the mesh respectively.
9. Turn on the hood to check for any leaks in the ductwork and to ensure proper function.

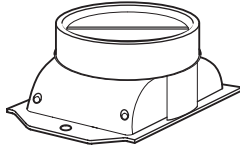


SS130 INSTALLATION - PARTS SUPPLIED

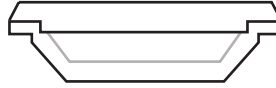
1 × Hood



1 × Round Adapter



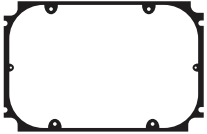
1 × Rectangular Oil Collector



PRE-INSTALLED
2 × G4 Type Lights
(12V, 20W)

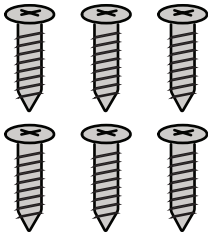


1 × Plastic Adapter Seal



HARDWARE PACKAGE

6 × Adapter Screws



SS130 INSERT HOOD INSTALLATION

This appliance requires 120V 60Hz electrical supply and connection to an individual properly grounded branch circuit protected by a circuit breaker or time delay fuse.

CAUTION

- At least two installers are required due to the weight and size of the hood.

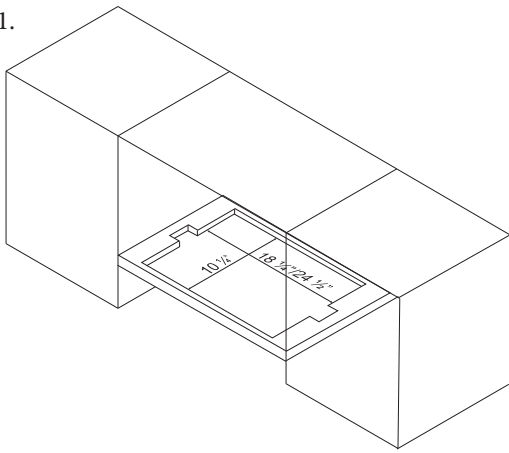
WARNING

- Turn off power circuit at the service panel before wiring this unit.
- All electrical work must be done by a qualified electrician in accordance with all applicable codes and standards. This range hood must be properly grounded.

Preparation for Installation

1. Unpack range hood and check contents. Note: Be cautious of sharp edges within the unit.
2. Cut the insert cutout at the bottom of the cabinet using the given cutout measurements on page 13 (Figure 1).
3. Locate the cutout at the center of the bottom of the cabinet. Ensure that the front panel of the range hood is flush with the surface of the cabinet doors.

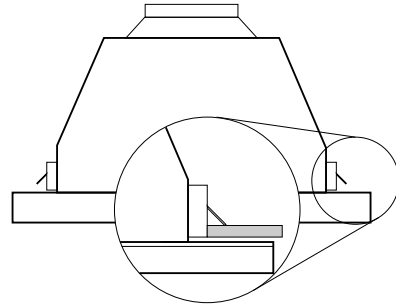
Figure 1.



Install the SS130 Range Hood

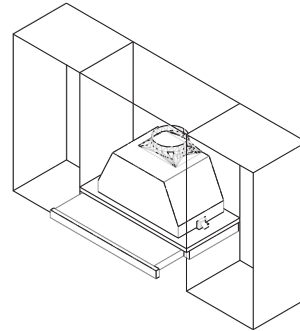
1. Remove outer mesh filters of range hood
2. Attach damper to rectangular cutout on top of the range hood using the screws provided.
3. Hold range hood upright, mesh filters facing down and insert range hood upward into cabinet cutout. The range hood mounts to the cabinetry by two spring loaded brackets, one on each side of the range hood (Figure 2).

Figure 2.



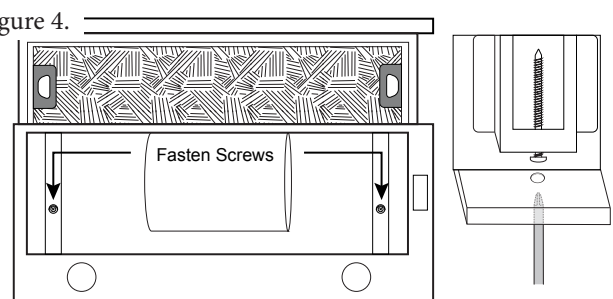
4. Once the range hood is through the cabinetry the brackets should release. The brackets loosely hold the range hood in place (Figure 3).

Figure 3.



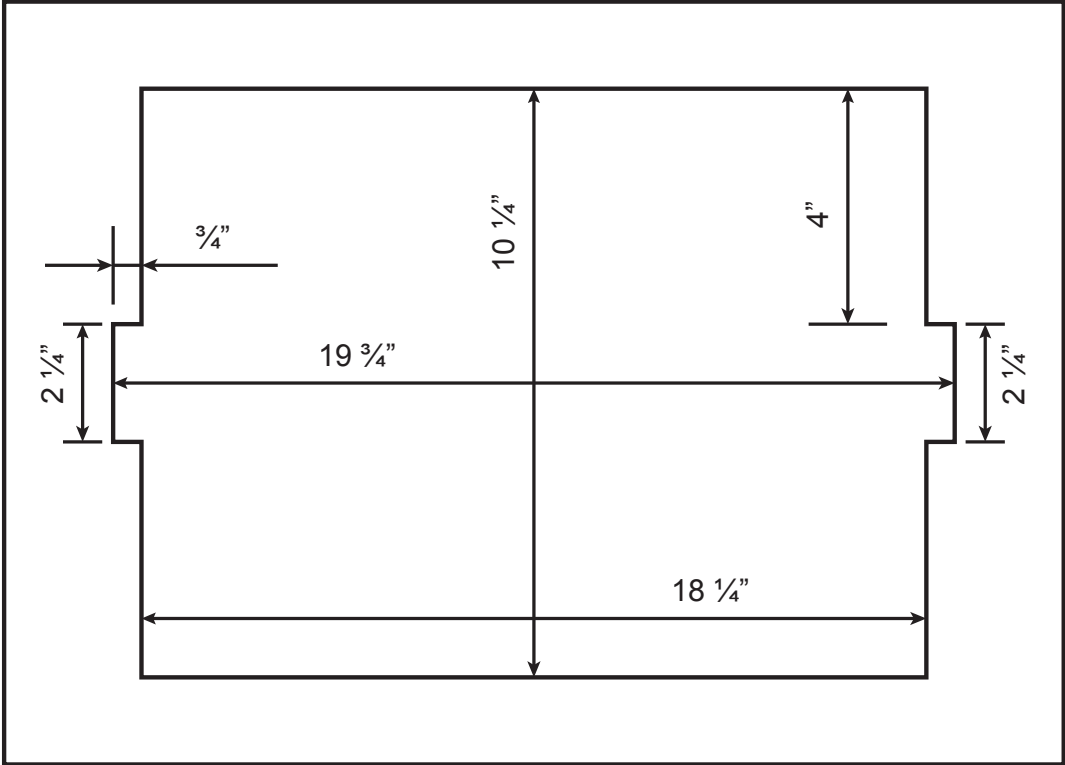
5. Pull the slide outwards to expose the inside of the range hood. Locate the adjustable screw hole underneath both sides of the hood.
6. Once located, use a Phillips screwdriver to tighten the adjustable screw until the unit is tightly fastened to the base of the cabinetry (Figure 4).
7. Make sure that the adapter is connected to ductwork.
8. Place mesh filters back into place.
9. Connect the power plug to the junction box.

Figure 4.

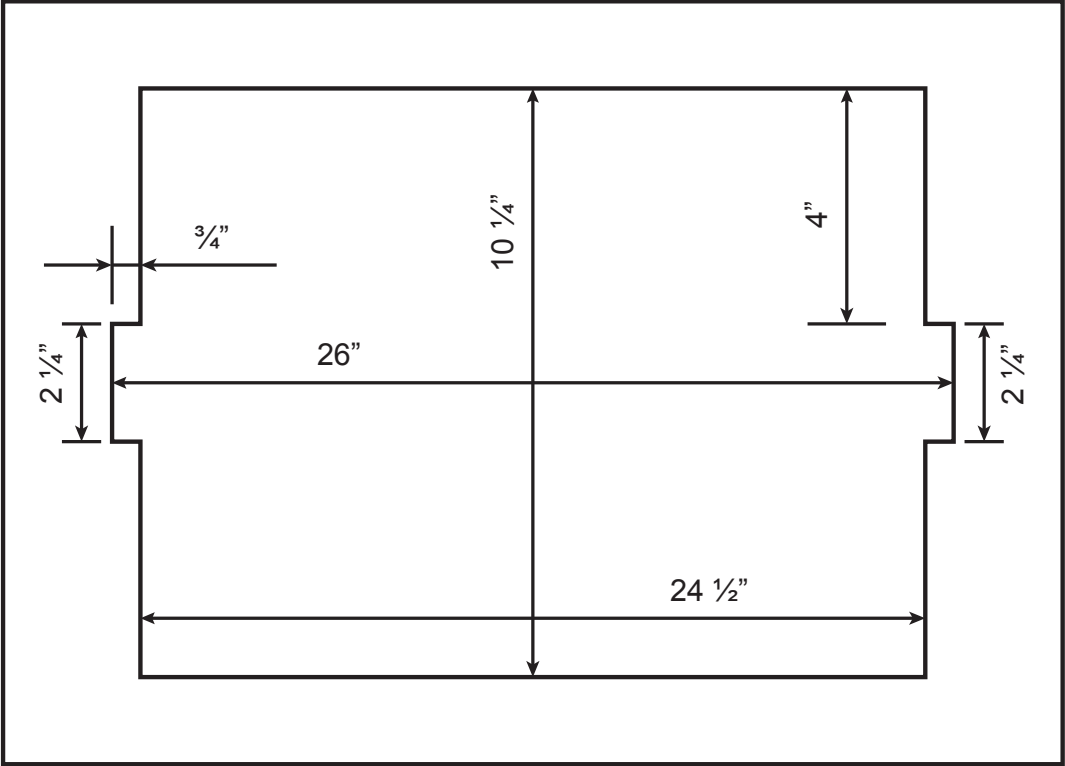


SS130 INSTALLATION - INSTALLATION CUTOUT TEMPLATES

SS13024

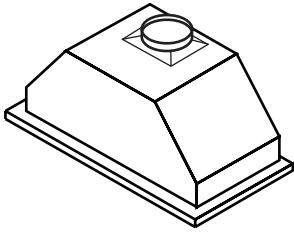


SS13030

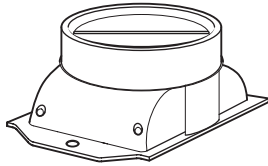


BX215 INSTALLATION - PARTS SUPPLIED

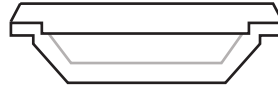
1 × Hood



1 × Round Adapter



1 × Rectangular Oil Collector

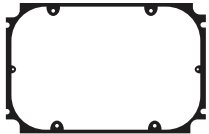


INCLUDED IN UNIT

2 × Halogen Lights
(120V, 20W)

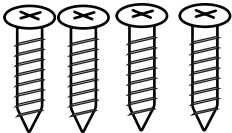


1 × Plastic Adapter Seal

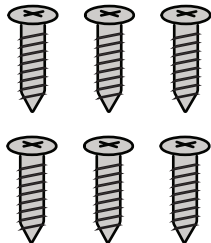


HARDWARE PACKAGE

4 × Mounting Screws



6 × Adapter Screws



BX215 INSERT HOOD INSTALLATION

This appliance requires 120V 60Hz electrical supply and connection to an individual properly grounded branch circuit protected by a circuit breaker or time delay fuse.

CAUTION

- At least two installers are required due to the weight and size of the hood.

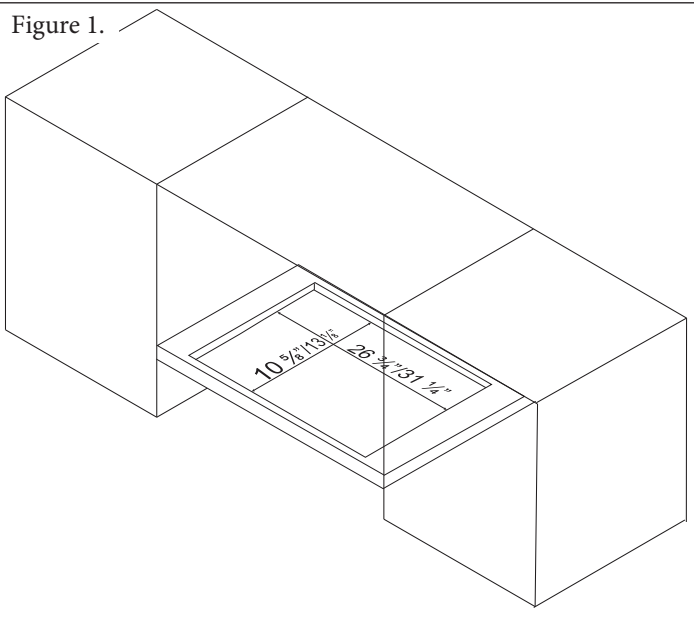
WARNING

- Turn off power circuit at the service panel before wiring this unit.
- All electrical work must be done by a qualified electrician in accordance with all applicable codes and standards. This range hood must be properly grounded.

Prepare for Installation

1. Unpack range hood and check contents. Note: Be cautious of sharp edges within the unit.
2. Cut the insert cutout at the bottom of the cabinet using the given cutout measurements on page 15 (Figure 1).
3. Locate the cutout at the center of the bottom of the cabinet.

Figure 1.



Installing the BX215 Range Hood

1. Remove outer mesh filters of range hood.
2. Attach damper to rectangular cutout on top of the range hood using the screws provided (Figure 2).
3. Remove the top panel (Figure 3).

Figure 2.

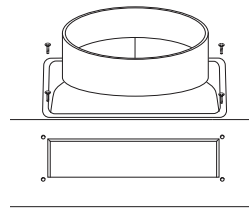
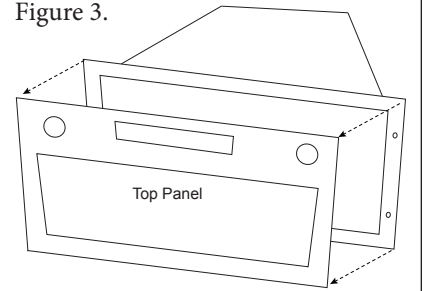
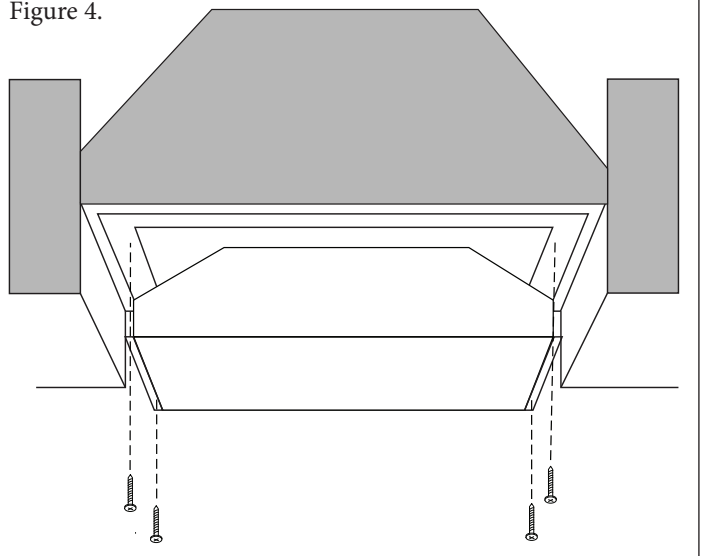


Figure 3.



4. Hold range hood upright, and insert range hood upward into cabinet cutout. Mount the insert range hood to the cabinet using four screws on the left and right sides of the bottom of the range hood (Figure 4).

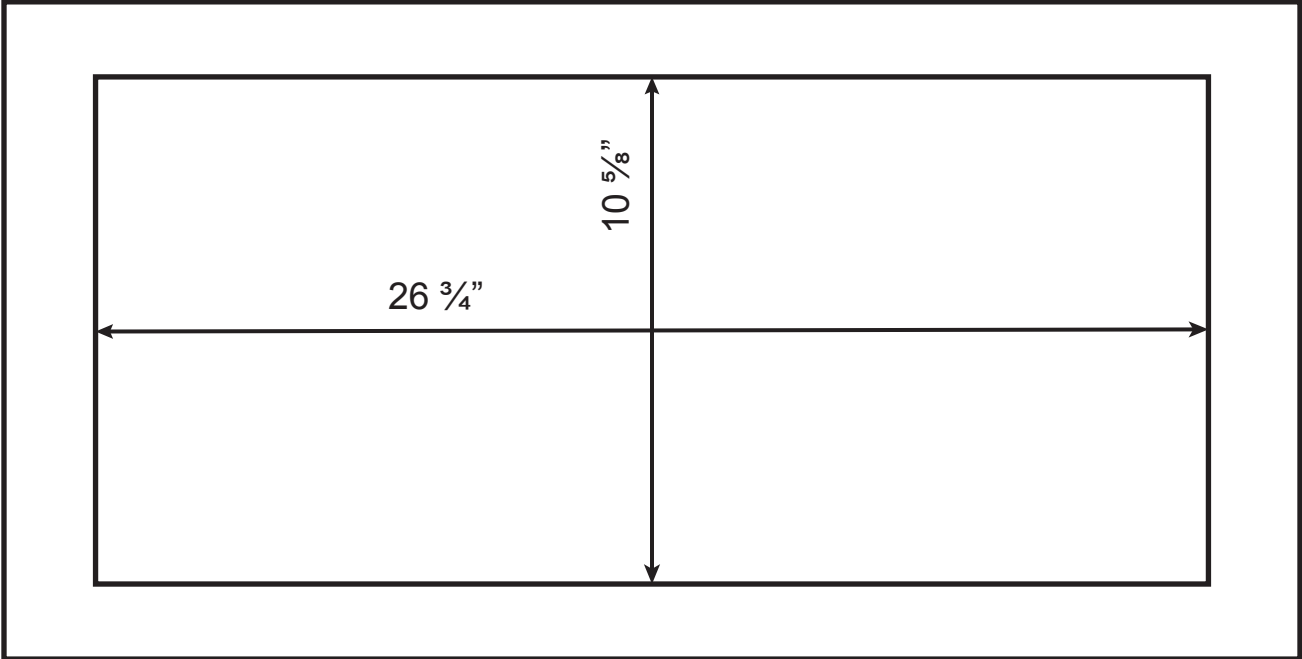
Figure 4.



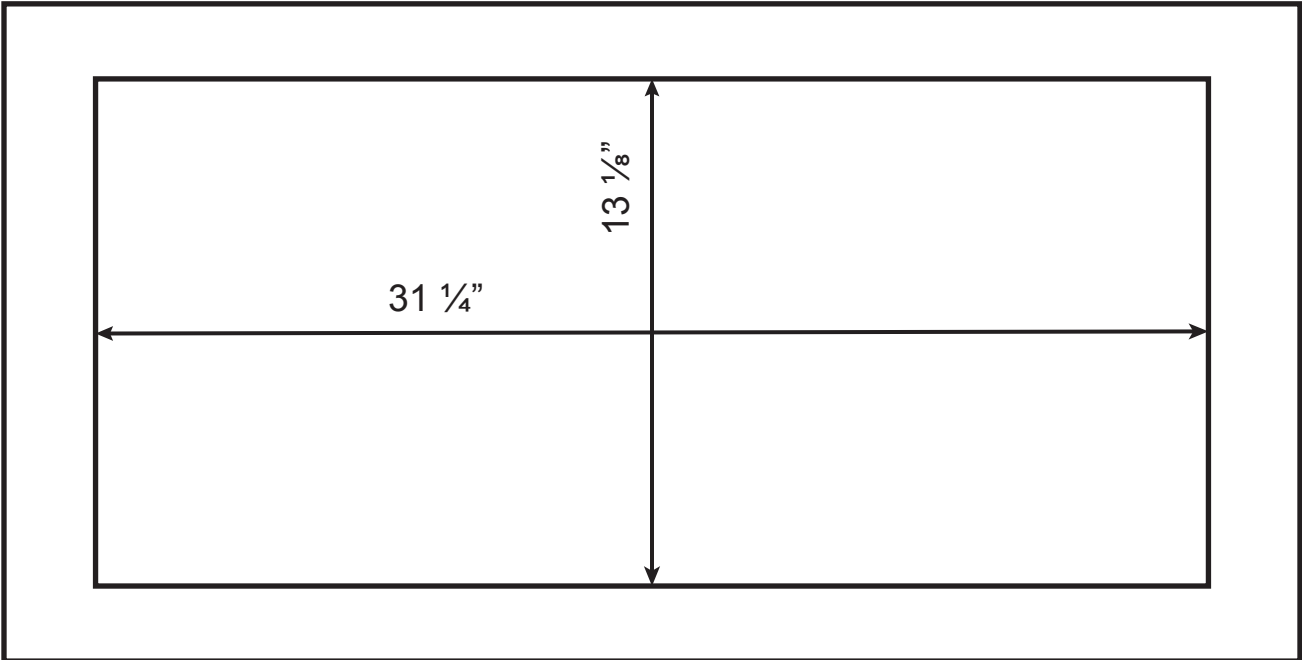
5. Reattach and screw top panel onto range hood.
6. Make sure that the adapter is connected to ductwork.
7. Place mesh filters back into place.
8. Connect the power plug to the junction box.

BX215 INSTALLATION - INSTALLATION CUTOUT TEMPLATES

BX21528

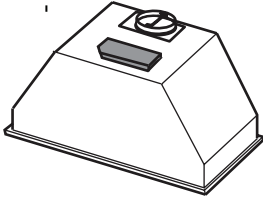


BX21534

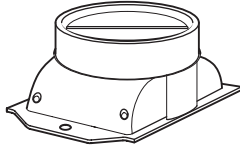


BX600 INSTALLATION - PARTS SUPPLIED

1 × Hood



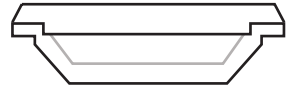
PRE-INSTALLED
1 × Round Adapter



PRE-INSTALLED
2 × LED Lights

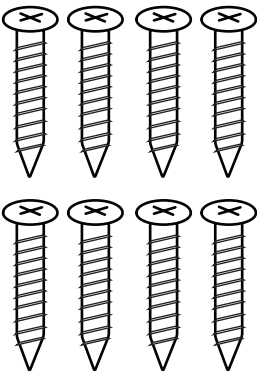


1 × Rectangular Oil Collector



HARDWARE PACKAGE

8 × Mounting Screws



BX600 INSERT HOOD INSTALLATION

This appliance requires 120V 60Hz electrical supply and connection to an individual properly grounded branch circuit protected by a circuit breaker or time delay fuse.

CAUTION

- At least two installers are required due to the weight and size of the hood.

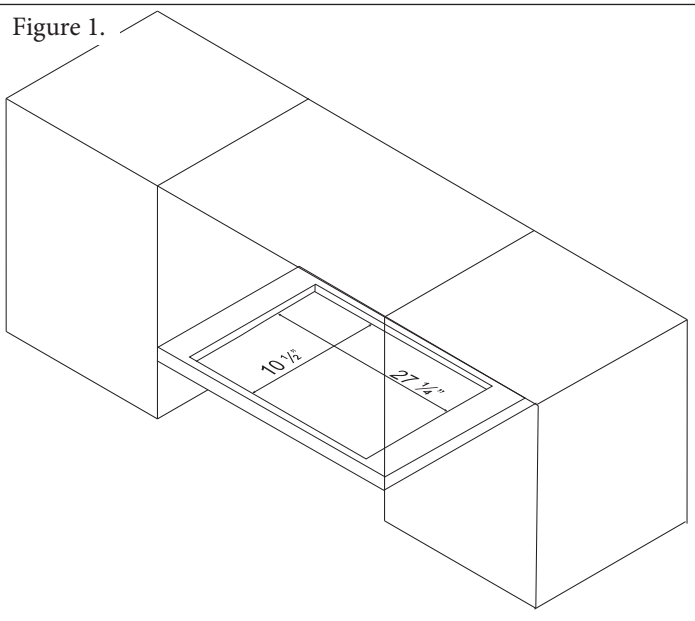
WARNING

- Turn off power circuit at the service panel before wiring this unit.
- All electrical work must be done by a qualified electrician in accordance with all applicable codes and standards. This range hood must be properly grounded.

Prepare for Installation

1. Unpack range hood and check contents. Note: Be cautious of sharp edges within the unit.
2. Cut the insert cutout at the bottom of the cabinet using the given cutout measurements on page 18 (Figure 1).
3. Locate the cutout at the center of the bottom of the cabinet.

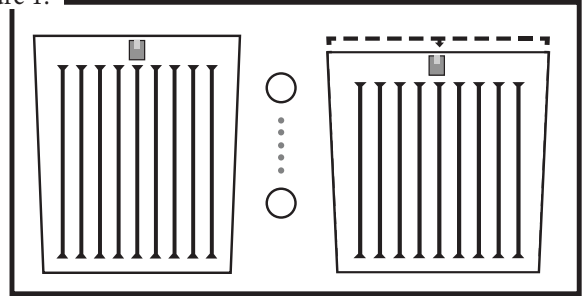
Figure 1.



Install the BX600 Range Hood

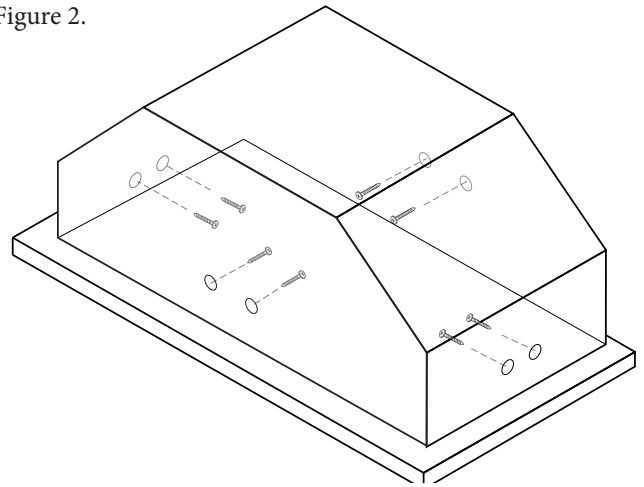
1. Remove outer baffle filters of range hood (Figure 1).

Figure 1.



2. Hold range hood upright, and insert range hood upward into cabinet cutout. Mount the insert range hood to the cabinet using eight screws from inside the range hood (two screws on each side) (Figure 2).

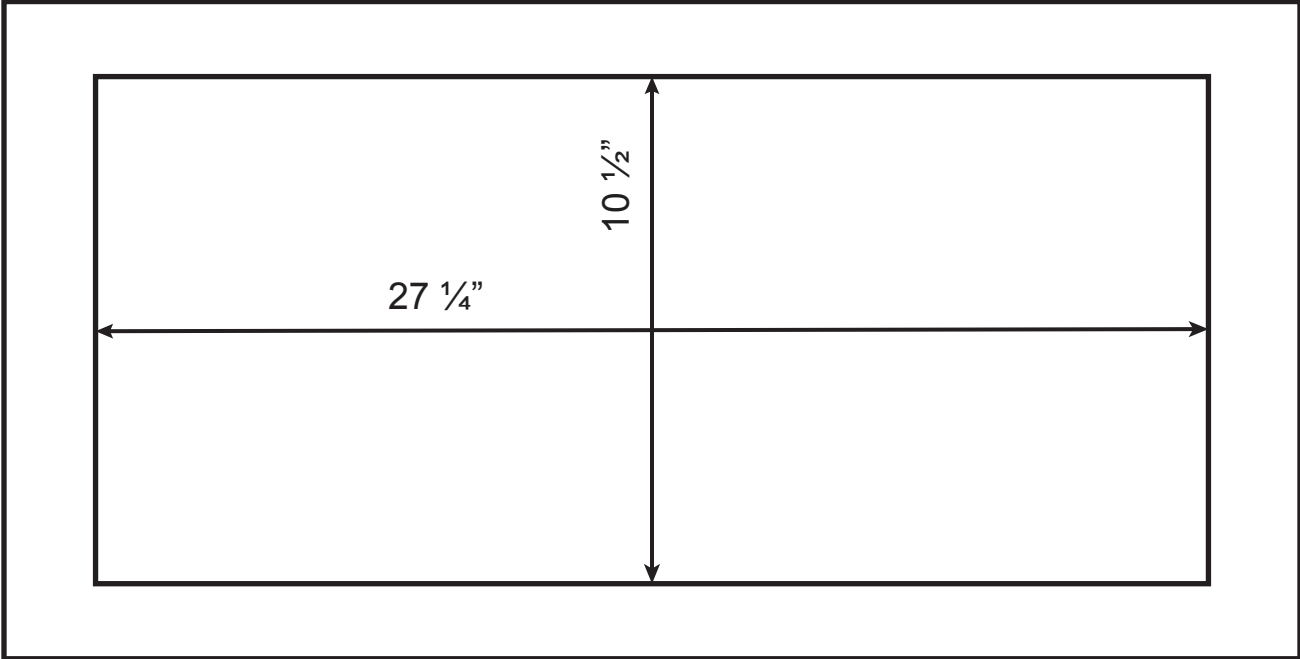
Figure 2.



3. Place baffle filters back into place.
4. Connect the power plug to the junction box.

BX600 INSTALLATION - INSTALLATION CUTOUT TEMPLATES

BX600

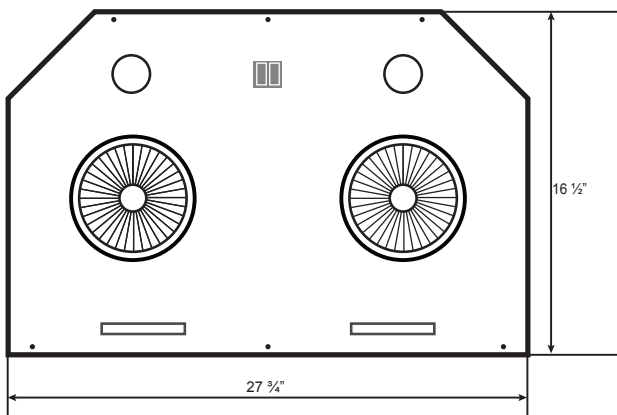
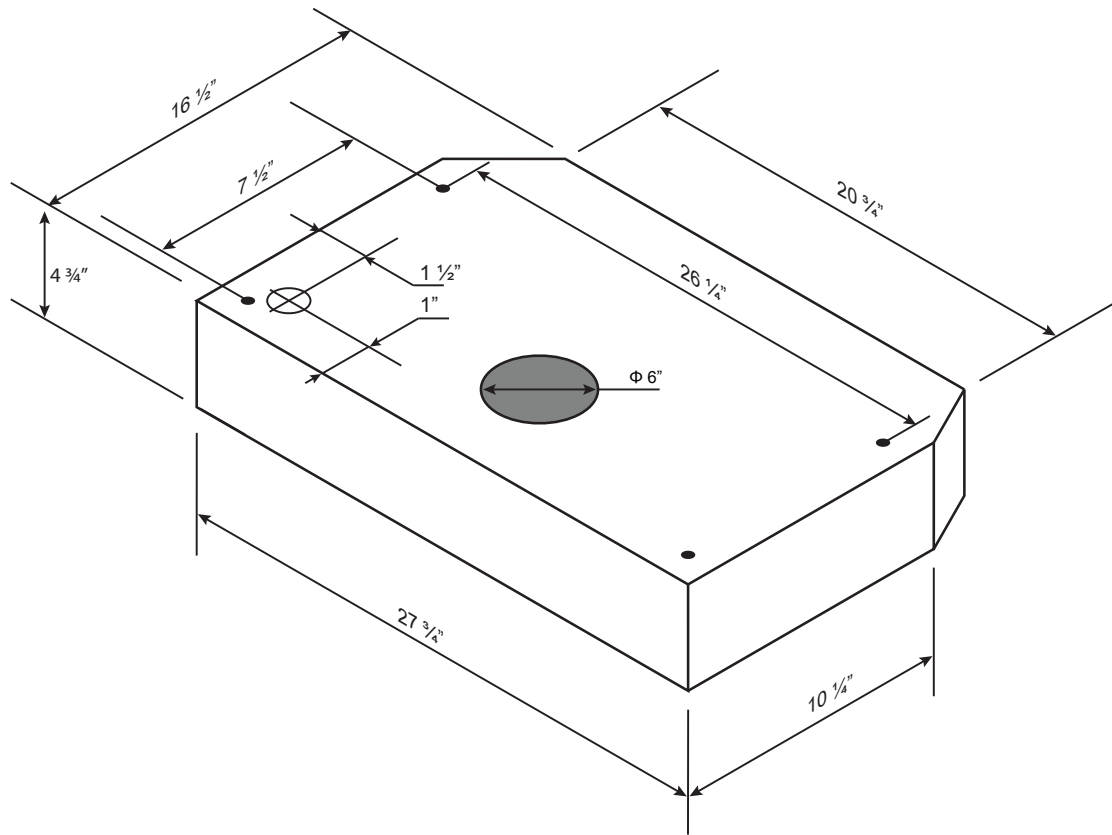


INSERT HOODS SPECIFICATIONS

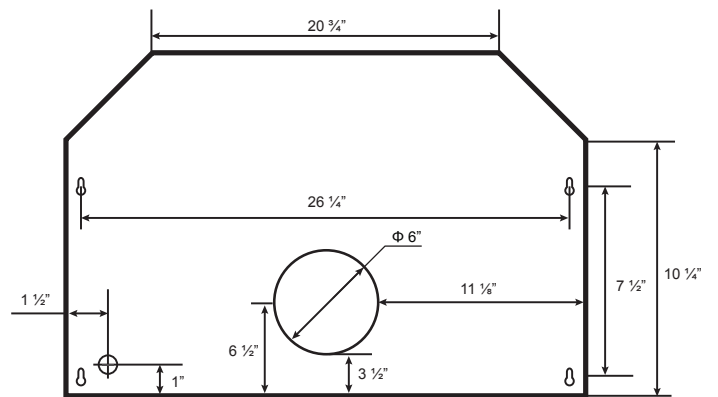
	BX2000/BX2010	BX21528/BX21534	BX600	SS13024/SS13030
SIZE	28"	28"/34"	28"	24"/30"
MAX. CUBIC FEET/METER (CFM)	680	550	600	300
MAX. SONES	5	5	6	5
MOTOR	DOUBLE	SINGLE	SINGLE	SINGLE
FINISH	WHITE STAINLESS STEEL	STAINLESS STEEL	STAINLESS STEEL	STAINLESS STEEL
CONTROLS	ROCKER SWITCH	SLIDE CONTROL	PUSH CONTROL	SLIDE CONTROL
SPEED LEVELS	2	3	6	3
FILTERS	FILTERLESS	MESH	BAFFLE	MESH
DUCT	6" ROUND TOP BX2010 - 3½" × 10" RECTANGULAR TOP OR REAR	WITH ADAPTOR 6" ROUND TOP	WITH ADAPTOR 6" ROUND TOP	WITH ADAPTOR 6" ROUND TOP
MAX. FAN SPEED	1550RPM	1550RPM	1664RPM	1254RPM

SPECIFICATIONS

Classic Collection Insert - Model: BX2000



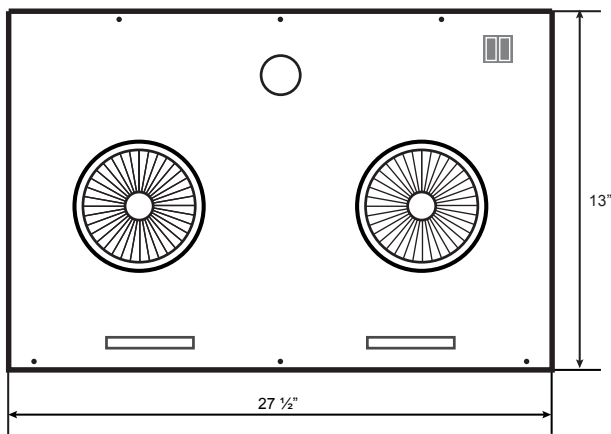
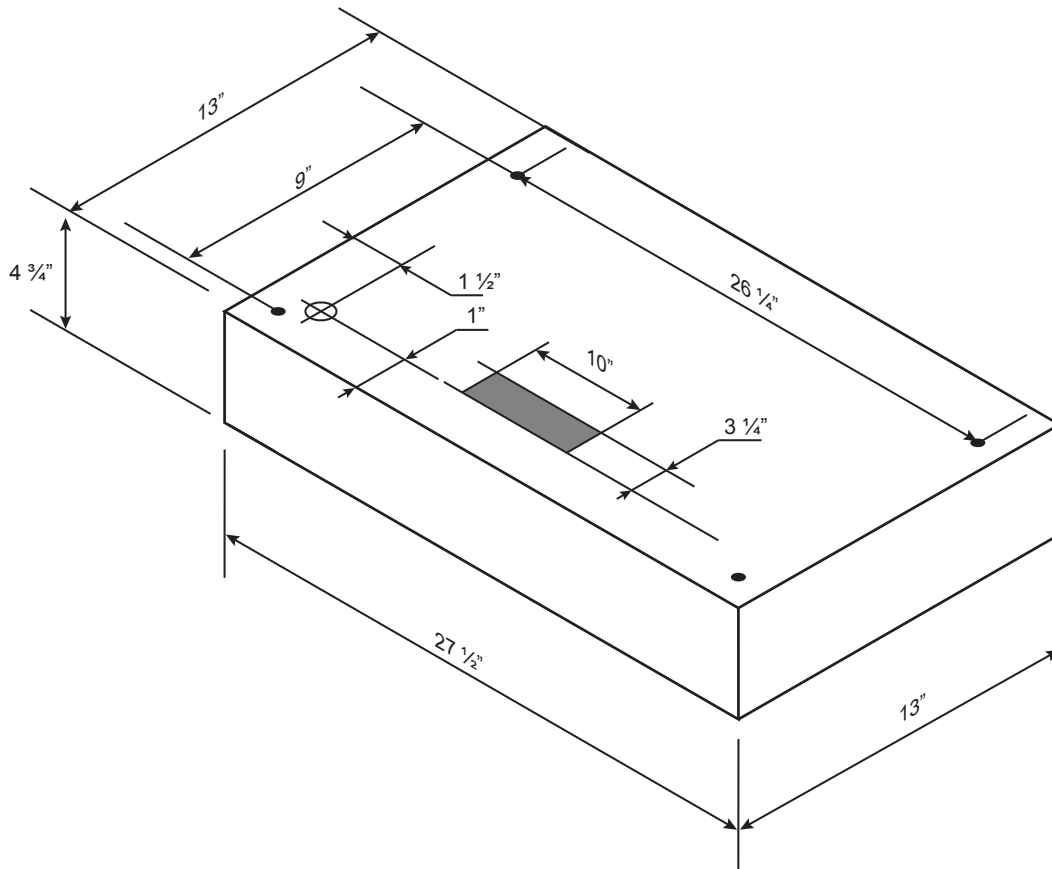
BOTTOM



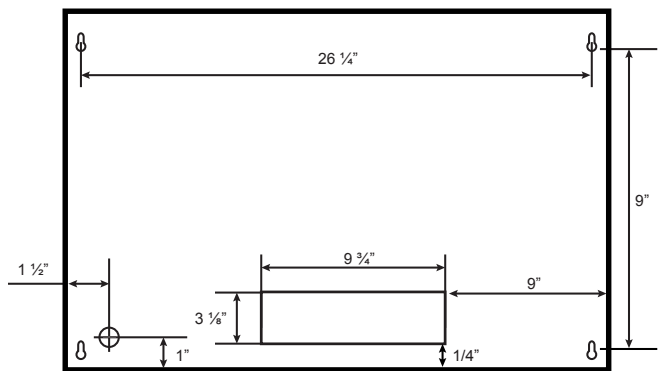
TOP

SPECIFICATIONS

Classic Collection Insert - Model: BX2010



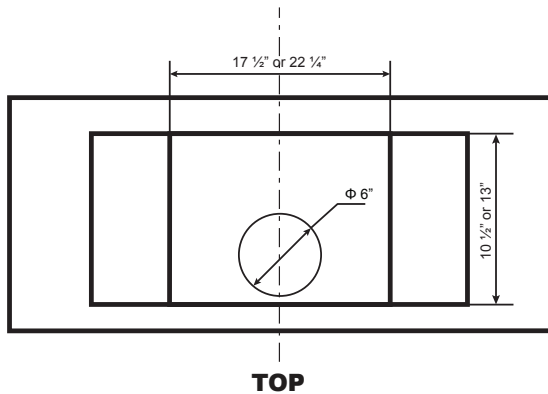
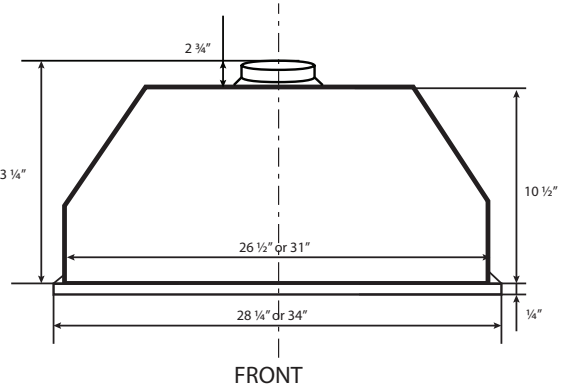
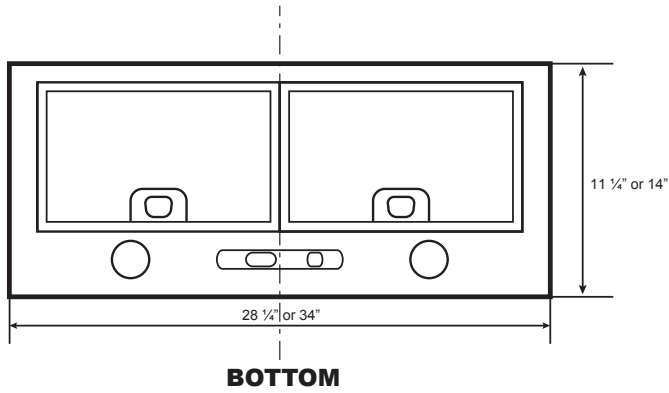
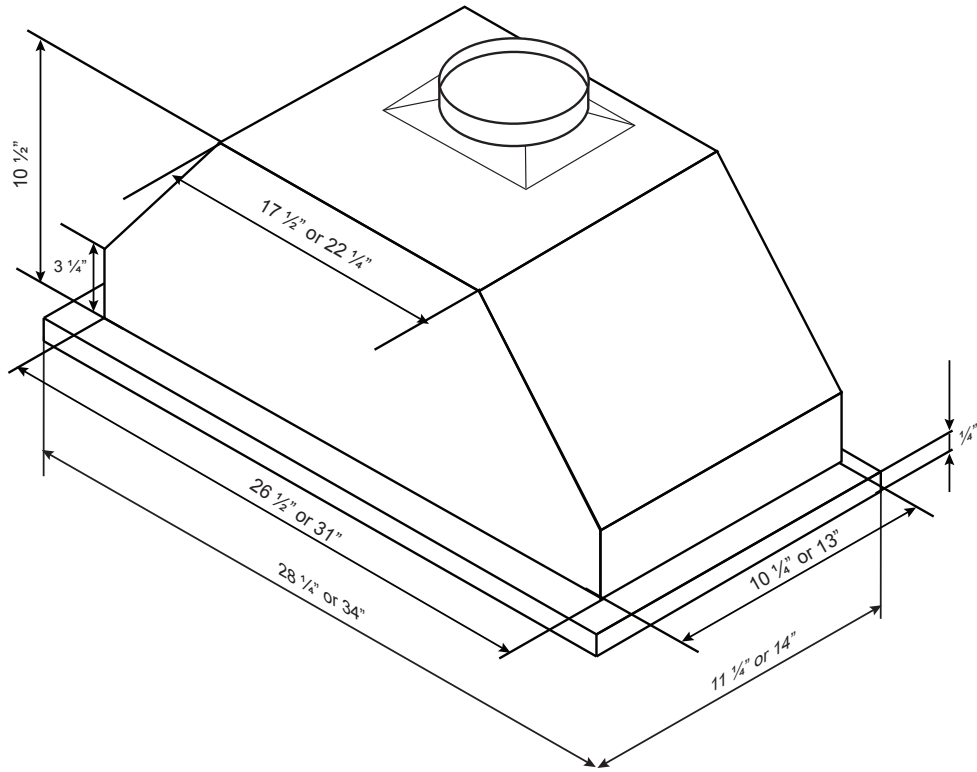
BOTTOM



TOP

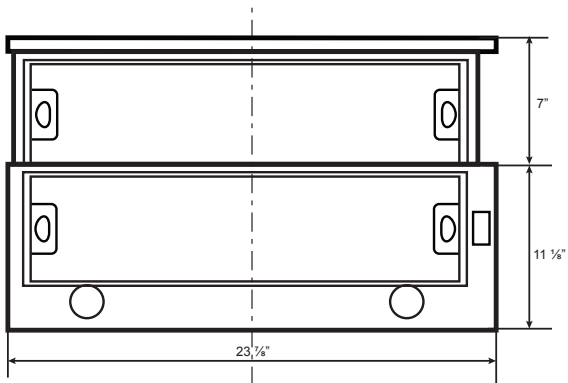
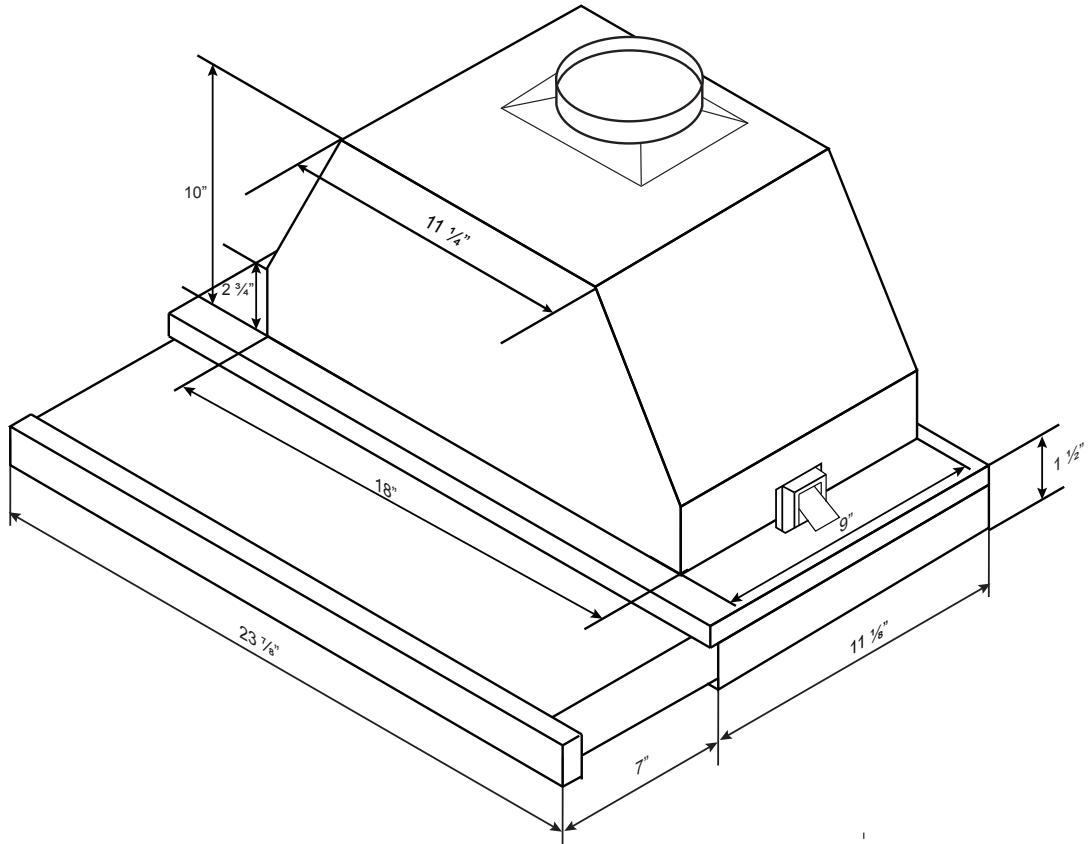
SPECIFICATIONS

Classic Collection Insert - Model: BX215

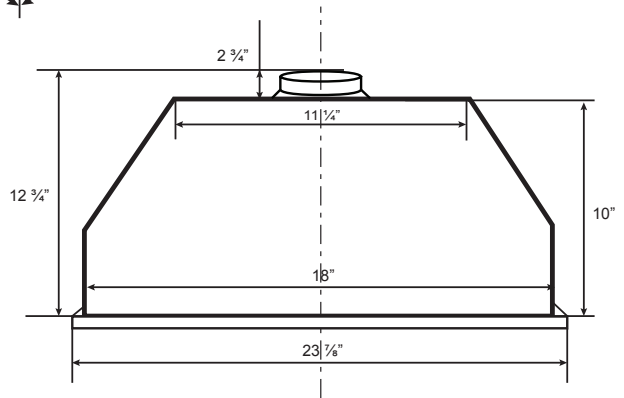


SPECIFICATIONS

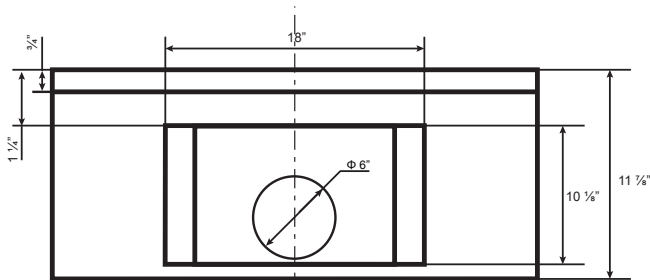
Classic Collection Insert - Model: SS13024



BOTTOM



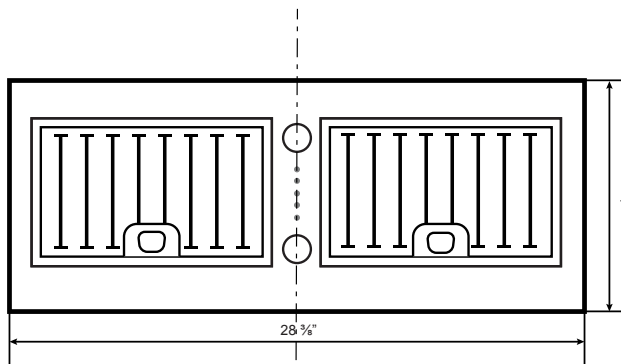
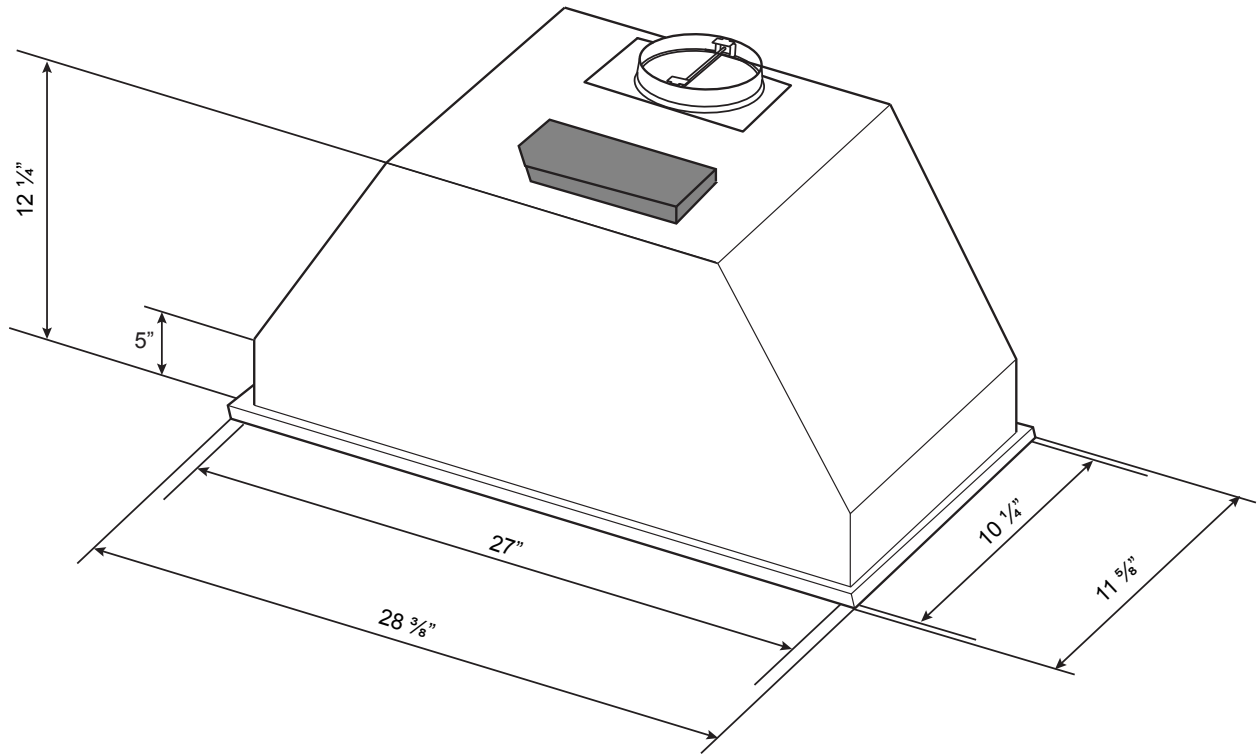
FRONT



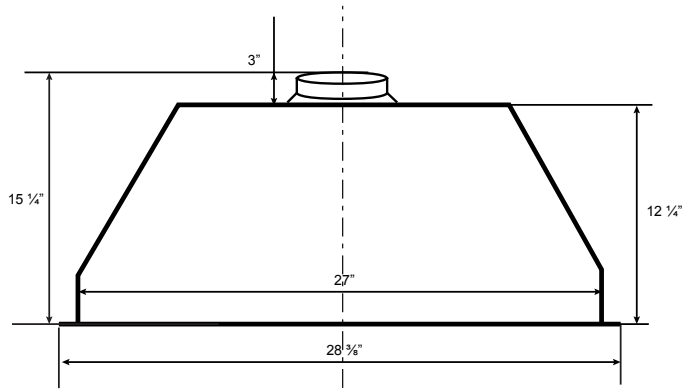
TOP

SPECIFICATIONS

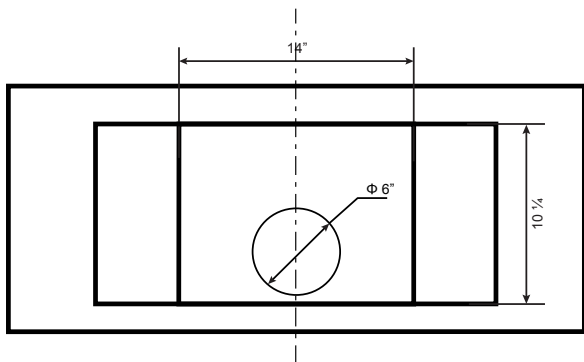
Classic Collection Insert - Model: BX600



BOTTOM



FRONT



TOP

TROUBLESHOOTING

ISSUE	CAUSE	SOLUTION
Unit doesn't work after installation.	1. The power source is not turned ON.	1. Ensure power is ON for the circuit breaker and unit.
	2. The power line and the cable locking connector are not connected properly.	2. Check the power connection with the unit is connected properly.
	3. The unit does not turn on when it is at full extension (SS130 only).	3. Check if the slide control is turned off or set to 0.
Light indicates power ON but motor doesn't turn.	1. The motor is defective, possibly seized.	1. Change the motor. Servicing may be required.
	2. The motherboard is defective.	2. Change defective part. Servicing may be required.
The unit vibrates.	1. The motor is not secured.	1. Tighten the motor in place.
	2. Damaged blower wheel.	2. Replace the blower wheel. Servicing may be required.
	3. The hood is not secured in place.	3. Check the installation of the hood.
	4. Venting duct too small or blockage in the duct opening or ductwork.	4. Check the venting duct and the wall cap or roof cap.
Motor works but lights do not turn on.	1. Defective halogen bulb.	1. Change the halogen bulb.
	2. The light bulb is loose.	2. Tighten the light bulb.
The hood is not venting out properly.	1. The hood might be hanging too high from the cook top.	1. Adjust the distance between the cook top and the bottom of the hood within 28" - 36" above the range.
	2. Blockage in the duct opening or ductwork.	2. Remove all the blocking from the duct work or duct opening.
	3. Using the wrong size of ducting.	3. Use at least 6" duct work.

MAINTENANCE

For a complete description of our maintenance and operating instructions you may visit us on-line at www.CycloneRangeHoods.com to download your model's Owner's Manual.

WARNING

- Always switch off power and unplug before cleaning and maintenance.

Surface and Filter Cleaning:

Clean with warm soapy water and a clean cloth. Do not use corrosive or abrasive detergent or steel wool pads that can scratch the surface of the machine.

Use non-abrasive stainless steel polish to buff out the luster and grain. Scrub lightly.

The stainless steel filters trap residue and grease from cooking. The filters should never have to be replaced but should be cleaned thoroughly every 30 to 60 days depending on cooking habits. Filters may be placed on the top rack of the dishwasher or soaked in warm, soapy water.

Spray degreasing detergent and leave to soak if heavily soiled.

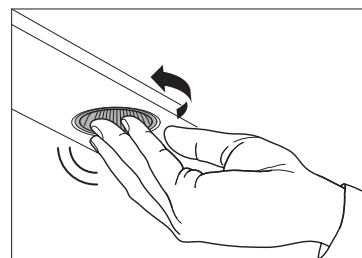
Replacing Lightbulbs:

WARNING

- Always switch off electrical supply before carrying out any operation on the appliance.
- In order to prevent the risk of personal injury, the halogen lamps must be cooled before removal.
- Use Type G4 12V 20W maximum, halogen bulb for SS130.

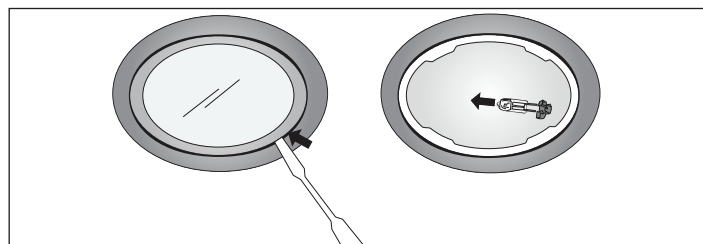
To change bulbs for BX2000/BX2010/BX215/BX6000

1. Firmly press fingers against the lightbulb and twist counter-clockwise until bulb is loosened.



To change bulbs for SS130:

1. Pull front slide out towards self and remove inner mesh filters.
2. Push pot light away from machine out and disconnect pot light with other electrical wires.
3. Use a slot-head screwdriver to dislodge the bulb cover. Remove the bulb from the socket.
4. Replace with Type G4, 12V, 20W Maximum, halogen bulb.
5. Replace the light bulb cover by inserting the three prongs into the slots and insert back into place.

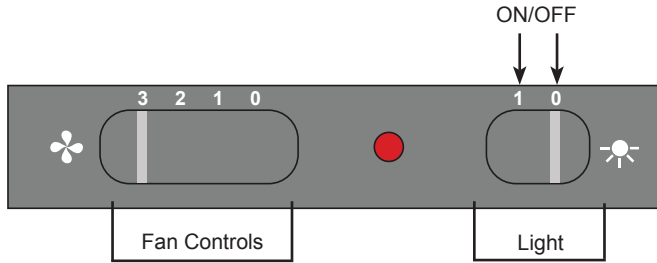


CONTROL PANEL

Model: BX215

The unit is controlled by slide controls.

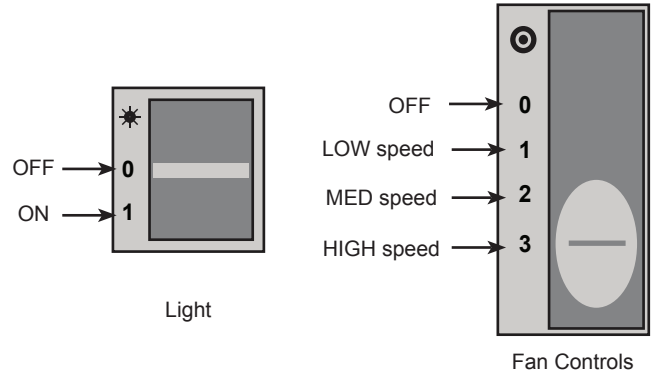
The fan and light are each controlled by a slide control. The fan switch has four positions: HIGH, MED, LOW and OFF. The light switch has two positions, ON and OFF.



Model: SS130

The unit is controlled by slide controls.

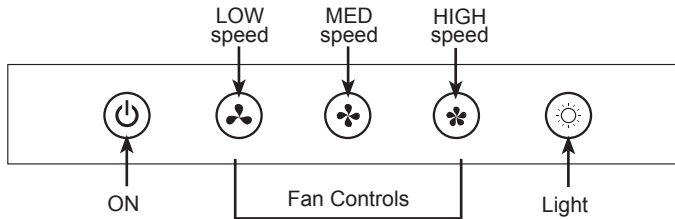
The fan and light are each controlled by a slide control. The fan switch has four positions: HIGH, MED, LOW and OFF. The light switch has two positions, ON and OFF.



Model: BX600

The unit is controlled by push buttons.

The fan and lights are each controlled by a push buttons. switch. The fan switch has four positions: HIGH, MED, LOW and OFF. The light switch has two positions, ON and OFF.



Automatic Operations

Simply pull the front slide out towards yourself and turn the light switch to “on” and have the fan setting to the desired speed at which you would like the fan to start (control is found underneath hood on the right side). Push slide back into place. Now when you pull the front slide out towards yourself the unit lights and fan should automatically come on.

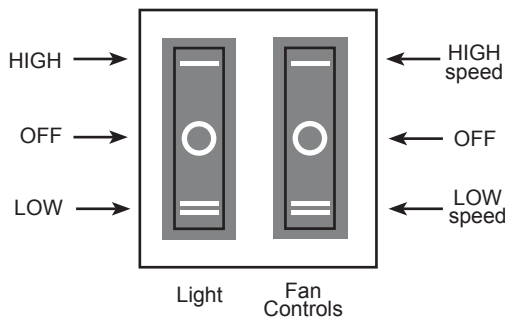
To Engage Time-Delay Off Functions:

From underneath hood go to slide out and slide the control to the desired speed. To access light control pull front slide out towards you and turn the light switch.

Model: BX2000/ BX2010

The unit is controlled by rocker switches.

The fan and light are each controlled by a rocker switch. The fan switch has three positions: HIGH, LOW and OFF. The light switch has two positions, ON and OFF.



CYCLONE RANGE HOODS LIMITED WARRANTY

North American Range Hoods Inc. (hereunder called “The Company”) provides a warranty that its products are free from defects in workmanship and materials for a period of two (2) years from the date of purchase. This warranty includes in-home service (where applicable) for the first year and workshop service for the second year. During that time period, The Company will, at the Company’s option, repair or replace without charge any parts or complete unit found to be defective. Further, the warranty for the motor extends for an additional eight (8) years, with labor costs extra. This warranty is not transferrable from the original purchaser. The company reserves the right to use functionally equivalent reconditioned parts or products as warranty replacement or as part of warranty service.

THE COMPANY WILL NOT BE HELD RESPONSIBLE FOR ANY CLAIMS OVER THE ORIGINAL PURCHASE PRICE OF THE PRODUCTS NOR BE LIABLE FOR INCIDENTAL, CONSEQUENTIAL OR SPECIAL DAMAGES ARISING OUT OF OR IN CONNECTION WITH PRODUCT USE OR PERFORMANCE.

Some provinces do not allow the exclusion or limitation of incidental or consequential damages, so the above limitation or exclusion may not apply to you.

In-home service will be made available only in areas where a contracted service provider offers services. If customer outside the service area, additional charges may apply for shipping costs for warranty repair or replacement. The unit removal and reinstallation works are under the customer responsibility.

This warranty does not cover any costs related to the products including to but not limited to:

- a) Normal maintenance service required for the products; b) light bulbs, plastic grease collector cups, filters, ducts, roof caps, wall caps and other accessories for ducting; c) natural wear of the finish of the products or wear caused by improper maintenance, use of corrosive and abrasive cleaning products; d) products or parts which have been subject to freight damage, misuse, negligence, accident or any other circumstances beyond the control of The company.
 - i. The warranty will be automatically void if any of the following apply:
 - ii. Commercial use of the products or use otherwise inconsistent with its intended purpose;
 - iii. The function of part or the complete assembly has been modified or repaired by unauthorized person;
 - iv. Faulty installation or installation contrary to recommended installation instructions:
 - **The hood installed at less than 28” minimum above the range surface;**
 - **Ventilation system has not been vented to the outside or ventilation system stuck;**
 - **Less than 6” round or equivalent ductwork has been used anywhere in the venting system for models with 550 CFM or more CFM;**
 - **The venting duct turned downward anywhere in the venting system;**
 - **Wrong electrical wire connection for the fan.**

To qualify for warranty service you must: (a) notify us at the address telephone number stated below within 2 days of the discovery of the defect; (b) provide the model number and serial number; and (c) describe the nature of any defect in the product or part.

At the time of requesting for service, you must present evidence of your proof of purchase and proof of the original purchase date. If we determine that the warranty exclusions listed above apply or if you fail to provide the necessary documentation to obtain service, customer will be responsible for all shipping, travel, labor and other costs related to the service

For warranty services or repair. Please contact the dealer from whom you purchase the product or the address shown below.

North America Range Hoods Inc.
1361 Huntingwood Drive, Unit 16
Scarborough, ON M1S 3J1
Tel: 1-888-293-5662 or (416) 293-0933 Fax (416) 293-4793
Email: Info@CycloneRangeHoods.com
Website: www.CycloneRangeHoods.com