



**VECTGM305SS**

**VECTGM365SS**

**VECTGM424SS**

**VECTGM244SS**



**Table of Contents**


	Page
<b>Special Warnings .....</b>	<b>4</b>
<b>Product Dimensions and Cutout Requirements.....</b>	<b>5</b>
<i>Important Preparation Suggestions.....</i>	<i>5</i>
<i>Mobile Home Installation.....</i>	<i>7</i>
<b>Cooktop Installation.....</b>	<b>8</b>
<b>Gas Requirement .....</b>	<b>10</b>
<i>Gas Connection .....</i>	<i>11</i>
<i>Pressure Testing.....</i>	<i>13</i>
<b>Electrical Requirements .....</b>	<b>14</b>
<i>General Information .....</i>	<i>14</i>
<i>Electrical Connection .....</i>	<i>14</i>
<i>Electrical Requirements .....</i>	<i>14</i>
<b>Conversion for LP or NG Gas .....</b>	<b>16</b>
<i>Converting Appliance for Use with LP Gas .....</i>	<i>16</i>
<i>Converting Appliances for Use with NG Gas.....</i>	<i>17</i>
<i>Low Flame Adjustment.....</i>	<i>19</i>
<i>Electric gas ignition .....</i>	<i>20</i>

**Pay attention to these symbols present in this manual:**



**DANGER**

You can be killed or seriously injured if you don't IMMEDIATELY follow instructions.




**WARNING**

- This is the safety alert symbol. This symbol alerts you to potential hazards that can kill or hurt you and others.
- You can be killed or seriously injured if you don't follow these instructions.

**READ AND SAVE THESE INSTRUCTIONS.**

**To installer:**  
Leave these instructions with the appliance.

**To customer:**  
Retain these instructions for future reference.



**WARNING**

- If the information in this manual is not followed exactly, a fire or explosion may result in personal injury or death.
- Do not store or use gasoline or other flammable vapours and liquids in the vicinity of this or any other appliance.

**IMPORTANT:** Save these instructions for the local electrical inspector use.  
**INSTALLER:** Please leave this manual with owner for future reference.  
**OWNER:** Please keep this manual for future reference.

 **IMPORTANT**  
*Special Warnings*

Please read all instructions before using this appliance.

Proper installation is your responsibility. Have a qualified technician install this cooktop.

**Important:**

- Observe all governing codes and ordinances.
- Write down the model and serial numbers before installing the cook top. Both numbers are on the serial rating plate located on bottom of cooktop box.

**Before Starting Installation**

- Check location where cooktop will be installed. The location should be away from strong drafty areas, such as windows, doors and strong heating vents or fans.
- Electrical grounding is required. See "Electrical Requirements"
- Assure that electrical installation is adequate and in conformance with National Electrical Code, ANSI/NFPA 70 - latest edition\*\*, or Canadian Electrical Code, part 1 C22.1 (latest edition)\*\*\* and all local codes and ordinances.
- Assure that gas connection conforms with local codes and ordinances. In the absence of local codes, installations must conform with American National Standard, National Fuel Gas Code ANSI Z223/NFPA 54 - latest edition\*\* Canadian CAN/CGA\_B 149.1 or CAN/CGA-149.2 latest edition\*\*

Copies of the standards listed may be obtained from:

\*\* National Fire Protection Association One Batterymarch Park  
Quincy, Massachusetts 02269

\*\*\* CSA International 8501 East Pleasant Valley Rd. Cleveland, OH  
44131-5575

**NOTE:**

This cooktop is manufactured for use with Natural gas or Propane.

To convert to LP (propane) or NG (natural gas), see instruction in the gas conversion kit provided in literature package. Proper gas supply connection must be available. See gas supply requirements.

 **WARNING**

BEFORE CONNECTING THE APPLIANCE ON THE GAS LINE SUPPLY, ENSURE THAT ITS GAS SETTING IS APPROPRIATE. THE TYPE OF GAS ADJUSTED AND SHIPPED FROM THE FACTORY IS INDICATED ON THE RATING PLATE LOCATED ON BOTTOM OF THE BURNER BOX.

**Cooktop Installed over Oven Installation**

Only certain specified cooktop and oven models are approved for cooktop over oven installations. Cooktops approved for this type of installation will have an approval label located on the outside of the burner box.

If you do not find this label, contact your dealer to confirm that cooktop is approved.

The label on the bottom of your cooktop lists the cooktop and oven combinations that are approved for this type of installation.



## Product Dimensions and Cutout Requirements

### Important Preparation Suggestions

1. Chamfer all exposed edges of decorative laminate to prevent damage from chipping.
2. **Radius corners of cutout and file to insure smooth edges and prevent corner cracking. Recommend 1/4" or 3/8" diameter drill in each corner.**
3. Rough edges, inside corners which have not been rounded and forced fits can contribute to cracking of the countertop laminate.

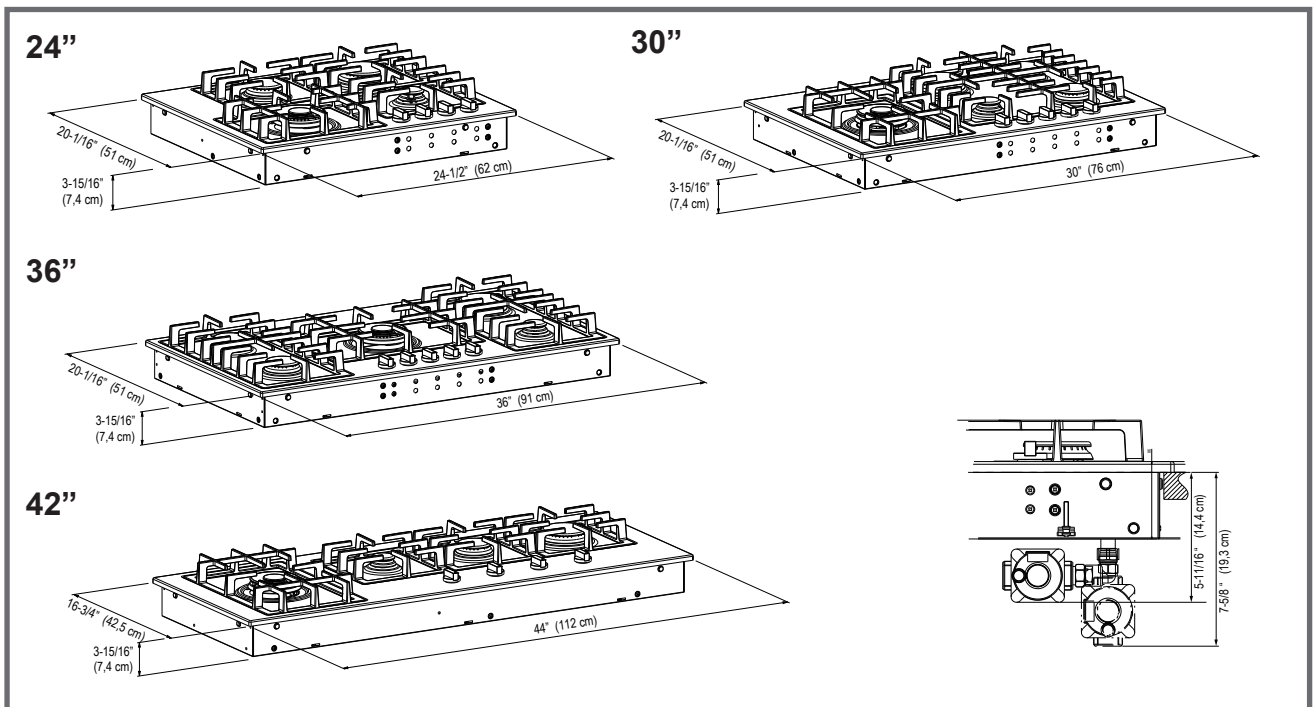


Figure 1. Product dimensions

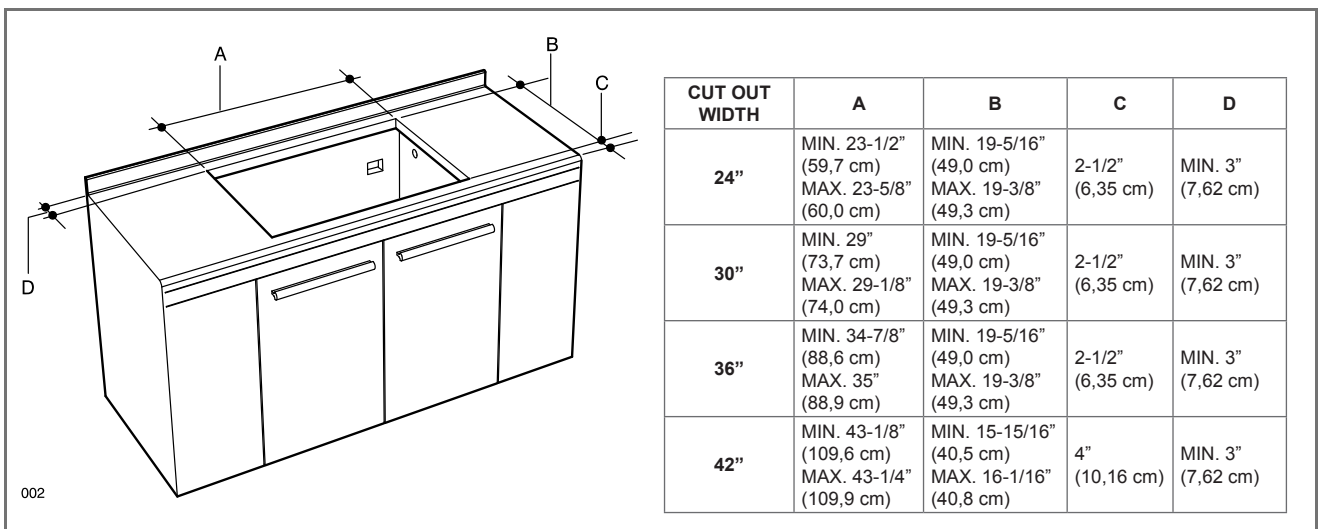
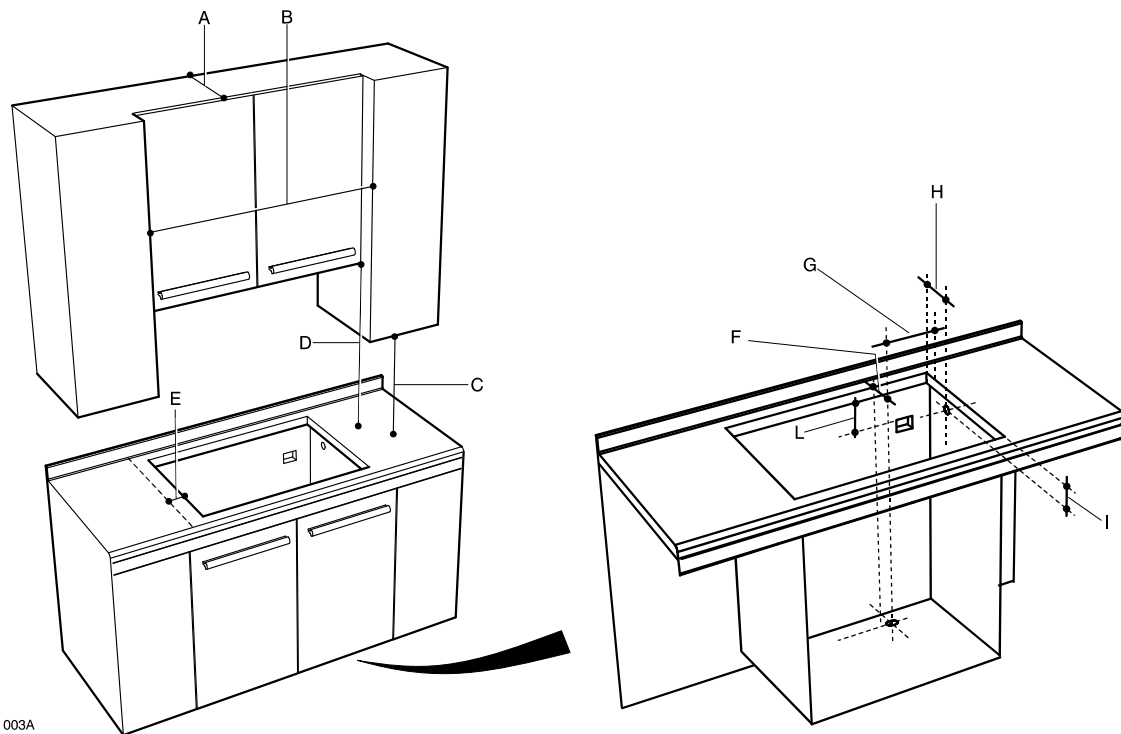


Figure 2. Cutout dimensions



003A

- A 13" (33 cm) Depth of unprotected overhead cabinets.
- B 24" (61.0 cm) MIN. (Model 24").  
 30" (76.2 cm) MIN. (Model 30").  
 36" (91.4 cm) MIN. (Model 36").  
 42" (106.7 cm) MIN. (Model 42").
- C 18" (47.7 cm) MIN. Height from countertop to nearest cabinet on either side of unit.
- D 30" (76.2 cm) MIN. (see Note\*) Clearance from countertop to unprotected overhead surface.
- E 5" (12.7 cm) min Clearance from cut out to side wall on the left and right of the unit.
- F From the back corner of cut-out to hole center 2-9/32" (5.8 cm).
- G From the right corner of cut-out to hole center 2-19/32" (6.6 cm).
- H From the back corner of cut-out to hole center 2-9/32" (5.8 cm). Opening with oven under cooktop.
- I From the top of countertop to hole center 4-25/32" (12.2 cm). Opening with oven under cooktop.
- L Electric outlet from bottom of counter top and adjacent to the cabinet side 12" (30.5 cm).
- **Hole 1-1/5" (3 cm).**

**\* NOTE:**

- If cabinet has a drawer, a 5-1/4"(13,35 cm) depth clearance from the top of the countertop to the top of the drawer (or other obstruction) in base cabinet is required. The drawer depth may need to be shortened to avoid interfering with the regulator.
- 24" (61 cm) min. clearance if bottom of wood or metal cabinets is protected by not less than 1/4" (0.6 cm) flame retardant millboard covered with not less than No. 28 MSG sheet steel 0.015" (0.04 cm) stainless steel, or 0.024" (0.06 cm) aluminium or 0.020" (0.05 cm) copper. 30" (76.2 cm) min. clearance between top of cooking platform and bottom of unprotected wood or metal cabinet.

**Figure 3. Cutout requirements**

We recommend to that you consider the minimum dimension of cut-out size in the case of new installation.



### WARNING

The appliance should not be installed with a ventilation system that blows air downward toward the range. This type of ventilation system may cause ignition and combustion problems with the gas cooking appliance resulting in personal injury or unintended operation.

### Mobile Home Installation

The installation of this cooktop must conform to the Manufactured Home Construction and Safety Standards, Title 24 CFR, Part 3280 (formerly the Federal Standard for Mobile Home Construction and Safety; Title 24 HUD part 280); or when such standard is not applicable, the Standard for Manufactured Home Installations (Manufactured Home Sites, Communities and Setups), ANSI A225.1 - latest edition, or with local codes.

In Canada, the installation of this cooktop must conform with the current standards CAN/CSA-Z240 - latest edition, or with local codes.

### Important:

- For solid surface material installations such as Surel™ and Corian®, consult with solid surface manufacturer. Apply heat reflective tape such as Scotch® Aluminum Foil Tape #425 or #427 around the cutout so that it folds over on the top and sides.
- DO NOT WRAP THE TAPE UNDERNEATH THE COOKTOP.
- Be sure the tape extends beyond the outermost flange of the cooktop. All corners should be covered with tape.

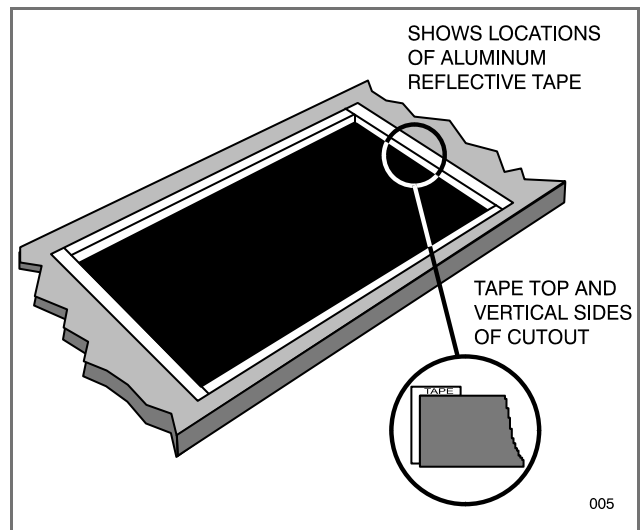


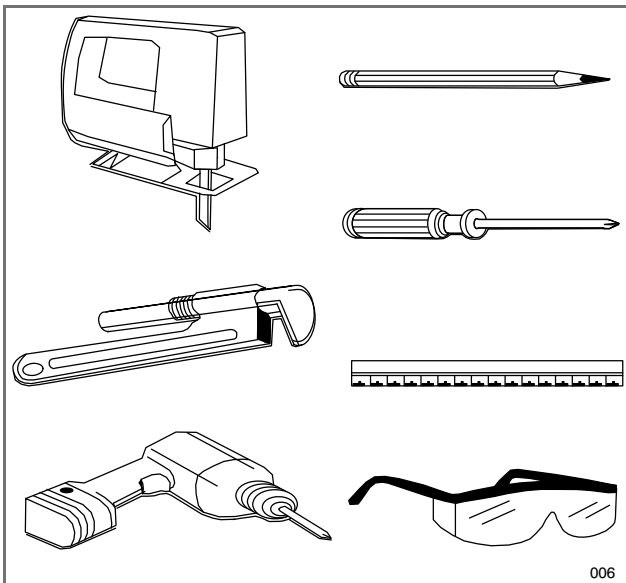
Figure 4. Solid surface countertop installation

*Cooktop Installation*

**⚠ WARNING**

- **Excessive Weight Hazard**  
Use two or more people to move and install cooktop. Failure to do so can result in back or other injury.
- **Cut Hazard**  
Beware of sharp edges. Use the polystyrene ends when carrying the product. Failure to use caution could result in minor injury or cuts.

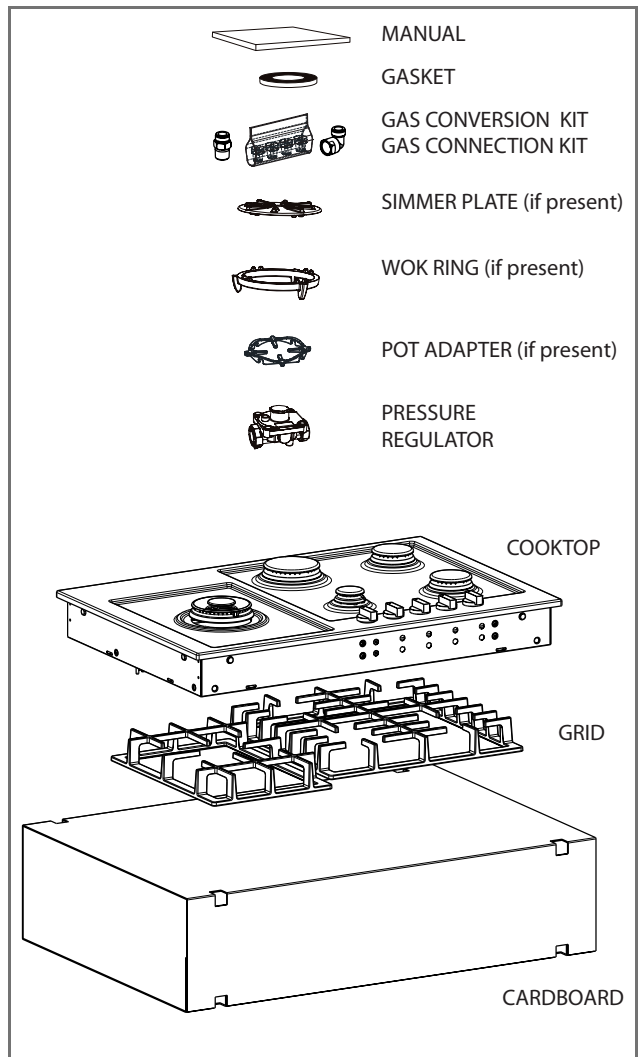
- Always consult the countertop manufacturer for specific instructions.
- Ensure the countertop is square and level and ensure no structural members interfere with space requirements.
- Prepare the cut-out according to the instructions (see cut-out dimensions).
- Make sure the wall coverings, countertop and cabinets around the cooktop can withstand heat (up to 200 °F).



**Figure 5. Tools you will need**

**Step 1**

Remove packaging materials and literature package from the cooktop before beginning installation. Remove Installation Instructions from literature pack and read them carefully before you begin.



**Figure 6. Parts**

**Step 2**

Before installing apply the foam tape.

A tape is provided to seal the cooktop edges to the countertop. Apply tape near inner underside cooktop edge.

Use tape around the entire cooktop perimeter.

Cut off excess where tape butt ends.

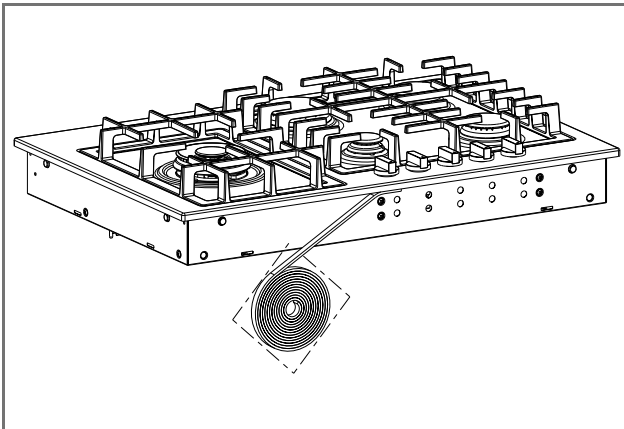


Figure 7.

**Step 3**

Insert the cooktop centered into the cutout opening. Make sure the front edge of the counter top is parallel to the cooktop. Make final check that all required clearances are met.

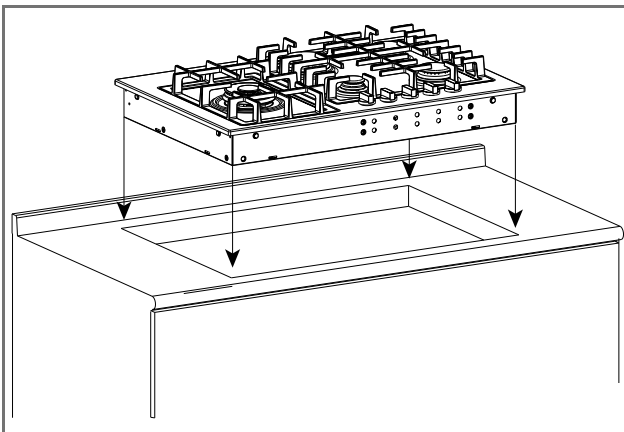


Figure 8.

**Step 4**

Four clamp brackets are provided with your unit.

After cooktop has been installed into the countertop, install the brackets on the burner box as shown in figure 9.

Install the clamp brackets on the front and back of the burner box bottom (if the cabinet construction does not provide clearance for installing brackets at the

burner box front back install the clamp brackets on the lateral position of burner box).

**step A** place the clamping screws into brackets

**step B** attach brackets by using the attachment screws on the selected location of burner box, tighten screws just enough to hold brackets in place

**step C** position brackets so that they are with the clamp screw in contact with the counter top bottom

**step D** tighten attachment screws securely.

**step E** check that the front edge of the cooktop is parallel to the front edge of the countertop tighten the screw clamping against the countertop.

**DO NOT OVER TIGHTEN**

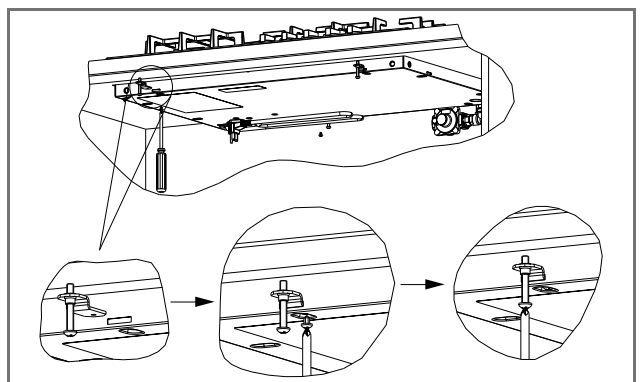


Figure 9.

## Gas Requirement

### A QUALIFIED SERVICE MAN OR GAS APPLIANCE INSTALLER MUST MAKE THE GAS SUPPLY CONNECTION.

Leak testing of the appliance shall be conducted by the installer according to the instructions given.



### WARNING

If the line pressure supplying the appliance pressure regulator exceeds 14 inches W.C. (any gas), an external regulator must be installed in the gas line ahead of the appliance regulator to reduce the pressure to no more than 14 inches W.C. Failure to do this can result in malfunction and damage to the appliance.

### Important Notes for Gas Connection

The appliance and its individual gas shutoff valve must be disconnected from the gas supply piping system during any pressure testing of that system at test pressures in excess of 1/2 psi (3.5 kPa).

The appliance must be isolated from the gas supply piping system by closing its individual manual shut-off valve during any pressure testing of the gas supply piping system at test pressures equal to or less than 1/2 psi (3.5 kPa).

All supply piping, except as noted, should use common National Pipe Thread (N.P.T.). For all pipe connections use an approved pipe joint compound resistant to the action of LP gas.

This appliance is designed for use with NG gas or LP gas.

The gas pressure regulator is supplied with this appliance. It must be installed in the gas way ahead of the manifold entrance. It is pre-set for use with natural gas. To use it with different gas it must be converted, as described in the Gas conversion paragraph (see figure 17 and 18).

If at any time the appliance is to be used with a different type of gas, all the conversion adjustments must be made by a qualified technician before attempting to operate the cooktop on that gas.

The gas should be supplied to the appliances pressure regulator, at line pressure between 6 and 14 inches of water column for NG, and between 11 and 14 inches of water column for LP.

### Important:

- **NEVER REUSE OLD CONNECTORS WHEN INSTALLING THIS COOKTOP.**

To reduce the likelihood of gas leaks, apply teflon tape or a thread compound approved for use with LP or Natural gases to all threaded connections. Apply a non-corrosive leak detection fluid to all joints and fittings in the gas connection between the supply line shut-off valve and the cooktop inlet.

Check for leaks!

Bubbles appearing around fittings and connections will indicate a leak. If a leak appears, turn off supply line gas shut-off valve, tighten connections, turn on the supply line gas shutoff valve, and re-test for leaks. Never test for gas leaks with an open flame.

- **NEVER TIGHTEN TO MORE THAN 35 ft lbs OF TORQUE.**

### Gas Connection

- Thread the appliances pressure regulator with 1/2" male end connection both supplied with this appliance.
- Make the gas connection to the inlet of the pressure regulator with 1/2" male pipe threads.
- Join the pressure regulator to the entrance threads of the Gas Manifold with gasket supplied with this appliance. The regulator is marked with a directional arrow indicating correct direction of gas flow. Ensure the appliance regulator is installed with the arrow pointing toward the gas manifold entrance and make sure the top of the regulator is facing towards the cabinet front, easily accessible through the cabinet doors.
- Connect a manual shut-off valve to the gas supply in an accessible location for turning on or shutting off gas to the appliance.
- Install a coupling between the regulator and the shutoff valve to complete the connection.
- Assure all pipe joint connections are gas tight.
- Check alignment of valves after connecting the cooktop to the gas supply to be sure the manifold pipe has not been moved.

A misalignment could cause the valve knob stem to rub on the control panel, resulting in a gas leak at the valve.

If an oven is to be installed below this appliance connect gas supply line as shown in figure 10 consider the below cabinet clearance.

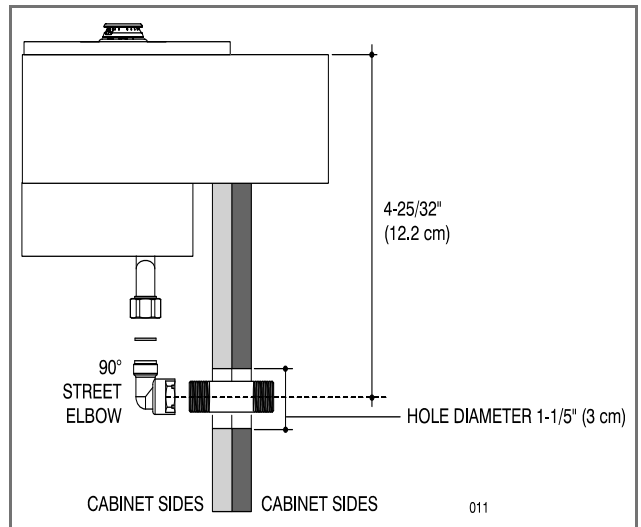


Figure 10.

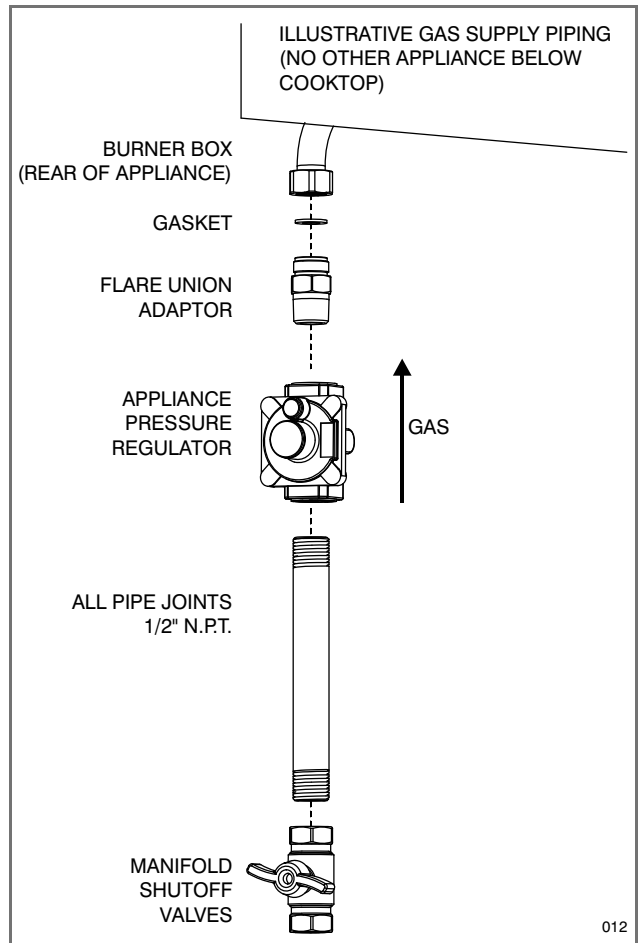


Figure 11.

**FOR ALTERNATIVE PIPING METHODS TO CONNECT THE APPLIANCE TO THE GAS SUPPLY, A TRAINED SERVICE MAN OR GAS APPLIANCE INSTALLER MUST MAKE THE GAS SUPPLY CONNECTION. Leak testing of the appliance shall be conducted by the installer according to the instructions given.**

Unless prohibited by local codes or ordinances, a new A.G.A. - Certified, flexible metal appliance connector may be used to connect this appliance to its gas supply. The connector must have an internal diameter not less than nominal 1/2" NPT pipe and be no more than 5 feet in length. A 1/2" NPT x 1/2" flare union adaptor is required at each end of the flexible connector. If a flexible connector is used assure that both the appliance pressure regulator and manual shut-off valve are joined solidly to other permanent hard piping (either gas supply or the appliance manifold) so as to be physically stationary. See figure 12.

**CAUTION**

Do not attempt to attach the flexible connector directly to an external pipe thread. Connection requires flare union adaptors.

For Massachusetts Installations:

1. Shut-off valve must be a "T" handle gas cock.
2. Flexible gas connector must not be longer than 36 inch.
3. Not approved for installation in a bedroom or a bathroom unless unit is direct vent.

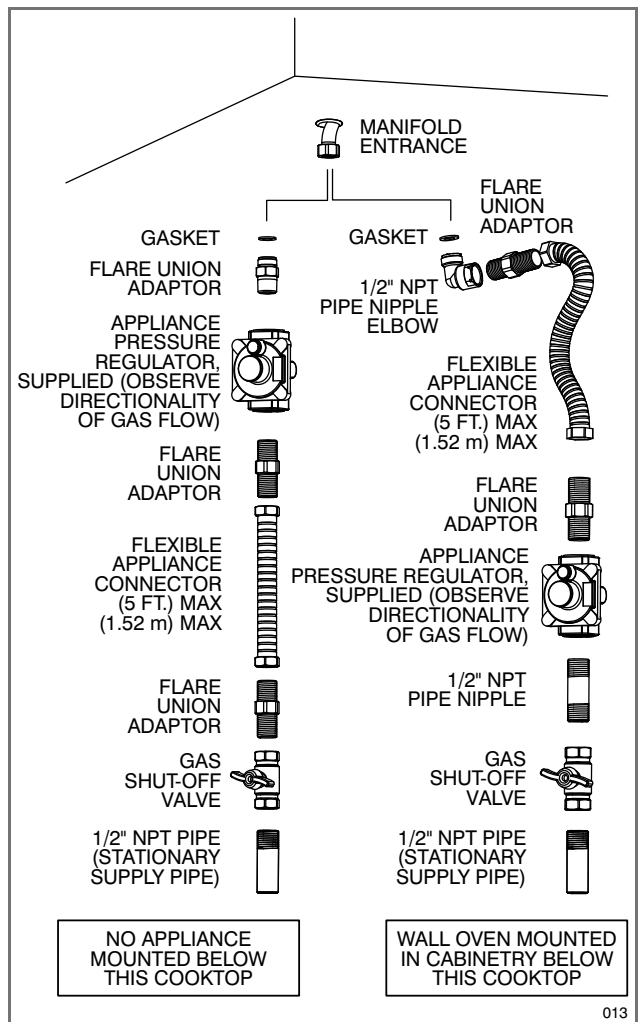


Figure 12.



### Pressure Testing

The appliance must be isolated from the gas supply piping system by closing its individual manual shut-off valve during any pressure testing of the gas supply piping system at test pressures equal to or less than 1/2 PSIG (3.5 kPa).

This appliance, as well as its individual shut-off valve, must be disconnected from the gas supply piping system during any pressure testing of the system at test pressures in excess of 1/2 PSIG (3.5 kPa).

When checking appliance regulator function, make certain pressure of natural gas supply is between 6 and 14 inches of water column or, if converted for LP gas, between 11 and 14 inches.

THE PRESSURE TESTING SHOULD BE PERFORMED BY MEANS OF THE INJECTOR THREAD ZONE

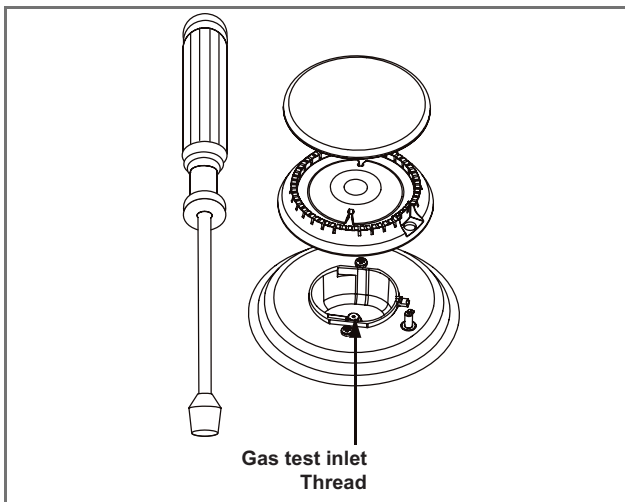


Figure 13.

### Pressure Test Method

- Remove grate and burner cap
- Remove aluminum gas spreader
- Temporarily remove the injectors
- Connect the pressure Test instrument into injector holder thread zone (M6x0,75)
- Check if the cooktop has the correct pressure
- Fix the injector removed for testing and replace the parts in the right position.

**Electrical Requirements**

**General Information**

This appliance must be supplied with the proper voltage and frequency and connected to an individual, properly grounded branch circuit, protected by a circuit breaker or fuse having amperage as noted on the rating plate. We recommend you have the electrical wiring and hookup of your cooktop connected by a qualified electrician.

After installation, have the electrician show you where your main cooktop disconnect is located. Check with your local utilities for electrical codes which apply in your area. Failure to wire your cooktop according to governing codes could result in a hazardous condition.

If there are no codes, your cooktop must be wired and fused to meet the requirements of the National Electrical Code, ANSI/NFPA No. 70 - Latest edition. You can get a copy by writing:

National Fire Protection Association  
 Battery march Park  
 Quincy, MA 02269

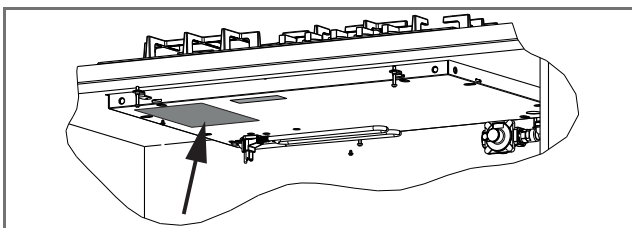
In Canada your cooktop must be wired and fused to meet the requirements of the Canadian Electrical Code.

Be sure the installation of this product in a mobile home conforms with the Manufactured Home Construction and Safety Standard, Title 24 CFR, Part 3280.

If this standard does not apply, you must follow the standard for Manufactured Home Installations, ANSI A225.1 and Manufactured Home Installations, Sites and Communities and ANSI/NFPA 501A or with local codes.

You can get a copy of the Federal Standard by Writing:

Office of Mobile Home Standards  
 HUD Building  
 451 7th Street, S.W.  
 Washington, D.C. 24010




**Figure 13a. Location of rating plate**

**Electrical Connection**

An adequate electrical supply and outlet must be used to operate the cooktop.

**⚠ WARNING**

**Electrical Grounding Instruction**  
 Plug into a grounded 3 prong outlet. Do not remove ground prong. Do not use an adapter. Do not use an extension cord. Failure to follow these instructions can result in death, fire, or electrical shock.



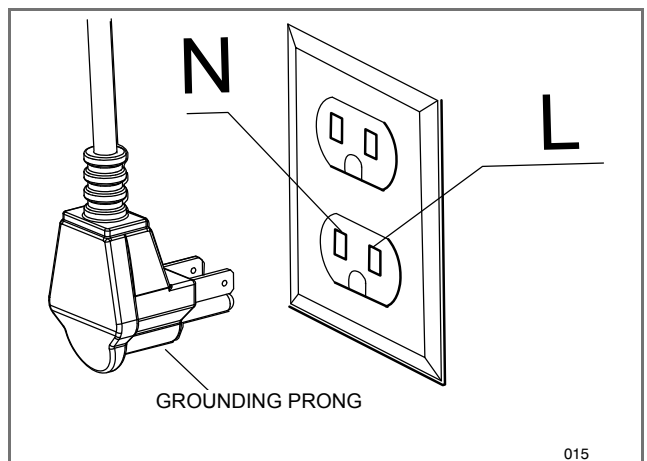
**Important:**

**FOR PERSONAL SAFETY, THIS APPLIANCE MUST BE PROPERLY GROUNDED.**

The power cord of this appliance is equipped with a 3-prong (grounding) plug which must be used with a properly grounded 3-hole outlet with a standard 120 Volt, 60 cycle AC household current. If you do not have a 3-hole grounded outlet, have a qualified electrician change your old one. A grounding adaptor will be needed to convert the old one until the outlet can be replaced. This method is only temporary, and a qualified electrician should test it to be sure it meets requirements.

**Electrical Requirements**

**Do not under any circumstances cut or remove grounding prong from the cooktop cord.**



**Figure 14.**

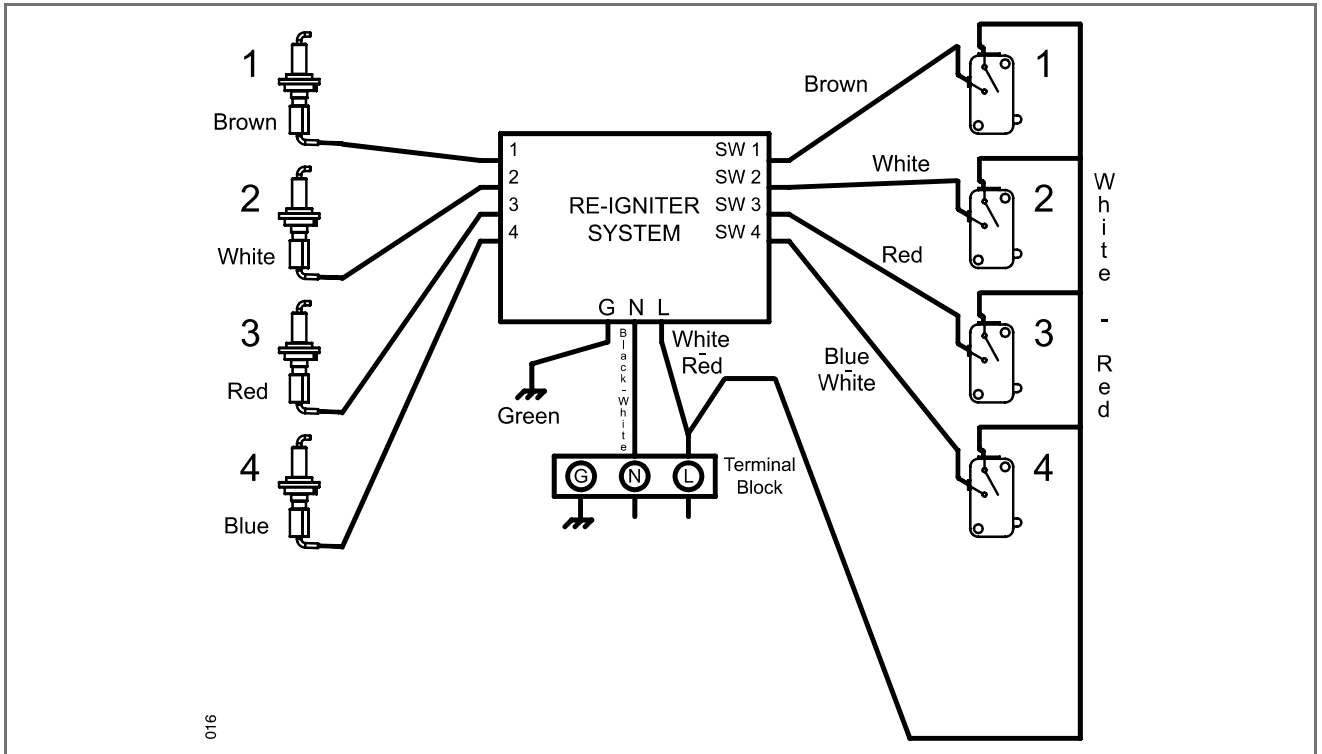


Figure 15. Wiring diagram (4 zones)

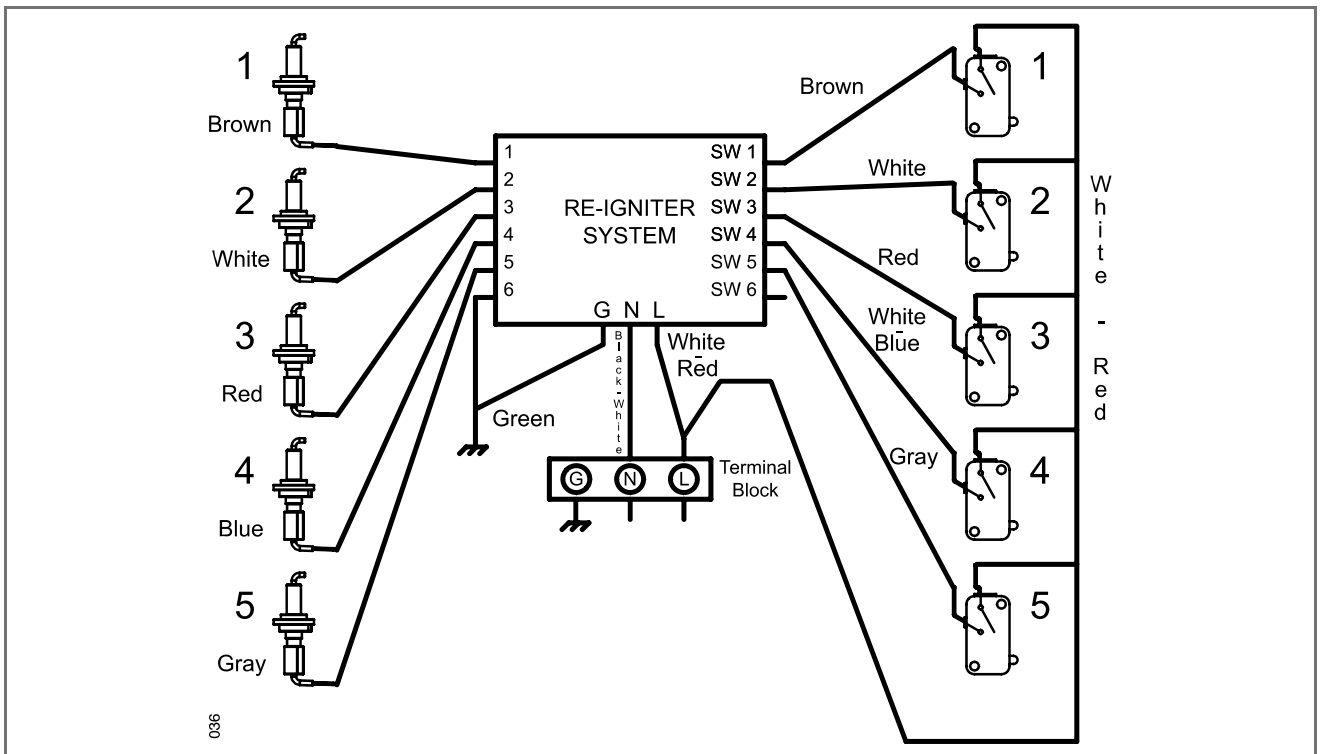


Figure 16. Wiring diagram (5 zones)

## Conversion for LP or NG Gas

### Converting Appliance for Use with LP Gas



#### WARNING

Conversion is to be performed by a **AUTHORIZED SERVICER** (or other qualified agency) in accordance with the manufacturer's instructions and all codes and requirements of the authority having jurisdiction. Failure to follow instructions could result in serious injury or property damage. The qualified agency performing this work assumes responsibility for this conversion.



#### WARNING

**Electrical power and gas must be turned off prior to conversion.**

If this appliance should be converted for use with gas LP (propane or butane), each of the following modification must be performed:

#### *Replace injector on (one ring flame burners)*

1. Remove the grates and burner cups.
2. Remove aluminum gas spreader.
3. Loosen injector by turning 9-32" nut driver counter clockwise.
4. Install the injectors supplied with this appliances in the appropriate burner. The injectors have small number stamped on the side, this number codes the orifice diameter and its correct burner location (see figure on page 18).
5. Turn clockwise to tighten (tighten to a torque of 15 to 20 inch-lbs).
6. Replace all parts following the reverse order.
7. **Save the orifices removed from the appliance for future use.**

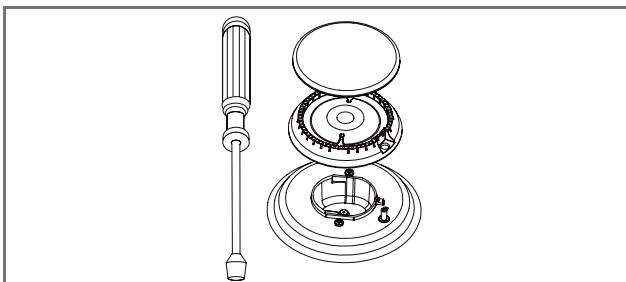


Figure 17.

#### *Replace injectors on (two rings flame burner)*

1. Remove the grates and burner cups.
2. Remove aluminium gas spreader.
3. Remove the three screws of simmer gas spreader (1).
4. Remove the two screws of injector cover (2).
5. Loosen injector (A) by turning 9-32" nut driver counter clockwise.
6. Loosen injector (B) by turning 9-32" box wrench counter clockwise.
7. Install the injectors supplied with this appliances in the appropriate burner. The injectors have small number stamped on the side, this number codes the orifice diameter and its correct burner location (see figure of the paragraph "Injectors position").
8. Turn clockwise to tighten (tighten to a torque of 15 to 20 inch-lbs).
9. Replace all parts following the reverse order.
10. **Save the injectors removed from the appliances for future use.**

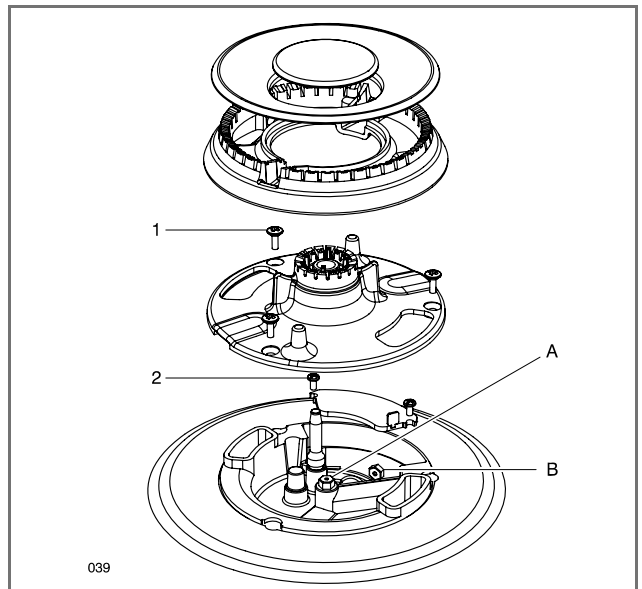


Figure 18.

After injectors replacement adjust the burner flame (see Low Flame Adjustment paragraph). Check the appearance of each burner's flame at HI-LO settings, if the flame appear too large or too small make sure that all steps were completed correctly.

**Convert the pressure regulator on LP position following the illustration 20.**

### Converting Appliances for Use with NG Gas

If this appliance should be converted for use with gas NG (natural gas), each of the following modifications must be performed.

1. Replace all injectors following the step described on page 18, observe the number stamped on the side, this number codes the orifice diameter and its correct burner location (following the illustration of injectors position).
2. Convert the pressure regulator on LP position (following the illustration of pressure regulator conversion).
3. Adjust the burner flame (see Low Flame Adjustment paragraph).

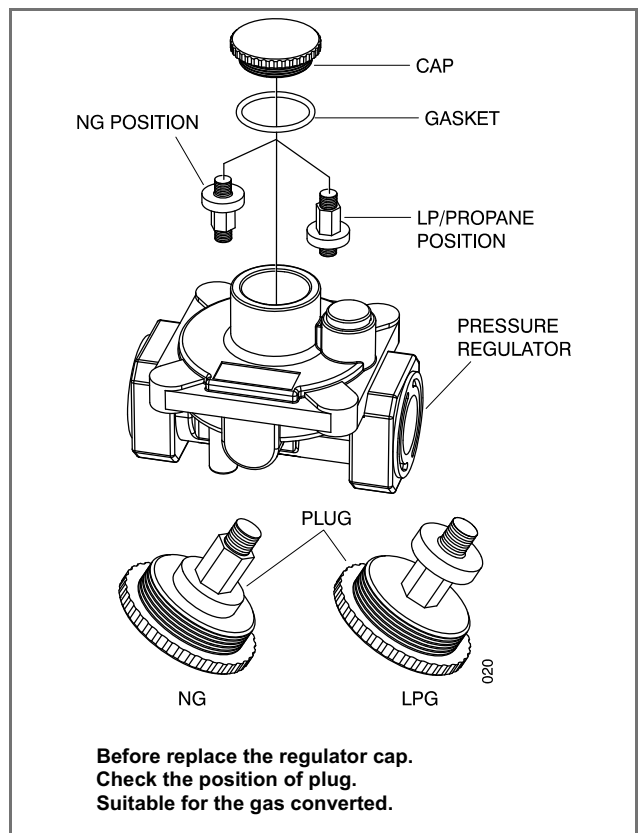
Check the appearance of each burner's flame at HI-LO settings, if the flame appears too large or too small make sure that all steps were completed correctly.

### Pressure regulator conversion

The appliances is designed for use with NG gas or LP gas. The gas pressure regulator is supplied. It must be installed in the gas way ahead of manifold entrance. It is pre-set for use with the gas supplied with the appliances. For use with different gas must be converted.

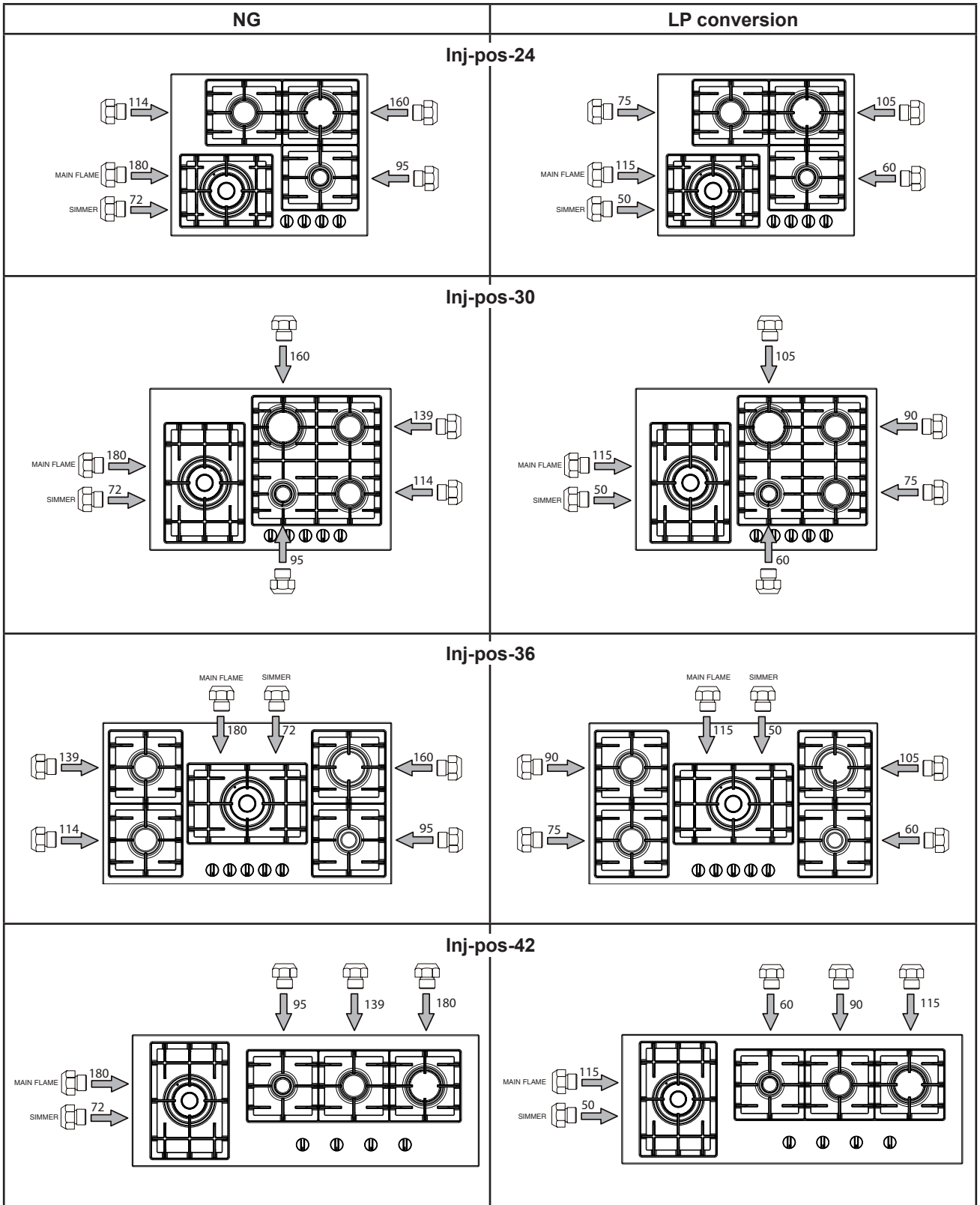
**For the pressure regulator conversion following the below instructions:**

- Disconnect all electrical power, at the main circuit breaker or fuse box.
- Shut off the gas supply to the cooktop by closing the manual shut-off valve.
- Adjust the pressure regulator, by following the instruction (see figure)
  1. Unscrew the regulator cap
  2. Unscrew the plastic conversion plug from the cap turn over and screw back (wide section away from cap for LP and against cap for NG) see figures below.
  3. Replace the cap regulator.



**Figure 20. Pressure regulator conversion**

*Injectors position*



## Low Flame Adjustment



### DANGER

Lighting gas burners with a match is dangerous. You should match light the cooktop burners only in an emergency.

Light a match and hold the flame near the burner you want to light. Wooden matches work best. Push in and turn the control knob slowly. Be sure you are turning the correct knob for the burner you are lighting.

### NOTE:

If the burner does not light within five seconds, turn the knob off and wait one minute before trying again.



### WARNING

If you attempt to measure the inner cone of the flame, please use caution. Burns could result.

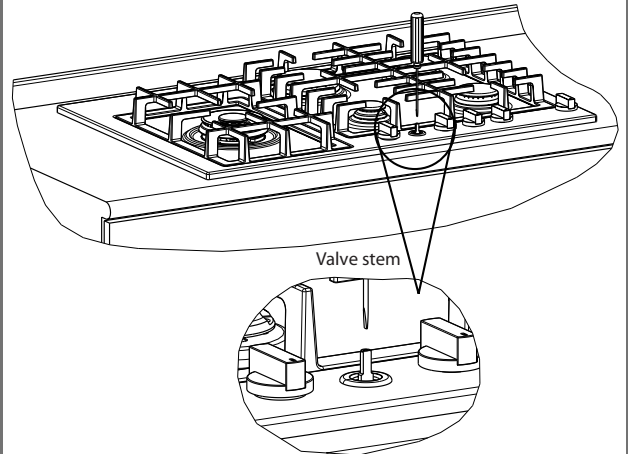
This appliance is shipped from the factory with low and medium flame settings adjusted.

If further adjustment is necessary, proceed as follows:

### Adjustment for Burners with one or two rings flame:

1. Light burner and set control knob for low flame.
2. Remove control knob from valve stem.
3. Insert a slender, thin-blade screwdriver into the recess at centre of valve stem and engage blade with slot in adjusting screw.
4. Turn center stem adjusting screw to set flame size:
  - clockwise to reduce
  - counterclockwise to increase
5. Replace control knob when adjustment is completed.

### ONE OR TWO RINGS FLAME



- Counterclockwise to increase flame size

- Clockwise to reduce flame size

**Figure 21. Low flame adjustment**

Proper adjustment will produce a stable, steady blue flame of minimum size.

The final adjustment should be checked by turning knob from high to low several times without extinguishing the flame.

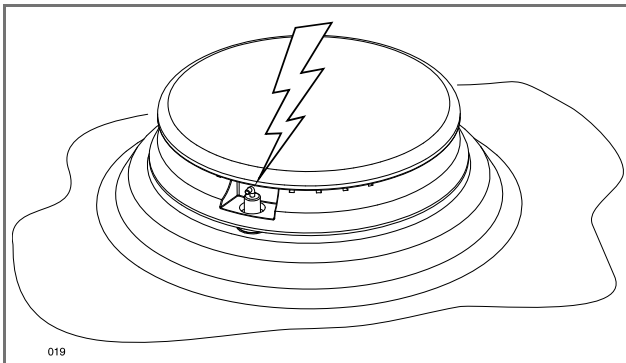
This adjustment, at low setting, will automatically provide the proper flame size at medium setting. After Conversion steps have been completed, check the appearance of each burner's flame at the HI and LO settings, if the flames appear too large or too small review each step to make sure it was completed correctly.

**NOTE:**

To obtain the correct minimum setting with LP gas, turn clockwise tightening the valve fully by the thin-blade screwdriver into the recess at centre of valve stem.

**Electric gas ignition**

The gas burner use an electric ignition device located near each burner that by means a spark igniters ensure its surface light automatically.

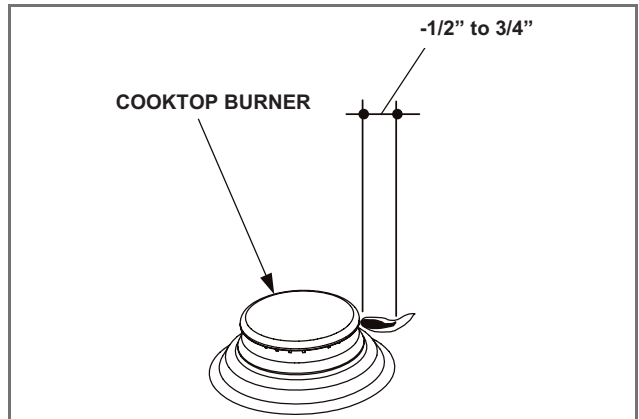


**Figure 22. Electric ignition**

See Use & Care manual for better explanation and its control.

**The Burner Flames**

Turn each burner on. Flames should be blue in color with no trace of yellow. The burner flames should not flutter or blow away from the burner. The inner cone of the flame should be between 1/2" and 3/4" long.



**Figure 23. Burner flames**



**Tables des matieres**

	Page
<b>Avertissement Spéciaux</b> .....	<b>22</b>
<b>Dimensions et Dispositions pour la Découpe</b> .....	<b>23</b>
<i>Suggestions Importantes de Préparation</i> .....	23
<i>Installation autocaravane</i> .....	25
<b>Installation de la Table de Cuisson</b> .....	<b>26</b>
<b>Conditions Requiés Gaz</b> .....	<b>28</b>
<i>Raccordement du Gaz</i> .....	29
<i>Vérification de la Pression</i> .....	31
<b>Conditions Requiés Electricité</b> .....	<b>32</b>
<i>Information Général</i> .....	32
<i>Branchement Electrique</i> .....	32
<i>Requiés Electricité</i> .....	32
<b>Conversion Gaz PL ou Gaz Naturel</b> .....	<b>34</b>
<i>Conversion de l'Appareil pour Fonctionner au Gaz PL</i> .....	34
<i>Conversion des Appareils pour Une Utilisation avec Gaz Naturel</i> .....	35
<i>Réglage Petite Flamme</i> .....	37
<i>Allumage à gaz électrique</i> .....	38

**IMPORTANT:** Gardez ces instructions pour une utilisation d'inspection électrique locale  
**INSTALLATEUR:** Veuillez laisser ce manuel au propriétaire pour de futures références.  
**PROPRIETAIRE:** Veuillez garder ce manuel pour de futures références.

**Veillez prêter attention à ces symboles que vous rencontrerez dans ce manuel.**


**DANGER**

Si vous ne suivez pas IMMEDIATEMENT ces instructions, vous courez le risque de mourir ou d'être sérieusement blessé.


**AVERTISSEMENT**

- Ce symbole signifie que la sécurité est en danger. Il signale les risques potentiels qui peuvent entraîner la mort ou des blessures à l'opérateur ou aux autres.
- Si vous ne suivez pas ces instructions à la lettre, vous courez le risque de mourir ou d'être sérieusement blessé.

**BIEN LIRE CES INSTRUCTIONS ET LES CONSERVER.**

**À l'installateur:**

Laissez ces instructions avec l'appareil.

**Au client:**

Gardez ces instructions comme référence future.


**AVERTISSEMENT**

- La non-observation des instructions contenues dans ce manuel peut entraîner la mort ou des blessures sérieuses du fait d'un incendie ou d'une explosion.
- Ne pas stocker ou utiliser de l'essence ou d'autres liquides inflammables à proximité de cet appareil ou de tout autre appareil électroménager.

**IMPORTANT****Avertissement Spéciaux**

**Veillez lire les instructions avant toute utilisation.**

Il est de votre responsabilité d'installer l'appareil correctement. Confiez l'installation de cette table de cuisson à un technicien qualifié.

**Important:**

- Respecter les règlements et ordonnances en vigueur.
- Avant d'installer la table de cuisson, veuillez noter les numéros de modèle et de série. Ces deux numéros se trouvent sur la plaquette signalétique située en dessous de la caisse de la table de cuisson.

**Avant de Procéder à l'Installation**

- Vérifiez l'endroit où la table de cuisson sera installée. La table de cuisson ne doit pas se trouver dans une zone de courants d'air forts, par exemple de fenêtres ou de portes ni près de calorifères ou de ventilateurs.
- L'appareil doit nécessairement être relié à la terre. Voir «Conditions requises électricité».
- Veuillez vous assurer que l'installation électrique est adéquate et conforme à la Réglementation Électrique Nationale ANSI/NFPA 70 – dernière édition\*\* ou à la Réglementation Électrique du Canada, C22.1 – 1982 et C22.2 N° 01982 (ou dernière édition)\*\*\* et à tous les règlements et ordonnances en vigueur localement.
- Assurez-vous que le raccordement de gaz est conforme aux règlements et ordonnances en vigueur localement. En l'absence de règlements locaux, l'installation doit être conforme au Standard National Américain, à la Réglementation Nationale Essence Gaz ANSI Z223.1 – NFPA 54 dernière édition\*\* ou CAN/CGA-149.2 dernière édition\*\*\*.

Vous pouvez demander une copie des standards répertoriés à :

\*\* National Fire Protection Association One Batterymarch Park  
Quincy, Massachusetts 02269

\*\*\* CSA International 8501 East Pleasant Valley Rd. Cleveland,  
OH 44131 – 5575

**NOTE:**

Cette table de cuisson est fabriquée pour fonctionner au gaz naturel\*.

Si elle doit être raccordée au gaz propane/PL, effectuez la conversion en suivant les instructions rapportées dans le kit de conversion gaz fourni avec les explications. Une canalisation de fourniture de gaz correcte doit être disponible. Voir «Conditions requises fourniture gaz».

**Que faire si vous sentez une odeur de gaz**

- N'allumez aucun appareil électroménager.
- Ne touchez à aucun interrupteur électrique.
- N'utilisez aucun téléphone de la maison.
- Appelez immédiatement votre fournisseur de gaz à partir du téléphone d'un voisin. Suivez ses instructions.
- Si vous n'arrivez pas à joindre votre fournisseur de gaz, appelez les pompiers.
- L'installation et l'entretien doivent être effectués par un installateur qualifié, un service technique ou par le fournisseur de gaz.

**Installation de la Table de Cuisson Au-Dessus du Four**

Seuls certains modèles de tables de cuisson et de four peuvent être installés l'un au-dessus de l'autre. Les tables de cuisson agréées pour ce type d'installation ont une étiquette d'homologation située sur l'extérieur de la caisse du brûleur.

Au cas où vous ne trouveriez pas cette étiquette, veuillez contacter votre distributeur afin qu'il vous confirme que votre table de cuisson fait bien partie des appareils agréés.

Vous pourrez lire sur l'étiquette en dessous de votre table de cuisson, les combinaisons possibles de table de cuisson et four qui sont agréées pour ce type d'installation.

## Dimensions et Dispositions pour la Découpe

### Suggestions Importantes de Préparation

1. Biseautez tous les bords exposés du contre-plaqué décoratif pour empêcher qu'ils ne s'écaillent.
2. Arrondissez les quatre coins de la découpe et limez le pourtour pour que les bords soient lisses et que les coins ne se fissurent pas. Utilisez une mèche de 1/4" ou 3/8" pour percer les trous à chaque angle.
3. Si les bords ne sont pas lisses, l'intérieur des coins n'est pas arrondi et l'encastrement a été forcé, il est possible que le contre-plaqué du plan de travail se fendille.

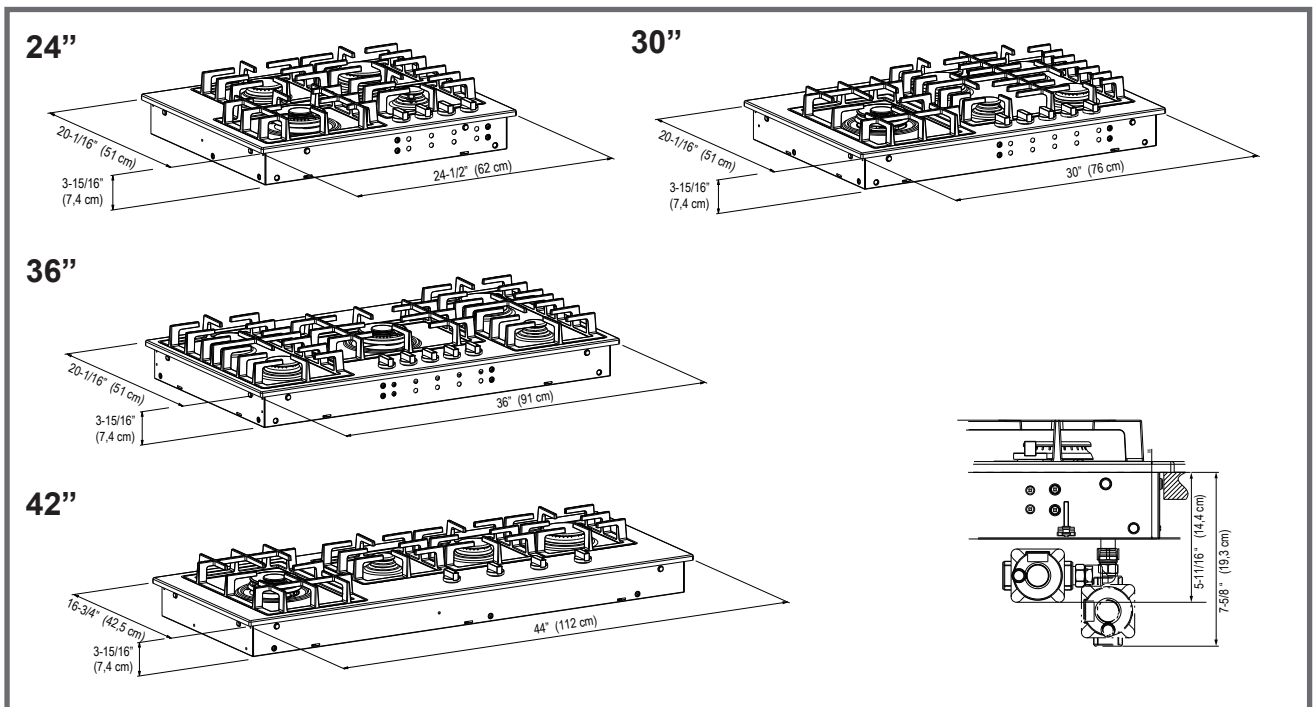


Figure 1. Dimensions du produit

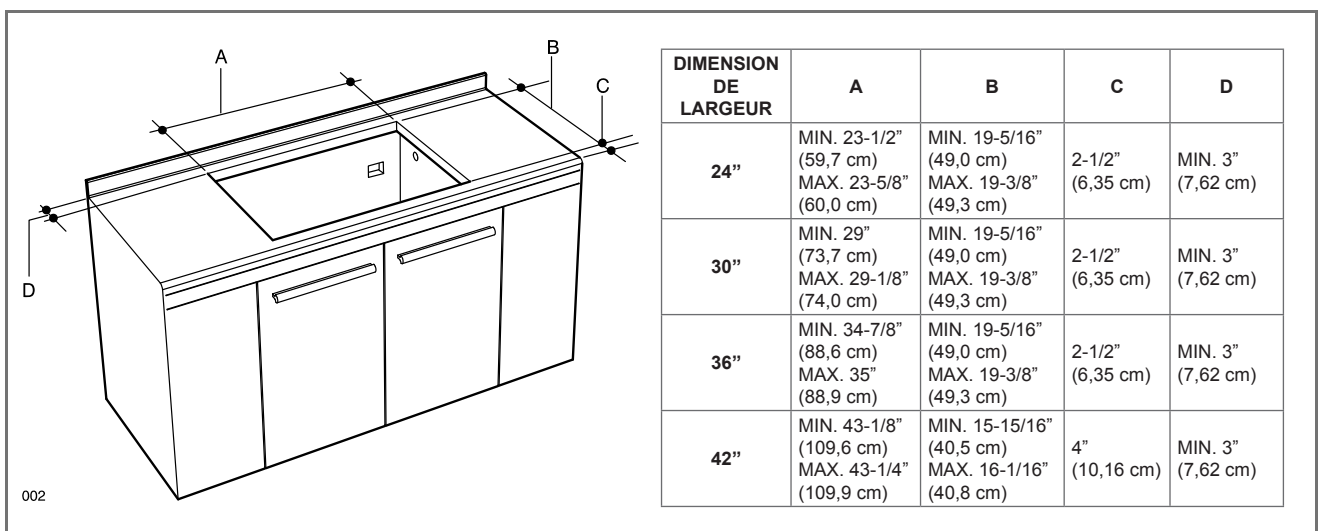
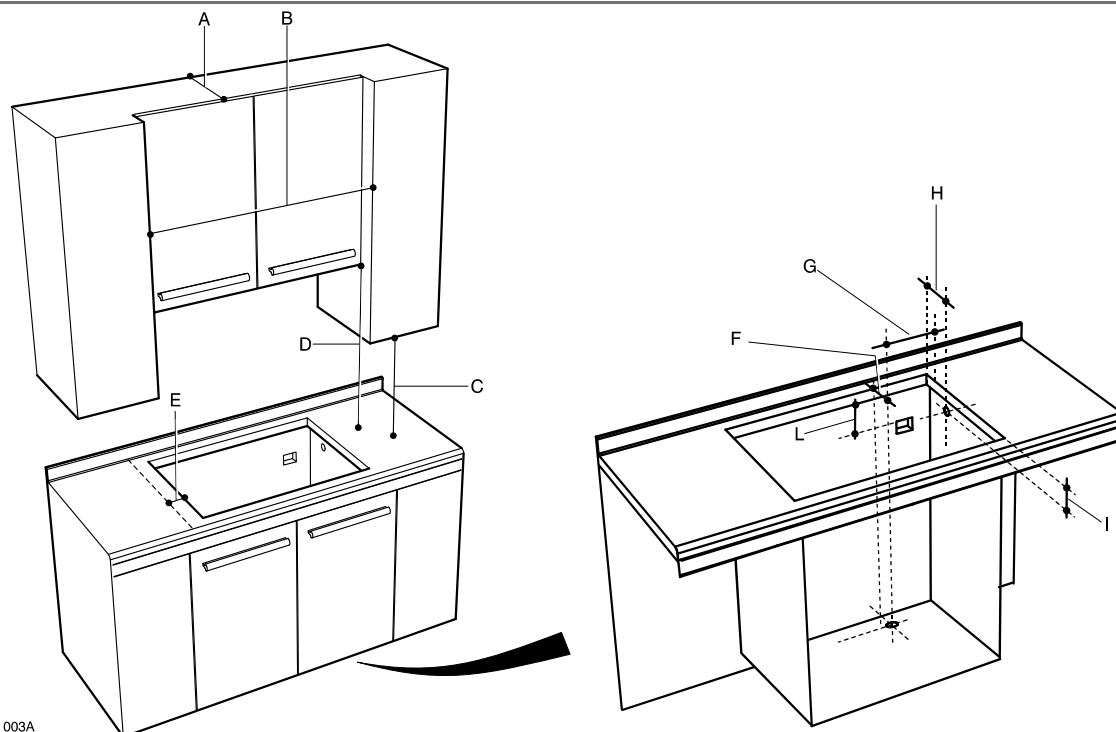


Figure 2. Dimensions pour la découpe



003A

- A 13" (33 cm) Profondeur des éléments suspendus non-protégés.
- B 24" (61.0 cm) MIN. (Model 24").  
 30" (76.2 cm) MIN. (Model 30").  
 36" (91.4 cm) MIN. (Model 36").  
 42" (106.7 cm) MIN. (Model 42").
- C 18" (47,7 cm) MIN. Hauteur entre le haut du plan de travail et le meuble le plus proche de chaque côté de l'unité.
- D 30" (76,2 cm) MIN. (voir Note\*) Espace entre plan de travail et surface en des-sus non protégée.
- E 5" (12,7 cm) MIN. Espace entre la découpe et la paroi latérale à droite et à gauche de l'unité.
- F A partir de l'angle arrière de la découpe 2-9/32" (5,8 cm).
- G De l'angle arrière droit de la découpe 2-19/32" (6,6 cm).
- H Ouverture pour gaz dans l'installation de la table de cuis-son au-dessus du four encastrable 2-9/32" (5,8 cm) de l'angle arrière de la découpe jusqu'au trou.
- I Du haut du plan de travail jusqu'au trou 4-25/32"(12,2 cm).
- L Sortie électrique 12" (30,5 cm) sous le bas du plan de travail.
- **Diamètre du trou 1-1/5" (3 cm).**

**\* NOTE:**

- Si le meuble a un tiroir, veuillez laisser un espace de 5-1/4" (13,35 cm) de profondeur entre le haut du plan de travail et le haut du tiroir (ou d'une autre obstruction) du meuble de base. Il sera peut-être nécessaire de réduire la profondeur du tiroir pour laisser la place au régulateur.
- Il faut 24" (61 cm) minimum d'espace si le fond en bois ou métal du meuble est protégé en ne laissant pas moins de 1/4" (0,6 cm) de carton pâte retardateur de flamme couvert d'au moins une feuille d'acier inoxydable n° 28 MSG de 0,015" (0,004 cm) ou d'aluminium de 0,024" (0,06 cm) ou de cuivre 0,020" (0,05 cm). Il faut 30" (76,2 cm) minimum d'espace entre le haut de la plate-forme de cuisson et le bas du meuble en bois ou métal non protégé.

**Figure 3. Dispositions pour la découpe**

Nous vous recommandons de considérer la dimension minimum de mesure de découpe dans le cas d'une nouvelle installation.



### AVERTISSEMENT

L'appareil ne doit pas être installé avec un système de ventilation soufflant de l'air vers le bas en direction du rayon. Ce type de système de ventilation pourrait causer des problèmes d'allumage et de combustion avec l'appareil de cuisson et provoquer des blessures personnelles ou un fonctionnement involontaire.

### Installation autocaravane

L'installation de cette table de cuisson doit être conforme aux Normes de Construction et de Sécurité des Habitations, titre 24 CFR, Partie 3280 (jadis la Norme Fédérale pour la Construction et la Sécurité des Autocaravanes; titre 24HUD partie 280); ou lorsque de telles normes ne sont pas applicables, la Norme pour les Installations des Habitations (Emplacements, Communautés et Structures Habitations), ANSI 225.1 - dernière édition ou aux réglementations locales.

Au Canada, l'installation de cette table de cuisson doit être conforme aux normes en vigueur CAN/CSA-Z240 - dernière édition ou aux réglementations locales.

### Important:

- Si le plan de travail est fait d'un matériau solide comme Surel® et Corian®, consultez le fabricant de surface solide. Appliquez du ruban adhésif réfléchissant la chaleur comme Scotch®, scotch feuille aluminium #425 ou #427 tout autour de la découpe de sorte qu'il déborde et se replie sur le dessus et les côtés.
- **NE PAS FAIRE PASSER LE RUBAN ADHÉSIF EN DESSOUS DE LA TABLE DE CUISSON**
- Bien vérifier que le ruban adhésif va au-delà du rebord le plus externe de la table de cuisson. Tous les angles doivent être recouverts par du ruban adhésif.

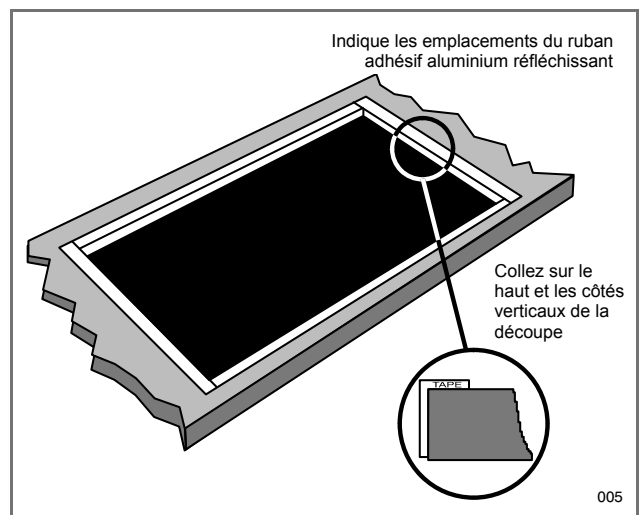


Figure 4. Installation sur un plan de travail à surface solide

*Installation de la Table de Cuisson*



**AVERTISSEMENT**

- **Risque du fait du poids excessif**  
Soyez à deux personnes ou plus pour porter et installer la table de cuisson. Sinon, vous risquez de vous blesser au dos ou de subir d'autres blessures.
- **Risque de coupure**  
Méfiez-vous des bords tranchants et des extrémités du polystyrène lorsque vous portez le produit. Sinon, vous risquez de vous couper ou de vous faire légèrement mal.

- Toujours consulter le fabricant du plan de travail pour les instructions spécifiques.
- Bien vérifier que le plan de travail est carré et à niveau et assurez-vous qu'aucun élément de structure n'interfère avec les exigences d'espace.
- Préparez la découpe selon les instructions (voir dimensions découpe).
- Bien vérifier que les éléments suspendus, le plan de travail et les meubles autour de la table de cuisson résistent à la chaleur (jusqu'à 200°F).

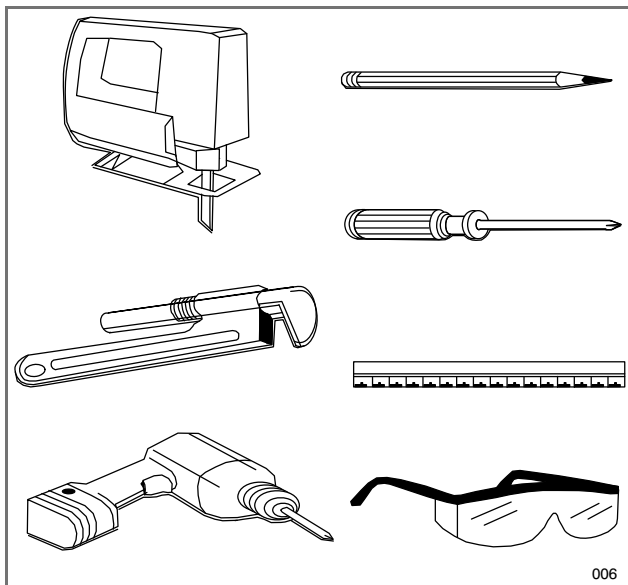


Figure 5. Les outils dont vous aurez besoin

**Étape 1**

Avant de commencer l'installation, enlevez les matériaux d'emballage et les manuels d'explication sur la table de cuisson; puis retirez du manuel d'explication, les instructions concernant l'installation et lisez-les avec attention.

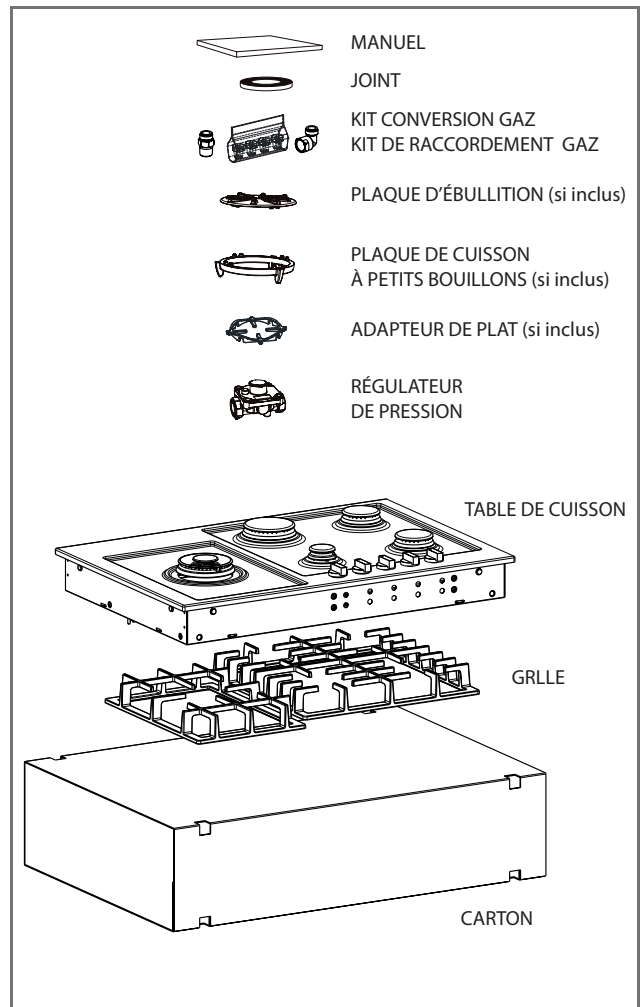


Figure 6. Pièces

**Étape 2**

Avant de procéder à l'installation, appliquez le ruban adhésif de mousse. Le ruban adhésif fourni doit assurer l'étanchéité entre les bords de la table de cuisson et le plan de travail. Appliquez le ruban adhésif vers l'intérieur, sous le bord de la table de cuisson et tout autour de son périmètre. Coupez le ruban adhésif en trop lorsque vous avez rejoint le début du ruban collé.

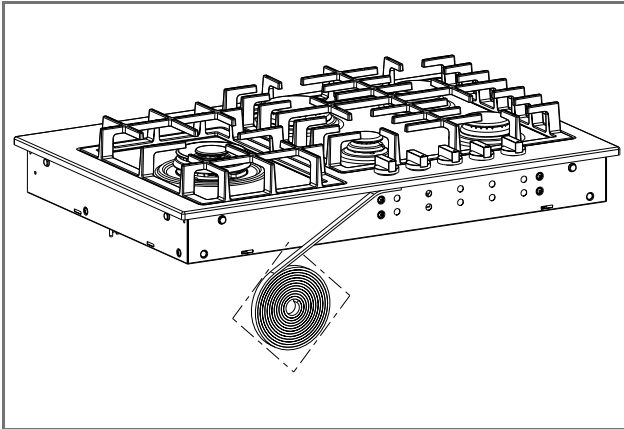


Figure 7.

**Étape 3**

Introduisez la table de cuisson, bien centrée, à l'intérieur de la découpe pratiquée. Vous assurez que le bord antérieur du plan de travail est bien parallèle à la table de cuisson. Procédez aux dernières vérifications pour être sûr que tous les écartements nécessaires ont été prévus.

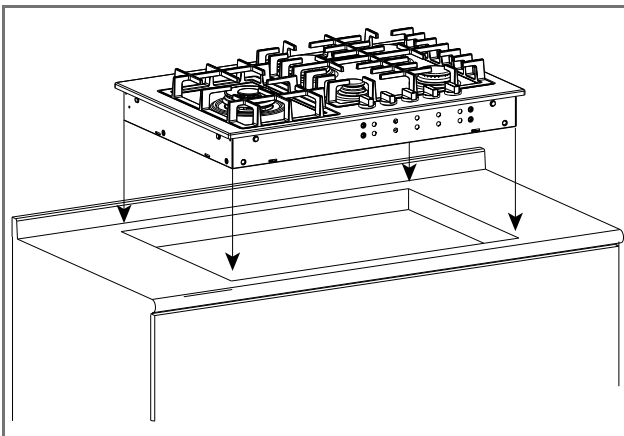


Figure 8.

**Étape 4**

4 étriers de fixation sont fournis avec l'unité. Une fois la table de cuisson encastrée dans le plan de travail, fixez les étriers sur la caisse du brûleur comme indiqué sur la figure 9.

Installez les étriers de fixation sur l'avant et l'arrière du dessous de la caisse du brûleur (au cas où le meuble sous le plan de travail n'aurait pas l'espace nécessaire pour fixer les étriers de la sorte, fixez les étriers sur le côté de la caisse du brûleur).

**Étape A:** placez les vis de fixation dans les étriers.

**Étape B:** attachez les étriers par des vis de fixation aux endroits choisis sur la boîte du brûleur, serrez les vis juste assez pour tenir en place les étriers.

**Étape C:** positionnez les étriers et les vis de fixation de sorte qu'ils soient au contact du bas du plan de travail.

**Étape D:** bien serrer les vis de fixation.

**Étape E:** vérifiez que le bord antérieur de la table de cuisson est bien parallèle au bord du plan de travail, serrez la vis de fixation contre le plan de travail.

**BIEN SERRER MAIS PAS TROP FORT**

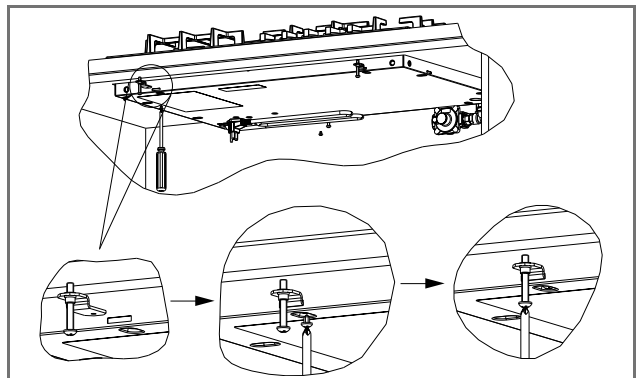


Figure 9.



## Conditions Requières Gaz

### LE RACCORDEMENT À LA CONDUITE DE GAZ DOIT ÊTRE EFFECTUÉ PAR UN TECHNICIEN D'ENTRETIEN QUALIFIÉ OU UN INSTALLATEUR DE GAZ

La vérification de fuites de l'appareil doit être effectuée par l'installateur selon les instructions données.



### AVERTISSEMENT

Si la conduite fournissant le régulateur de pression de l'appareil a une pression de plus de 14 pouces C.E. (pour n'importe quel gaz), il est nécessaire d'installer un régulateur externe sur la conduite de gaz, en avant du régulateur de l'appareil, afin de réduire la pression à 14 pouces C.E. ou moins. Si vous ne le faisiez pas, vous risqueriez des dysfonctionnements de l'appareil et des dommages.

### Notes importantes pour le raccordement à la canalisation du gaz

L'appareil et son robinet individuel de fermeture du gaz doivent être débranchés des canalisations de gaz durant toute vérification de pression de ce système, à des pressions de test allant au-delà de ½ psi (3,5 kPa). Vous devez également isoler l'appareil des canalisations de gaz en fermant le robinet individuel de fermeture du gaz, lors de toute vérification de pression du système de canalisation de gaz à des pressions de test égales ou inférieures à ½ psi (3,5 kPa).

Toutes les canalisations, sauf celles spécifiées diversément, doivent utiliser du Filetage Conduite National normal (N.P.T.). Pour tous les raccordements de conduite, utilisez un compound de joint de conduite homologué résistant à l'action du gaz PL.

Cet appareil est conçu pour être utilisé avec le régulateur de pression du gaz qui vous est fourni.

Il doit être installé sur la canalisation, en avant de l'entrée du tuyau de gaz. Il est pré-réglé pour fonctionner au gaz naturel et doit être converti, comme décrit en "Conversion Gaz", s'il doit fonctionner au gaz PL (voir figure 17 et 18).

Cet appareil est conçu pour fonctionner à une pression de 5 pouces de colonne d'eau sur le gaz naturel ou s'il fonctionne au gaz PL (propane ou butane) à une pression de 10 pouces de colonne d'eau. Bien s'assurer que cet appareil est livré et équipé avec le type de gaz pour lequel il a été conçu. Cet appareil a été réglé en usine pour fonctionner au gaz naturel. Si pour une raison ou une autre, vous deviez utiliser un autre type de gaz, n'essayez pas de faire fonction-

ner la table de cuisson avec le gaz différent mais appelez un technicien spécialisé qui effectuera tous les réglages de conversion décrits en "Conversion Gaz". Le gaz naturel doit arriver au régulateur de pression de l'appareil à une pression de conduite entre 6 et 14 pouces de colonne d'eau ou si converti au gaz PL entre 11 et 14 pouces.

### Important:

- **NE JAMAIS RÉUTILISER DE VIEUX RACCORDS POUR INSTALLER CET APPAREIL.** Afin de limiter les fuites de gaz possibles, appliquez un ruban adhésif téflon ou un compound de filetage homologué pour l'emploi avec du gaz naturel ou du gaz PL sur tous les raccords filetés. Appliquez un fluide non-corrosif de détection de fuite sur tous les joints et raccords de la conduite de gaz entre le robinet de fermeture du gaz et l'entrée de la table de cuisson. Vérifiez qu'il n'y a pas de fuites! Des bulles qui se forment autour des joints et des raccords indiquent la présence d'une fuite. Dans ce cas, fermez le robinet de fermeture du gaz, serrez les raccords, ouvrez à nouveau le robinet de fermeture et vérifiez s'il y a encore des fuites. Ne jamais vérifier s'il y a des fuites avec une flamme directe.
- **NE JAMAIS SERRER À PLUS DE 35 ft lbs (pieds livre) DE TORSION.**



### Raccordement du Gaz

- Taraudez le régulateur de pression de l'appareil à l'aide des deux extrémités mâles de  $\frac{1}{2}$ " en dotation avec cet appareil
- Réalisez le raccordement de la conduite de gaz à l'entrée du régulateur de pression avec des filetages de conduite mâles de  $\frac{1}{2}$ ".
- Assemblez le régulateur de pression aux filetages d'entrée du tuyau de gaz avec le joint en dotation. Sur le régulateur, vous pouvez voir une flèche indiquant le bon sens de circulation du gaz. Assurez-vous que le régulateur de l'appareil est bien installé avec la flèche pointée vers l'entrée du tuyau de gaz; vous assurer également que la partie supérieure du régulateur regarde l'avant du meuble et qu'il est facilement accessible en ouvrant les portes du meuble.
- Raccordez au tuyau de gaz, un robinet de fermeture qui soit facile d'accès pour ouvrir ou fermer l'arrivée de gaz à l'appareil.
- Installez un emmanchement entre le régulateur et le robinet de fermeture pour compléter le raccordement.
- Bien vérifier que tous les joints de raccordement sur la conduite de gaz sont étanches.
- Une fois le raccordement à la table de cuisson effectué, bien vérifier l'alignement des soupapes pour être sûr que le tuyau n'a pas bougé. Du fait d'un mauvais alignement, la tige de la soupape du bouton pourrait frotter contre la table de commande et causer une fuite de gaz à la soupape.

Si vous devez installer un four sous cet appareil, effectuez le raccordement comme indiqué à la figure 10. Tenez compte de l'espace du meuble en dessous.

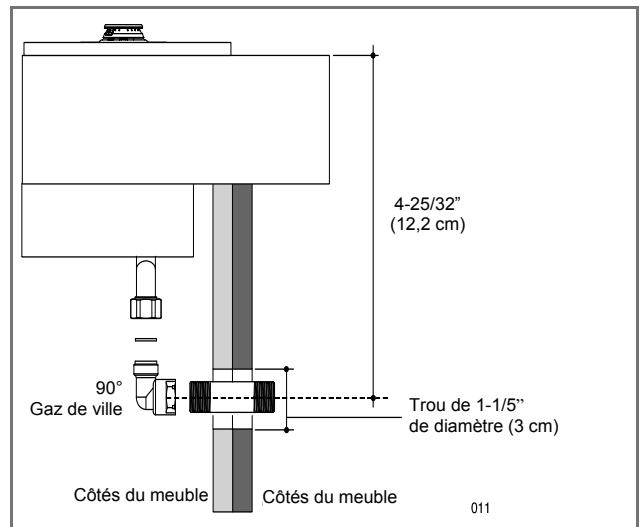


Figure 10.

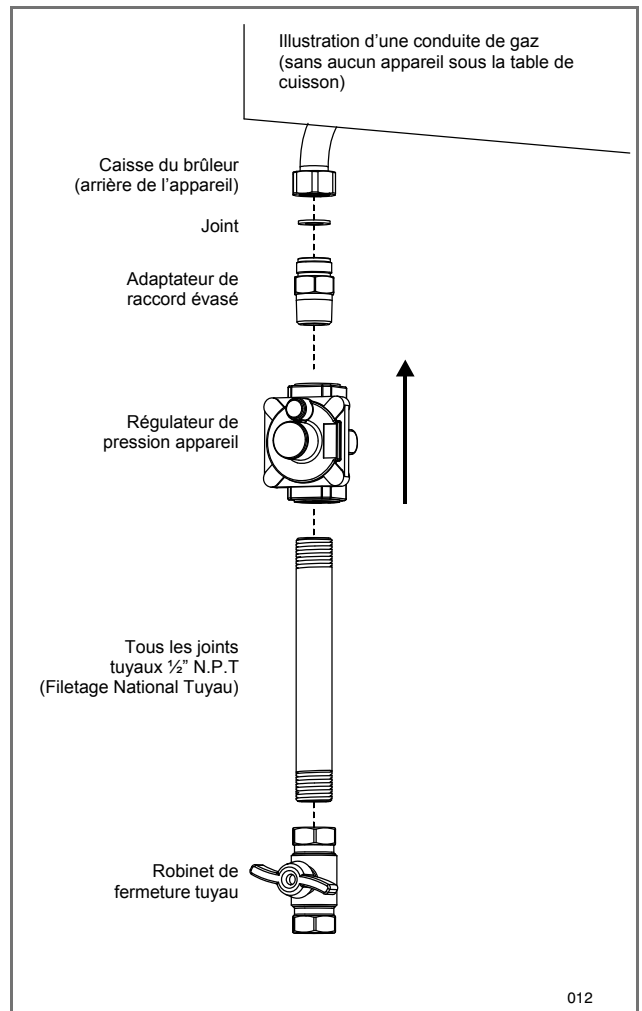


Figure 11.

**AUTRES POSSIBILITÉS DE RACCORDEMENT DE L'APPAREIL À UNE CONDUITE DE GAZ UN TECHNICIEN D'ENTRETIEN QUALIFIÉ OU UN INSTALLATEUR FOURNISSEUR DE GAZ DOIVENT EFFECTUER LE RACCORDEMENT DU GAZ.**

**La recherche de fuites possibles sur l'appareil doit être réalisée par l'installateur selon les instructions données.**

Vous pouvez utiliser un connecteur d'appareil en métal flexible récemment certifié A.G.A pour raccorder cet appareil à la conduite de gaz. Le connecteur doit avoir un diamètre interne d'au moins 1/2" NPT nominal et n'être pas plus long que 5 pieds. Il faut un adaptateur raccord évasé de 1/2" NPT x 1/2" à chaque extrémité du connecteur flexible. Si vous utilisez un connecteur flexible, veillez à ce que le régulateur de pression de l'appareil ainsi que le robinet de fermeture soient solidement raccordés à une autre conduite rigide permanente (la conduite de gaz ou le tuyau de l'appareil) de façon à être physiquement fixe. Voir figure 12.

**ATTENTION**

N'essayez pas d'attacher directement le connecteur flexible à un filetage de tuyau externe. Le branchement requiert des adaptateurs de raccord évasés.

Pour des installations Massachusetts:

1. Le robinet de fermeture doit être un robinet de gaz à «T»
2. La longueur du connecteur de gaz flexible ne doit pas dépasser 36 pouces
3. N'est pas approuvé pour être installé dans des chambres ou une salle de bain sauf si la pièce est ventilée directement.

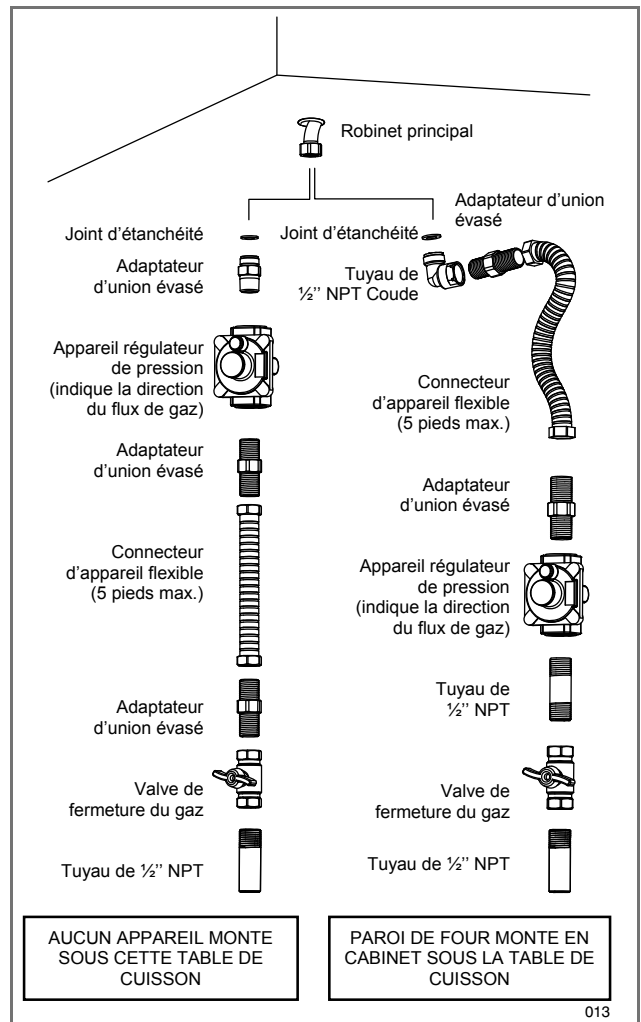


Figure 12.

### Vérification de la Pression

Vous devez isoler l'appareil des canalisations de gaz en fermant le robinet individuel de fermeture du gaz lors de tout test de pression du système de canalisation de gaz à des pressions de test égales ou inférieures à ½ psig (3,5kPa). Cet appareil et son robinet individuel de fermeture du gaz doivent être débranchés des canalisations de gaz durant tout test de pression de ce système à des pressions de test allant au-delà de ½ psig (3,5kPa). Lorsque vous vérifiez la fonction du régulateur de l'appareil, bien vous assurer que le gaz naturel est fourni à une pression entre 6 et 14 pouces de colonne d'eau et si converti au gaz PL entre 11 et 14 pouces.

LE TEST DE PRESSION SOIT ETRE EFFECTUE EN EMPLOYANT LA ZONE DE FILETAGE DE L'INJECTEUR

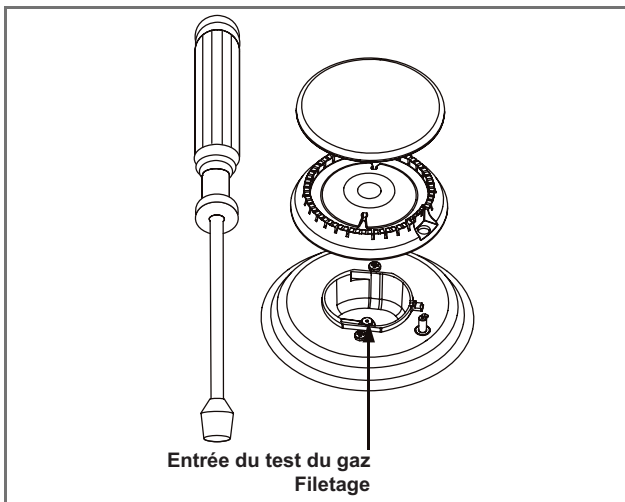


Figure 13.

### Méthode de Test de Pression

- Enlevez la grille et le chapeau du brûleur
- Enlevez le diffuseur aluminium de gaz
- Enlevez les injecteurs temporaires
- Connectez l'instrument de test sur la zone de filetage du porte-injecteur(M6x0,75)
- Vérifiez si la table de cuisson a une pression correcte
- Fixez l'injecteur enlevé pour le test et replacez les pièces dans leur bonne position.

## Conditions Requises Electricité

### Information Général

Le voltage et la fréquence de cet appareil doivent être conformes à ceux du réseau; en outre, il doit être correctement relié à la terre et protégé par un disjoncteur général ou un fusible ayant un ampérage comme spécifié sur la plaque signalétique. Nous vous recommandons de faire exécuter le branchement électrique de votre table de cuisson par un électricien compétent. Après l'installation, demandez-lui de vous montrer où se situe l'interrupteur général de la table de cuisson. Vérifiez auprès des autorités locales les normes d'électricité qui s'appliquent à votre zone d'habitation. Un branchement électrique incorrect est synonyme de risque. Dans le cas où il n'y aurait pas de normes spéciales, votre table de cuisson sera branchée et protégée par des fusibles aux termes des Normes d'Électricité Nationales, ANSI/NFPA N°70-dernière édition. Vous pouvez obtenir une copie en écrivant à:

National Fire Protection Association  
 Battery march Park  
 Quincy, MA 02269

Au Canada, le branchement électrique de votre table de cuisson et les fusibles doivent être conformes aux Normes d'Électricité du Canada. Assurez-vous que l'installation de ce produit dans une autocaravane est conforme aux Normes de Construction et de Sécurité des Habitations, Titre 24CFR, Partie 3280, ou lorsque de telles normes ne sont pas applicables, à la Norme pour les Installations d'Habitations, ANSI A225.1, à la Norme pour les Installations des Habitations, Emplacements et Communautés et ANSI/NFPA 501A ou aux réglementations locales. Vous pouvez obtenir une copie de la Norme Fédérale en écrivant à:

Office of Mobile Home Standards  
 HUD Building  
 451 7th Street, S.W.  
 Washington, D.C. 24010

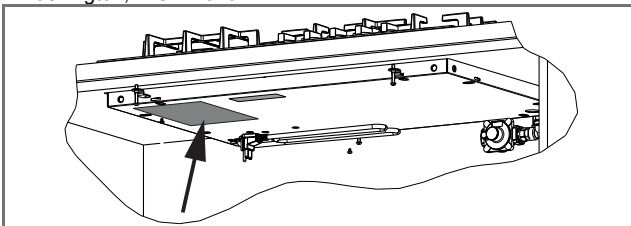


Figure 13a. Endroit de la plaque de valeurs

### Branchement Electrique

Vous devez disposer d'une fourniture et d'une sortie électrique adéquate pour que les pièces électriques de votre table de cuisson fonctionnent.



### AVERTISSEMENT

#### RISQUE D'ÉLECTROCHOC

Branchez dans une prise à 3 fils avec mise à la terre. Ne pas enlever le conducteur de mise à la terre. Ne pas utiliser un adaptateur. Ne pas utiliser un câble d'extension. La non-observation de ces instructions peut entraîner la mort, un incendie ou un électrochoc.



### Important:

**POUR VOTRE SÉCURITÉ PERSONNELLE, CET APPAREIL DOIT NÉCESSAIREMENT ÊTRE RELIÉ À LA TERRE.**

Le câble d'alimentation de cet appareil est équipé d'une fiche à 3 fils (mise à la terre) qui doit être branchée dans une prise à 3 fils mise à la terre correctement et disposant d'un courant alternatif standard de 120 Volt et 60 cycles. Si votre prise n'est pas reliée à la terre, demandez à un électricien de vous la remplacer; et en attendant, utilisez un adaptateur reliant à la terre pour convertir la vieille prise. Cette solution ne peut être que temporaire et un électricien compétent devrait la tester pour être sûr qu'elle correspond aux normes.

### Requises Electricité

**Ne jamais en aucun cas couper ou enlever la mise à la terre du câble électrique de la table de cuisson.**

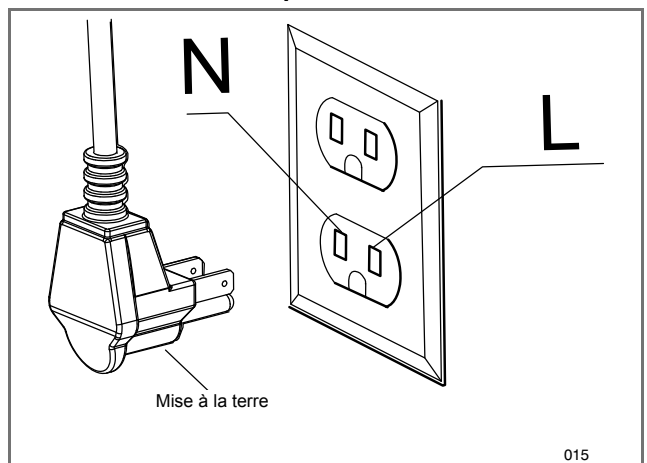


Figure 14.

015

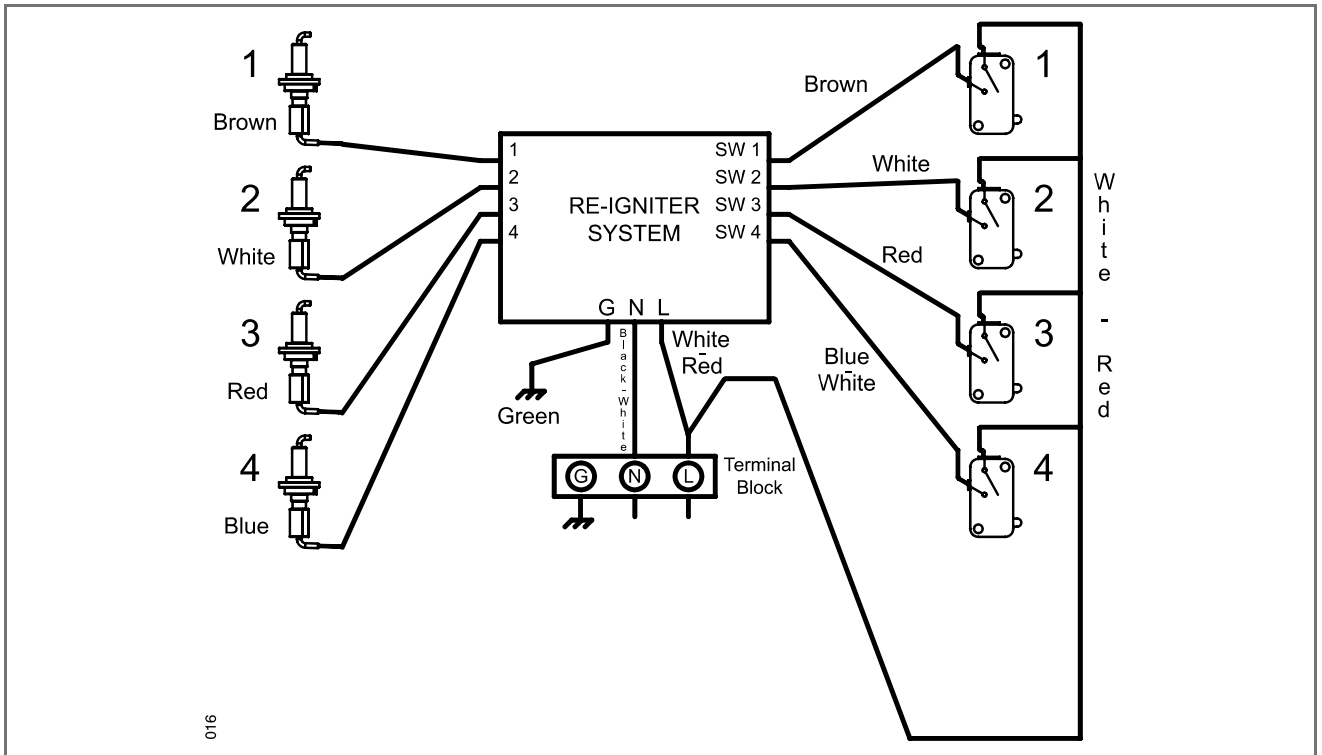


Figure 15. Schéma électrique (4 zones)

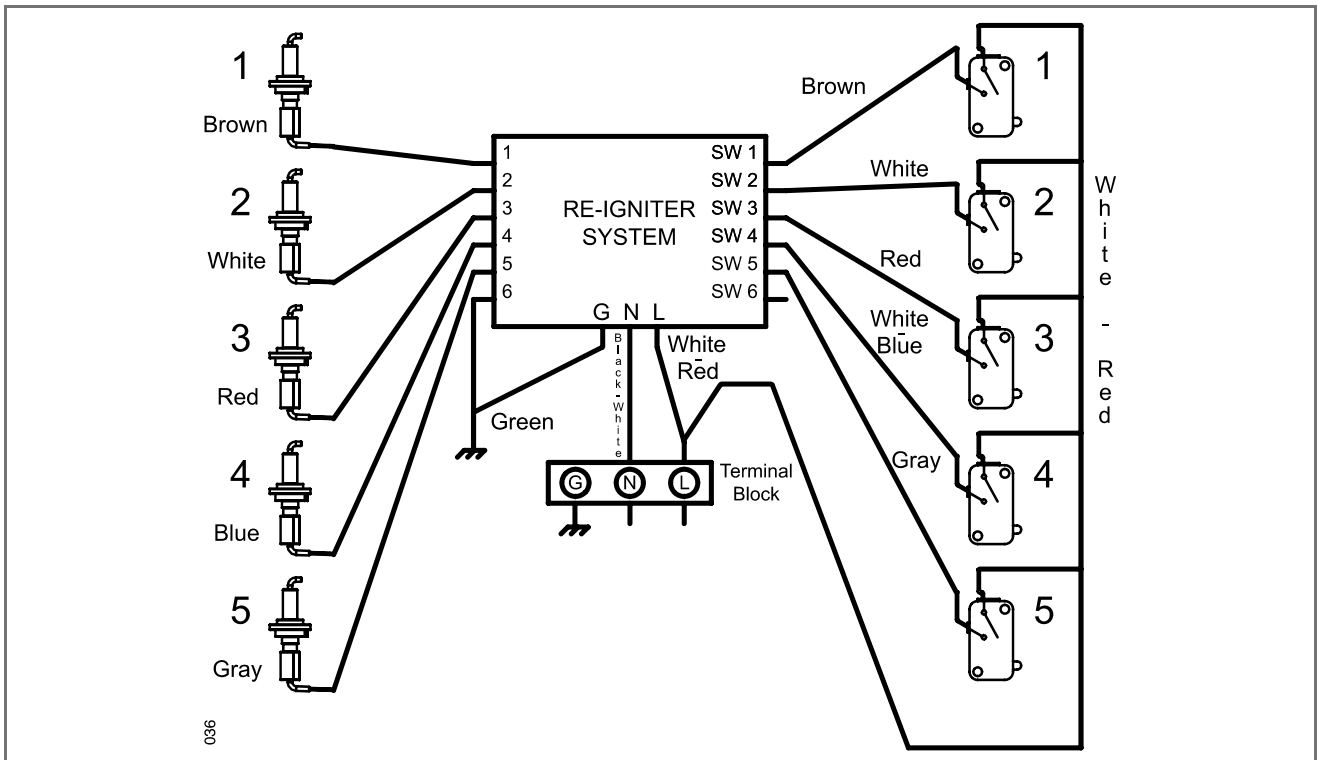


Figure 16. Schéma électrique (5 zones)

## Conversion Gaz PL ou Gaz Naturel

### Conversion de l'Appareil pour Fonctionner au Gaz PL



#### AVERTISSEMENT

La conversion au gaz propane doit être effectuée par UN TECHNICIEN D'ENTRETIEN AUTORISÉ (ou un autre centre autorisé) selon les instructions du fabricant et les normes et réglementations des autorités de juridiction. Le non-respect de ces instructions peut entraîner des blessures graves ou des dommages à la propriété. Le centre autorisé ayant effectué la conversion s'en assume la responsabilité.



#### AVERTISSEMENT

Avant de procéder à la conversion, coupez l'arrivée d'électricité et de gaz.

Cet appareil a été prédisposé en usine pour fonctionner au gaz naturel. Pour le convertir au gaz PL (propane ou butane), vous devez effectuer chacune des modifications suivantes:

#### Remplacez un injecteur (brûleurs avec un anneau de flamme)

1. Enlevez les grilles et les bagues de brûleur
2. Enlevez le diffuseur de gaz en aluminium
3. Desserrez l'injecteur en tournant le tournevis à douille de 9-32" dans le sens inverse des aiguilles d'une montre
4. Installez les injecteurs fournis avec les appareils sur le brûleur approprié. Les injecteurs ont un petit numéro gravé sur le côté, ces chiffres codent le diamètre de l'orifice et l'emplacement correct du brûleur (voir "Position des injecteurs")
5. Tournez dans le sens des aiguilles d'une montre pour serrer (couple de serrage 15 à 20 inch-lbs)
6. Remplacez toutes les pièces en suivant l'ordre inverse
7. **Gardez les injecteurs enlevés des appareils pour un usage postérieur**

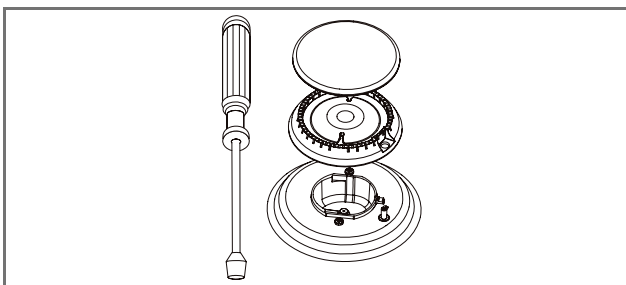


Figure 17.

#### Remplacez un injecteur (brûleur avec deux anneaux de flamme)

1. Enlevez les grilles et les bagues de brûleur
2. Enlevez le diffuseur de gaz en aluminium
3. Enlevez les trois vis du diffuseur de gaz pour cuisson douce (1)
4. Enlevez les deux vis du couvercle de l'injecteur (2)
5. Desserrez l'injecteur (A) en tournant la clé à douille de 9-32" dans le sens inverse des aiguilles d'une montre
6. Desserrez l'injecteur (B) en tournant la clé polygonale de 9-32" dans le sens inverse des aiguilles d'une montre
7. Installez les injecteurs fournis avec les appareils sur le brûleur approprié. Les injecteurs ont un petit numéro gravé sur le côté, ces chiffres codent le diamètre de l'orifice et l'emplacement correct du brûleur (voir "Position des injecteurs")
8. Tournez dans le sens des aiguilles d'une montre pour serrer (couple de serrage 15 à 20 inch-lbs)
9. Remplacez les pièces suivantes dans l'ordre inverse
10. **Gardez les injecteurs enlevés des appareils pour un usage postérieur**

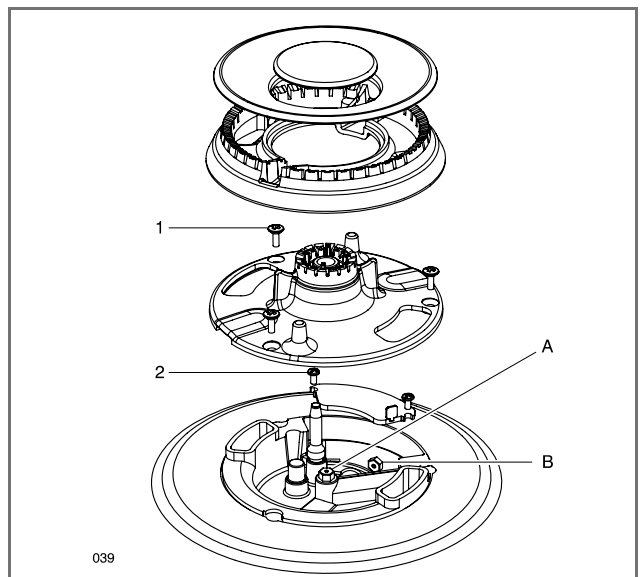


Figure 18.

Après le remplacement des injecteurs, réglez la flamme des brûleurs (voir "Réglage de la flamme basse"). Vérifiez l'apparence de chaque flamme des brûleurs sur les réglages HI-LO, si la flamme semble trop grande ou trop petite, vérifiez si les étapes ont bien été suivies correctement.

**Conversion du régulateur de pression sur la position LP (gaz liquéfié) suivant la figure 20.**

### Conversion des Appareils pour Une Utilisation avec Gaz Naturel

Si les appareils devaient être convertis pour une utilisation avec le gaz naturel, il faut effectuer chacune des modifications suivantes:

1. Remplacez tous les injecteurs suivant l'étape décrite dans les pages précédentes, observez le chiffre gravé sur le côté, ce chiffre code le diamètre de l'orifice et l'emplacement correct du brûleur (voir "Position des Injecteurs")
2. Convertissez le régulateur de pression sur la position LP (gaz liquéfié) (voir "Conversion du Régulateur de Pression")
3. Ajustez la flamme du brûleur (voir "Réglage de la flamme")

Vérifiez l'apparence de chaque flamme de brûleur sur les réglages HI-LO, si la flamme semble trop grande ou trop petite, vérifiez que les étapes ont bien été suivies correctement.

### Conversion du régulateur de pression

Les appareils sont conçus pour une utilisation au gaz naturel ou gaz liquide. Le régulateur de pression est fourni. Il doit être installé sur l'arrivée de gaz derrière l'entrée du distributeur. Il est pré-réglé pour une utilisation avec le gaz fourni avec les appareils. Pour une utilisation avec des gaz différents, il doit être converti.

**Pour la conversion du régulateur de pression, suivez les instructions ci-dessous:**

- Déconnectez tous les branchements électriques, au disjoncteur principal ou à la boîte de fusible.
- Fermez l'alimentation de gaz à la table de cuisson en fermant manuellement le robinet de retenue.
- Ajustez le régulateur de pression, en suivant les instructions (voir figure)
  1. Dévissez le couvercle du régulateur
  2. Dévissez la fiche d'alimentation de conversion en plastique du chapeau tournez et revissez (grande section retirée du chapeau pour gaz liquéfié et contre le chapeau pour le gaz naturel) (voir figure)
  3. Remplacez le chapeau du régulateur

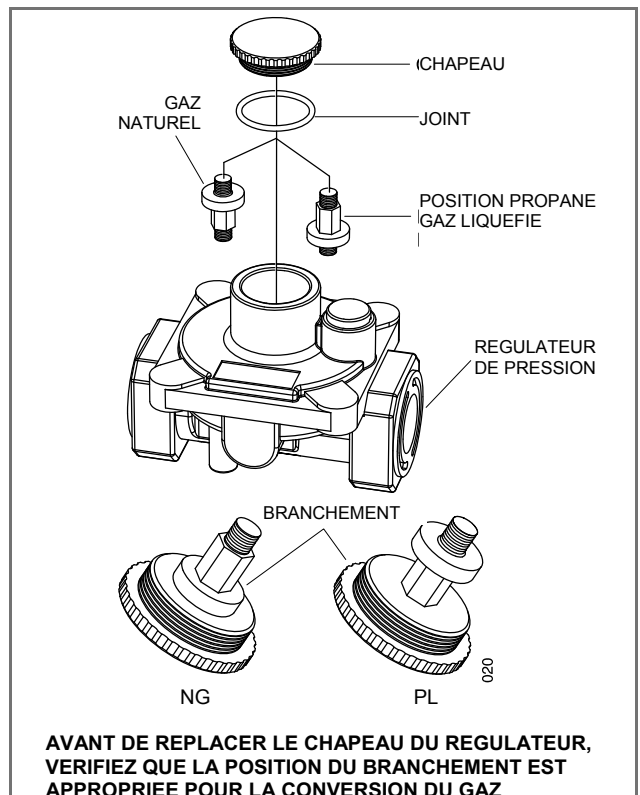
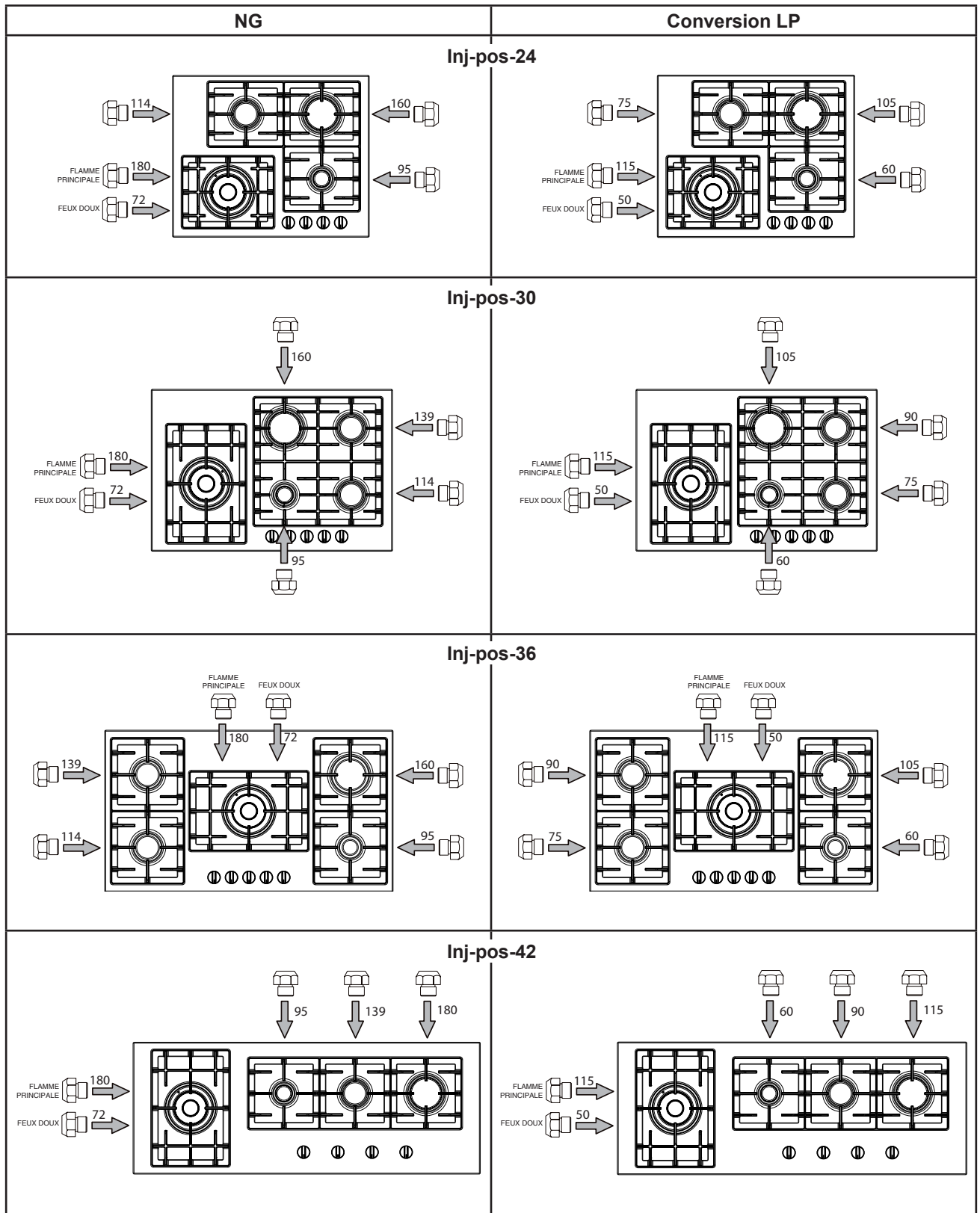


Figure 20. Régulateur de pression

*Position des Injecteurs*





## Réglage Petite Flamme


**DANGER**

Allumer des brûleurs à gaz avec une allumette est dangereux. Vous ne devriez allumer un brûleur avec une allumette que dans un cas urgent.

Allumez une allumette et tenir la flamme près du brûleur que vous voulez allumer.

Ce sont les allumettes en bois qui fonctionnent le mieux. Enfoncez et tournez le bouton lentement. Assurez-vous que vous tournez bien le bouton du brûleur que vous voulez allumer.

### NOTE:

Si le brûleur ne s'allume pas dans les 5 secondes, remettez le bouton en position off, attendez une minute et ré-essayez à nouveau.


**AVERTISSEMENT**

Si vous essayez de mesurer le cône interne de la flamme, faites attention. Vous pourriez vous brûler.

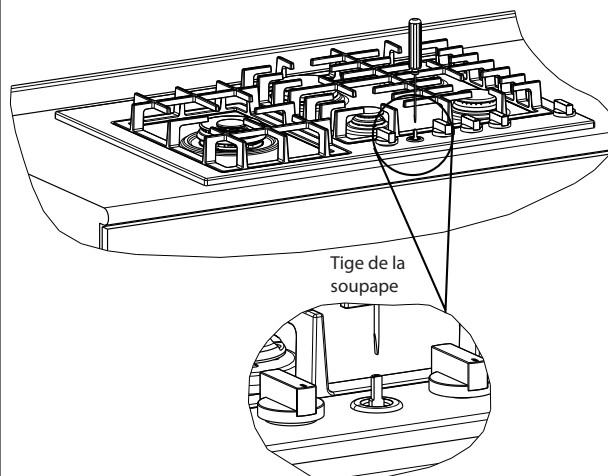
Cet appareil est prédisposé en usine pour une flamme petite et moyenne et fonctionne au gaz naturel.

Si d'autres réglages sont, veuillez procéder de la sorte:

### Réglage pour brûleurs avec un ou deux anneaux de flamme

1. Allumez le brûleur et positionnez le bouton sur petite flamme.
2. Enlevez le bouton de commande de la tige de la soupape.
3. Insérez un tournevis fin à la lame fine dans la cavité au centre de la tige de la soupape et engagez la lame dans l'orifice pour régler la vis.
4. Tournez la tige du centre pour ajuster la flamme et déterminer sa taille.
  - dans le sens des aiguilles d'une montre, vous réduisez la flamme
  - dans le sens contraire des aiguilles d'une montre, vous augmentez la flamme
5. Remplacez le bouton de commande en fin d'opération.

### BRÛLEURS AVEC UN OU DEUX ANNEAUX DE FLAMME



- Dans le sens contraire des aiguilles d'une montre pour augmenter la taille de la flamme.

- Dans le sens des aiguilles d'une montre pour réduire la taille de la flamme.

Figure 21. Réglage petite flamme

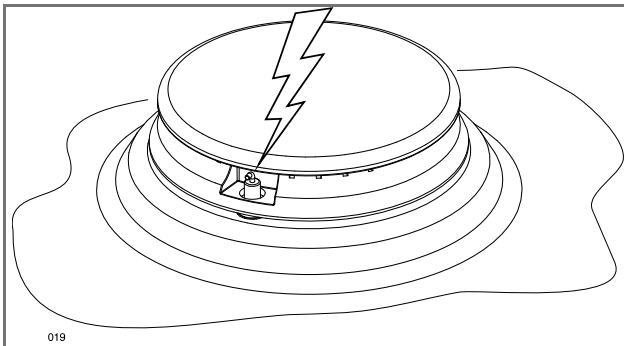
Un ajustement correct produira une flamme bleue de taille minimum, stable et constante. Vérifiez le réglage final en tournant plusieurs fois le bouton de la position flamme haute à flamme basse sans que la flamme ne s'éteigne. Ce réglage à position faible indiquera automatiquement la taille de la flamme sur la position moyenne. Une fois que les étapes de conversion sont terminées, vérifiez l'aspect de la flamme de chaque brûleur en position HI et LO. Si les flammes semblent trop larges ou trop hautes, revoir chaque étape afin de vérifier qu'elles ont été exécutées correctement.

**REMARQUE :**

**Pour obtenir le réglage minimum correct avec le gaz de PL, tourner dans le sens des aiguilles d'une montre en serrant totalement la vanne avec le tournevis plat dans la rainure au centre de la tige de vanne.**

**Allumage à gaz électrique**

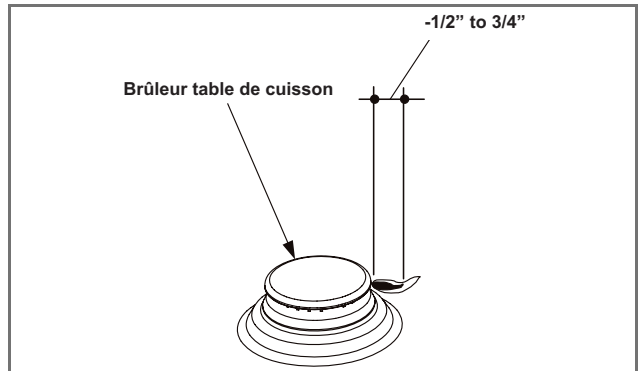
Le brûleur à gaz utilise un appareil à allumage électrique situé près de chaque brûleur par un allumeur à étincelle qui allume la surface automatiquement.


**Figure 22. Allumage à gaz électrique**

**Voir le Manuel d'utilisation et d'entretien pour une meilleure explication de fonctionnement de la table de cuisson.**

**Les Flammes du Brûleur**

Allumez chaque brûleur. Les flammes devraient être de couleur bleue sans aucune trace de jaune. Les flammes du brûleur ne devraient pas tressaillir ou s'écarter du brûleur. Le cône interne de la flamme devrait être long de  $\frac{1}{2}''$  à  $\frac{3}{4}''$ .


**Figure 23. Flammes du brûleur**

**Tabela de Contenido**

	Pagina
<b>Advertencias Especiales .....</b>	<b>40</b>
<b>Dimensiones del Producto y de Encastre .....</b>	<b>41</b>
<i>Importantes Consejos de Preparación .....</i>	<i>41</i>
<i>Instalación en Casas Móviles .....</i>	<i>43</i>
<b>Instalación de la Placa de Cocción.....</b>	<b>44</b>
<b>Conexión del Gas - Requisitos .....</b>	<b>46</b>
<i>Conexión del Gas.....</i>	<i>47</i>
<i>Prueba de Presión.....</i>	<i>49</i>
<b>Conexión Eléctrica - Requisitos .....</b>	<b>50</b>
<i>Conexión Eléctrica .....</i>	<i>50</i>
<i>Conexión Eléctrica - Requisitos .....</i>	<i>50</i>
<b>Conversión a Gas LP o NG.....</b>	<b>52</b>
<i>Conversión del Electrodoméstico para su Uso con Gas LP .....</i>	<i>52</i>
<i>Conversión de los Electrodomesticos para Utilizarlos con Gas NG.....</i>	<i>53</i>
<i>Graduación de la Llama Baja.....</i>	<i>55</i>
<i>Ignición eléctrica del gas.....</i>	<i>56</i>

**IMPORTANTE:** Guarde estas instrucciones para el uso del inspector eléctrico local.  
**INSTALADOR:** Por favor, deje este manual a propietario para futuras consultas.  
**PROPIETARIO:** Por favor, conserve este manual para futuras consultas.

**Preste la debida atención a los siguientes símbolos que encontrará en el manual.**


**PELIGRO**

Si no sigue estas instrucciones de forma INMEDIATA, puede correr peligro de muerte o de resultar gravemente herido.


**ADVERTENCIA**

- Este es el símbolo de los avisos relacionados con la seguridad: alerta sobre potenciales peligros que pueden derivar en muerte o daños a las personas.
- Si no sigue estas instrucciones, puede correr peligro de muerte o de resultar gravemente herido.

**LEA Y CONSERVE ESTAS INSTRUCCIONES.**

**Instalador:**

Deje las instrucciones con el electrodoméstico.

**Cliente:**

Conserve las instrucciones como referencia futura.


**ADVERTENCIA**

- La inobservancia de las indicaciones recogidas en este manual puede derivar en muerte o en daños a las personas.
- No almacene ni utilice gasolina u otros vapores o líquidos inflamables cerca de este ni otro electrodoméstico.



## **IMPORTANTE**

### *Advertencias Especiales*

**Por favor, lea todas las instrucciones antes de utilizar este aparato.**

Efectuar una instalación adecuada es responsabilidad suya. Asegúrese de que el electrodoméstico es instalado por un técnico cualificado.

#### **Importante:**

- Cumpla todas las normativas y ordenanzas vigentes aplicables.
- Anote el número de serie y de modelo de la placa de cocción antes de instalarla. Ambos números se encuentran en la placa de serie de la base del electrodoméstico.

#### **Antes de comenzar la instalación**

- Examine el lugar en el que va a instalar la placa de cocción. Debe ubicarla en un lugar alejado de fuertes corrientes de aire, como ventanas, puertas y ventiladores.
- Es necesario que el electrodoméstico se conecte a una toma de tierra. Consulte la sección “Conexión eléctrica. Requisitos”.
- Debe asegurarse de que la instalación es adecuada y conforme con el Código eléctrico americano (National Electrical Code), ANSI/NFPA 70 (última edición\*\*) o con el Código eléctrico canadiense (Canadian Electrical Code), C 22.1 – 1982 y C22.2 N° 01982 (o la última edición)\*\*\* y con todos los códigos y ordenanzas locales.
- Debe asegurarse de que la conexión de gas está conforme con los códigos y ordenanzas locales. En ausencia de códigos locales, las instalaciones deben conformarse con el Código eléctrico americano (National Electrical Code), la Norma estadounidense de gas combustible (National Fuel Gas Code) ANSI Z223.1 (última edición\*\* o CANI) B149.1 o 2\*\*\*.

Puede obtener copias de las normas citadas en:

\*\* National Fire Protection Association One Batterymarch Park  
Quincy, Massachusetts 02269

\*\*\* CSA International 8501 East Pleasant Valley Rd. Cleveland,  
OH 44131-5575

#### **NOTA:**

Esta placa de cocción ha sido diseñada para ser utilizada con gas natural\*. Para convertirla a LP/propano, lea las instrucciones del kit de conversión que encontrará entre los manuales del embalaje. Debe disponer de una conexión de suministro adecuada. Lea la sección “Conexión del gas. Requisitos”.

#### **Qué hacer si detecta olor a gas**

- No encienda ningún electrodoméstico.
- No toque ningún interruptor eléctrico.
- No utilice ningún teléfono desde su vivienda.
- Llame de inmediato a su proveedor de gas desde la casa de algún vecino. Siga las instrucciones que le dé.
- Si no consigue localizar a su proveedor de gas, llame a los bomberos.
- La instalación y el mantenimiento deben ser efectuados por un instalador cualificado, un servicio técnico o por el proveedor de gas.

#### **Instalación de la placa sobre un horno**

O Solo algunos modelos de placas de cocción y hornos están diseñados para instalaciones combinadas. Las placas de cocción homologadas para este tipo de instalación deben tener una etiqueta de homologación en el exterior de la carcasa de los quemadores. Si no encuentra esa etiqueta, póngase en contacto con el vendedor para confirmar si la placa de cocción puede instalarse sobre un horno. La etiqueta que encontrará en la parte inferior de la placa de cocción recoge las combinaciones aprobadas de placas de cocción y hornos compatibles con ese tipo de instalación.

## Dimensiones del Producto y de Encastre

### Importantes Consejos de Preparación

1. Bisele todos los bordes expuestos de laminado decorativo para evitar que se astille.
2. **Redondee las esquinas recortadas y lijelas: los bordes deben quedar suaves para evitar que se resquebrajen las esquinas. Se recomienda utilizar un taladro con una broca de diámetro de 1/4 o 3/8 en cada esquina.**
3. Los bordes ásperos, las esquinas interiores que no han sido redondeadas y forzar el acoplamiento de la placa pueden contribuir a resquebrajar el laminado de la encimera.

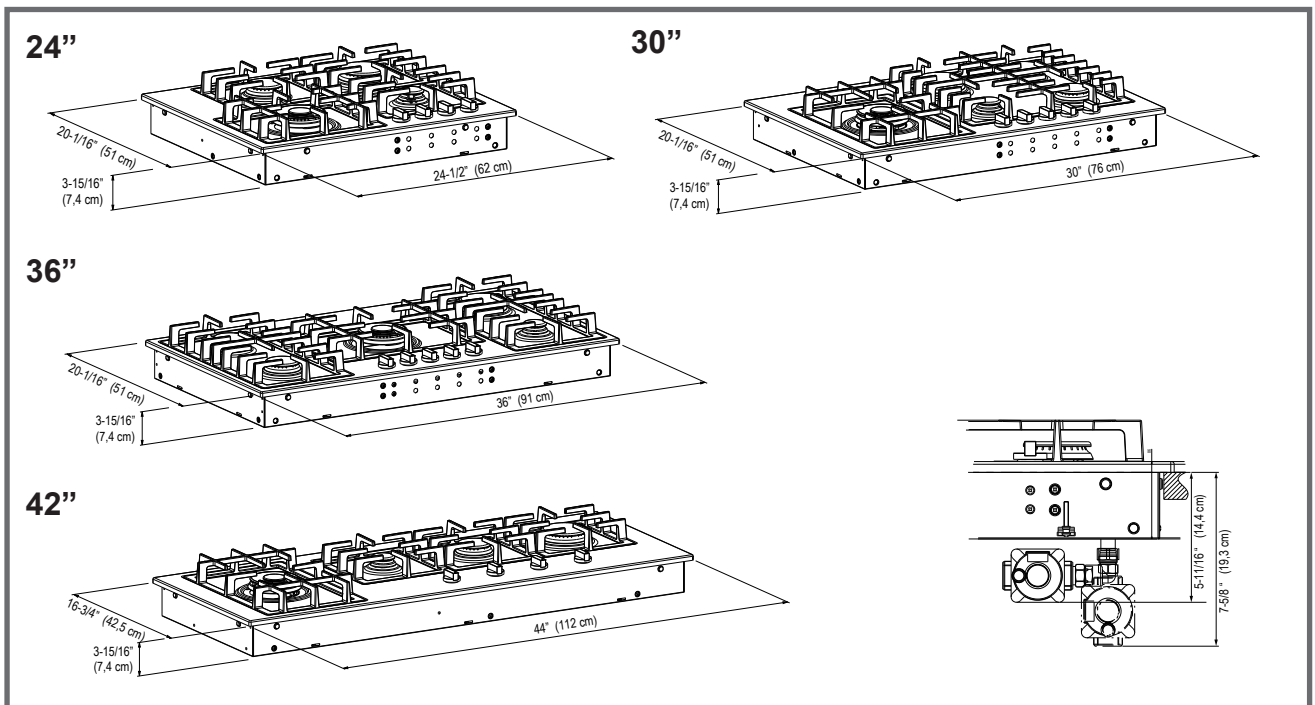


Figura 1. Dimensiones du producto

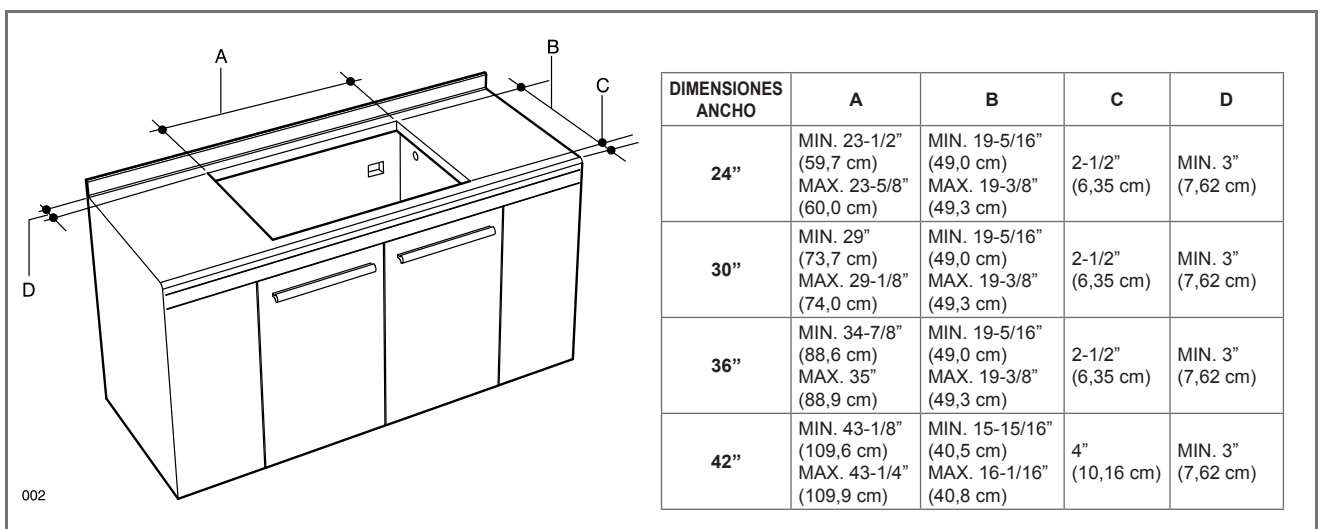
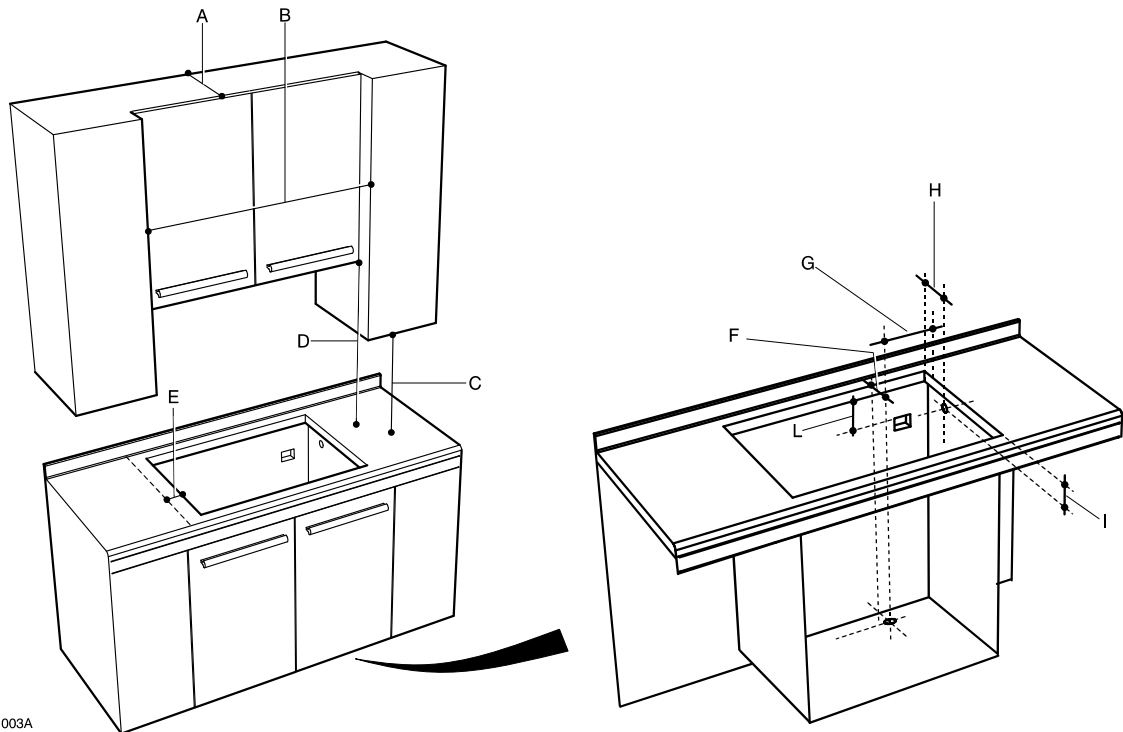


Figure 2. Dimensiones de encastre



003A

- A 13" (33 cm) Profundidad de armarios superiores desprotegidos.
- B 24" (61.0 cm) MIN. (Model 24").  
30" (76.2 cm) MIN. (Model 30").  
36" (91.4 cm) MIN. (Model 36").  
42" (106.7 cm) MIN. (Model 42").
- C 18" (47,7 cm) MIN. Altura desde la encimera hasta el armario más cercano a ambos lados de la unidad.
- D 30" (76,2 cm ) MIN. (ver Nota\*) Espacio mínimo desde la encimera a cualquier superficie volada.
- E 5" (12,7 cm) MIN. Espacio desde el recorte hasta los lados izquierdo y derecho de la unidad.
- F Desde la esquina trasera del recorte 2-9/32" (5,8 cm).
- G Desde la esquina trasera derecha del recorte 2-19/32" (6,6 cm).
- H Abertura para instalación de gas de la placa sobre un horno: 2-9/32" (5,8 cm) desde la esquina trasera del recorte al orificio.
- I Desde la parte superior de la encimera al orificio 4-25/32"(12,2 cm).
- L Toma eléctrica 12" (30,5 cm) por debajo de la base de la encimera.
- **Diámetro orificio 1-1/5" (3 cm).**

**\* NOTA:**

- Si el mueble en el que va a instalar la placa de cocción tiene un cajón, es necesario dejar un espacio de 5-1/4" (13,35 cm) desde la parte superior de la encimera hasta la parte superior del cajón (o de cualquier otra obstrucción) en función de los requisitos del mueble. Es posible que sea necesario acortar la profundidad del cajón para evitar que interfiera con el regulador.
- Espacio mínimo si la parte inferior de los muebles de metal o madera están protegidos por no menos de 1/4" (0,6 cm) de cartón retardante al fuego recubierto con una chapa de acero inoxidable del n.º 28MSG de espesor mínimo de 0,015" (0,04 cm), o de aluminio de 0,024" (0,06 cm) o de cobre de 0,020" (0,50 cm): 24" (61 cm). Espacio mínimo entre la parte superior de la encimera y la parte inferior de la parte del mueble de madera o metal desprotegida: 30" (76,2 cm).

**Figure 3. Dimensiones de encastre**

Recomendamos que considere la dimensión mínima de encastre en caso de efectuar una nueva instalación.



### ADVERTENCIA

El aparato no debe instalarse con un sistema de ventilación que propulse el aire hacia abajo en dirección de la estantería. Este tipo de sistema de ventilación podría causar problemas de ignición y de combustión con el aparato de cocción y provocar heridas personales o encendidos involuntarios.

### Instalación en Casas Móviles

La instalación de esta placa de cocina debe cumplir con el título 24 CFR, Parte 3280 de las Normas de seguridad y construcción de viviendas prefabricadas o móviles estadounidenses (Manufactured Home Construction and Safety Standards, [anteriormente denominada Federal Standard for Mobile Home Construction and Safety (Norma federal para seguridad y construcción de casas prefabricadas), Title 24 HUD, Part 280]; o, en caso de que dicha norma no sea aplicable, deberá seguirse la pauta marcada por la Norma para instalaciones en casas prefabricadas estadounidense [(Standard for Manufactured Home Installations (Manufactured Home Sites, Communities and Setups), ANSI A225.1 (última edición) o bien, la normativa local existente referente a casas móviles.

En Canadá, la instalación de esta placa de cocción debe cumplir con las normativas actuales CAN/CSA-Z240 (última edición) o con las normativas locales.

### Importante:

- Para efectuar instalaciones en encimeras con superficie sólida (como Surel™ y Corian®), consulte con el fabricante de la encimera. Aplique cintas adhesivas de gran resistencia a la temperatura, como la cinta de Aluminio Scotch® 425 o 427, alrededor de la zona recortada de forma que se doble sobre la encimera y los laterales del corte.
- NO PEGUE LA CINTA POR DEBAJO DE LA PLACA DE COCCIÓN.
- Asegúrese de que la cinta se extiende más allá del borde exterior de la placa de cocción. Todas las esquinas deben estar recubiertas con cinta.

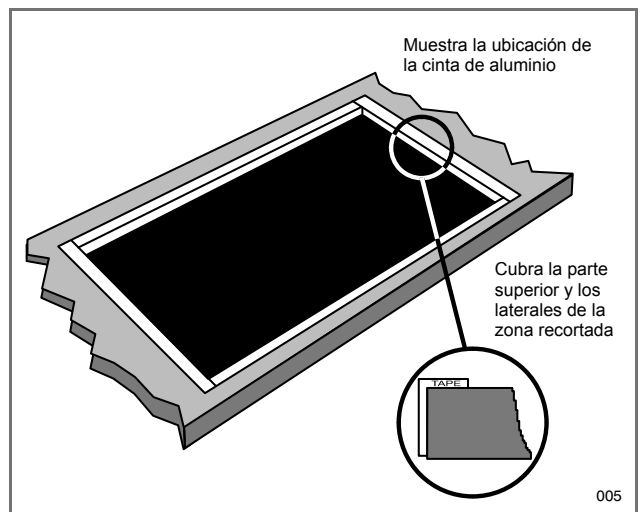


Figura 4. Instalación en encimeras de superficie sólida

## Instalación de la Placa de Cocción



### ADVERTENCIA

- **Peso excesivo**

La placa de cocción debe ser transportada e instalada por dos o más personas. Si lo hiciera una sola persona, podría sufrir daños y lesiones en la espalda o en otras partes.

- **Peligro de corte**

Tenga cuidado con los bordes afilados. Utilice los complementos de poliestireno para trasladar el producto. Si no se presta atención, las personas que lleven a cabo la instalación podrían resultar heridas.

- Consulte siempre con el fabricante de la encimera que le dará instrucciones específicas.
- Asegúrese de que la encimera está bien equilibrada y de que ningún elemento interfiera o limite las condiciones de espacio.
- Prepare los cortes de la encimera de acuerdo con las instrucciones (vea "Dimensiones de encastre").
- Asegúrese de que el revestimiento de la pared, la encimera y los armarios que rodeen la placa de cocción sean resistentes al calor (hasta 93 °C).

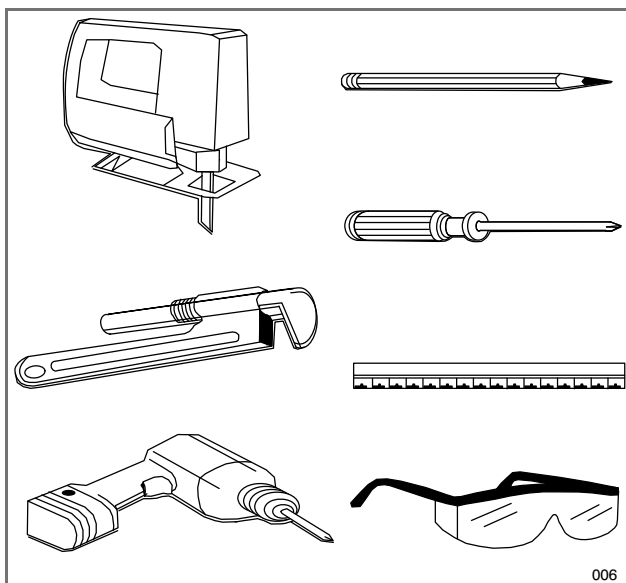


Figura 5. Herramientas necesarias

### Paso 1

Retire el embalaje y separe los manuales de instrucciones antes de comenzar la instalación.

Lea atentamente los manuales de instalación antes de comenzar.

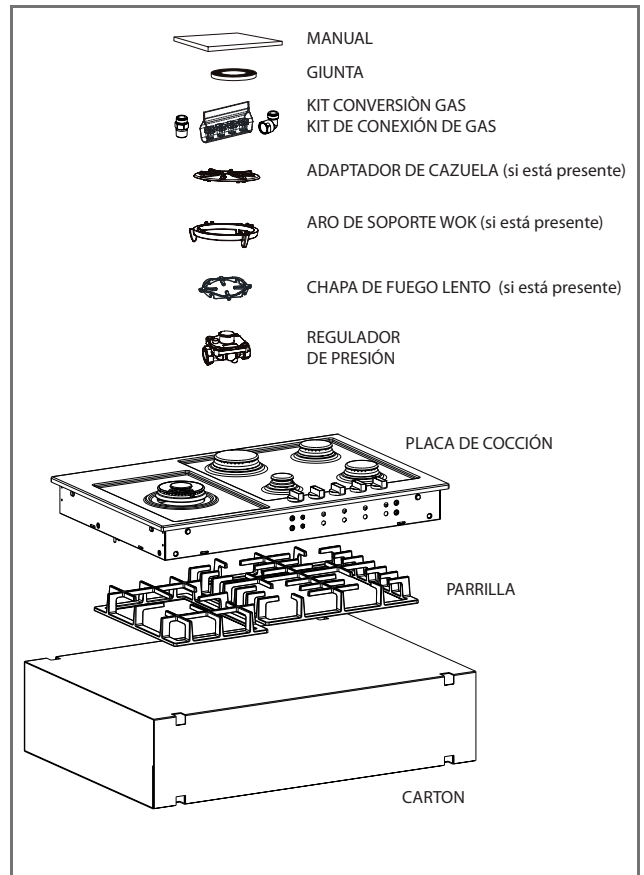


Figura 6. Piezas



**Paso 2**

Antes de comenzar la instalación, aplique la cinta de espuma que acompaña al embalaje para sellar los bordes de la encimera y la placa de cocción. Aplique la cinta cerca de la parte inferior del borde interior de la placa de cocción. Aplique la cinta por todo el perímetro de la placa de cocción. Recorte los extremos de cinta sobrantes.

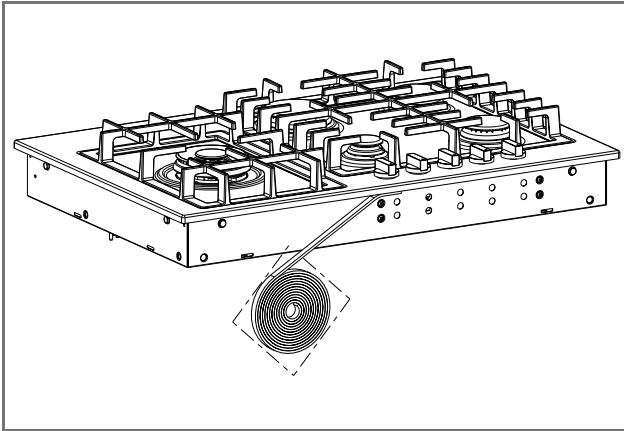


Figura 7.

**Paso 3**

Inserte la placa de cocina bien centrada en la abertura de encastre. Asegúrese de que el borde frontal de la encimera esté paralelo a la placa de cocción. Compruebe que las dimensiones de la abertura en la que vaya a encastrar la placa de cocción cumplen todos los requisitos especificados anteriormente.

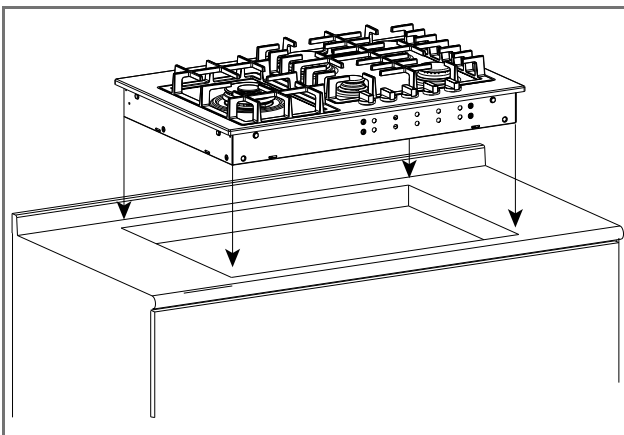


Figura 8.

**Paso 4**

En el embalaje del producto han sido incluidas cuatro grapas de fijación. Una vez haya instalado la placa de cocción en la encimera, instale las grapas en la placa tal y como se indica en la figura 9.

Instale las grapas de fijación en la parte delantera y trasera de la base de la carcasa de los quemadores (si el diseño del armario en el que está instalando la placa no deja espacio suficiente para instalar las grapas en la parte trasera y delantera, instélas en el lateral de la carcasa de quemadores).

**paso A** coloque los tornillos de fijación en las grapas.

**paso B** una vez haya colocado los tornillos en los puntos indicados de la carcasa de los quemadores, ajústelos. Apriete los tornillos lo suficiente para mantener las grapas fijadas.

**paso C** coloque las grapas de forma que estén en contacto con la base de la encimera.

**paso D** apriete los tornillos de fijación hasta que estén bien asegurados.

**paso E** compruebe que el borde delantero de la placa de cocción esté paralelo al borde delantero de la encimera y apriete el tornillo de fijación contra la encimera.

**NO APRIETE DEMASIADO LOS TORNILLOS**

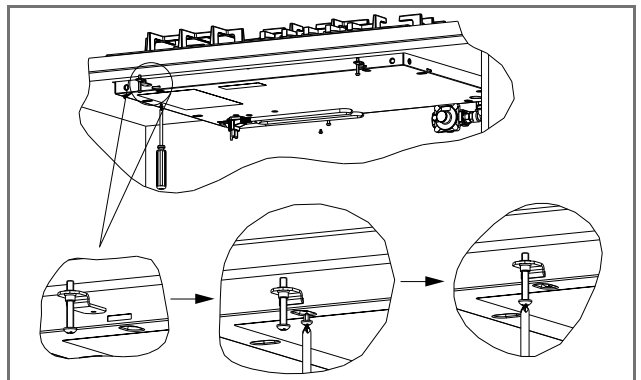


Figura 9.

## Conexión del Gas - Requisitos

### LA CONEXIÓN DEL SUMINISTRO DE GAS DEBE SER EFECTUADA POR UN TÉCNICO ESPECIALIZADO O POR UN INSTALADOR DE ELECTRODOMÉSTICOS DE GAS.

El responsable de efectuar la prueba de fugas de acuerdo con las instrucciones suministradas será el instalador.



### ADVERTENCIA

Si la presión del suministro de gas del regulador del electrodoméstico supera las 14 pulgadas de c.d.a. (columna de agua) - de cualquier gas - será necesario instalar un regulador externo en la línea de gas, antes del regulador del electrodoméstico, para reducir la presión hasta un nivel inferior a 14 pulgadas de c.d.a. El incumplimiento de esta condición puede derivar en un mal funcionamiento del electrodoméstico o provocar daños en el electrodoméstico.

### Observaciones importantes para la conexión del gas

El electrodoméstico y la válvula individual de cierre deben aislarse del sistema de tuberías que suministran el gas siempre que se realicen pruebas de presión con presiones superiores a 1/2 psi (3,5 kPa). El electrodoméstico debe aislarse del sistema de tuberías de suministro de gas cerrando la válvula individual de cierre durante cualquier prueba de presión realizada en dicho sistema en la que las presiones de comprobación sean equivalentes o inferiores a 1/2 psi (3,5 kPa).

Todas las tuberías de suministro, excepto las especificadas, deberían regirse por el National Pipe Thread (NPT) (Estándar americano de uniones roscadas). Para las conexiones de tuberías, utilice un compuesto adhesivo homologado resistente a la acción del gas LP.

Este aparato ha sido diseñado para ser utilizado con el regulador de presión que se suministra con el aparato. Debe ser instalado en el conducto del gas delante de la entrada de la válvula distribuidora. El aparato ha sido diseñado para utilizarse con gas natural. Si desea utilizarlo con gas LP, debe efectuar una conversión, tal y como se describe en "Conexión del gas" (vea las figuras 17 y 18).

Este aparato ha sido diseñado para funcionar con una presión de 5 pulgadas de c.d.a. de gas natural o, en caso de convertirse para un uso con gas LP (propano o butano), 10 pulgadas de c.d.a. Asegúrese de que este electrodoméstico le es entregado adaptado al tipo de gas con el que lo va a utilizar. Este aparato ha sido preparado en fábrica para su uso con gas natu-

ral. Si desea utilizarlo con un tipo de gas diferente, antes de hacerlo, deberá ponerse en contacto con un técnico cualificado que tendrá que seguir los pasos de conversión.

La presión de suministro de gas natural al regulador de presión debería encontrarse entre 6 y 14 pulgadas de columna de agua o, en caso de que el electrodoméstico haya sido convertido al uso con gas LP, deberá encontrarse entre 11 y 14 pulgadas.

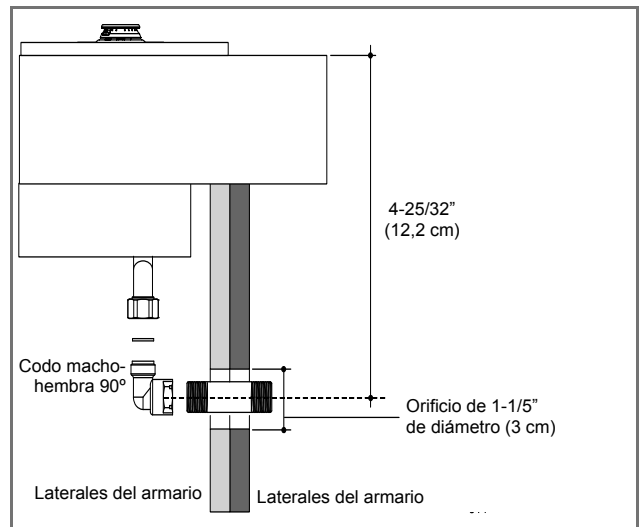
### Importante:

- **NO REUTILICE CONECTORES VIEJOS CUANDO INSTALE ESTA PLACA DE COCCIÓN.** Para reducir el riesgo o la posibilidad de fugas de gas, aplique cinta de teflón o materiales homologados para su uso con gas natural o LP en todas las conexiones de rosca. Aplique un fluido no corrosivo de detección de fugas en todas las juntas y acoples de la conexión de gas entre la válvula de cierre de la línea de suministro y la entrada de la placa de cocción. Revise periódicamente el sistema para detectar posibles fugas. Si aparecen burbujas alrededor de los acoplamientos y conexiones, quiere decir que hay una fuga. En caso de que ocurra, cierre la válvula de cierre de la línea de suministro, apriete las conexiones, abra la válvula de cierre de la línea de suministro y vuelva a examinar el sistema en busca de fugas. No utilice nunca una cerilla o una llama para comprobar si hay fugas de gas.
- **NUNCA APRIETE A MÁS DE 35 pies-libras DE TORQUE.**

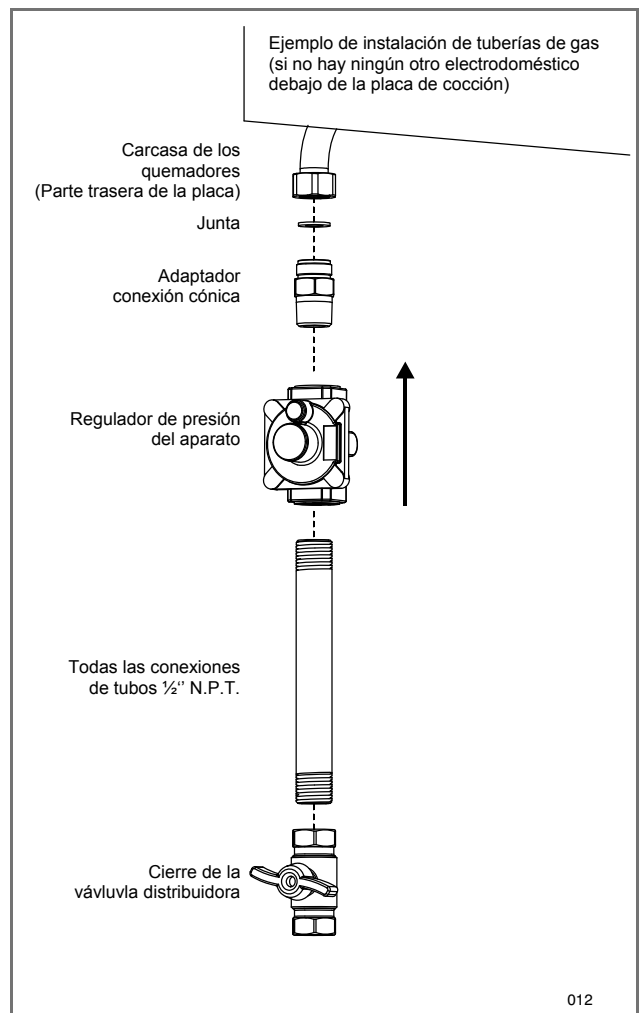
### Conexión del Gas

- Conecte el regulador de presión del aparato con la conexión macho de  $\frac{1}{2}$ " (ambos se suministran con el aparato).
- Efectúe la conexión de gas al interior del regulador de presión con la rosca macho de  $\frac{1}{2}$ ".
- Conecte el regulador de presión a las roscas de entrada de la válvula distribuidora de gas con las juntas que se suministran con el electrodoméstico. El regulador está marcado con una flecha que le indicará la dirección correcta del flujo de gas. Asegúrese de que el regulador del electrodoméstico está instalado con la flecha señalando hacia la entrada de la válvula distribuidora de gas y asegúrese también de que la parte superior del regulador está dirigida hacia la parte frontal del armario, de forma que se pueda acceder a ella fácilmente desde las puertas del armario.
- Conecte al suministro de gas una válvula de cierre que se encuentre en un lugar accesible para poder cerrar o abrir con facilidad el suministro de gas del electrodoméstico.
- Instale un acoplamiento entre el regulador y la válvula de cierre para completar la conexión.
- Asegúrese de que las juntas de conexión de los tubos del gas estén bien apretadas.
- Compruebe la alineación de las válvulas después de conectar la placa de cocción al suministro de gas, para asegurarse de que la tubería de distribución no se ha movido. Si estuviera mal alineada, podría hacer que el tubo del mando de la válvula friccionara con el panel de control, lo que podría provocar una fuga de gas en la válvula.

Si desea instalar un horno debajo de la placa de cocción, conecte la línea de suministro de gas tal y como se muestra en la figura 10. Respete el espacio inferior necesario para el armario.



**Figura 10.**



**Figura 11.**

**INSTALACIONES ALTERNATIVAS PARA CONECTAR EL ELECTRODOMÉSTICO AL SUMINISTRO DE GAS**  
**LA CONEXIÓN DEL SUMINISTRO DE GAS DEBE SER EFECTUADA POR UN TÉCNICO CUALIFICADO O UN INSTALADOR DE ELECTRODOMÉSTICOS DE GAS. La prueba de fugas debe ser llevada a cabo por el instalador, que tendrá que seguir las instrucciones suministradas.**

Excepto en caso de estar prohibido por las normativas locales u ordenanzas, para conectar este electrodoméstico al suministro de gas, puede utilizar un conector flexible de metal con certificación A.G.A. El conector debe tener un diámetro interior nominal no inferior al de una tubería de 1/2 NPT y no debe medir más de 1,52 m de largo. En cada extremo del conector se requiere un adaptador de conexión cónico 1/2 NPT x 1/2.

Si utiliza un conector flexible, asegúrese de que el regulador de presión del aparato y la válvula de cierre estén firmemente unidos a otras tuberías sólidas permanentes (ya sean del suministro de gas o de la entrada del electrodoméstico), de forma que queden bien fijas y estables. Vea las Figura 12.

**ATENCIÓN**

No intente acoplar un conector flexible a una rosca externa. Para efectuar la conexión es necesario utilizar adaptadores de conexión cónica.

Instalaciones en el Estado de Massachusetts:

1. La válvula de cierre debe ser una con conexión en "T".
2. El conector flexible de gas no debe medir más de 36 pulgadas de largo.
3. El producto no está homologado para ser instalado en dormitorios o baños a no ser que se disponga una instalación de ventilación directa.

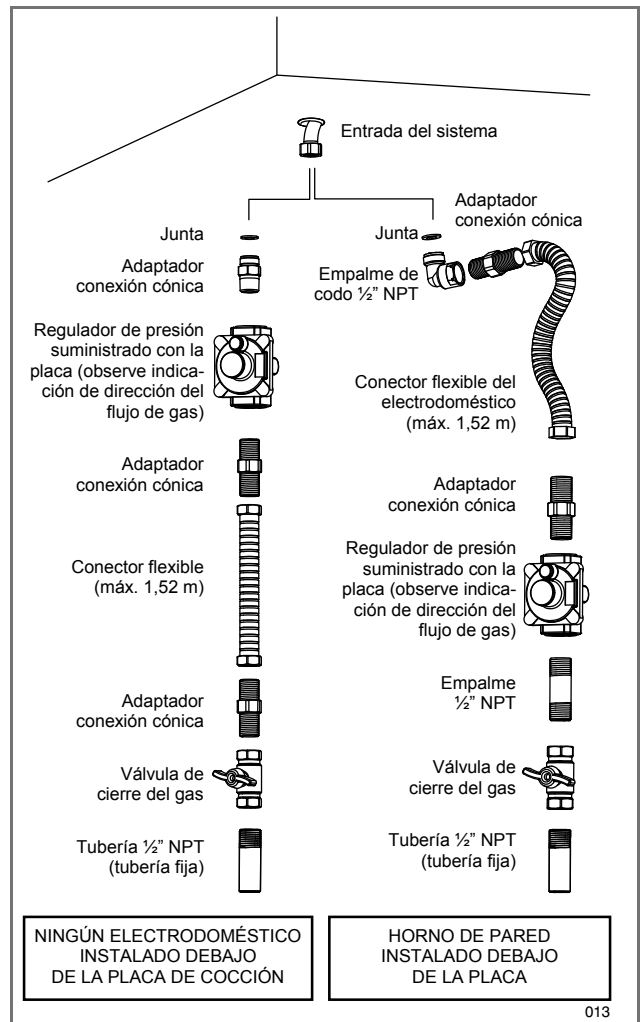


Figura 12.

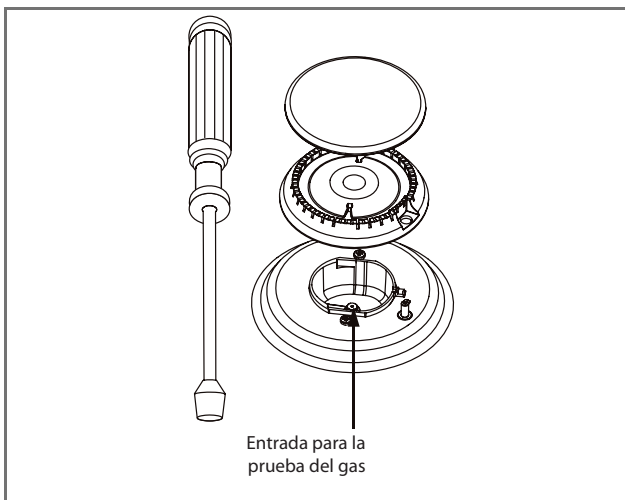
### Prueba de Presión

El aparato se debe desconectar del sistema de tuberías que suministran el gas cerrando la válvula manual individual de cierre siempre que se realice cualquier prueba de presión en dicho sistema en la que las presiones de comprobación sean equivalentes o inferiores a 1/2" PSIG (3,5 kPa).

El aparato, así como la válvula individual de cierre, deben desconectarse del sistema de tuberías del suministro de gas durante cualquier prueba de presión realizada en dicho sistema en la que las presiones de comprobación sobrepasen los 1/2" PSIG (3,5 kPa).

Cuando compruebe el funcionamiento del regulador, asegúrese de que la presión de suministro de gas natural se encuentre entre 6 y 14 pulgadas de columna de agua o, entre 11 y 14 pulgadas en caso de que el electrodoméstico haya sido convertido al uso con gas LP.

**LA PRUEBA DE PRESIÓN DEBERÁ REALIZARSE POR MEDIO DE LA ZONA DE CONEXIÓN DEL INYECTOR**



**Figura 13.**

#### ***Método de la prueba de presión***

- Retire la parrilla y la tapa del quemador
- Retire el difusor del gas de aluminio
- Retire provisionalmente los inyectores
- Conecte el instrumento de prueba de presión en la zona roscada del soporte del inyector (M6x0,75)
- Controle que la placa de cocción tiene la presión correcta
- Sujete el inyector que había quitado para hacer la prueba y vuelva a colocar las piezas en la posición correcta.

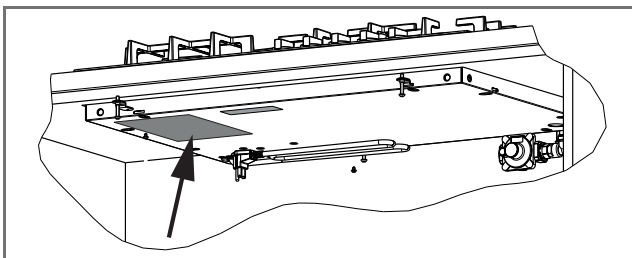
**Conexión Eléctrica - Requisitos**

Este electrodoméstico debe suministrarse con la tensión y la frecuencia adecuadas y debe conectarse a un circuito individual con una toma de tierra, protegido por un interruptor de circuito o por fusibles, que tenga la tensión de corriente indicada en la placa de datos técnicos del aparato. Le recomendamos que contacte con un electricista cualificado para que lleve a cabo la conexión de la placa de cocción. Cuando el electricista haya finalizado la instalación de la placa de cocción, haga que le muestre dónde puede desconectarla. Controle con la empresa de servicio público local las normativas que se aplican en su área. Si no instala la placa de cocción de acuerdo con las normativas vigentes, podría provocar situaciones de peligro. Si no hubiera normativas al respecto, la placa de cocción debe instalarse en conformidad con el Código eléctrico americano (National Electrical Code), ANSI/NFPA n. 70 (última edición). Puede solicitar una copia a:

National Fire Protection Association  
Battery march Park  
Quincy. MA 02269

En Canadá, la instalación de esta placa de cocción debe cumplir con las normativas del Código eléctrico canadiense (Canadian Electrical Code). Asegúrese de que la instalación de este producto en una casa móvil cumple con el Título 24 CFR, sección 3280 de las Normas de seguridad y construcción de viviendas prefabricadas o móviles estadounidenses (Manufactured Home Construction and Safety Standards). Si estas normas no son aplicables, debe cumplir las normas para casas prefabricadas: Manufactured Home Installations, ANSI A225.1 y Manufactured Home Installations, Sites and Communities y ANSI/NFPA 501 A o bien las normas locales vigentes. Puede solicitar una copia de la norma US Federal Standard en:

Office of Mobile Home Standards  
HUD Building  
451 7th Street, S.W.  
Washington, D.C. 24010



**Figura 13a. Localización de la placa de potencia**

**Conexión Eléctrica**

Para utilizar las partes eléctricas de la placa de cocción es necesario que estén conectadas a un suministro eléctrico y a un enchufe adecuados.



**ADVERTENCIA**

**Peligro de descarga eléctrica.**

El aparato debe conectarse a un enchufe de 3 clavijas con toma de tierra. No extraiga la clavija de la toma de tierra. No utilice un adaptador. No utilice alargadores. La inobservancia de estas instrucciones puede derivar en muerte, incendio o descarga eléctrica.



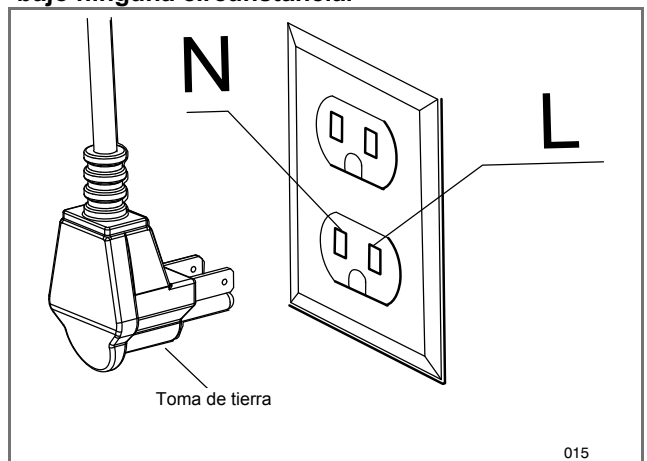
**Importante:**

**PARA SU SEGURIDAD PERSONAL ESTE APARATO DEBE ESTAR DEBIDAMENTE CONECTADO A UNA TOMA A TIERRA.**

El cable del suministro eléctrico de este aparato está dotado de un enchufe de 3 clavijas (con toma de tierra) que debe utilizarse con un enchufe de pared con toma de tierra (3 agujeros) y con una tensión doméstica estándar de 120 V y una frecuencia de 60 Hz. Si no dispone de un enchufe de 3 clavijas con toma de tierra, encargue a un técnico electricista que cambie el enchufe. Se puede colocar un adaptador de tierra para convertir el enchufe estándar hasta que pueda ser cambiado. El uso del adaptador es una solución temporal. El electricista deberá probar el enchufe para asegurarse de que cumple los requisitos.

**Conexión Eléctrica - Requisitos**

**No corte o retire la tercera clavija (la toma de tierra) del cable del suministro de energía eléctrica, bajo ninguna circunstancia.**



**Figura 14.**

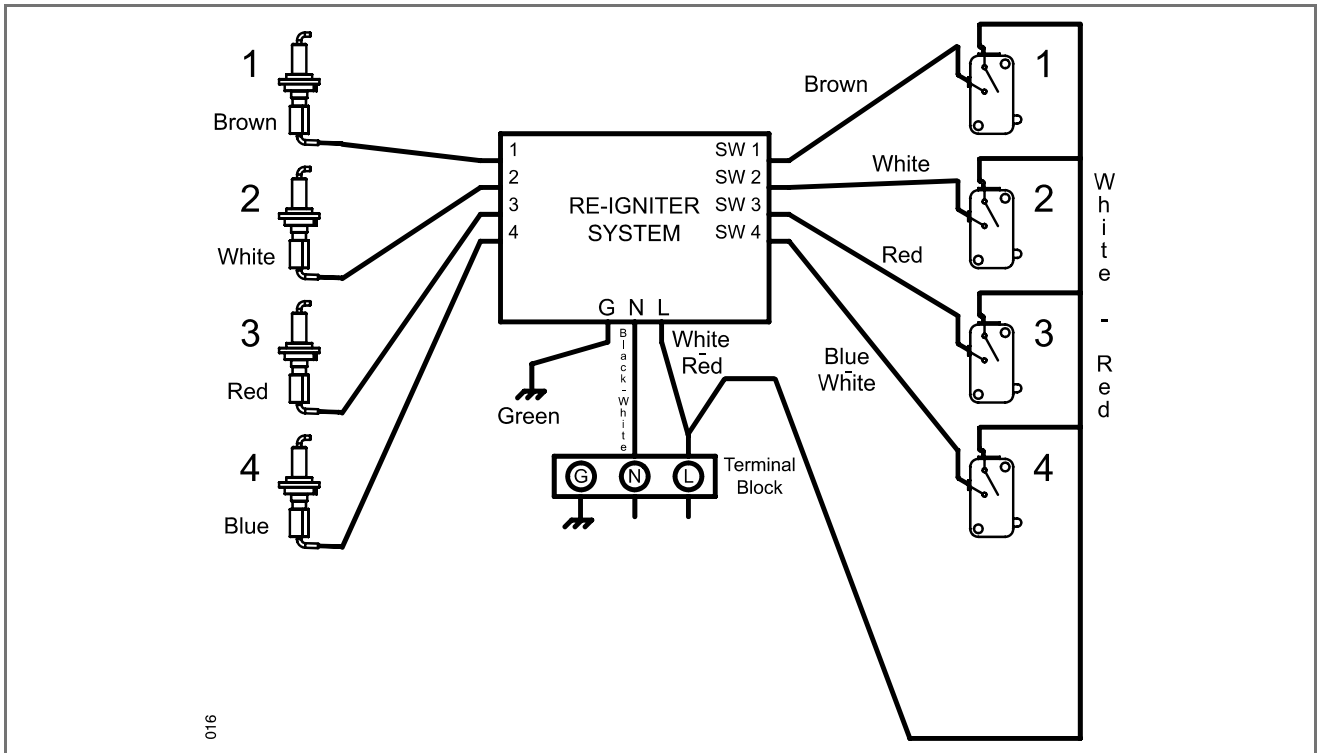


Figura 15. Diagrama eléctrico (4 zonas)

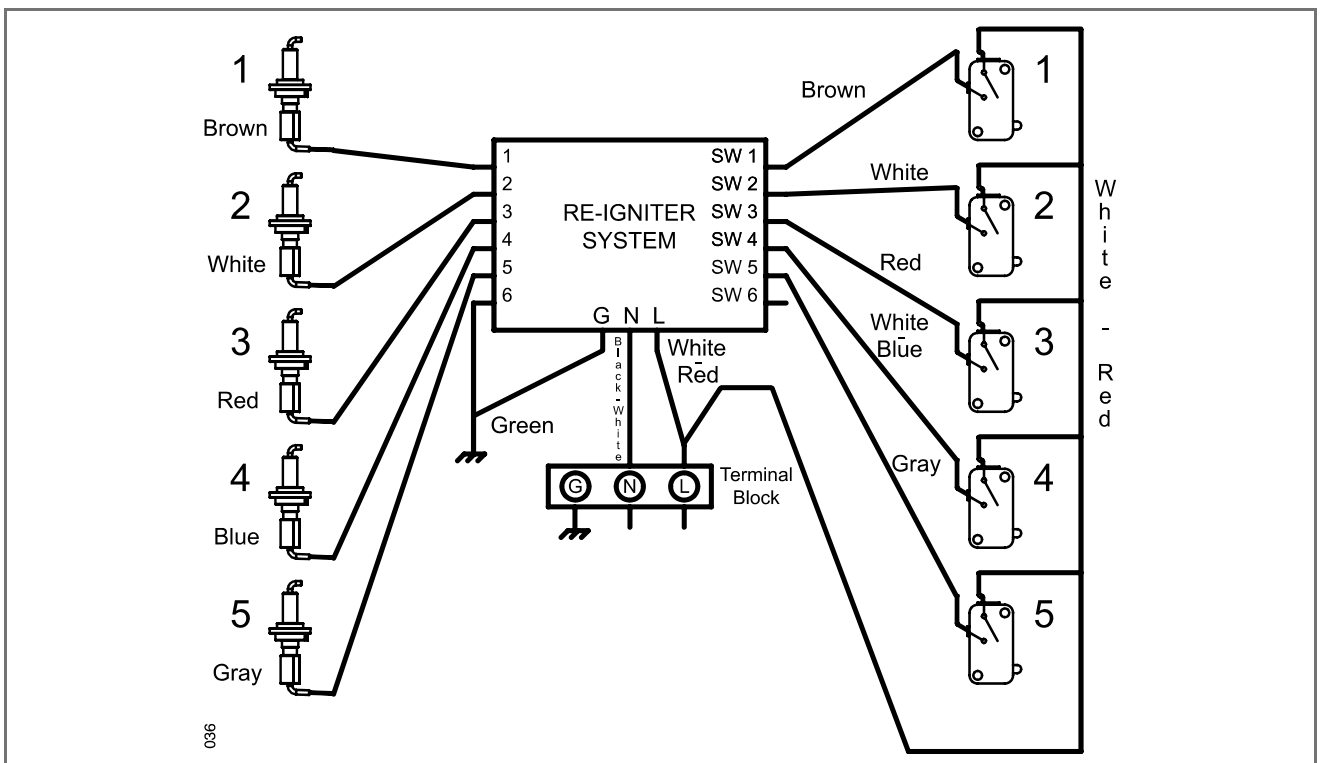


Figura 16. Diagrama eléctrico (5 zonas)



## Conversión a Gas LP o NG

### Conversión del Electrodoméstico para su Uso con Gas LP



#### ADVERTENCIA

La conversión a propano debe ser efectuada por un **INSTALADOR CUALIFICADO** (o una agencia homologada) de acuerdo con las instrucciones del fabricante y con las normas y requisitos de la autoridad pertinente. La inobservancia de tales instrucciones podría derivar en graves lesiones o en daños a la propiedad. La agencia homologada que lleva a cabo la conversión asume la responsabilidad de la operación.



#### ADVERTENCIA

Es necesario desconectar el suministro eléctrico y el de gas antes de la conversión.

El equipo ha sido configurado en fábrica para su uso con gas natural. Si desea efectuar la conversión para utilizarlo con gas LP (propano o butano), debe llevar a cabo las siguientes modificaciones:

#### Sustitución del inyector (una sola corona)

1. Quite las rejillas y las tapas de los quemadores
2. Quite los difusores de gas de aluminio
3. Suelte el inyector girando el desarmador 9-32" hacia la izquierda en sentido antihorario
4. Instale los inyectores en dotación con estos electrodomésticos en los quemadores apropiados. Los inyectores tienen un pequeño número grabado en un lado; este número codifica el diámetro del orificio y la correcta colocación del quemador (siga el dibujo de la "Posición de los inyectores")
5. Gire a la derecha en sentido horario para apretar (apriete con una torsión de 15 a 20 pulgadas-libras)
6. Sustituya todas las piezas siguiendo el orden al contrario
7. **Conserve los inyectores que ha quitado del electrodoméstico para un uso futuro**

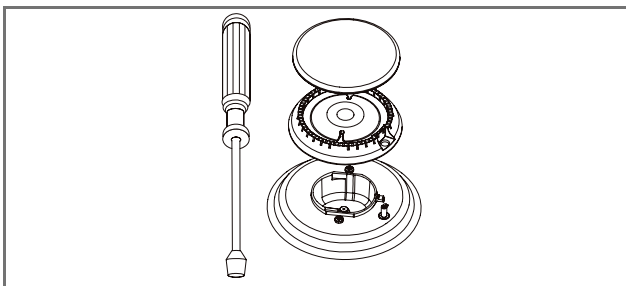


Figura 17.

#### Sustitución de los inyectores (quemadores de doble corona de combustión)

1. Quite las rejillas y las tapas de los quemadores
2. Quite los difusores de gas de aluminio
3. Quite los tres tornillos del difusor del gas (1)
4. Quite los dos tornillos de la tapa del inyector (2)
5. Suelte el inyector (A) girando el desarmador 9-32" hacia la izquierda en sentido antihorario;
6. Suelte el inyector girando la llave de estrecha (B) 9-32" hacia la izquierda en sentido antihorario
7. Instale los inyectores en dotación con estos electrodomésticos en los quemadores apropiados. Los inyectores tienen un pequeño número grabado en un lado; este número codifica el diámetro del orificio y la correcta colocación del quemador (siga el dibujo de la "Posición de los inyectores")
8. Gire a la derecha en sentido horario para apretar (apriete con un par de 15 a 20 pulgadas-libras)
9. Sustituya todas las piezas siguiendo el orden al contrario
10. **Conserve los inyectores que ha quitado del electrodoméstico para un uso futuro**

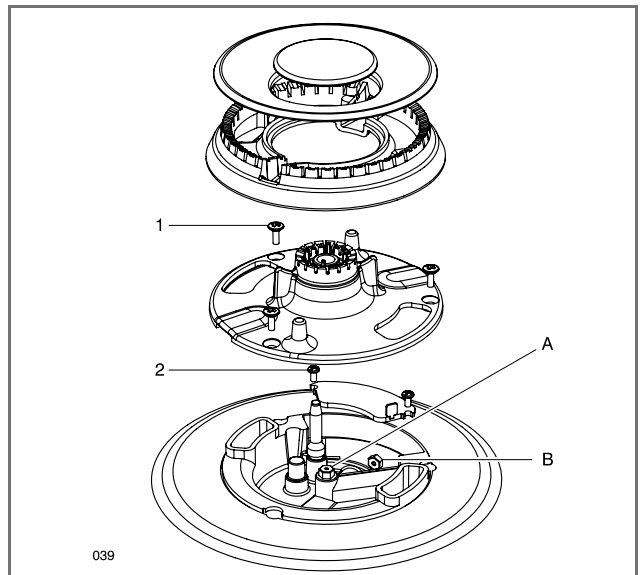


Figura 18.



Después de haber sustituido los inyectores ajuste los quemadores de combustión (véase “Graduación de la llama baja”). Controle el aspecto de la llama de todos los quemadores en los ajustes de HI-LO, si la llama es demasiado grande o demasiado pequeña, asegúrese de haber seguido todos los pasos correctamente.

**Conversión del regulador de presión a la posición LP (siguiendo la figura 20).**

### Conversión de los Electrodomesticos para Utilizarlos con Gas NG

Este electrodoméstico puede adaptarse al gas NG (gas natural) y para ello es preciso realizar cada una de las siguientes modificaciones:

1. Sustituya todos los inyectores siguiendo los pasos que se describen en la página anterior, observando los números grabados a un lado; estos números codifican el diámetro de los orificios y dan la correcta localización de los quemadores (siga el dibujo de la “Posición de los inyectores”)
2. Convierta el regulador de presión a la posición LP (siguiendo la ilustración de “Conversión del regulador de presión”);
3. Ajuste la llama del quemador (véase “Graduación de la llama baja”)

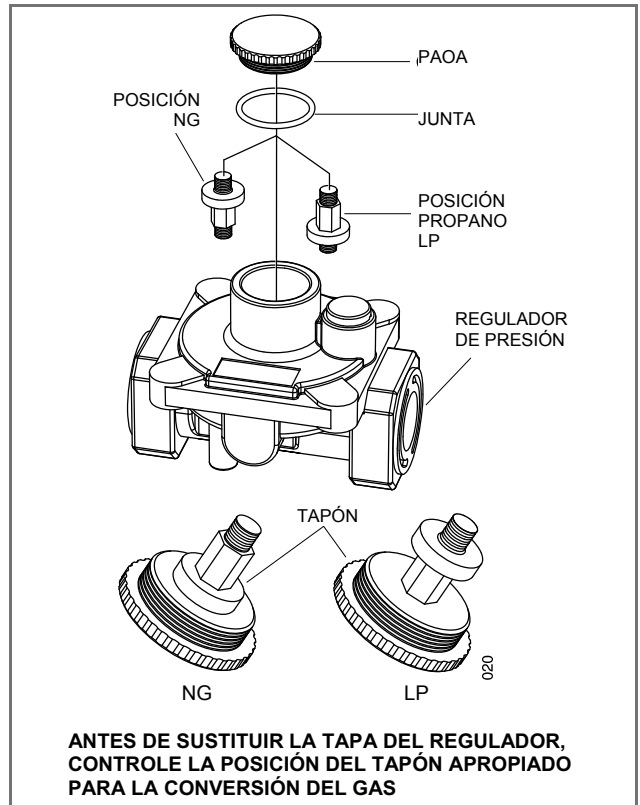
Controle el aspecto de la llama de todos los quemadores en los ajustes, si la llama es demasiado grande o demasiado pequeña, asegúrese que ha seguido todos los pasos correctamente.

### Conversión del Regulador de Presión

Este electrodoméstico se ha diseñado para usarse con gas natural (NG) o con gas LP. El regulador de la presión del gas que se suministra tiene que instalarse en la vía del gas delante de la acometida del colector. Ha sido preajustada para usarlo con los gases de los que se abastecen estos electrodomésticos. Para usarlo con un gas diferente es preciso convertirlo.

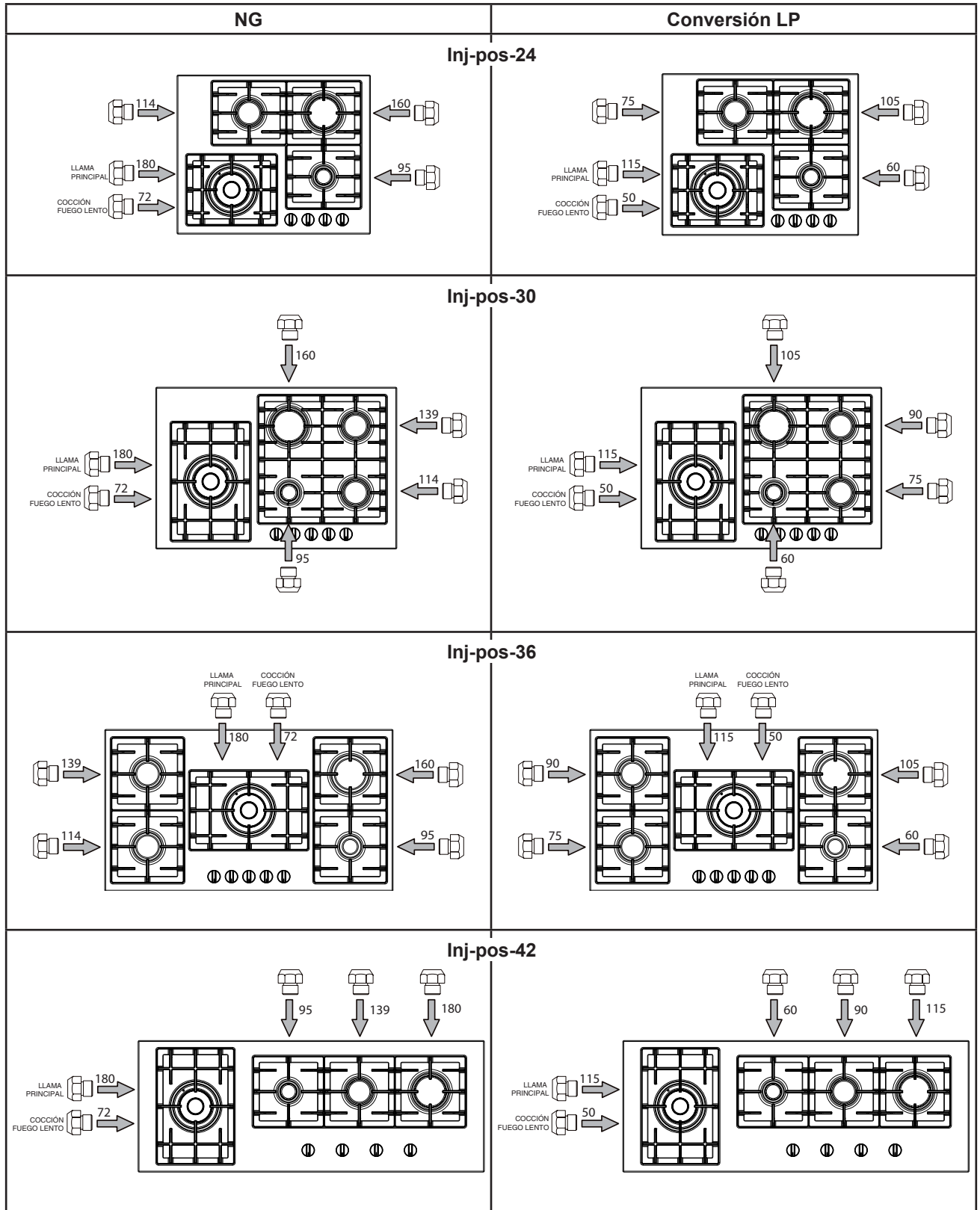
**Para convertir el regulador de presión siga las instrucciones que se recogen a continuación:**

- Desconecte todos las alimentaciones eléctricas y el interruptor de seguridad principal o la caja de fusibles.
- Desconecte el suministro del gas de la placa de cocina cerrando la válvula de cierre manual.
- Ajuste el regulador de presión siguiendo las siguientes instrucciones (véase la figura).
  1. Desenrosque la tapa del regulador.
  2. Desenrosque el tapón de conversión de plástico de la tapa girando por encima y por detrás del tornillo (sección transversal de la tapa para LP contra la tapa para NG). Véase las figuras de abajo.
  3. Sustituya el regulador de la tapa.



**Figura 20. Regulador de presión**

*Posición de los Inyectores*



### Graduación de la Llama Baja



#### PELIGRO

**No encienda los quemadores con cerillas: es peligroso. Utilice cerillas para encender los quemadores de la placa de cocción solo durante una emergencia.** Encienda una cerilla y acerque la llama al quemador que desee encender. Las cerillas más aconsejables son las de madera. Presione y gire el mando lentamente. Asegúrese de que está girando el mando que corresponde al quemador que desea encender.

**NOTA:** Si el quemador no se enciende a los cinco segundos, gire el mando hasta la posición de apagado y espere un minuto antes de volver a intentarlo.



#### ADVERTENCIA

Por favor, preste atención cuando trate de medir el cono interior de la llama. Podría quemarse.

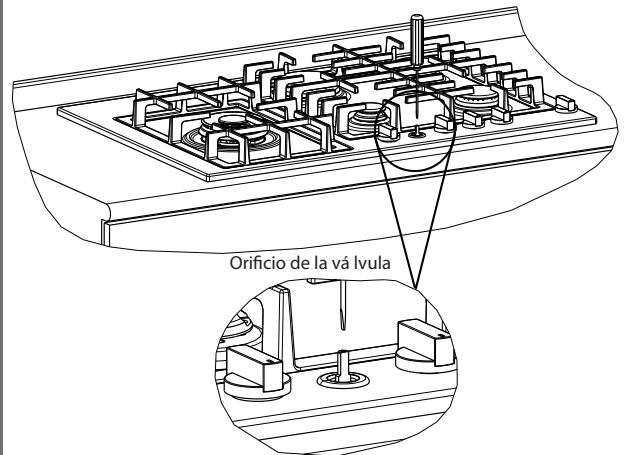
La placa de cocción se prepara en fábrica con una configuración de la llama baja y la llama media adaptadas a un uso con gas natural.

Si necesita cambiar la graduación o convertirla a LP, siga este procedimiento:

#### Ajuste de los quemadores con llama de una sola corona o doble coronas:

1. Encienda el quemador y gire el mando hasta graduar la llama en intensidad baja.
2. Retire el mando del vástago de la válvula.
3. Inserte un destornillador de punta fina en el orificio del centro del vástago de la válvula y ajuste la punta del destornillador al orificio.
4. Gire el destornillador dentro del vástago para graduar la intensidad de la llama:
  - gire en el sentido de las agujas del reloj para reducir la llama
  - gire en el sentido contrario a las agujas del reloj para aumentarla.
5. Cuando haya acabado, vuelva a colocar el mando.

#### QUEMADORES CON LLAMA DE UNA SOLA CORONA O DOBLE CORONAS



- Gire a la izquierda para aumentar la intensidad de la llama
- Gire a la derecha para reducir la intensidad de la llama

**Figura 21. Graduación de la llama**

Si ha realizado el ajuste de manera correcta, obtendrá una llama azul estable de intensidad mínima. El último paso para comprobar que ha hecho bien el ajuste de la graduación es girar el mando de la intensidad más alta a la más baja varias veces, sin apagar la llama. El ajuste que ha efectuado en la llama baja le proporcionará automáticamente el ajuste adecuado de la llama media. Una vez completados los pasos de conversión, compruebe la llama de todos los quemadores con el mismo procedimiento: pasando de la intensidad máxima a la mínima.

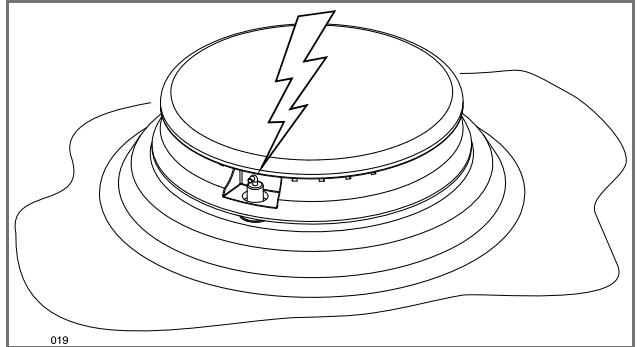
Si la llama le parece demasiado fuerte o demasiado débil, repita los pasos de conversión para asegurarse de que los ha seguido correctamente.

**NOTA:**

**Para obtener el ajuste mínimo correcto con gas LP, gire en el sentido horario un destornillador de hoja delgada introducido en la cavidad correspondiente al centro del vástago hasta apretar a fondo la válvula.**

### Ignición eléctrica del gas

El quemador de gas utiliza un dispositivo de ignición eléctrica colocado cerca de cada quemador, que por medio de una chispa prende fuego y asegura automáticamente el encendido.



**Figura 22. Llamas del Quemador**

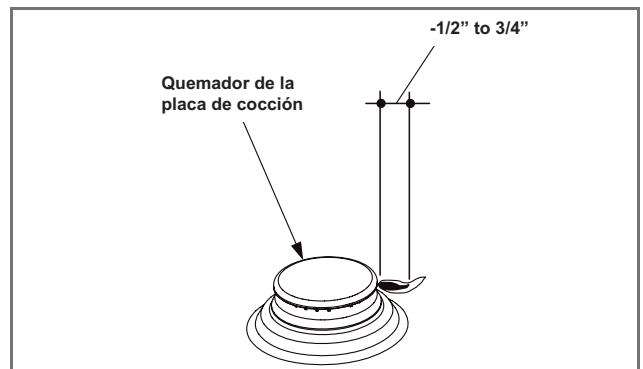
**Ver el Manual de uso & mantenimiento para una explicación mejor del funcionamiento de la placa de cocción.**

### Las llamas del quemador

Encienda todos los quemadores. Las llamas deberían ser de color azul con un toque de amarillo.

No deberían agitarse o alejarse del quemador.

El cono interior de la llama debería ser de entre  $\frac{1}{2}$ " (1,2 cm) y  $\frac{3}{4}$ " (1,9 cm) de largo.



**Figura 22. Llamas del Quemador**







***EuroChef USA, Inc.***

41 Mercedes Way - Suite 25

Edgewood, NY 11717

Phone (866) 844-6566

09VR6710 ed 10-13