

FRIGIDAIRE

Factory Parts Catalog

Product No.	FGEC3048US
	949163353
Series	30" elec
Color	stainless
Market	North America
Wiring Diagram	A14025201
Owner's Guide	A01704202
Installation Instructions	A01705002

Frigidaire

P.O. BOX 8020
CHARLOTTE, NC 28262

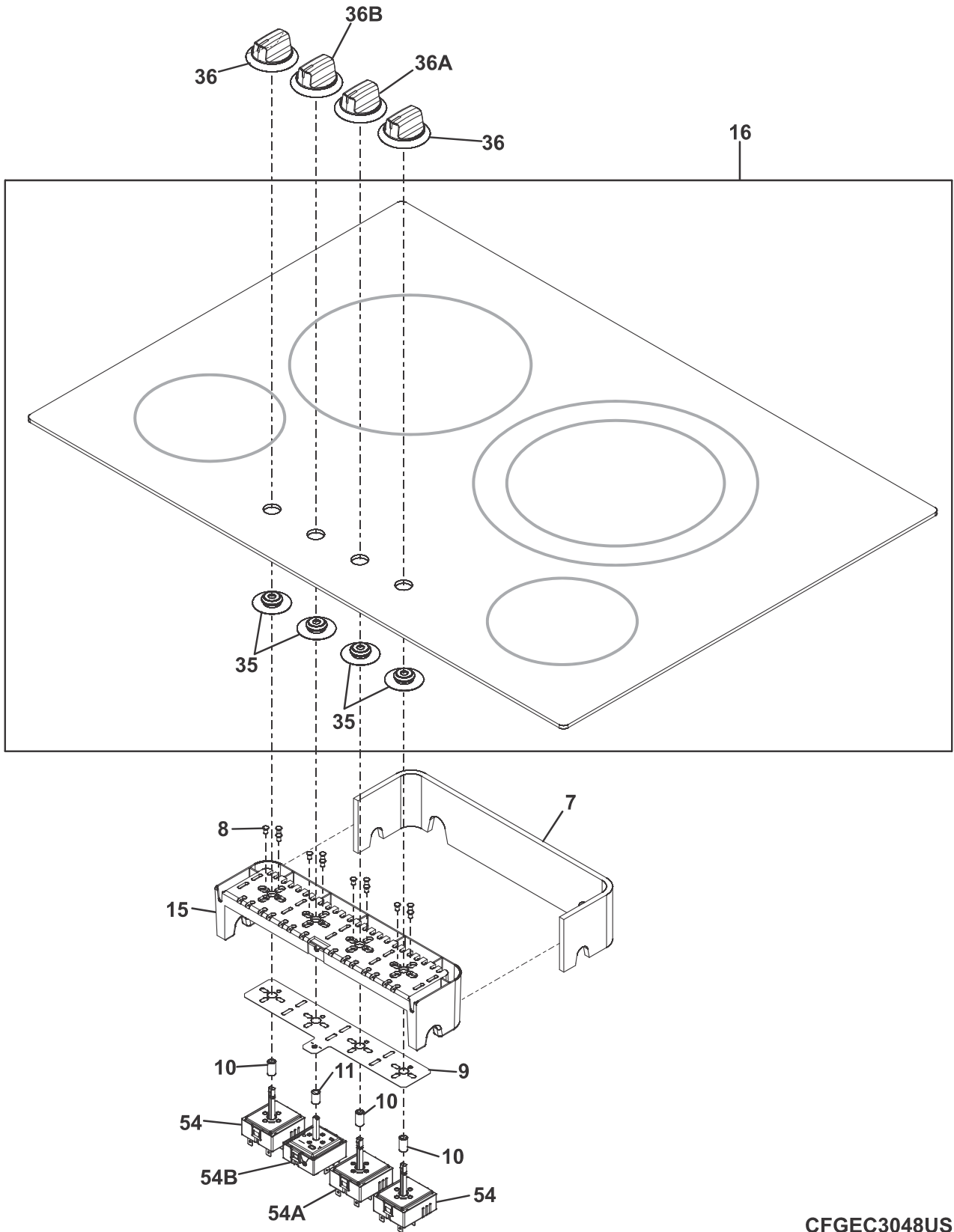
**This Publication Replaces
Publication # 5995704664**

Publication No.
5995705729
18/07/26
(EN/SERVICE/ECL)
377

30" ELECTRIC COOK-TOP

Model No.
FGEC3048U

CONTROL PANEL

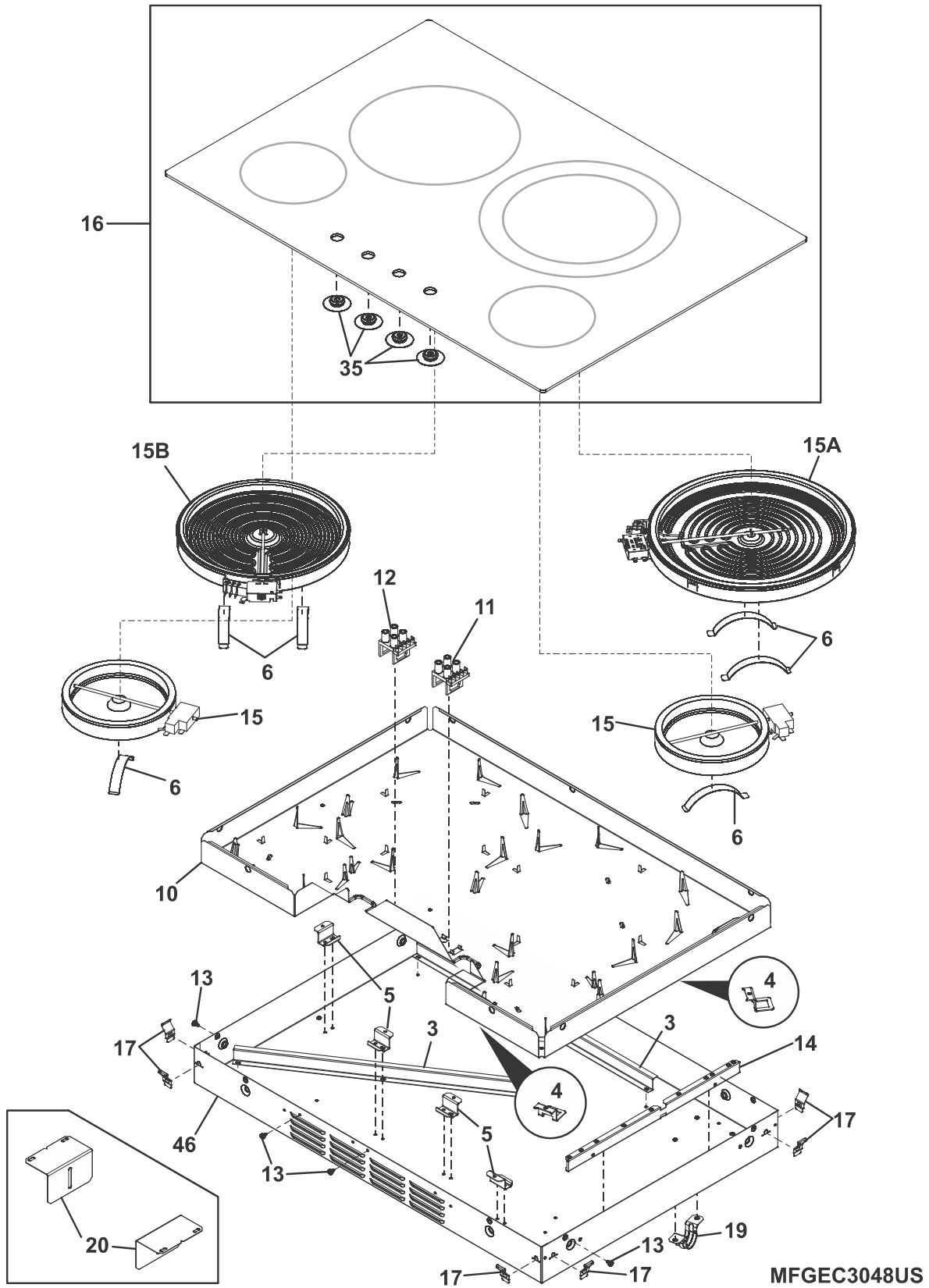


CFGEC3048US

CONTROL PANEL

POS. NO	PART NO.	DESCRIPTION
7	5304518248	Insulation, control box
8	319224001	Screw, switch mtg., M4 x 7
9	5304518249	Bracket, grounding, control box
*	305452800	Screw, ground
10	5304515131	Spacer, silicone seal, switch shaft
11	5304518250	Spacer, turbo boil, silicone seal, switch shaft
15	5304518251	Control Box, plastic, 4 zone
16	305638976	Maintop, assembly, black/stainless, w/4 bushings
35	5304515130	Bushing, knob, sealing
36	5304518252	Knob, control, stainless, single element
36A	5304518253	Knob, control, stainless, dual element
36B	5304518254	Knob, control, stainless, turbo boil
54 #	305458905	Switch, infinite, single control
54A#	318191001	Switch, infinite, dual control
54B#	5304518255	Switch, infinite, turbo boil

MAIN TOP/SURFACE UNITS



MAIN TOP/SURFACE UNITS

POS. NO	PART NO.	DESCRIPTION
3	387683500	Support, burner box
4	387683300	Bracket, surface element
*	5304462994	Screw, 8-32 x 5/16
5	5304518258	Bracket, support, Z style
6	387372900	Spring, surface element
10	5304518259	Box, support, inner, element
11 #	387812005	Light Assembly, indicator, hot surface
12 #	387812006	Light Assembly, indicator
13	330447900	Screw, B4, 2 x 9, 5
14	5304518260	Support, beam
*	305376101	Screw, bracket, surface element
15 #	374063522	Element, surface, 6", 1200W
15A#	318198935	Element, surface, 9"/12", 1200W/1800W, dual radiant
15B#	316530001	Element, surface, 9", 3200W, turbo boil
16	305638976	Maintop, assembly, black/stainless, w/4 bushings
17	387174602	Bracket, spring, cooktop mtg.
*	305376102	Screw, (4)
19	318389600	Bracket, conduit mtg.
20	5304518261	Bracket, retainer, main top
*	305309606	Screw, (2)
35	5304515130	Bushing, knob, sealing
46	5304518262	Box, cooktop, outer
* #	5304518256	Box & wires assy
* #	5304518257	Harness, wiring, main
*	318163601	Cleaner-cooktop
*	305452800	Screw, ground
*	305351200	Rivet, 3, 2 x 6

WIRING DIAGRAM

