

24" Electric Cooktop

EI24EC15KS

The Electrolux 24" electric cooktop delivers the flexibility to cook with any type or size of cookware. The stainless steel trim in contrast with the sleek cooking surface will make a bold statement on its own or installed above the Electrolux 24" wall oven.



Features

Black Ceramic Glass Smooth Top is elegant and easy to clean

Stainless Steel Trim Finish at the front and rear enhances the overall appearance

The Expandable Element provides flexibility in the size of cookware you can use

4 Cooking Zones that can accommodate multiple sized cookware

Rotary Controls allows the power and heat to be controlled easily

This cooktop can be installed stand alone or over an Electrolux wall oven to provide greater installation options. Refer to the cooktop installation instructions for details.

Element Specifications

1 x 5-8" - 750W/2200 watt
Expandable Element

1 x 7" - 1800 watt Element

2 x 6" - 1200 watt Element



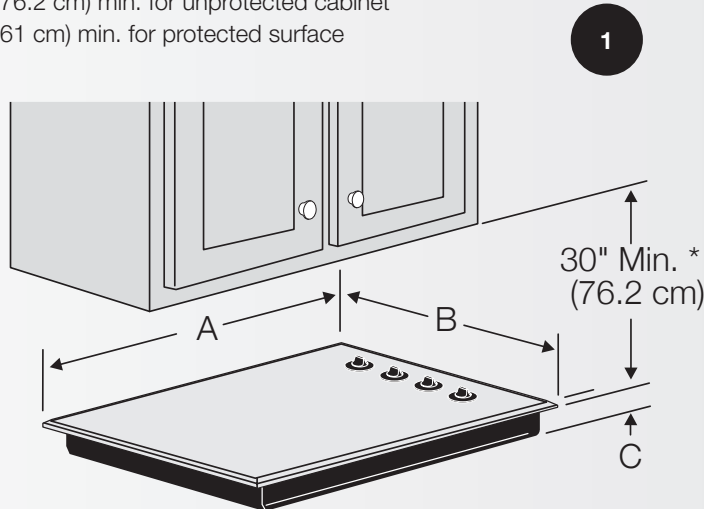
24" Electric Cooktop

EI24EC15KS

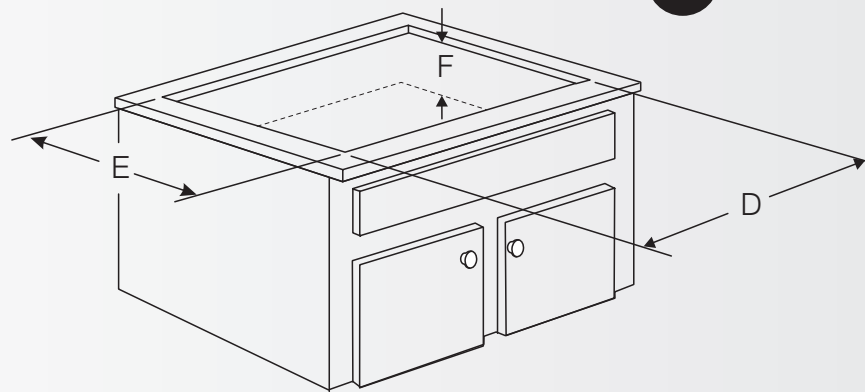


Cooktop Dimensions

* 30" (76.2 cm) min. for unprotected cabinet
 24" (61 cm) min. for protected surface



Cutout Dimensions



IMPORTANT INSTALLATION INFORMATION

All electric cooktops run off a single phase, three-wire or four-wire cable, 240/208 volt, 60 hertz, AC only electrical supply with ground.

Please note minimum distances between cooktop and adjacent and overhead cabinetry is 30" (76.2cm).

1) Cooktop Dimensions

MODEL	EI24EC15KS
A. LENGTH	24 (61.0)
B. WIDTH	21 3/8 (54.4)
C. DEPTH	2 5/8 (6.7)

All dimensions are in inches (cm).

2) Cutout Dimensions

MODEL	EI24EC15KS
D. LENGTH MIN.	23 (58.5)
D. LENGTH MAX.	23 1/4 (59.0)
E. WIDTH MIN.	20 1/4 (51.4)
E. WIDTH MAX.	20 1/2 (52.1)
F. DEPTH BELOW COOKTOP	5 (12.7)

All dimensions are in inches (cm).