



IN HARMONY WITH NATURE,
YOUR LIFE, AND YOU.

Blomberg
seit 1883

24" Compact Front Load Washing Machine

WM72200W



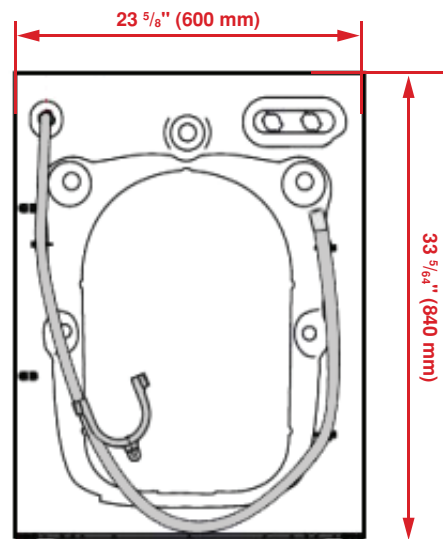
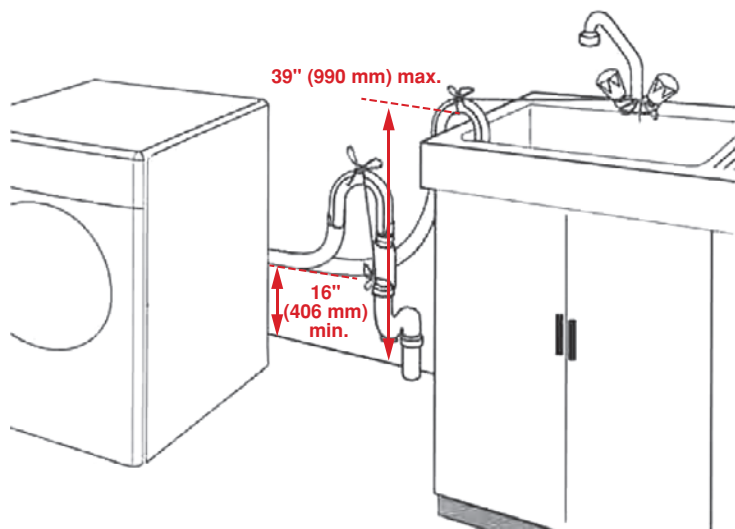
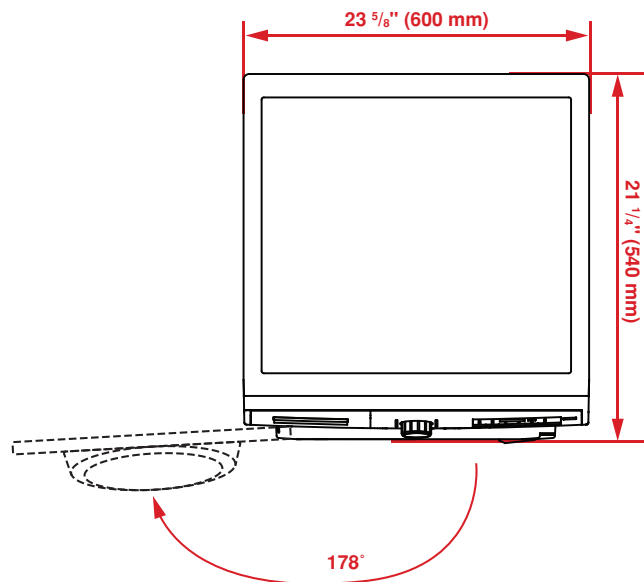
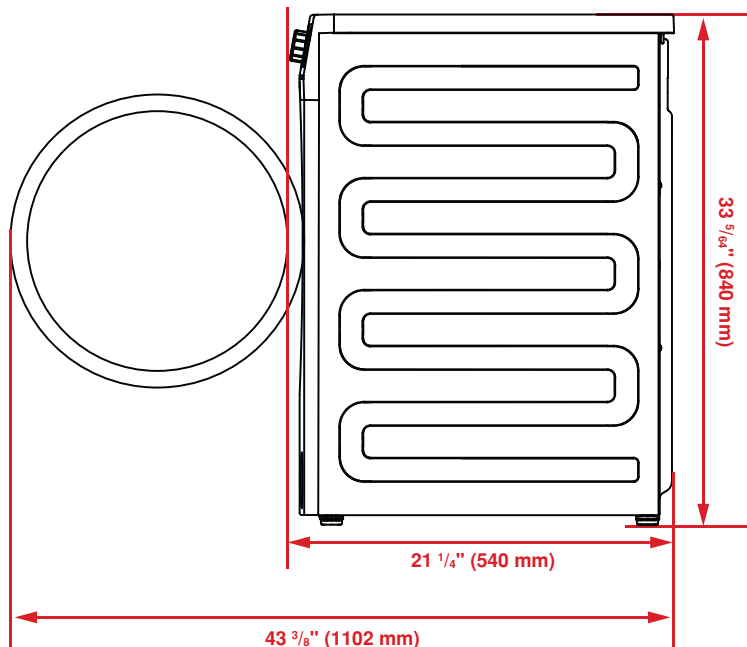
FEATURES

- Compact 24" washer, designed to save space
- Optimal Inverter Technology provides quiet, efficient, and durable performance
- Woolmark Apparel Care certified
- Tub Sanitize cycle, powered by steam, maintains a fresh interior for cleaner clothes
- Allergen cycle, powered by steam, reduces allergy triggers such as pet dander
- AntiCrease+ function uses steam to prevent wrinkles by tumbling clean clothes after cycle has finished
- Organic Wash cycle improves the performance of organic detergent
- Down Wear cycle easily cleans down jackets, vests, and comforters

| GENERAL | |
|-----------------------------------|---|
| Capacity | 1.95 cu. ft. |
| Washing Load Capacity | 15.4 lbs. (7 kg) |
| Style | Front Loading |
| Maximum Spin Speed | 1,200 RPM |
| Variable Spin Speed | Yes |
| Automatic Temp. Control | Yes |
| Control | Digital Display |
| Delay Time | 0–19 hours |
| Remaining Time Indicator | Yes |
| Drum Material | Stainless Steel |
| Detergent | Liquid and Powder |
| Automatic Water Adjustment System | Yes |
| Overflow Safety | Yes |
| Adjustable Leveling Legs | 4 |
| FUNCTIONS | |
| Heavy Soil | Yes |
| Soak | Yes |
| Extra Rinse | Yes |
| AntiCrease+ | Yes |
| Child Lock | Yes |
| PROGRAMS | |
| Number of Programs | 15 |
| Cotton / Normal | Yes |
| Perm Press | Yes |
| Heavy Duty | Yes |
| Mixed Fabric | Yes |
| Allergen | Yes |
| Rinse | Yes |
| Spin + Drain | Yes |
| Tub Sanitize | Yes |
| Hand Wash / Wool | Yes |
| Down Wear | Yes |
| CoolClean | Yes |
| Delicates / Dark | Yes |
| Sportswear | Yes |
| Organic Wash | Yes |
| Quick Wash | Yes |
| FINISHES | |
| Unit | White with Chrome Door |
| TECHNICAL FEATURES | |
| Motor | Optimal Inverter |
| Voltage / Frequency | 120 V / 60 Hz |
| Rated Current Amps | 10 Amp |
| Pairs with | Dryer: DV17600W |
| Plug | Into Wall Receptacle |
| ENVIRONMENTAL STANDARDS | |
| ENERGY STAR® Qualified | Yes |
| DIMENSIONS | |
| Dimensions (H x W x D) | 33 5/64 x 23 5/8 x 21 1/4 in. (84 x 60 x 54 cm) |
| Packed Dim. (H x W x D) | 35 1/32 x 26 3/16 x 24 7/32 in. (89 x 66.5 x 61.5 cm) |
| Product Weight | 156.5 lbs. (71 kg) |
| Packed Weight | 163.1 lbs. (74 kg) |

24" Compact Front Load Washing Machine

WM72200W



Required Minimum Air Gap Clearance:

- 1/2" (13 mm) Top
- 1/2" (13 mm) Sides
- 1/2" (13 mm) Back

NOTE TO THE INSTALLER: All height, width, and depth dimensions are shown in inches (as well as metric). Beko U.S., Inc. reserves the absolute and unrestricted right to change product materials and specifications, at any time, without notice. Please visit our website at www.BlomborgAppliances.com or call 888.352.2356 to verify the latest specifications with final dimensional data and other details prior to installation and making a cutout. Applicable product limited warranty information may be found in accompanying product materials, or you may contact your account manager for further details. Proper installation is the responsibility of the installer. Product failure due to improper installation is not covered under the Limited Warranty.

IN HARMONY WITH NATURE, YOUR LIFE, AND YOU.