



## LUGANO WALL-MOUNT

TECHNE SERIES



LED light with Dimmer and Perimeter Aspiration



Glass Touch Control

The pairing of glass and brilliant stainless steel, make it ideal for any kitchen and will blend perfectly with other appliances. Perimeter Aspiration technology helps to achieve Top Performance by delivering more powerful and efficient fume extraction, plus it reduces noise. Available in 30" & 36" widths, Lugano includes a powerful 600 CFM blower, LED lighting with dimmable feature and glass capacitive touch controls.

### Dimensions | Models

30" W x 19 11/16" D x 5" H | ELG630S3  
LUGANO 30"

36" W x 19 11/16" D x 5" H | ELG636S3  
LUGANO 36"



AMBIENT LIGHT



TOP PERFORMANCE



PERIMETER ASPIRATION



DIM-LIGHT



HUSH



CRS  
CFM REDUCTION

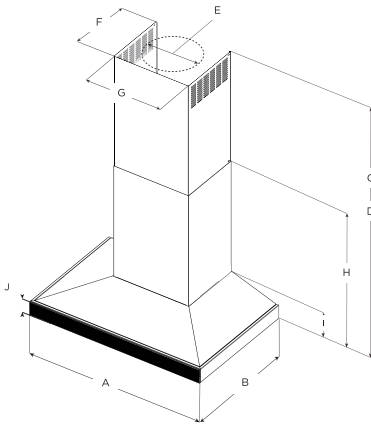


LED LIGHT

## FEATURES

Size (in) & Type	30" or 36" wide Wall-Mount Chimney
Finish	Stainless Steel with Black Glass
Controls	Touch Control 3S+ Booster
Illumination	2 LED Premium Dimmable Lights
Installation Type	Ducted or Recirculating with Installation Kit (sold separately)
Blower Type	Speed 1: 160 CFMs Speed 2: 280 CFMs Speed 3: 470 CFMs Speed 4: 600 CFMs
Noise (sones):	Min: 2.03, Max: 8 Sones
Filter Type	Aluminum Mesh Filter + Perimeter Aspiration
Duct Transition	Top Round 6"
Electrical	120V - 60 Hz 460 Watt at 3.7 Amp

## Line Drawing



	Models	
	ELG630S3	ELG636S3
A	30" (76 cm)	36" (91.2 cm)
B	19 1/8" (50.5 cm)	
C*	Max: 42 1/4" (107.3 cm) Min: 28 1/4" (71.8 cm)	
D**	Max: 38 1/4" (98.3 cm) Min: 24 1/4" (62.5 cm)	
E	6" (15.2 cm)	
F	10 3/4" (26.8 cm)	
G	13 1/2" (33.1 cm)	
H	23 3/4" (60.8 cm)	
I	4 1/4" (12.6 cm)	
J	2 1/4" (6 cm)	

\* Ductless (Recirculating) version  
\*\* Ducted version

## Accessories

**Optional Recirculating Kit**  
CODE: KIT0141925

**Optional Long Chimney Extension**  
CODE: KIT02785

## PLUS

**AMBIENT LIGHT**

Elica studies on hood lighting leaves no stone unturned. Here we have thought about products not only able to light the cooktop, but the entire kitchen space. And so the hood is transformed: from a kitchen appliance to a true lighting element. Considering the design of Elica hoods, it is not hard to imagine how this option is unique, and represents one extraordinary point of strength for us.

**DIM-LIGHT**

The Dimmer allows you to adjust the brightness of the light as you wish. With Elica, lighting is customized in a discreet, personal and practical way, in order to contribute in creating the perfect kitchen atmosphere.

**TOP PERFORMANCE**

Excellent performance for models equipped with this plus. High fume capturing capacity with an average aspiration range of 600 CFMs. With a noise level between 60-65 db(A) at maximum speed (reference point varies based on the hood category).

**HUSH SYSTEM**

An exclusive sound deadening technology that effectively reduces sound levels by over 35%, compared to typical range hoods.

**PERIMETER ASPIRATION**

First developed by Elica, this technology literally turned the market 45 degrees and opened the door to hoods that could be mounted on the wall like picture frames. The technology draws air through a narrowed channel around a face plate, which increases suction, without increasing blower speed or energy consumption.

**CFM REDUCTION**

CFM Reduction System (CRS), is an exclusive feature to Elica hoods, which enables the installer to reduce the maximum blower CFM, to meet local code requirements.

**LED LIGHT**

LED lighting is undoubtedly the smartest solution in terms of energy saving. Expected life time of over 20,000 hours, represents the most remarkable advantage of LED light bulbs.

## Consumable Parts

**Charcoal filter Replacement**  
CODE: KIT0141918

**Grease Filter Replacement**  
CODE: GF04YB

Consumable parts are sold in units of one (1). Order accordingly.