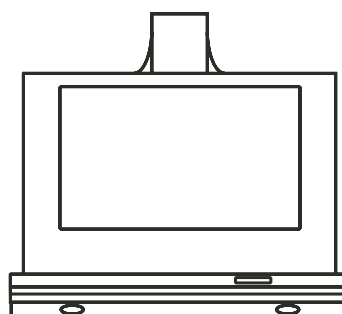


Use, Care, and Installation Guide
Guide d'utilisation, d'entretien et d'installation
Guía de instalación, uso y mantenimiento

GLIDE

Design Team Elica



READ AND SAVE THESE INSTRUCTIONS
LISEZ CES INSTRUCTIONS ET CONSERVEZ-LES
LEA Y GUARDE ESTAS INSTRUCCIONES

WWW.ELICA.COM

EN	Contents	page	2
FR	Sommaire	page	14
ES	Contenido	página	26

English

Contents

Important safety Notice	3
Electrical & Installation requirements	4
Electrical requirements.....	4
Before installing the hood.....	4
List of Materials.....	5
Parts supplied	5
Parts not supplied	5
Dimensions and Clearances	6
Ducting Options and Examples.....	7
Venting methods	7
Preparation	7
Installation.....	8
Description of the hood & Controls	11
Controls.....	12
Maintenance	13
Cleaning.....	13
Grease Filter	13
Replacing the light bulb.....	13

**APPROVED FOR RESIDENTIAL APPLIANCES
FOR RESIDENTIAL USE ONLY
READ AND SAVE THESE INSTRUCTIONS**

PLEASE READ ENTIRE INSTRUCTIONS BEFORE PROCEEDING.

INSTALLATION MUST COMPLY WITH ALL LOCAL CODES.

IMPORTANT: Save these Instructions for the Local Electrical Inspector's use.

INSTALLER: Please leave these Instructions with this unit for the owner.

OWNER: Please retain these instructions for future reference.

Safety Warning: Turn off power circuit at service panel and lock out panel, before wiring this appliance.

Requirement: 120 V AC, 60 Hz. 15 or 20 A Branch Circuit

READ AND SAVE THESE INSTRUCTIONS

Important safety Notice

CAUTION

FOR GENERAL VENTILATING USE ONLY. **DO NOT USE TO EXHAUST HAZARDOUS OR EXPLOSIVE MATERIALS OR VAPOURS.**

WARNING

TO REDUCE THE RISK OF FIRE, ELECTRIC SHOCK, OR INJURY TO PERSONS, OBSERVE THE FOLLOWING:

- A. Use this unit only in the manner intended by the manufacturer. If you have questions, contact the manufacturer.
- B. Before servicing or cleaning the unit, switch power off at service panel and lock service panel disconnecting means to prevent power from being switched on accidentally. When the service disconnecting means cannot be locked, securely fasten a prominent warning device, such as a tag, to the service panel.
- C. Installation Work and Electrical Wiring Must Be Done By Qualified Person(s) In Accordance With All Applicable Codes & Standards, Including Fire-rated Construction.
- D. Sufficient air is needed for proper combustion and exhausting of gases through the flue (Chimney) of fuel burning equipment to prevent back-drafting. Follow the heating equipment manufacturers guideline and safety standards such as those published by the National Fire Protection Association (NFPA), the American Society for Heating, Refrigeration and Air Conditioning Engineers (ASHRAE), and the local code authorities.
- E. When cutting or drilling into wall or ceiling, do not damage electrical wiring and other hidden utilities.
- F. Ducted systems must always be vented to the outdoors.

CAUTION

To reduce risk of fire and to properly exhaust air, be sure to duct air outside - do not vent exhaust air into spaces within walls, ceilings, attics, crawl spaces, or garages.

WARNING

TO REDUCE THE RISK OF FIRE, USE ONLY METAL DUCT WORK.

Install this hood in accordance with all requirements specified.

WARNING

To Reduce The Risk Of Fire Or Electric Shock, Do Not Use This Hood With Any External Solid State Speed Control Device.

WARNING

TO REDUCE THE RISK OF A RANGE TOP GREASE FIRE.

- a) Never leave surface units unattended at high settings. Boilovers cause smoking and greasy spillovers that may ignite. Heat oils slowly on low or medium settings.
- b) Always turn hood ON when cooking at high heat or when flambeing food (I.e. Crepes Suzette, Cherries Jubilee, Peppercorn Beef Flambe').
- c) Clean ventilating fans frequently. Grease should not be allowed to accumulate on fan or filter.
- d) Use proper pan size. Always use cookware appropriate for the size of the surface element.

WARNING

TO REDUCE THE RISK OF INJURY TO PERSONS, IN THE EVENT OF A RANGE TOP GREASE FIRE, OBSERVE THE FOLLOWING:

- a) SMOTHER FLAMES with a close-fitting lid, cookie sheet, or other metal tray, then turn off the gas burner or the electric element. BE CAREFUL TO PREVENT BURNS. If the flames do not go out immediately, EVACUATE AND CALL THE FIRE DEPARTMENT.
- b) NEVER PICK UP A FLAMING PAN - you may be burned.
- c) DO NOT USE WATER, including wet dishcloths or towels - a violent steam explosion will result.
- d) Use an extinguisher **ONLY** if:
 - 1) You know you have a class ABC extinguisher, and you already know how to operate it.
 - 2) The fire is small and contained in the area where it started.
 - 3) The fire department is being called.
 - 4) You can fight the fire with your back to an exit.

OPERATION

a. Always leave safety grills and filters in place. Without these components, operating blowers could catch onto hair, fingers and loose clothing.

The manufacturer declines all responsibility in the event of failure to observe the instructions given here for installation, maintenance and suitable use of the product. The manufacturer further declines all responsibility for injury due to negligence and the warranty of the unit automatically expires due to improper maintenance.

Electrical & Installation requirements

Electrical requirements

IMPORTANT

Observe all governing codes and ordinances.

It is the customer's responsibility:

To contact a qualified electrical installer.

To assure that the electrical installation is adequate and in conformance with National Electrical Code, ANSI/NFPA 70 — latest edition*, or CSA Standards C22.1-94, Canadian Electrical Code, Part 1 and C22.2 No.0-M91 - latest edition** and all local codes and ordinances.

If codes permit and a separate ground wire is used, it is recommended that a qualified electrician determine that the ground path is adequate.

Do not ground to a gas pipe.

Check with a qualified electrician if you are not sure range hood is properly grounded.

Do not have a fuse in the neutral or ground circuit.

IMPORTANT

Save Installation Instructions for electrical inspector's use.

The range hood must be connected with copper wire only.

The range hood should be connected directly to the fused disconnect (Or circuit breaker) box through metal electrical conduit.

Wire sizes must conform to the requirements of the National Electrical Code ANSI/NFPA 70 — latest edition*, or CSA Standards C22.1-94, Canadian Electrical Code Part 1 and C22.2 No. 0-M91 - latest edition** and all local codes and ordinances.

A U.L.- or C.S.A.-listed conduit connector must be provided at each end of the power supply conduit (at the range hood and at the junction box).

Copies of the standards listed may be obtained from:

* National Fire Protection Association Batterymarch Park Quincy, Massachusetts 02269

** CSA International 8501 East Pleasant Valley Road Cleveland, Ohio 44131-5575

Before installing the hood

1. For the most efficient air flow exhaust, use a straight run or as few elbows as possible.
CAUTION: Vent unit to outside of building, only.
2. At least two people are necessary for installation.
3. Fittings material is provided to secure the hood to most types of walls/ceilings, consult a Qualified Installer, check if they perfectly fit with your cabinet/wall.
4. Do not use flex ducting.
5. COLD WEATHER installations should have an additional backdraft damper installed to minimize backward cold air flow and a nonmetallic thermal break to minimize conduction of outside temperatures as part of the ductwork. The damper should be on the cold air side of the thermal break.
The break should be as close as possible to where the ducting enters the heated portion of the house.
6. Make up air: Local building codes may require the use of Make-Up Air Systems when using Ducted Ventilation Systems greater than specified CFM of air movement. The specified CFM varies from locale to locale. Consult your HVAC professional for specific requirements in your area.

List of Materials

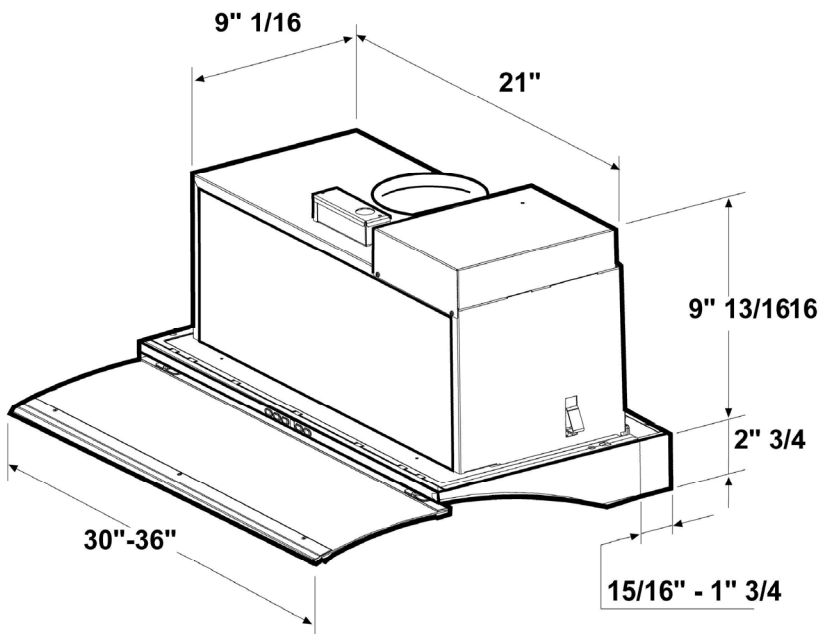
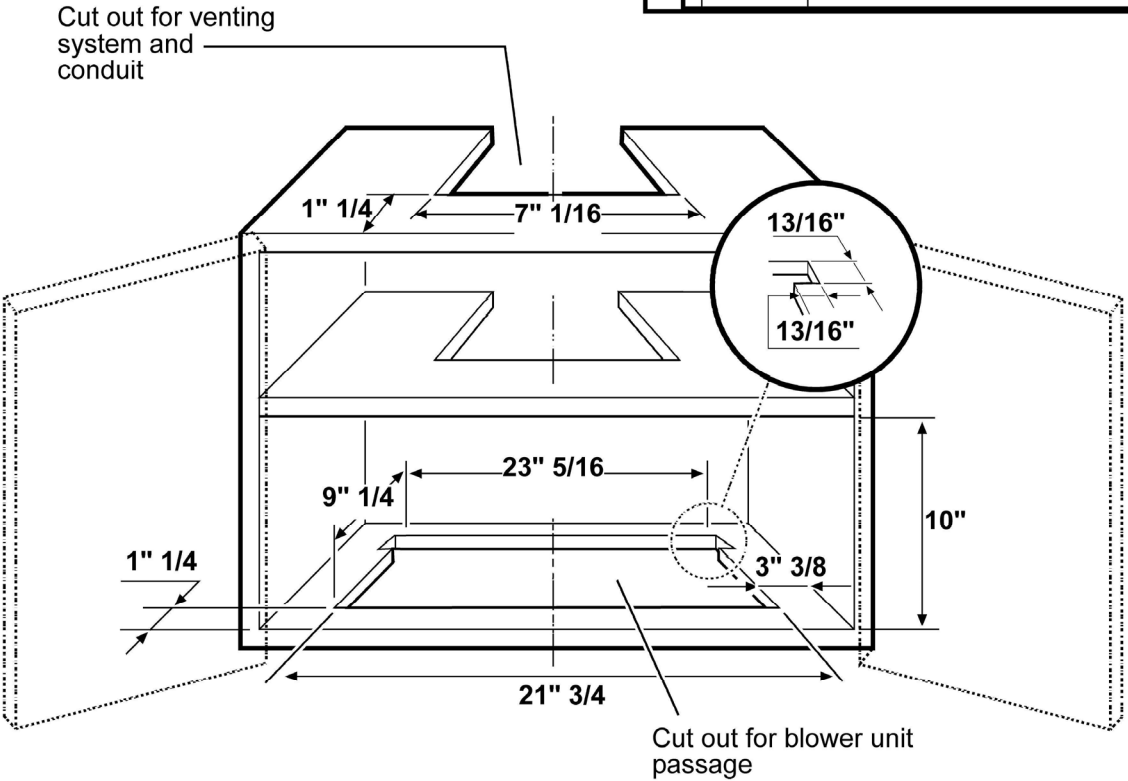
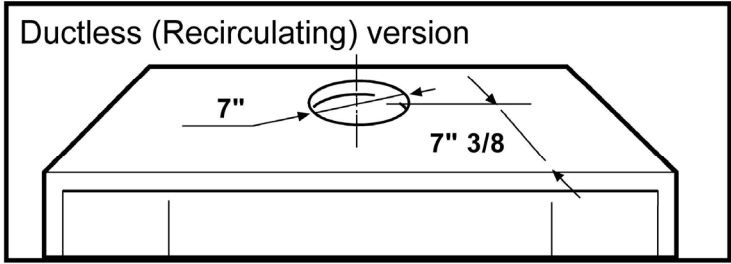
Parts supplied

- Blower unit housing
- Hood canopy
- Stainless steel mesh filter
- Halogen light bulb x 2
- Hardware Packet:
 - Transition
 - Allen Wrench
 - Lower bracket x 2
 - Upper Bracket x 2
 - Use, Care and Installation Guide
 - Template
 - Cloth
 - 2,9x9,5 screws x 2 (To attach the transition)
 - 4,5x16 screws x 4 (2 to attach the drawer to the bottom of the cabinet + 2 to attach the deflector on top of the cabinet ceiling)
 - 5x18 screws x 4 (Upper/lower brackets adjusting screws)
 - 3,5x9,5 x 4 (For definitive attaching of upper/lower brackets).

Parts not supplied

- Duct, conduit and all tools required for installation.
- Remote Control
- **Ductless Recirculating Kit**
 - To be used only in the **Ductless (Recirculating) version**
 - includes:** charcoal filter, charcoal filter support and fixing bracket, deflector

Dimensions and Clearances



Ducting Options and Examples

Closely follow the instructions set out in this manual.

All responsibility, for any eventual inconveniences, damages or fires caused by not complying with the instructions in this manual, is declined.

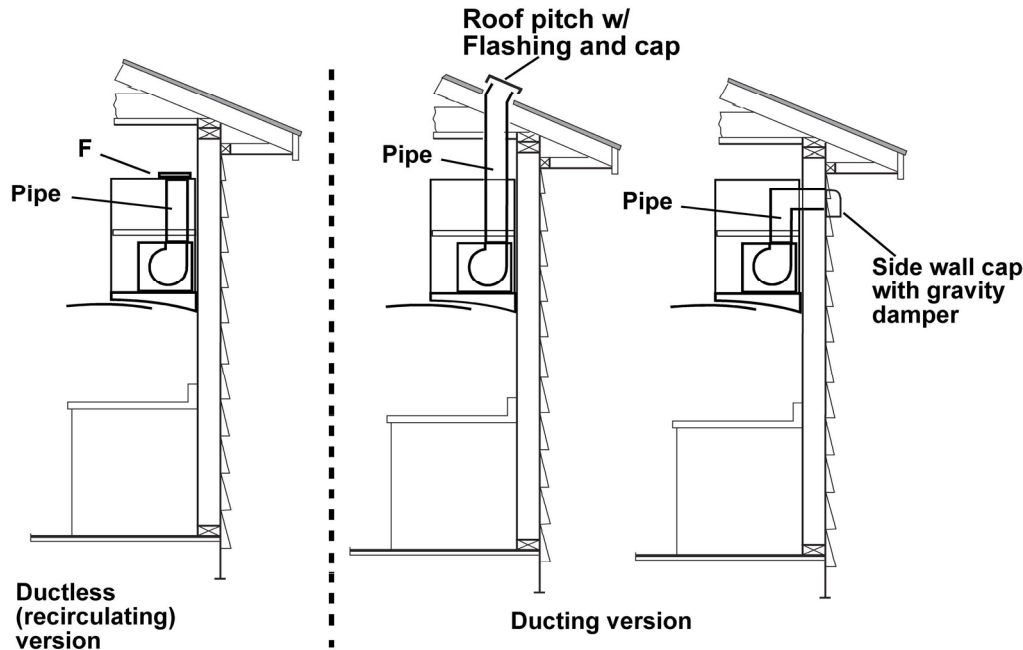
Venting methods

The hood is equipped with a transition **B** for discharge of fumes to the outside (**Ducting version**).

Should it not be possible to discharge cooking fumes and vapour to the outside, the hood can be used in the **Ductless (Recirculating) version**. Attach a charcoal filter on the internal side of the metal filter and the deflector **F** directly on the transition (Cabinet without ceiling) or at the top of the cabinet. Fumes and vapors are recycled directly through the deflector **F** (Cabinet without ceiling) or by means of a duct connected to the transition **B** and the deflector **F**.

NOTE: For ductless (Recirculating) version only: purchase the Ductless Recirculating Kit.

Minimum Duct Size (Ducting/Ductless version): 6" Round Pipe.



Preparation

This hood is designed to be installed inside a cabinet (only Blower unit housing) and fixed at the bottom of the cabinet, check that the cabinet, its bottom, the hanging system of the cabinet and the wall where cabinet is installed is strong enough to support the hood.

The inside of the cabinet should be accessible.

However, a qualified technician must verify suitability of the materials in accordance with the type of cabinet.

We suggest to mount the cabinet onto the wall after having installed the hood.

Before making cutouts, make sure there is proper clearance.

NOTE: For ductless (recirculating) version only: Check that there is enough clearance from ceiling and deflector once this last has been mounted to let an easy recirculation of air.

Hood installation height above cooktop is the users preference. The lower the hood is above the cooktop, the more efficient the capturing of cooking odors, grease and smoke.

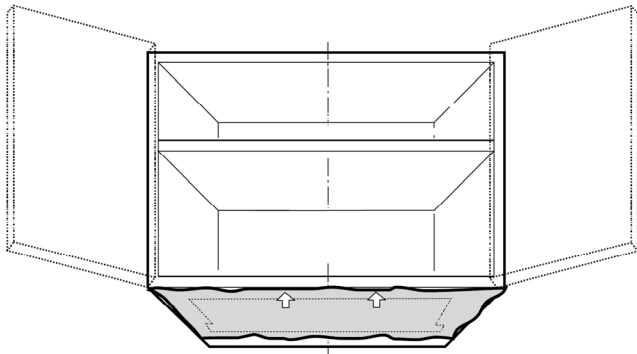
CAUTION: FOR GAS RANGES INSTALLATION: MOUNT THIS HOOD SO THAT THE BOTTOM EDGE IS NOT LESS THAN 24" (61 CM) ABOVE THE COOKING SURFACE.

FOR ELECTRIC RANGES INSTALLATION: MOUNT THIS HOOD SO THAT THE BOTTOM EDGE IS NOT LESS THAN 32" (81 cm) ABOVE THE COOKING SURFACE.

Check your ceiling height and the hood height maximum before you select your hood.

Installation

1. If possible, disconnect and move freestanding or slide-in range from cabinet opening to provide easier access to rear wall. Otherwise put a thick, protective covering over countertop, cooktop or range to protect from damage and debris. Select a flat surface for assembling the unit. Cover that surface with a protective covering and place all canopy hood parts and hardware in it.
2. Remove the metal filter (see paragraph "Maintenance") top access the inside of the range hood.
3. Perform any necessary cutout on cabinet and wall as per "Dimensions and clearances" paragraph for range hood mounting and for vent system and conduit passage. Use the supplied template to perform the cut out on cabinet.
Tape the template on the bottom of the cabinet, check that printed arrows match with the front edge of the cabinet (without considering the cabinet door). Cut as indicated.

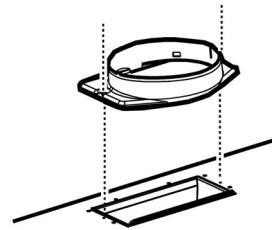


4. Install the vent system before the range hood. See „Venting methods“ and „Dimensions and clearance“ paragraphs.
Note - for Ductless - recirculating - installations:
Purchase the Ductless recirculating kit
Cabinet without ceiling:
Vent system is not required.
Cabinet with ceiling:
A 6" section of duct may be required to connect transition to deflector.
5. Install a conduit long enough to reach the junction box. Run wires through hole according the National Electrical Code or CSA Standards and local codes and ordinances.

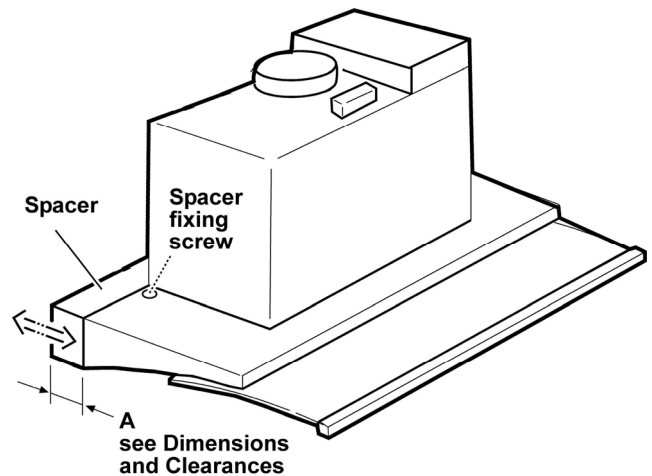
There must be enough power supply cable from the fused disconnect (or circuit breaker) box to make the connection in the hood's Junction box/es.

Use caulking to seal all openings on wall.
Do Not turn on power until installation is completed.

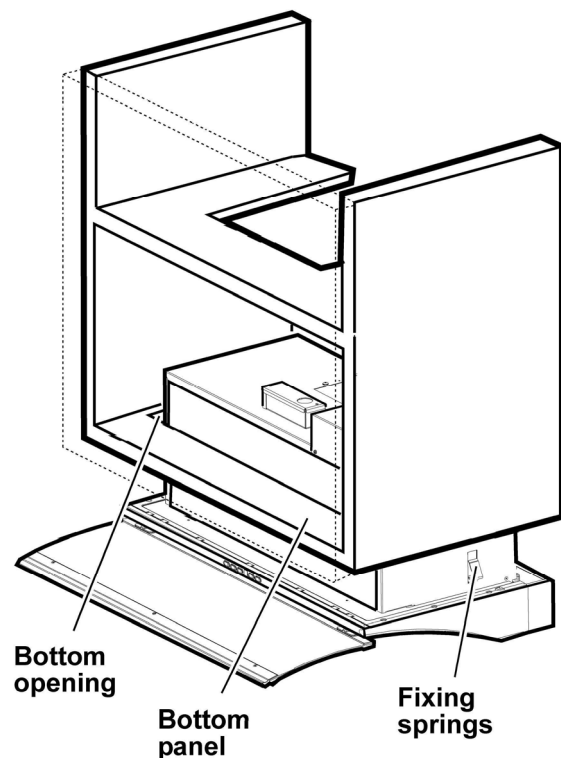
6. Fit the transition on top of the hood.



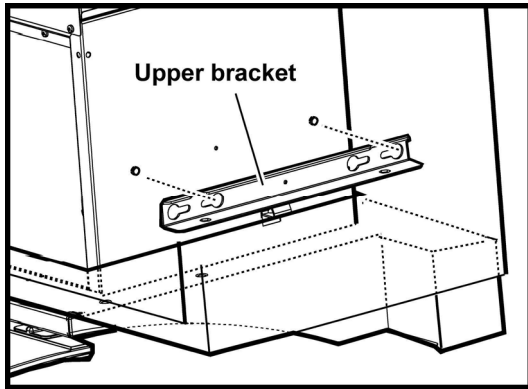
7. Regulate the rear spacer to cover the clearance on the rear side once the hood has been installed (see also paragraph "Dimensions and clearances") and fix it with two screws (one per side).



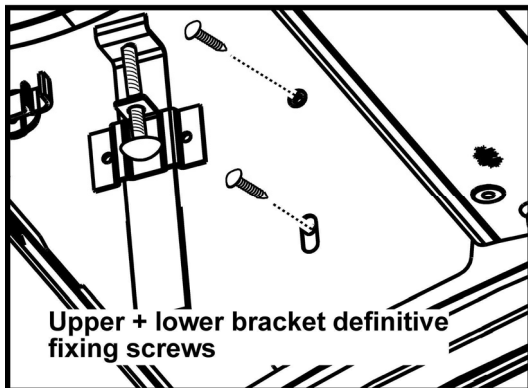
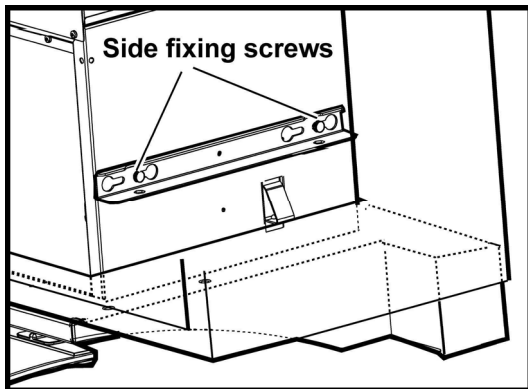
8. Fit the blower unit housing inside the cabinet through the bottom opening. Check that fixing springs goes over the bottom panel..



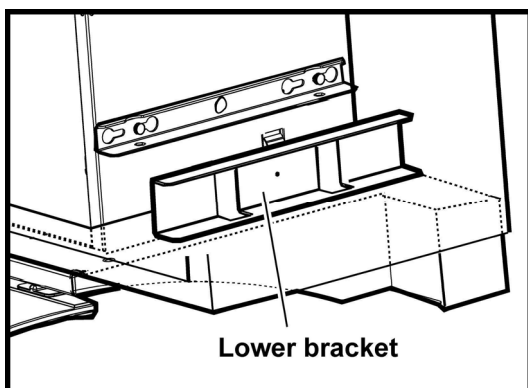
9. Apply two brackets (one per side) to the blower unit housing.....



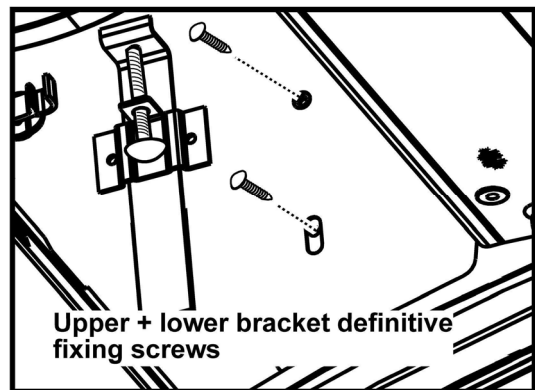
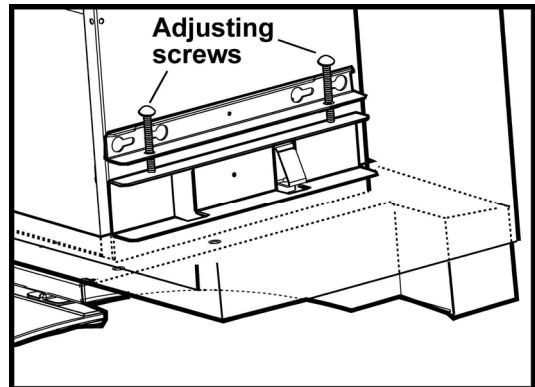
..... lock in place (check that each bracket, once in position, is flush to the front side of the blower unit housing) tighten the side fixing screws (two per brackets) and, from the inside of the hood, fix with one screw each then



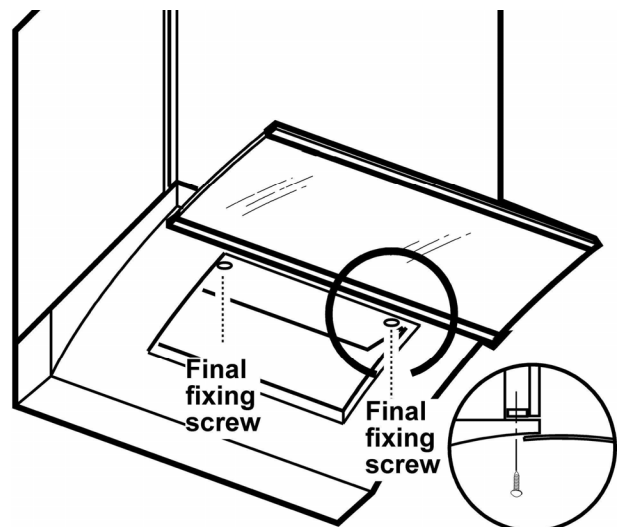
.....apply the two bigger brackets (lower brackets) under the first two and....



..... tighten securely the two screws on upper brackets, check that blower housing is now well blocked, then, from the inside of the hood, fix definitively the lower brackets with one screw each.



10. Refinish the installation to cabinet with two fixing screws.



For **Ductless (recirculating) installations**
Cabinet without ceiling **ONLY**:
Install the deflector (available as an extra kit) on the transition - snap into place.

11. Connect ducting to transition. Seal with duct tape.
Do not use duct smaller than the transition.
For **Ductless - recirculating - installations**:
Cabinet with ceiling ONLY:
provide and install a section of duct long enough to connect hood transition to deflector once this has been installed onto the cabinet ceiling (the deflector is available as an extra kit).

12. Electrical connection

WARNING

Electrical Shock Hazard

Warning: Turn off power circuit at the service panel before wiring this unit.

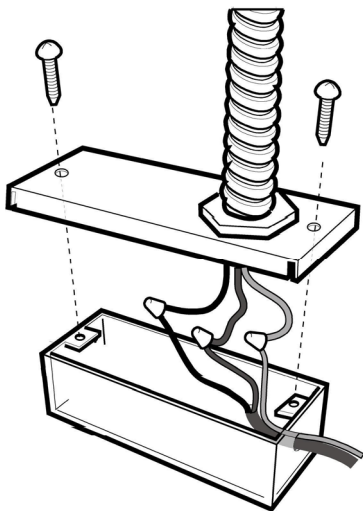
120 VAC, 15 or 20 Amp circuit required.

ELECTRICAL GROUNDING INSTRUCTIONS

THIS APPLIANCE IS FITTED WITH AN ELECTRICAL JUNCTION BOX WITH 3 WIRES, ONE OF WHICH (GREEN/YELLOW) SERVES TO GROUND THE APPLIANCE. TO PROTECT YOU AGAINST ELECTRIC SHOCK, THE GREEN AND YELLOW WIRE MUST BE CONNECTED TO THE GROUNDING WIRE IN YOUR HOME ELECTRICAL SYSTEM, AND IT MUST UNDER NO CIRCUMSTANCES BE CUT OR REMOVED.

Failure to do so can result in death or electrical shock.

Remove the knockout and the Junction box cover and install the conduit connector (cULus listed) in junction box.



Run 3 wires; black, white and green ,according to the National Electrical Code and local codes and ordinances, in 1/2" conduit from service panel to junction box.

Connect black wire from service panel to black or red in junction box, white to white and green to green-yellow.

Close and secure junction box cover.

13. For Ductless (recirculating) installations

Install one charcoal filter (available as an extra kit).

14. Check all light bulbs to make sure they are secure in their sockets.

Turn power (On) in service panel.

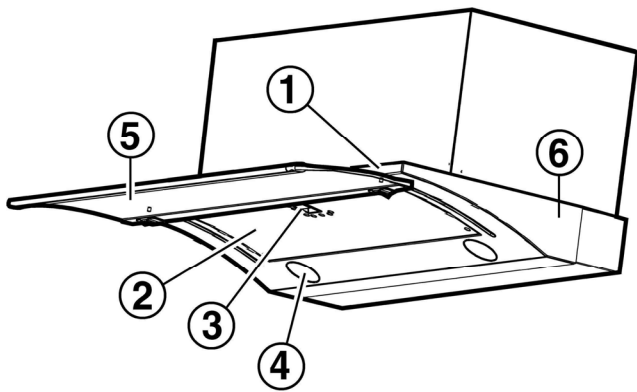
Check lights and blower operation.

15. Install filter.

If range hood does not operate:

- Check that the circuit breaker is not tripped or the house fuse blown.
- Disconnect power supply. Check that wiring is correct.

Description of the hood & Controls

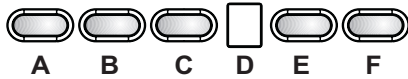


- 1 Control panel
- 2 Grease filter
- 3 Grease filter release handle
- 4 Halogen lamp (position and nr. of lamps may vary)
- 5 Sliding Glass
- 6 Hood canopy

Controls

Use the high suction speed in cases of concentrated kitchen vapours. It is recommended that the cooker hood suction is switched on for 5 minutes prior to cooking and to leave in operation during cooking and for another 15 minutes approximately after terminating cooking.

Description of control panel



- A** -Lighting: dim lighting / full lighting /off (loop control) - Works even with hood in stand by and/or drawer closed.
- B** -Set Fan in Stand by (LED on the lower side of the display ON).
- C** -ON/OFF Timer for selected speed (visualizes the speed selected and flashing LED on the lower side of the display).
This knob permits the operation of the cooker hood for a established period:
 - 20 minutes if the speed selected is **1**
 - 15 minutes if the speed selected is **2**
 - 10 minutes if the speed selected is **3**
 - 5 minutes if the boost speed **P** is selected.
- D** -Display showing: fan speed (**1-2-3-P**), filter saturation indicator (**F** for metal filter, **C** for charcoal filter)
Note: if in posses of the Remote Control (see paragraph "List of Part and Accessories") the display shows a flashing "**b**" this to indicate that the remote control battery must be replaced.
When the led in the lower right side is on, it indicates that the cooker hood is ready for operation ("standby" position), the flashing LED indicates that the timer has been activated for selected speed.
Warning!
The Charcoal filter saturation function is not activated. In order to activate the charcoal filter saturation indicator, press buttons **E** and **F** simultaneously for 3 seconds. Initially, only letter **F** will be displayed, then after the 3 seconds have passed, letter **C** will be displayed as well, indicating that the carbon filter saturation control system is active.
To switch off the system, re-press the same two buttons: letter **C** appear on display and after 3 seconds it disappears and the device will be switched off.
- E** -Knob to decrease the speed: from boost speed **P** to speed level **1**.
- F** -Knob to increase (standby) speed to boost speed **P**. Attention! Boost speed **P** lasts 5 minutes after which the cooker hood automatically sets the speed to level **2** (suction power).

Controlling the range hood with sliding glass:

Closing the glass, all selected speed and lights switched off. Hood retains last speed (except P-boost-speed) setting when glass is closed and re-opened.

If the hood fails to operate correctly, briefly disconnect it from the mains power supply for almost 5 sec. by pulling out the plug. Then plug it in again and try once more before contacting the Technical Assistance Service.

Warning!

Always press the fan off button **A** before disconnecting the hood from the mains supply.

Reset filter saturation signal

Press knob **B** for about 3 seconds.
The letter **F** and/or **C** will disappear from the display.

Maintenance

ATTENTION! Before performing any maintenance operation, isolate the hood from the electrical supply by switching off at the connector and removing the connector fuse.

Or if the appliance has been connected through a plug and socket, then the plug must be removed from the socket.

Cleaning

The cooker hood should be cleaned regularly (at least with the same frequency with which you carry out maintenance of the fat filters) internally and externally. Clean using the cloth dampened with neutral liquid detergent. Do not use abrasive products. **DO NOT USE ALCOHOL!**

WARNING:

Failure to carry out the basic cleaning recommendations of the cooker hood and replacement of the filters may cause fire risks.

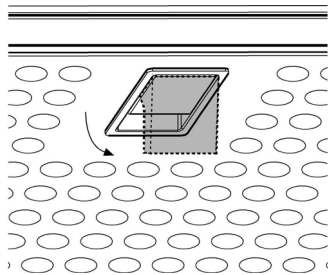
Therefore, we recommend observing these instructions.

The manufacturer declines all responsibility for any damage to the motor or any fire damage linked to inappropriate maintenance or failure to observe the above safety recommendations.

Grease Filter

Traps cooking grease particles.

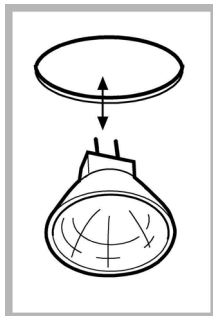
The filters should be washed frequently using non aggressive detergents, either by hand or in the dishwasher, which must be set to a low temperature and a short cycle. When washed in a dishwasher, the grease filter may discolour slightly, but this does not affect its filtering capacity. To remove the grease filter, pull the spring release handle.



Replacing the light bulb

Disconnect the hood from the electricity.

Warning! Prior to touching the light bulbs ensure they are cooled down.



- Use a small screwdriver as a lever on the borders of the lamp in order to remove the lightbulb.
- Slide out the lightbulb to be replaced and replace with a new 12V 20W 30° Ø35 12V GU4.
- Carry out the replacement and mount the new lightbulb by following instructions in the reverse.

If the lights do not work, make sure that the lamps are fitted properly into their housings before you call for technical assistance.

French

Sommaire

Avis de sécurité important.....	15
Exigences électriques et exigences d'installation	16
Exigences électriques	16
Avant d'installer la hotte	16
Liste des pièces	17
Pièces fournies	17
Pièces non fournies.....	17
Dimensions et Dégagement.....	18
Exemples et possibilités de positionnement des conduits	19
Méthodes de ventilation	19
Préparation	19
Installation.....	20
Description de la hotte et des commandes	23
Commandes.....	24
Entretien	25
Nettoyage.....	25
Filtre à graisse	25
Remplacement des ampoules.....	25

**APPROUVÉ POUR LES APPAREILS DE TYPE RÉSIDENTIEL
POUR UNE UTILISATION RÉSIDENTIELLE SEULEMENT
LISEZ CES INSTRUCTIONS ET CONSERVEZ-LES**

VEUILLEZ LIRE CES INSTRUCTIONS AU COMPLET AVANT DE COMMENCER.

L'INSTALLATION DE L'APPAREIL DOIT RESPECTER TOUS LES CODES EN VIGUEUR.

IMPORTANT : Conservez ces instructions afin de pouvoir les remettre à l'inspecteur-électricien de votre région.

INSTALLATEUR : Veuillez laisser ces instructions avec l'appareil pour le propriétaire.

PROPRIÉTAIRE : Veuillez conserver ces instructions pour pouvoir vous y référer plus tard.

Avertissement de sécurité : Coupez l'alimentation du circuit dans le panneau électrique et verrouillez le panneau avant de raccorder les fils de cet appareil.

Exigence : 120 V c.a., 60 Hz circuit de dérivation de 15 V c.a., 20 Hz, de 15 ou 20 A.

LISEZ CES INSTRUCTIONS ET CONSERVEZ-LES

Avis de sécurité important

ATTENTION

UTILISER CET APPAREIL À DES FINS DE VENTILATION GÉNÉRALE SEULEMENT. **NE PAS UTILISER CET APPAREIL POUR ÉVACUER DES MATÉRIAUX OU DES VAPEURS DANGEREUX OU EXPLOSIFS.**

AVERTISSEMENT

POUR RÉDUIRE LES RISQUES D'INCENDIE, DE CHOC ÉLECTRIQUE ET DE BLESSURE, RESPECTER LES DIRECTIVES SUIVANTES :

- A. Utiliser cet appareil uniquement aux fins prévues par le fabricant. Si vous avez des questions à propos de l'appareil, communiquez avec le fabricant.
- B. Avant de faire l'entretien de l'appareil ou de le nettoyer, coupez l'alimentation dans le panneau électrique et verrouillez le panneau en bloquant le dispositif permettant d'empêcher d'activer l'alimentation accidentellement. S'il n'est pas possible de verrouiller l'accès au panneau, fixez une étiquette très voyante au panneau électrique.
- C. Une personne qualifiée doit effectuer l'installation et le câblage des fils électriques en conformité avec tous les codes et toutes les normes, y compris la cote de résistance au feu.
- D. Il est important de prévoir suffisamment d'air pour assurer une bonne combustion de l'équipement de chauffe et l'évacuation adéquates des gaz par le conduit de cheminé afin de prévenir les refoulements d'air. Respectez les directives et les normes de sécurité des fabricants de l'équipement de chauffage, comme celles publiées par la National Fire Protection Association (NFPA), la American Society for Heating, Refrigeration and Air Conditioning Engineers (ASHRAE) et le code des autorités de votre région.
- E. Au moment de couper ou de percer un mur ou un plafond, assurez-vous de ne pas endommager la filerie électrique ou tout autre accès à un service publique.
- F. Il faut toujours évacuer à l'extérieur les systèmes à conduit.

ATTENTION

Pour réduire les risques d'incendie et évacuer l'air correctement, assurez-vous que le conduit mène à l'extérieur; il ne faut pas évacuer l'air dans l'espace entre les murs, dans les plafonds, dans les greniers, les vides sanitaires ou les garages.

AVERTISSEMENT

POUR RÉDUIRE DES RISQUES D'INCENDIE, UTILISEZ UNIQUEMENT DES CONDUITS EN MÉTAL.

Installez cette hotte en respectant toutes les exigences mentionnées.

AVERTISSEMENT

Pour réduire les risques d'incendie et de choc électrique, n'utilisez pas cette hotte avec un contrôleur de vitesse à semi-conducteurs.

AVERTISSEMENT

POUR RÉDUIRE LES RISQUES D'INCENDIE DE GRAISSE SUR LES CUISINIÈRES.

- a) Ne laissez jamais la cuisinière sans surveillance

lorsqu'elle est réglée à une haute température. Les débordements par bouillonnement causent de la fumée et des débordements de gras qui peuvent s'enflammer. Faites chauffer l'huile lentement, à une température basse ou moyenne.

- b) Faites toujours fonctionner la hotte lorsque vous utilisez la cuisinière à une haute température ou que vous faites flamber des aliments (P. ex. : crêpes Suzette, cerises jubilé, bœuf au poivre flambé).
- c) Nettoyez les hélices de ventilation fréquemment. Il ne faut pas que la graisse s'accumule sur les filtres ou les hélices.
- d) Utilisez le bon format de casserole. Utilisez toujours un chaudron de taille approprié à l'élément de la cuisinière.

AVERTISSEMENT

POUR ÉVITER DE BLESSER QUELQU'UN LORS D'UN INCENDIE DE GRAISSE SUR LA CUISINIÈRE, SUIVRE LES CONSEILS SUIVANTS :

- a) **ÉTOUFFER LES FLAMMES** avec un couvercle aux dimensions de la taque de cuisson, une tôle à biscuit ou tout autre plateau métallique, puis couper le gaz ou l'alimentation électrique de la cuisinière. **FAIRE ATTENTION A NE PAS SE BRÛLER.** Si les flammes ne s'éteignent pas immédiatement, **QUITTER LA PIÈCE ET APPELER LES POMPIERS.**
- b) **NE JAMAIS PRENDRE EN MAIN UNE CASSEROLE EN FEU**, vous pourriez vous blesser.
- c) **NE PAS UTILISER D'EAU**, y compris les essuies de vaisselle ou les serviettes humides – une violente explosion due à la vapeur formée pourrait survenir.
- d) Utiliser un extincteur **SEULEMENT** si:
 - 1) Vous êtes sûr d'avoir un extincteur de classe ABC que vous savez utiliser.
 - 2) Le feu est petit et confiné à la zone où il s'est formé.
 - 3) Les pompiers ont été appelés.
 - 4) Vous pouvez lutter contre le feu avec une sortie derrière vous.

MODE OPÉRATEUR

- a. Toujours laisser les grilles de sécurité et les filtres à leur place. Sans la présence de ces derniers, les parties aspirantes pourraient attirer les cheveux, les doigts ou les vêtements.

Le fabricant décline toute responsabilité si les informations détaillées dans ce manuel pour l'installation, l'entretien et l'utilisation adéquate du produit ne sont pas observées. Le fabricant décline en outre toute responsabilité pour d'éventuelles blessures dues à des négligences; en outre, la garantie de l'appareil sera annulée suite à des conditions d'entretien inappropriées. Cet appareil est fabriqué pour un usage interne. Ne pas utiliser cet appareil à l'extérieur.

Exigences électriques et exigences d'installation

Exigences électriques

IMPORTANT

Respectez tous les codes et les ordonnances en vigueur.

Le client a la responsabilité de :

Contactez un électricien-installateur.

Vérifier que l'installation électrique est adéquate et conforme avec le Code national de l'électricité, ANSI/NFPA 70 (la plus récente édition*), ou les normes C22.1-94, Code canadien de l'électricité, Partie 1 et C22.2 No.0-M91 (La plus récente édition**) de la CSA, ainsi que tous les codes et les ordonnances de votre région.

Si le code le permet et que vous utilisez un fil de mise à la terre distinct, il est recommandé de faire vérifier le chemin du fil par un électricien.

Ne pas mettre l'appareil à la terre sur une conduite de gaz. Consultez un électricien qualifié si vous n'êtes pas certain que la hotte est mise à la terre correctement. N'installez pas un fusible dans le circuit neutre ou le circuit de mise à la terre.

IMPORTANT

Conservez ces instructions afin de pouvoir les remettre à l'inspecteur-électricien.

La hotte doit être câblée uniquement à l'aide de fils de cuivre.

Il faut raccorder la hotte directement à une boîte à fusible ou à un disjoncteur par l'entremise d'une canalisation électrique en métal.

Le calibre de fil doit être conforme aux exigences du Code national de l'électricité, ANSI/NFPA 70 (La plus récente édition*), ou les normes C22.1-94, Code canadien de l'électricité, Partie 1 et C22.2 0-M91 (La plus récente édition**) de la CSA, ainsi que tous les codes et les ordonnances de votre région.

Il faut prévoir un connecteur de canalisation approuvé par l'UL ou la CSA à chaque extrémité de la canalisation d'alimentation (À la hotte et à la boîte de jonction).

Vous pouvez obtenir un exemplaire des normes indiquées en vous adressant à :

* La National Fire Protection Association, Batterymarch Park Quincy, Massachusetts, 02269

** La CSA International, 8501 East Pleasant Valley Road, Cleveland, Ohio, 44131-5575

Avant d'installer la hotte

1. Pour assurer la ventilation la plus efficace possible, installez la conduite en ligne droite ou avec le moins de coudes possibles.
ATTENTION : La sortie de la conduite de ventilation doit donner sur l'extérieur.
2. Deux personnes sont nécessaires pour effectuer l'installation.
3. La quincaillerie fournie permet de fixer la hotte à la plupart des murs et des plafonds; consultez un installateur qualifié pour vous assurer que la quincaillerie fournie est adaptée à votre type de mur ou d'armoire.
4. N'utilisez pas de conduit flexible.
5. Dans le cas des endroits sujets aux TEMPÉRATURES FROIDES, il faut installer un clapet de contre-tirage supplémentaire afin de minimiser le retour d'air froid et un isolant thermique non métallique afin de minimiser la conduction de la température extérieur dans le conduit. Il faut placer le clapet du côté de l'air froid de l'isolant thermique. L'isolant doit être placé le plus près possible de l'endroit où le conduit entre dans la partie chauffée de la maison.
6. Air d'appoint : Le code du bâtiment de votre région peut exiger l'utilisation d'un système d'air d'appoint si vous utilisez un système de ventilation à conduit dont le mouvement d'air dépasse un certain nombre de CFM. Le nombre de pi³/min varie d'une région à l'autre. Consultez un professionnel de CVC pour connaître les exigences précises de votre région.

Liste des pièces

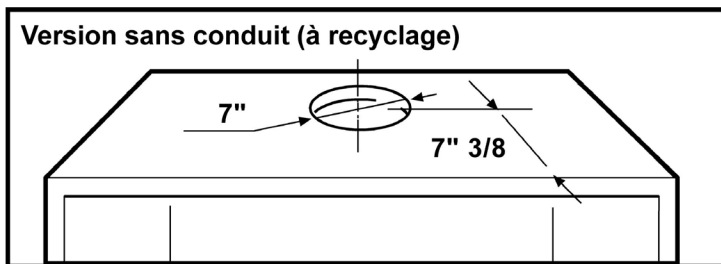
Pièces fournies

- Boîtier du ventilateur
- Auvent de la hotte
- 1 filtre métallique
- 2 ampoules halogènes
- Paquet de quincaillerie:
 - Transition
 - 1 tricoise Allen
 - 2 étriers inférieurs
 - 2 étriers supérieurs
 - Guide d'utilisation, d'entretien et d'installation
 - Modèle
 - Chiffon
 - 2 vis de 2,9×9,5 (pour fixer la transition)
 - 4 vis de 4,5×16 (2 pour fixer le tiroir sur la partie inférieure du meuble + 2 (pour fixer le déflecteur)
 - 4 vis de 5x18 (Vis de réglage)
 - 4 vis de 3,5x9,5 (vis de fixation des étriers inférieurs et supérieurs)

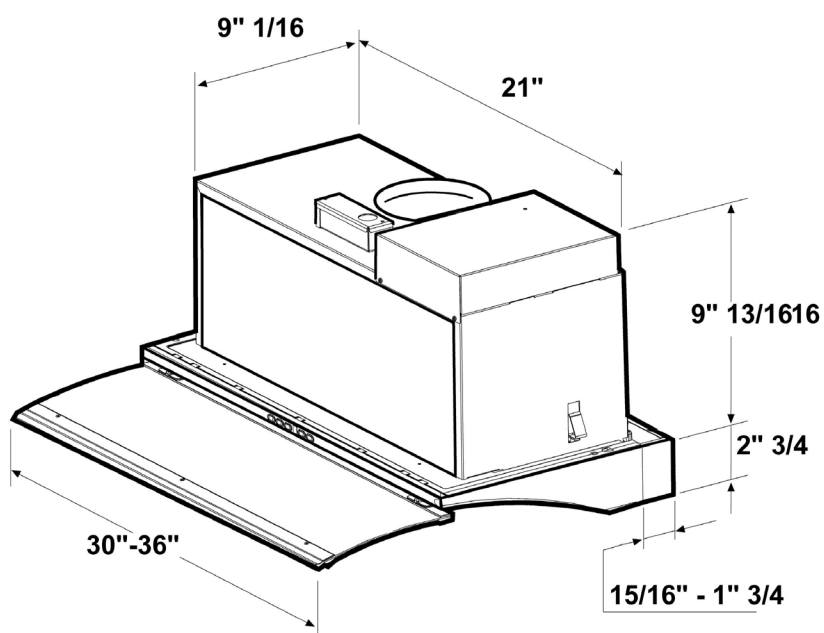
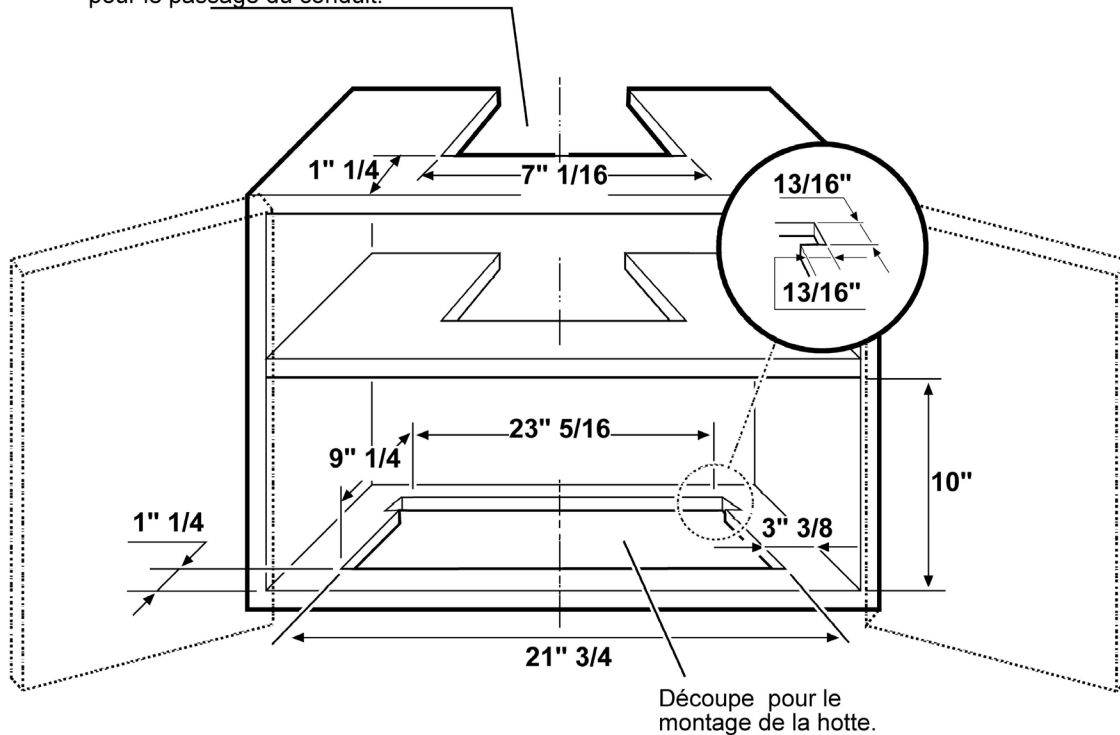
Pièces non fournies

- Conduit, canalisation et tous les outils nécessaires à l'installation.
- TÉLÉCOMMANDE
- **Trousse de conversion en hotte à recyclage** à utiliser seulement avec la **version sans conduit (à recyclage)**
comprend : filtre au charbon, soutien de filtre au charbon et support de fixation, déflecteur

Dimensions et Dégagement



Découpe pour le système de ventilation et pour le passage du conduit.



Exemples et possibilités de positionnement des conduits

Suivez à la lettre les directives présentées dans ce manuel.

Le fabricant refuse toute responsabilité en ce qui a trait à tout préjudice, dommage ou incendie causé par la non observation des directives contenues dans le présent manuel.

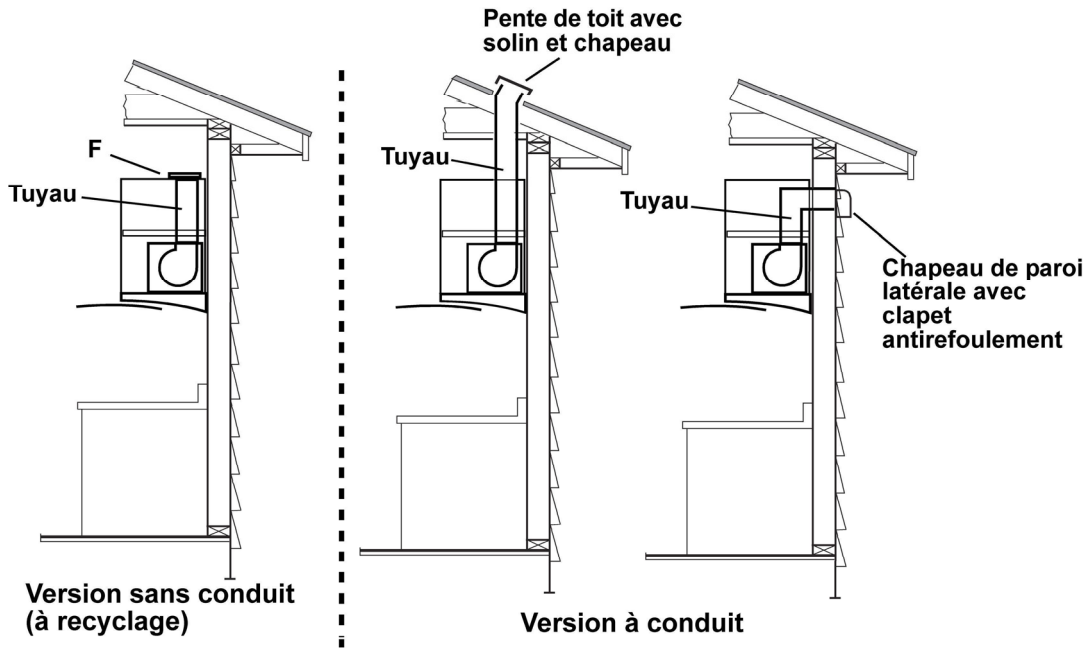
Méthodes de ventilation

La hotte est dotée d'une transition **B** afin d'évacuer les vapeurs à l'extérieur (**Version à conduit**).

S'il s'avère impossible d'évacuer la fumée et les vapeurs de cuisson à l'extérieur, il est possible de transformer la hotte en **version sans conduit (recyclage)**. Fixez un filtre à charbon sur le côté interne du filtre en métal et le déflecteur **F** sur la transition (meuble sans toit) ou sur la partie supérieure du meuble. Les fumées et les vapeurs sont directement recyclés à travers le déflecteur **F** (meuble sans toit) ou à travers un conduit relié à la transition **B** et au déflecteur **F**.

NOTE : dans le cas de la version sans conduit (À recyclage) seulement : procurez-vous la trousse de conversion en hotte à recyclage.

Diamètre minimum des conduit (Version avec ou sans conduit) : tuyau rond de 6".



Préparation

Cette hotte est destinée à être installée à l'intérieur d'un meuble (logement de l'unité de ventilation uniquement) et à être fixée dans la partie inférieure du meuble. Assurez-vous que le meuble, sa partie inférieure, son système d'accrochage et le mur où il est installé, soient suffisamment résistants pour supporter la hotte.

L'intérieur de l'appareil devra être accessible.

De toute façon, un technicien qualifié doit vérifier l'appropriation des matériaux en conformité avec le type de meuble.

Nous vous suggérons aussi de monter le meuble sur le mur après avoir installé la hotte.

Avant de faire des découpes, assurez-vous qu'il y ait assez d'espace.

NOTE: Pour la version sans conduit (à recyclage) uniquement : Vérifiez qu'il y ait assez de distance entre plafond et déflecteur une fois que ce dernier ait été monté pour permettre une bonne circulation d'air.

Vous pouvez déterminer vous-même la hauteur à laquelle vous installez la hotte au dessus de la cuisinière. Plus la hotte est près de la cuisinière, plus elle est efficace à capter les odeurs de cuisson, la graisse et la fumée.

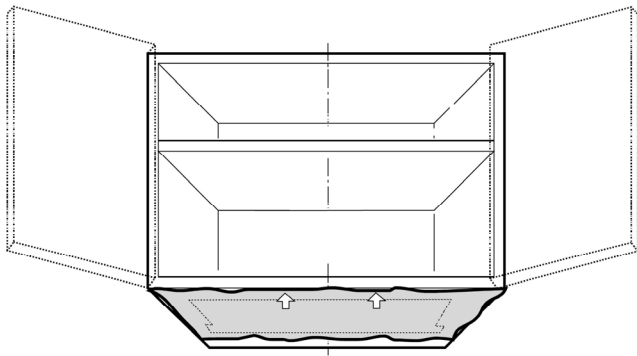
ATTENTION: POUR L'INSTALLATION DES CUISINIÈRES À GAZ: LA DISTANCE ENTRE LE BORD INFÉRIEUR DE LA HOTTE ET LE PLAN DE CUISSON NE DOIT PAS ÊTRE INFÉRIEUR DE 24" (61 CM).

POUR DES CUISINIÈRES ÉLECTRIQUES: LA DISTANCE ENTRE LE BORD INFÉRIEUR DE LA HOTTE ET LE PLAN DE CUISSON NE DOIT PAS ÊTRE INFÉRIEUR DE 32" (81 CM).

Vérifiez donc la hauteur de votre plafond et la hauteur maximum de la hotte avant de choisir votre modèle de hotte.

Installation

1. Si possible, débranchez la cuisinière et déplacez-la afin d'avoir un meilleur accès au mur arrière. Sinon, placez une couverture épaisse sur le comptoir et la surface de cuisson afin de les protéger des dommages et des saletés. Sélectionnez une surface plane pour assembler l'appareil. Placez une couverture protectrice sur cette surface, puis disposez les pièces de l'auvent de la hotte et la quincaillerie.
2. Enlevez le filtre métallique (voir paragraphe « Entretien ») pour accéder à la partie interne de la hotte.
3. Effectuez tous les découpes sur le meuble et sur le mur conformément au paragraphe « Dimensions et dégagement » pour le montage de la hotte, pour le système de ventilation et pour le passage du conduit. Appliquez le gabarit avec du ruban adhésif sur le fond du placard, contrôlez que les flèches imprimées coïncident avec le bord frontal du placard (sans considérer la porte du placard).
Percez de la façon indiquée

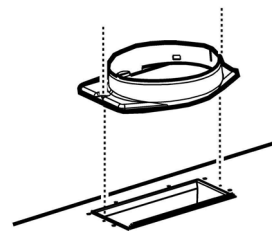


4. Installez le système de ventilation avant la hotte. Reportez-vous aux paragraphes « Méthodes de ventilation » et « Dimensions et dégagement ». Note pour l'installation de la version sans conduit (version recyclage) : achetez le kit de montage de la version sans conduit (version recyclage).
Meuble sans toit :
Le système de ventilation n'est pas exigé.
Meuble avec toit :
Un conduit de 6 po peut être nécessaire pour relier la transition au déflecteur.
5. Installez un conduit assez long pour rejoindre la boîte de jonction. Passez les câbles à travers le trou selon le Code national de l'électricité, ou selon les Standards de la CSA et avec tous les codes et les ordonnances de votre région.

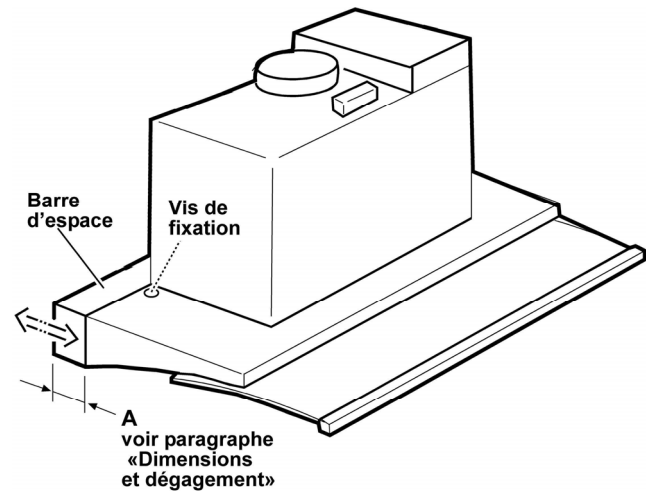
Il doit y avoir suffisamment de câble pour réaliser une connexion depuis l'interrupteur jusqu'à la boîte/s de jonction de la hotte.

Utilisez du caltafage pour sceller toutes les ouvertures du mur.
Ne pas mettre en marche avant que l'installation ne soit complète.

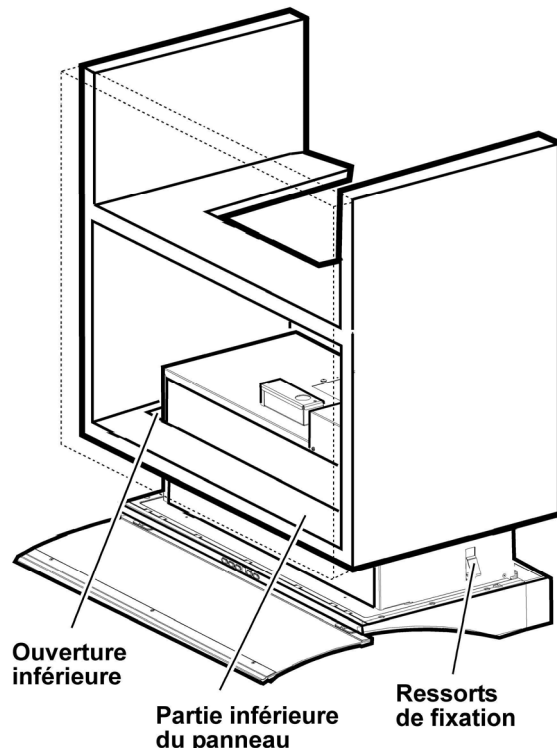
6. Placer la transition sur la partie supérieure de la hotte.



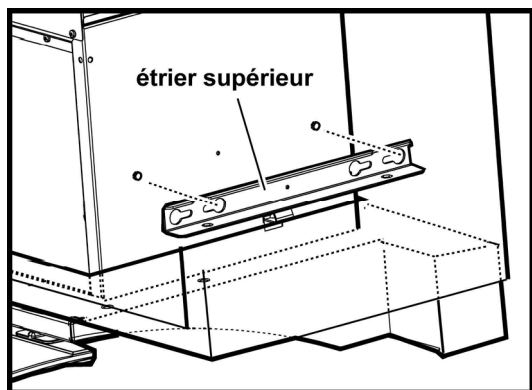
7. Une fois la hotte installée, régler le distancier pour couvrir l'espace sur le côté postérieur. (voir paragraphe « Dimensions et dégagement » pour plus de détails) et fixez-la avec deux vis (un de chaque côté).



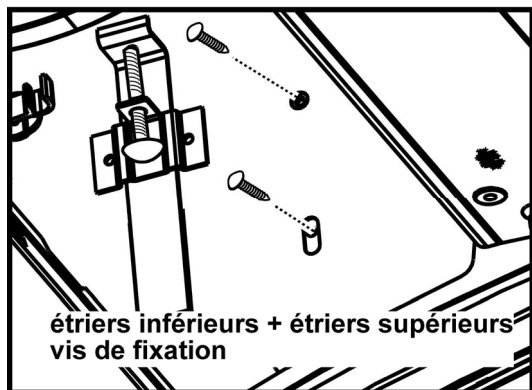
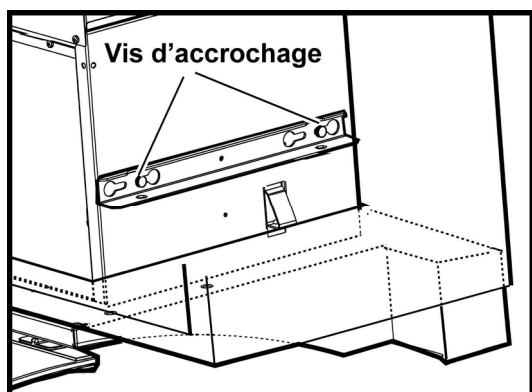
9. Installez le logement de l'unité de ventilation à l'intérieur du meuble à travers l'ouverture inférieure. Vérifiez que les ressorts de fixation soit bien passés par la partie inférieure du panneau.



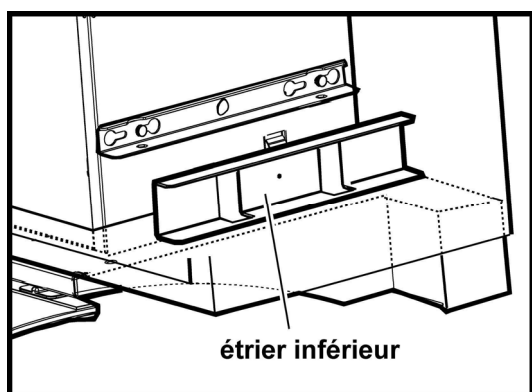
9. Appliquer deux étriers (un de chaque côté) sur les côtés de la boîte du ventilateur....



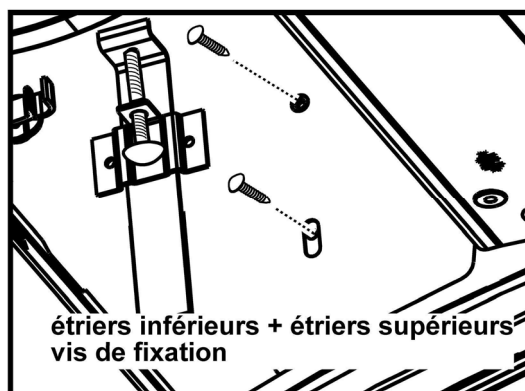
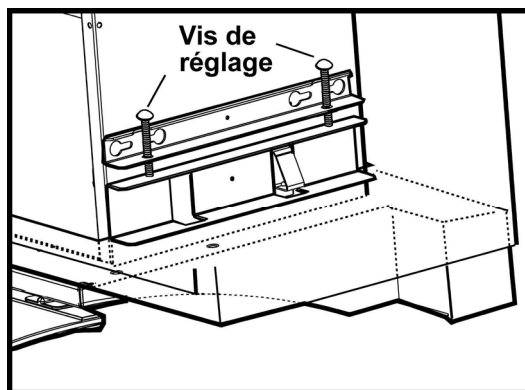
... accrocher aux vis (contrôler que le bord antérieur de chaque étrier, une fois en position, coïncide avec la côté antérieur da la boîte du ventilateur) serrer les vis d'accrochage des étriers (2 vis par étriers) et, de l'intérieur de la hotte, fixer définitivement avec une vis



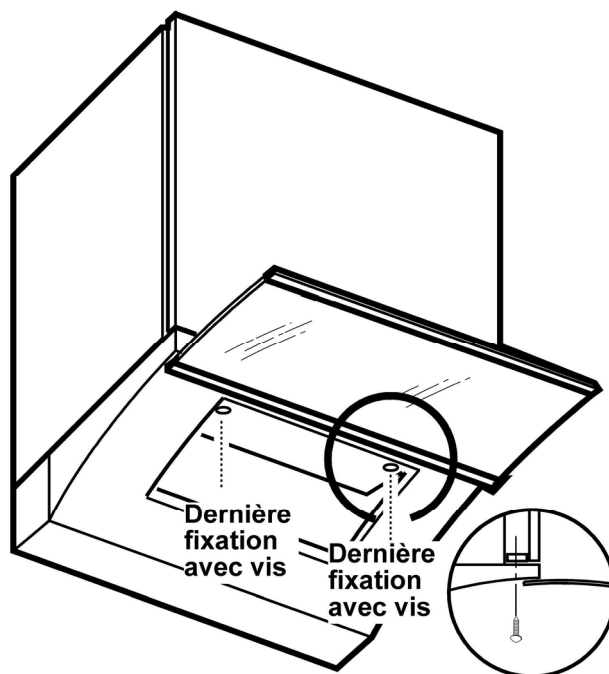
...appliquer les étriers les plus gros (étriers inférieurs) sous les étriers supérieurs...



...visser les vis de réglage sur les étriers supérieurs de façon que ceux-ci soient bien alignés avec les étriers inférieurs, contrôler ainsi que la boîte du ventilateur soit bloquée dans son siège à l'intérieur du meuble, ensuite, de l'intérieur de la hotte, fixer définitivement les étriers inférieurs avec une vis par étriers.



10. Terminez l'installation du meuble en le fixant avec deux vis.



Installation de la version sans conduit (à recyclage)
Meuble sans toit UNIQUEMENT :
 Installez le déflecteur (disponible comme kit extra) sur la transition – le relier au bon endroit.

11. Reliez le conduit à la transition. Isolez avec un ruban adhésif. Ne pas utiliser un conduit plus petit que la transition.
Installation sans conduit (à recyclage) :
Meuble avec toit **UNIQUEMENT** :
Prévoyez et installez un conduit assez long pour relier la transition de la hotte au déflecteur une fois que celui-ci a été installé sur le toit du meuble (le déflecteur est disponible comme kit extra).

12. Connexion électrique

AVERTISSEMENT

Danger de choc électrique

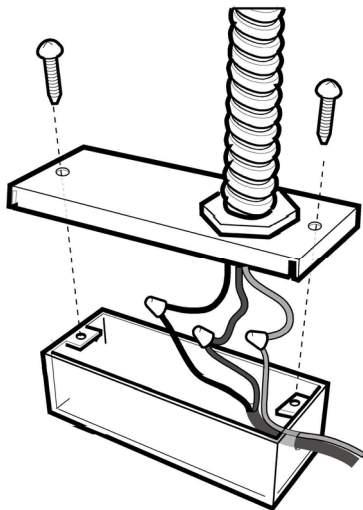
AVERTISSEMENT : Coupez l'alimentation du circuit dans le panneau électrique avant de raccorder les fils de cet appareil.

Un circuit de 120 V c.a., de 15 ou 20 A est requis.

INSTRUCTIONS DE MISE À LA TERRE
CET APPAREIL EST MUNI D'UNE BOÎTE DE JONCTION ÉLECTRIQUE À TROIS FILS, DONT L'UN (VERT/JAUNE) SERT À METTRE L'APPAREIL À LA TERRE. POUR VOUS PROTÉGER CONTRE LES CHOCS ÉLECTRIQUES, VOUS DEVEZ RACCORDER LE FIL VERT/JAUNE AU FIL DE MISE À LA TERRE DU SYSTÈME ÉLECTRIQUE DE VOTRE MAISON. EN AUCUNE CIRCONSTANCE CE FIL DOIT ÊTRE COUPÉ OU ENLEVÉ.

Le fait de ne pas respecter cette directive peut entraîner la mort ou un choc électrique.

Retirez l'alvéole défonçable et le couvercle de la boîte de jonction et installez un connecteur de canalisation (Listé dans cULus) dans la boîte de jonction.



Passez trois fils, le noir, le blanc et le vert, en respectant les normes du code national de l'électricité, ainsi que les codes et les ordonnances en vigueur dans votre région, dans une canalisation de 1/2 po, du panneau de service à la boîte de jonction.

Raccordez le fil noir du panneau de service au fil noir ou rouge de la boîte jonction, le blanc avec le blanc et le vert avec le vert/jaune.

Fermez le couvercle de la boîte de jonction.

13. Installation de la version sans conduit (à recyclage)
Installez un filtre au charbon (disponible comme kit extra).

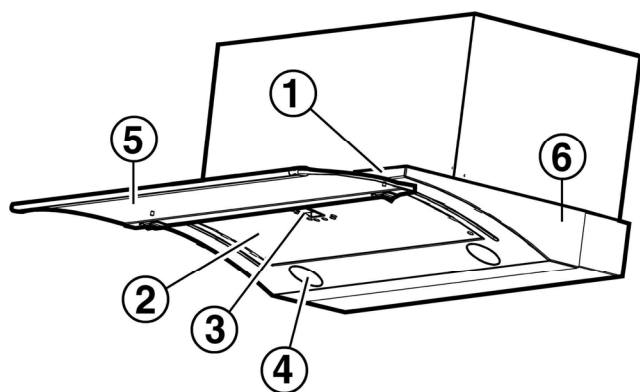
14. Contrôlez toutes les ampoules pour vous assurer qu'elles soient bien insérées dans leur douilles. Mettez en marche depuis le panneau de service.
Contrôlez le fonctionnement des lumières et de la ventilation.

15. Installez le filtre.

Si la hotte ne fonctionne pas :

- Vérifiez que le disjoncteur ne s'est pas déclenché ou que le fusible n'est pas grillé.
- Débranchez l'alimentation. Vérifiez que les raccords électriques ont été effectués correctement.

Description de la hotte et des commandes



- 1 Panneau de commande
- 2 Filtre à graisse
- 3 Poignée de dégagement du filtre à graisse
- 4 Lampes halogène (la position et le nombre de lampes peut varier)
- 5 Tiroir
- 6 Écran anti-vapeur

Commandes

Utiliser la puissance d'aspiration maximum en cas de concentration très importante des vapeurs de cuisson. Nous conseillons d'allumer la hotte 5 minutes avant de commencer la cuisson et de la faire fonctionner encore pendant 15 minutes environ après avoir terminé la cuisson.

Description du panneau de commandes



- A.** Illumination : lumière faible/ lumière pleine/ éteinte (circuit de contrôle) – elle fonctionne aussi quand la hotte est en pause et/ou le tiroir est fermé.
- B.** Mettre la hotte en position de pause (DEL sur le côté inférieur de l'écran allumé)
- C.** Marche/Arrêt du temporisateur de vitesse sélectionnée (Il montre la vitesse choisie et le DEL clignote sur la partie inférieure de l'écran).
Ce bouton permet à la hotte d'opérer selon le schéma suivant :
20 minutes si l'on sélectionne la vitesse 1
15 minutes si l'on sélectionne la vitesse 2
10 minutes si l'on sélectionne la vitesse 3
5 minutes si l'on sélectionne la vitesse intensive **P**
- D.** L'indicateur montre : la vitesse de la hotte (**1-2-3-P**), l'indicateur de saturation du filtre (**F pour filtre métal, C pour filtre à charbon**).
Note : si vous possédez la télécommande (voir le paragraphe « Liste des pièces et Accessoires »), l'indicateur vous montre un « **b** » intermittent qui indique qu'il faut remplacer la batterie de la télécommande.
Quand le DEL situé dans le côté inférieur à droite s'allume, cela indique que la hotte est prête à démarrer (position « Pause »). Le DEL clignotant indique que le temporisateur a été activé sur la vitesse sélectionnée.
Attention !
La fonction qui indique la saturation du filtre à charbon n'est pas active.
Pour activer l'indicateur de saturation du filtre au charbon, appuyez sur les boutons **E** et **F** simultanément pendant 3 secondes. Au début, la lettre **F** uniquement s'affichera, mais après 3 secondes, la lettre **C** apparaîtra aussi, indiquant que le système de contrôle pour la saturation du filtre au charbon est actif.
Pour éteindre le système, appuyez à nouveau sur les deux mêmes boutons : la lettre **C** apparaîtra sur l'écran et après 3 secondes, celle-ci disparaîtra et l'unité sera éteinte.
- E.** Bouton pour diminuer la vitesse : de celle intensive **P** à la 1^{ère}.
- F.** Bouton pour augmenter (Pause) la vitesse jusqu'à la vitesse intensive **P**.
Attention ! La vitesse intensive **P** dure 5 minutes et après la hotte fixe automatiquement sa vitesse au niveau 2 (pouvoir d'aspiration)

Contrôler la hotte à travers le tiroir :

La fermeture du tiroir implique l'arrêt de toute vitesse et l'extinction de la lumière.

La hotte mémorise la dernière vitesse qui a été sélectionnée (à l'exception de la vitesse intensive **P**) au moment de fermer et d'ouvrir à nouveau le tiroir.

Si la hotte ne fonctionne pas correctement, déconnectez-la de l'alimentation secteur pour 5 secondes en débranchant la fiche. Ensuite, reconnectez-la et essayez encore une fois avant de contacter le service technique.

Attention !

Appuyez toujours sur le bouton d'arrêt du ventilateur **B** avant de déconnecter la hotte de l'alimentation.

Rétablir la signalisation du filtre de saturation.

Appuyez sur la touche **B** pendant trois secondes. La lettre **F** et/ou **C** disparaîtra de l'écran.

Entretien

Attention! Avant toute opération de nettoyage ou d'entretien, débrancher la hotte du circuit électrique en enlevant la prise ou en coupant l'interrupteur général de l'habitation.

Nettoyage

La hotte doit être régulièrement nettoyée à l'intérieur et à l'extérieur (au moins à la même fréquence que pour l'entretien des filtres à graisse). Pour le nettoyage, utiliser un chiffon humidifié avec un détergent liquide neutre. Ne pas utiliser de produit contenant des abrasifs.

NE PAS UTILISER D'ALCOOL!

ATTENTION:

Il y a risque d'incendie si vous ne respectez pas les instructions concernant le nettoyage de l'appareil et le remplacement ou le nettoyage du filtre.

La responsabilité du constructeur ne peut en aucun cas être engagée dans le cas d'un endommagement du moteur ou d'incendie liés à un entretien négligé ou au non respect des consignes de sécurité précédemment mentionnées.

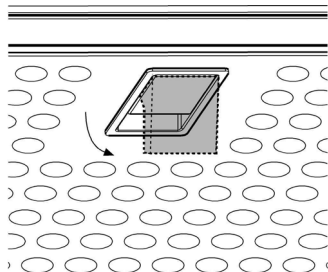
Filtre à graisse

Il retient les particules de graisse issues de la cuisson.

Laver fréquemment les filtres avec des détergents non agressifs, à la main ou dans le lave-vaisselle à faibles températures et cycle rapide.

Le lavage du filtre anti-graisse métallique au lave-vaisselle peut en provoquer la décoloration. Toutefois, les caractéristiques de filtrage ne seront en aucun cas modifiées.

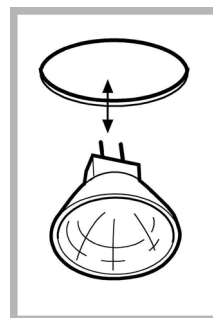
Pour démonter le filtre anti-graisse, tirer la poignée de décrochement à ressort.



Remplacement des ampoules

Débrancher l'appareil du réseau électrique

Attention! Avant de toucher les lampes, assurez-vous qu'elles soient froides.



- A l'aide d'un petit tournevis plat, faire levier sur le bord de l'ampoule et l'extraire.
- Retirer l'ampoule grillée et remplacez la par une ampoule de 12V 20W 30° Ø35 GU4.
- Remonter alors la nouvelle ampoule en procédant dans le sens inverse du démontage.

Dans l'éventualité où l'éclairage ne devait pas fonctionner, vérifier si les lampes ont été introduites correctement dans leur logement, avant de contacter le service après-vente.

Spanish

Contenido

Aviso de seguridad importante	27
Requisitos eléctricos y de instalación	28
Requisitos eléctricos	28
Antes de instalar la campana	28
Lista de materiales	29
Piezas suministradas	29
Piezas no suministradas	29
Dimensiones y Espacios libres	30
Tipos de ductos y ejemplos	31
Métodos de ventilación	31
Preparación	31
Instalación	32
Instalación - Versión con tubos	32
Descripción de la campana y los controles	35
Controles	36
Mantenimiento	37
Limpieza	37
Filtro contra la grasa	37
Sustitución de la bombilla	37

APROBADO PARA APARATOS DE USO DOMÉSTICO SÓLO PARA USO DOMÉSTICO LEA Y GUARDE ESTAS INSTRUCCIONES

ANTES DE CONTINUAR, LEA LAS INSTRUCCIONES POR COMPLETO.

LA INSTALACIÓN DEBE CUMPLIR TODA LA NORMATIVA LOCAL.

IMPORTANTE: guarde estas instrucciones para su uso por parte del inspector de electricidad local.

INSTALADOR: entregue al propietario estas instrucciones junto con la unidad.

PROPIETARIO: conserve estas instrucciones para futuras consultas.

Advertencia de seguridad: antes de realizar el cableado de este aparato, desactive el circuito de energía eléctrica en el panel de servicio y desbloquee el panel.

Requisito: Circuito auxiliar de CA de 120 V, 60 Hz, 15 ó 20 A

LEA Y GUARDE ESTAS INSTRUCCIONES

Aviso de seguridad importante

PRECAUCIÓN

SÓLO PARA USO DE VENTILACIÓN GENERAL. NO UTILIZAR PARA EXPULSAR VAPORES O MATERIALES PELIGROSOS O EXPLOSIVOS.

ADVERTENCIA

PARA REDUCIR EL RIESGO DE FUEGO, DESCARGA ELÉCTRICA O LESIONES PERSONALES, RESPETE LO SIGUIENTE:

- A. Utilice esta unidad solamente en el modo que indica el fabricante. En caso de duda, póngase en contacto con el fabricante.
- B. Antes de reparar o limpiar la unidad, desconecte la alimentación en el panel de servicio y bloquee los medios de desconexión del panel de servicio para evitar la conexión accidental de la alimentación. Si no es posible bloquear los medios de desconexión del panel de servicio, coloque un dispositivo de advertencia que destaque como, por ejemplo, una etiqueta, en el panel de servicio.
- C. La instalación y el cableado eléctrico deben realizarlos personas cualificadas de acuerdo con las normativas y los estándares aplicables, incluida la construcción ignífuga.
- D. Es necesaria una ventilación suficiente para la correcta combustión y expulsión de gases por la salida de humos (Chimenea) del equipo de combustión de carburante para evitar el contratiro. Siga las directrices de fabricantes de equipos de calefacción y los estándares de seguridad como los publicados por la National Fire Protection Association (NFPA), American Society for Heating, Refrigeration and Air Conditioning Engineers (ASHRAE) y las normativas locales.
- E. Al efectuar orificios en una pared o techo, no dañe el cableado eléctrico y otras instalaciones ocultas.
- F. Los sistemas instalados mediante conducto deben tener ventilación con salida al exterior.

PRECAUCIÓN

Para reducir el riesgo de fuego y conseguir una salida del aire correcta, asegúrese de conducir el aire hacia el exterior. No permita que el aire se expulse en espacios situados en el interior de muros, techos, desvanes, sótanos de pequeña altura o garajes.

ADVERTENCIA

PARA REDUCIR EL RIESGO DE FUEGO, UTILICE SOLAMENTE TUBOS METÁLICOS.

Instale esta campana de acuerdo con los requisitos especificados.

ADVERTENCIA

Para reducir el riesgo de fuego o descarga eléctrica, no utilice esta campana con ningún dispositivo externo en estado sólido para el control de la velocidad.

ADVERTENCIA

PARA REDUCIR EL RIESGO DE INCENDIO OCASIONADO POR GRASA:

- a) No deje nunca ninguna unidad externa desatendida y con valores de fuego altos. La cocción puede causar humo o reboses de grasa que pueden prender fuego. Caliente el aceite a fuego lento o medio.
- b) Encienda siempre la campana cuando cocine a una temperatura alta o cuando realice flameados (Por

ejemplo, crepes Suzette, cerezas flameadas, ternera a la pimienta flameada).

- c) Limpie con frecuencia los ventiladores. No permita que la grasa se acumule en el ventilador o filtro.
- d) Utilice un tamaño de sartén adecuado. Utilice siempre piezas de batería de cocina adecuadas al tamaño del elemento de superficie.

ADVERTENCIA

PARA REDUCIR EL RIESGO DE LESIONES PERSONALES, EN CASO DE FUEGO OCASIONADO POR GRASA, TENGA EN CUENTA LO SIGUIENTE:

- a) **EXTINGA LAS LLAMAS** con una tapa ajustada, una lámina para hacer galletas u otro tipo de bandeja metálica y apague el quemador de gas o elemento eléctrico. **TENGA CUIDADO PARA EVITAR QUEMADURAS.** Si las llamas no se extinguen inmediatamente, **DESALOJE EL LUGAR Y LLAME A LOS BOMBEROS.**
- b) **NUNCA TOME UNA SARTÉN EN LLAMAS**, podría sufrir quemaduras.
- c) **NO UTILICE AGUA**, incluidas bayetas o toallas húmedas ya que se produciría una violenta explosión de vapor.
- d) Utilice un extintor **SÓLO** si:
 - 1) Sabe que dispone de un extintor de la clase ABC y conoce su funcionamiento.
 - 2) El fuego es pequeño y se encuentra en la misma zona donde se inició.
 - 3) Ha llamado a los bomberos.
 - 4) Puede luchar contra el fuego teniendo una salida a su espalda.

FUNCIONAMIENTO

a. Coloque siempre las rejillas y los filtros de seguridad en su lugar correspondiente. Sin estos componentes, los ventiladores en funcionamiento podrían atrapar su pelo, sus dedos o su ropa.

El fabricante declina toda responsabilidad en caso de fallo de cumplimiento de las instrucciones aquí facilitadas para la instalación, el mantenimiento y el uso adecuado del producto. El fabricante declina además toda responsabilidad por daños ocasionados por negligencia y la garantía de la unidad queda cancelada automáticamente como consecuencia de un mantenimiento incorrecto.

Requisitos eléctricos y de instalación

Requisitos eléctricos

IMPORTANTE

cumpla todas las normativas y ordenanzas gubernamentales.

Es responsabilidad del cliente:

Ponerse en contacto con un instalador eléctrico cualificado. Asegurarse de que la instalación eléctrica es adecuada y en conformidad con National Electrical Code, ANSI/NFPA 70 (última edición*) o CSA Standards C22.1-94, Canadian Electrical Code, Parte 1 y C22.2 No.0-M91 (última edición*) y toda la normativa y las ordenanzas locales.

Si la normativa lo permite y se utiliza un cable de toma a tierra independiente, se recomienda que un electricista cualificado determine si la difracción de onda de tierra es la adecuada.

No ubique la toma a tierra en una tubería de gas.

Si no está seguro de que la campana está correctamente conectada a tierra, consulte a un electricista cualificado.

No coloque ningún fusible en el circuito neutral o con vuelta por tierra.

IMPORTANTE

Guarde las instrucciones de instalación para su uso por parte del inspector de electricidad.

La campana debe estar conectada únicamente con hilo de cobre.

La campana debe estar conectada directamente al desconectador con fusible (O disyuntor) mediante canal metálico de cables eléctricos.

Los tamaños de cable deben cumplir los requisitos de la National Electrical Code, ANSI/NFPA 70 (última edición*) o CSA Standards C22.1-94, Canadian Electrical Code, Parte 1 y C22.2 No.0-M91 (última edición*) y toda la normativa y las ordenanzas locales.

Es preciso colocar un conector de canal de cables enumerado en U.L. o C.S.A. en cada extremo del canal de cables de fuente de alimentación (En la campana y en la caja de conexiones).

Se pueden obtener copias de los estándares enumerados en:

* National Fire Protection Association Batterymarch Park Quincy, Massachusetts 02269

** CSA International 8501 East Pleasant Valley Road Cleveland, Ohio 44131-5575

Antes de instalar la campana

1. Para obtener una circulación del flujo de aire más eficaz, utilice un tubo de tramo recto o el menor número posible de tubos acodados.

PRECAUCIÓN: el conducto de ventilación solamente debe tener salida hacia la parte exterior del edificio.

2. Para realizar la instalación, se necesitan al menos dos personas.

3. La campana se ajusta mediante material adecuados para la mayoría de superficies; consulte a un instalador cualificado para comprobar si quedan perfectamente ajustados al armario o a la pared.

4. No emplee tubos flexibles.

5. Las instalaciones en **CONDICIONES CLIMÁTICAS FRÍAS** deben tener instalado un regulador de contratiro adicional para minimizar el flujo de aire inverso y una rotura térmica no metálica para minimizar la conducción de temperaturas externas como parte de los tubos. El regulador debe encontrarse en la parte de aire frío de la rotura térmica.

La rotura debe estar lo más cerca posible al lugar donde los tubos entran en la parte caliente de la casa.

6. Aire limpio: Las normativas locales para edificios pueden requerir el uso de sistemas de aire limpio cuando se utilizan sistemas de ventilación mediante tubos superiores al CFM especificado de movimiento de aire. El CFM especificado varía de una zona a otra. Para conocer los requisitos específicos de su zona, consulte a un profesional de HVAC.

Lista de materiales

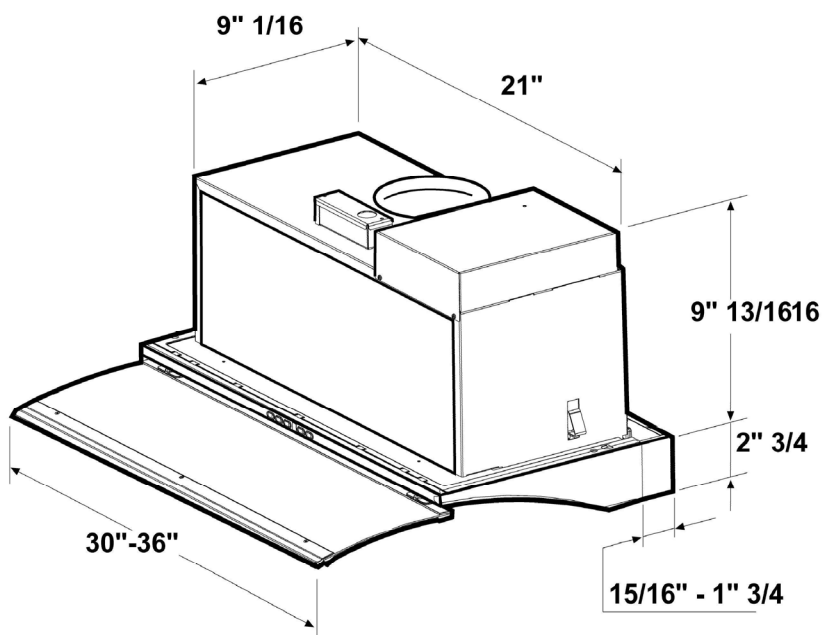
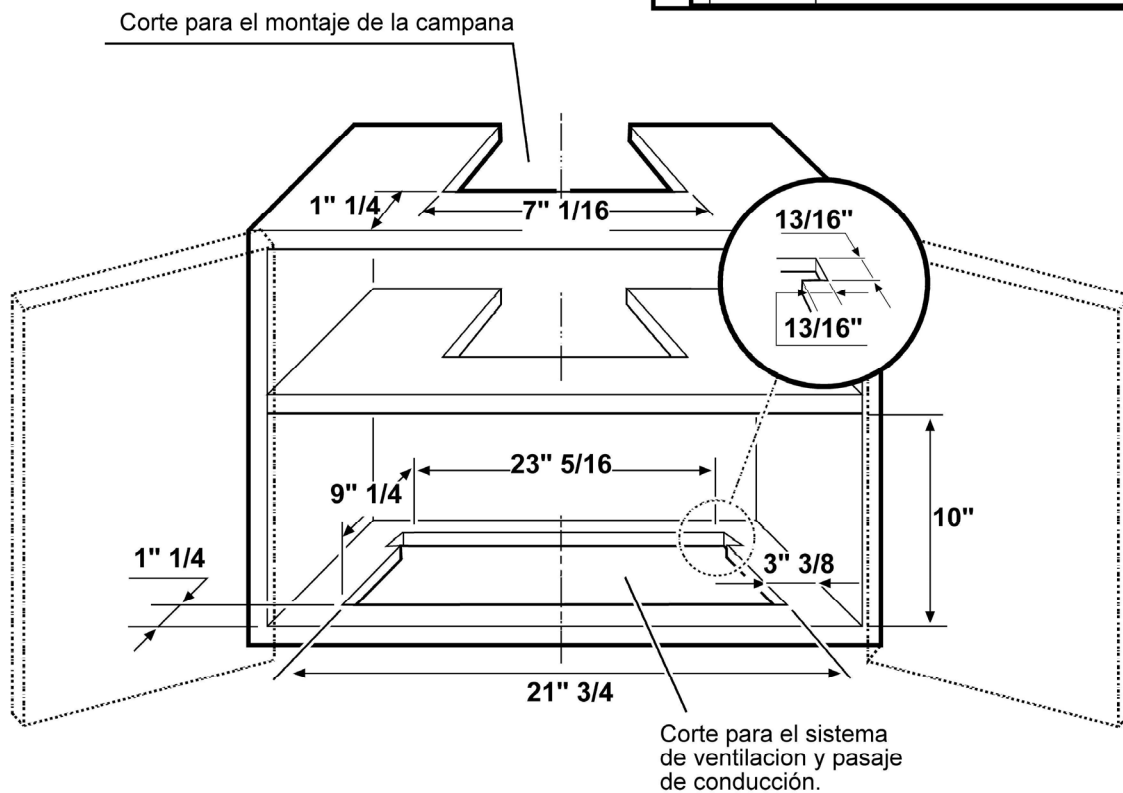
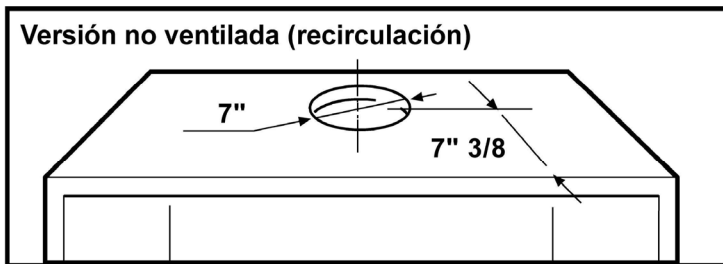
Piezas suministradas

- Alojamiento de unidad de ventilador
- Carcasa de la campana extractora
- 1 filtro metálico
- 2 bombillas halógenas
- Paquete con tornillos y elementos metálicos:
 - 1 transición
 - 1 llave Allen
 - 2 Abrazaderas inferiores
 - 2 Abrazaderas superiores
 - Guía de instalación, uso y mantenimiento
 - Plantilla
 - Paño
 - 2 tornillos de 2.9 x 9.5 (para sujetar la transición)
 - 4 tornillos de 4.5 x 16 (2 para sujetar el cajón a la parte inferior del gabinete+ 2 para sujetar el deflector)
 - 4 tornillos 5x18 (Tornillos de regulación)
 - 4 tornillos 3,5x9,5 x 4 (para sujetar las abrazaderas inferiores y superiores)

Piezas no suministradas

- Tubos, canal de cables y todas las herramientas necesarias para la instalación.
- Control remoto
- **Kit de conversión sin tubos** solamente se puede utilizar en la **versión sin tubos (recirculación)**
incluye: Filtro de carbón, soporte para el filtro de carbón, sujeción de metal y deflector.

Dimensiones y Espacios libres



Tipos de ductos y ejemplos

Siga detenidamente las instrucciones expuestas en este manual.

Se declina toda responsabilidad de cualquier inconveniencia, daños o incendios eventuales ocasionados por el incumplimiento de las instrucciones de este manual.

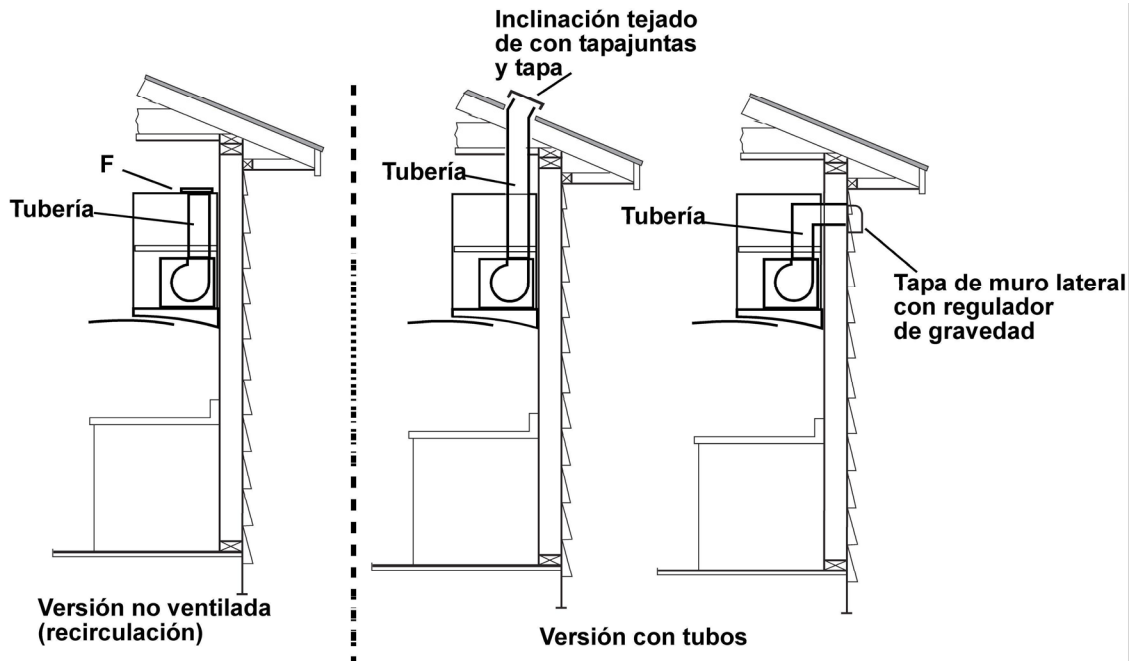
Métodos de ventilación

La campana está equipada con un cambio de sección **B** para la descarga de gases al exterior (**versión con tubos**).

En caso de que no sea posible la descarga de gases y del vapor procedentes de la cocina al exterior, la campana se puede utilizar en la **versión sin tubos (recirculación)**. Colocar un filtro de carbón sobre la parte interna del filtro de metal y el deflector **F** directamente sobre la transición (Gabinete sin techo) o en la parte superior del gabinete. Humos y vapores son reciclados directamente a través del deflector **F** (Gabinete sin techo) o a través de un tubo conectado hacia la transición **B** y el deflector **F**.

NOTA: Sólo para versión sin tubos (Recirculación): adquiera el kit de conversión sin tubos.

Tamaño mínimo de tubo (Versión con o sin tubos): Tubería redonda de 6".



Preparación

Esta campana está diseñada para ser instalada dentro de un gabinete (cobertor de la unidad de venteo solamente) y sujeta a la parte inferior de un gabinete. Asegurarse que el gabinete y la pared en donde se va a instalar la campana sean lo suficientemente fuertes como para soportar el peso de la campana. Chequear la parte inferior del gabinete para asegurarse que este está bien amarrado.

La parte interior del gabinete tiene que ser accesible

De todas maneras, un técnico calificado debe verificar que los materiales a utilizar sean los correctos de acuerdo al tipo de gabinete. Nosotros sugerimos montar el gabinete sobre la pared luego de haber instalado la campana.

Antes de comenzar con los cortes, asegurarse que hay suficiente espacio.

NOTA: solamente para versiones sin conducto (recirculares): asegurarse que existe suficiente espacio desde el techo y el deflector una vez que este último ha sido montado para dejar una adecuada circulación del aire.

La preferencia de la altura de instalación de la campana de los usuarios es por encima de la cocina. Cuanto más cerca esté la campana de la cocina, más eficaz resultará la captura de olores, grasa y humos.

PRECAUCIÓN: PARA LA INSTALACION DE ESTUFAS DE GAS: INSTALE ESTA CAMPANA DE TAL MANERA QUE LA CORNISA INFERIOR SE ENCUENTRA A NO MENOS DE 24" (61 CM) SOBRE LA SUPERFICIE DE COCCION.

PARA LA INSTALACION DE ESTUFAS ELECTRICAS: INSTALE ESTA CAMPANA DE TAL MANERA QUE LA CORNISA INFERIOR SE ENCUENTRA A NO MENOS DE 32" (81 cm) SOBRE LA SUPERFICIE DE COCCION.

Antes de seleccionar la campana, compruebe la altura del techo y la altura máxima de la campana.

Instalación

Instalación - Versión con tubos

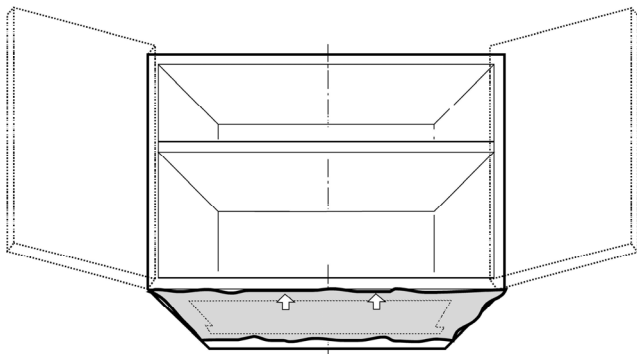
1. Si es posible, desconecte y mueva individualmente o deslice la cocina desde la apertura del armario para permitir un acceso fácil al muro posterior. De lo contrario, coloque una cubierta protectora gruesa sobre la encimera o la cocina para protegerla de daños o suciedad. Seleccione una superficie plana para montar la unidad. Coloque una cubierta protectora sobre la superficie y coloque en ella todas las piezas de la carcasa de la campana, tornillos y elementos metálicos.

2. Remover el filtro de metal (ver párrafo "Mantenimiento") para acceder al interior de la campana.

3. Realizar los cortes necesarios sobre el gabinete y la pared de acuerdo al párrafo de "dimensiones y espacio" para el montaje de la campana y el sistema de ventilación y pasaje de conducción.

Utilizar el accesorio tipo cuchillo proporcionado en el equipamiento.

Coloque la plantilla en el fondo del armario, controlar que las fechas diseñadas coincidan con el borde frontal del armario (sin tener en cuenta la puerta del armario). Agujerear como es indicado.



4. Instalar el sistema de ventilación antes que la campana. Referirse a los párrafos "Métodos de ventilación" y "Dimensiones y espacio".

Nota: para una instalación sin conducto de salida o de recirculación, comprar el juego para instalaciones sin conductos- recircular.

Gabinete sin techo:

No se requiere sistema de ventilación.

Gabinete con techo:

Se puede llegar a requerir un conducto de 6" para conectar la transición con el deflector.

5. Instalar un conducto lo suficientemente largo como para alcanzar la caja de empalme.

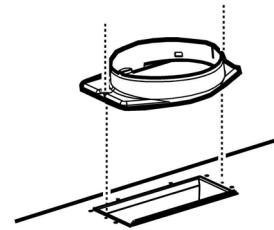
Pasar los cables a través del agujero de acuerdo con el código eléctrico nacional o CSA códigos y reglamentos comunes y locales.

Debe haber suficiente cable para poder realizar una conexión desde el fusible para apagar hasta la caja de empalme de la campana.

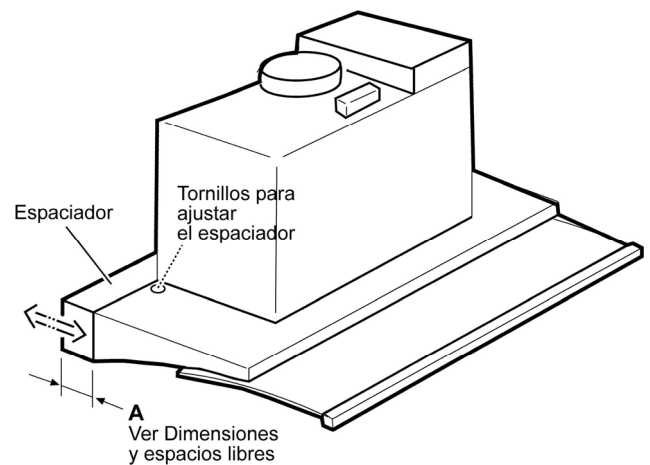
Utilizar masilla para sellar todas las aperturas realizadas en la pared.

No encender el equipo hasta que la instalación sea completa.

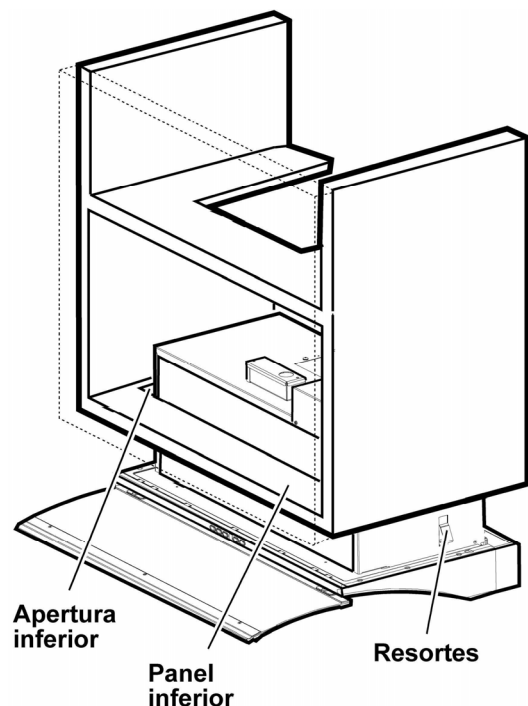
6. Introducir la transición sobre la parte superior de la campana.



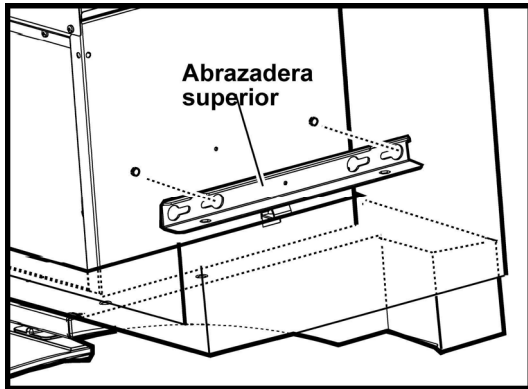
7. Regular la distancia para cubrir el espacio en el lado posterior, una vez que la campana fue instalada. (ver párrafo "Dimensiones y espacios libres" para más detalles) y asegurar con dos tornillos (uno de cada lado).



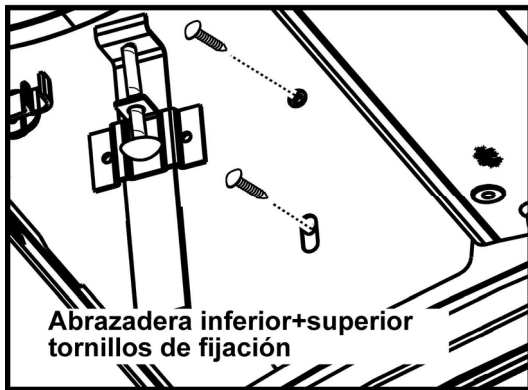
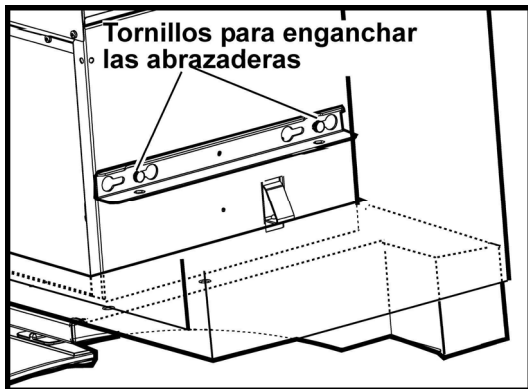
8. Introducir el armazón que recubre la unidad de ventilación dentro del gabinete a través del agujero de la parte inferior. Chequear que los resortes de ajuste queden encima de la parte inferior del panel.



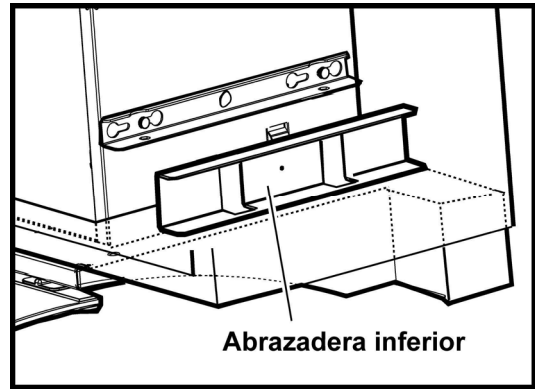
9. Aplicar dos abrazaderas (una de cada lado) en los laterales del vano del alojamiento de unidad de ventilador.....



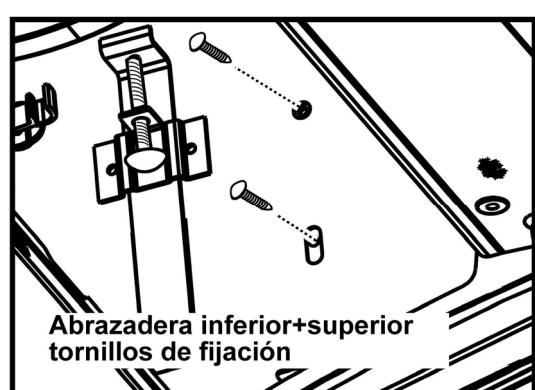
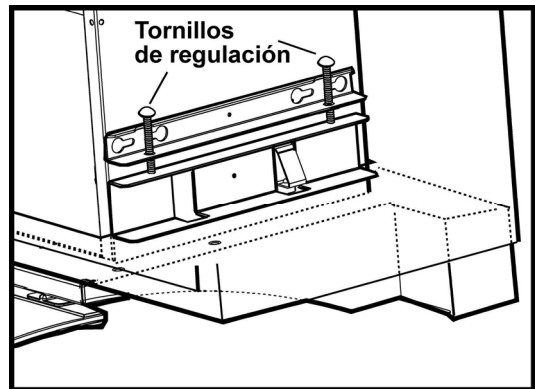
.....enganchar los tornillos (controlar que los bordes delanteros de cada abrazadera, cuando estén en posición, coincida con el lado delantero del alojamiento de unidad de ventilador) y apretarlos para enganchar las abrazaderas (2 tornillos por abrazaderas) y, desde lado interno de la campana, fijar definitivamente con 1 tornillo.....



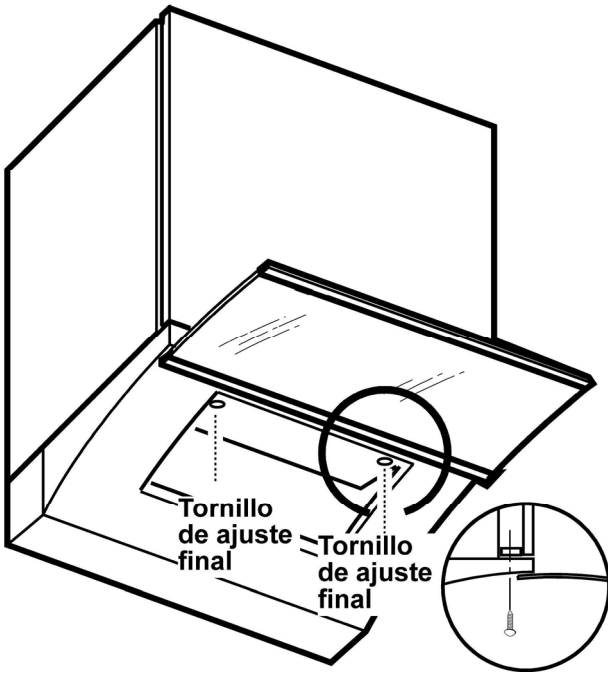
....Introducir las abrazaderas más gruesas (abrazaderas inferiores) debajo de las superiores....



.....atornillar los tornillos de regulación sobre las abrazaderas superiores de modo que estas ejerzan presión sobre las abrazaderas inferiores, controlar que de esta manera el alojamiento de unidad de ventilador quede bloqueado en su sede en el lado interno del armario de la pared, después, desde el lado interno de la campana, fijar las abrazaderas inferiores con 1 tornillo para cada abrazadera.



10. Terminar la instalación del gabinete ajustando los dos tornillos.



En el caso de **Versión no ventilada (recirculación)**
Gabinetes sin techo SOLAMENTE:
Instalar el deflector (disponible como extra en el kit)
sobre la transición – Colocar en su lugar.

11. Conectar el conducto a la transición. Sellar con cinta adhesiva. No utilizar conductos de un tamaño inferior al de la transición
En el caso de **Versión no ventilada (recirculación)**
Gabinetes sin techo SOLAMENTE:
Proveer e instalar una sección de conducto lo suficientemente largo como para conectar la transición del extractor con el deflector una vez que este ha sido instalado en el techo del gabinete (el deflector esta disponible como un extra en el kit).

12. **Conexión eléctrica**

ADVERTENCIA

Peligro de descarga eléctrica

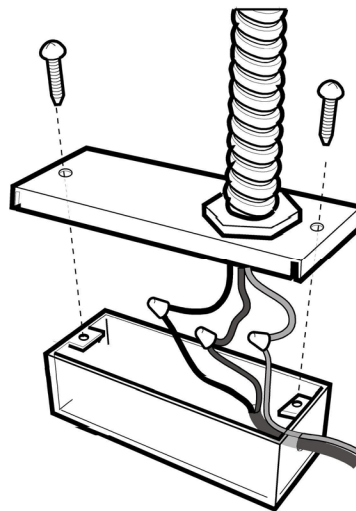
Advertencia: antes de realizar el cableado de este aparato, desactive el circuito de energía eléctrica en el panel de servicio.

Se requiere un circuito 120 VAC, 15 ó 20 A.

INSTRUCCIONES DE TOMA ELÉCTRICA
ESTE APARATO DISPONE DE UNA CAJA DE CONEXIONES ELÉCTRICAS CON 3 CABLES, UNO DE LOS CUALES (VERDE Y AMARILLO) SIRVE COMO TOMA DE TIERRA PARA EL APARATO PARA PROTEGERSE DE DESCARGAS ELÉCTRICAS, EL CABLE VERDE Y AMARILLO DEBE ESTAR CONECTADO AL CABLE DE TOMA A TIERRA DE SU SISTEMA DOMÉSTICO DE ELECTRICIDAD Y BAJO NINGUNA CIRCUNSTANCIA DEBE CORTARSE O ELIMINARSE.

De lo contrario, podría tener como resultado una descarga eléctrica o la muerte.

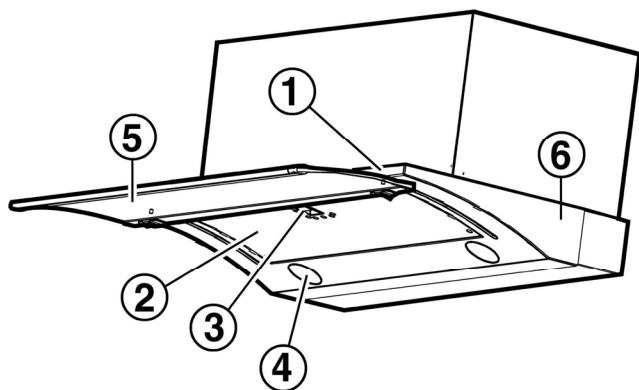
Retire el pestillo extraíble y la tapa de la caja de conexiones e instale el conector de canal de cables (Enumerado en cULUS) en la caja de conexiones.



Coloque 3 cables (Negro, blanco y verde) de acuerdo con el National Electrical Code y la normativa y las ordenanzas locales en el canal de cables de 1/2" del panel del servicio a la caja de conexiones.
Conecte el cable negro del panel de servicio al cable negro o rojo de la caja de conexiones, el cable blanco al blanco y el verde al verde-amarillo.
Cierre la tapa de la caja de conexiones.

13. En el caso de **Versión no ventilada (recirculación)**
Instalar el filtro de carbón (disponible como extra en el kit).
14. Chequear todos los bombillos para asegurarse que estén bien colocados y que no estén sueltos. Encender el equipo desde el panel de servicio.
Chequear que las luces y la función de ventilación funcionen de manera correcta.
15. Instalar el filtro.
- Si la campana extractora no funciona:**
- Compruebe si el disyuntor está desconectado o se han fundido los fusibles.
 - Desconecte el suministro eléctrico. Compruebe si el cableado es correcto.

Descripción de la campana y los controles

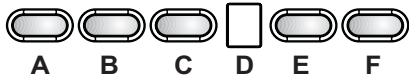


- 1 Panel de control
- 2 Filtro contra la grasa
- 3 Palanca de liberación del filtro contra la grasa
- 4 Lámpara halógena (la posición y el número de lámparas puede variar)
- 5 Cajón
- 6 Cubierta

Controles

Usar la potencia de aspiración mayor en caso de particular concentración de vapores de cocina. Aconsejamos de encender la aspiración 5 minutos antes de iniciar a cocinar y dejarla en función por otros 15 minutos aproximadamente.

Descripción del panel de control



- A** - Iluminación: luz tenue / luz plena / apagado (circuito de control) – Funciona aun cuando el extractor este en pausa y/o la tapa este cerrada.
 - B** - Poner la campana en pausa (Indicador lumínico de la parte inferior estará en ON/Encendido)
 - C** - Enciende / Apaga el temporizador de las velocidades seleccionadas (Muestra la velocidad elegida y el indicador lumínico destellara en la parte inferior del indicador) Esta perilla permite operar el extractor por periodos establecidos de:
 - 20 minutos si se selecciona **1**
 - 15 minutos si se selecciona **2**
 - 10 minutos si se selecciona **3**
 - 5 minutos si se selecciona la velocidad intensiva **P**
 - D** - Indicador muestra: velocidad de la campana (**1-2-3-P**), indicador de saturación del filtro(**F** para filtro de metal, **C** para filtro de carbón).

Nota: si esta utilizando el control remoto (ver párrafo "Lista de partes y accesorios) el indicador muestra una "b" intermitente que indica que hay que reemplazar la batería del control remoto.

Cuando el indicador lumínico de la parte inferior derecha esta encendido, este indica que el extractor esta listo para operar (posición de "Pausa"), si el indicador esta destellando, este indica que el temporizador ha sido activado a la velocidad seleccionada.

Cuidado!

La función que indica la saturación del filtro de carbón no esta activada.

Para activar el indicador de saturación del filtro de carbón, presione los botones **E** y **F** simultáneamente por 3 segundos. Al principio, solo aparecerá la letra **F**, luego de que hayan pasado 3 segundos, la letra **C** aparece también, indicando que el sistema de control para la saturación del filtro de carbón esta activada.

Para apagar el sistema, presionar nuevamente los mismos botones: la letra **C** aparecerá en el indicador y luego de 3 segundos esta desaparecerá y la unidad se habrá apagado.
 - E** - Perilla para disminuir la velocidad: desde velocidad intensiva **P** a nivel **1**.
 - F** - Perilla para incrementar (Pausa) la velocidad hasta intensiva **P**.
- Atención!** La velocidad intensiva **P** dura 5 minutos, luego el extractor automáticamente fija la velocidad en **2** (Succión)

Controlando el rango de la campana con la tapa

Al cerrar la tapa, todas las selecciones de velocidad y luces se apagan.
El extractor memoriza la ultima velocidad seleccionada (excepto **P** – velocidad intensiva) al momento de cerrar y reabrir la tapa.

Si el extractor no esta operando de manera correcta, sencillamente desenchufarlo por 5 segundos.
Luego, enchufarlo nuevamente e intentar esto nuevamente antes de contactar el servicio técnico.

Cuidado!

Siempre desconecte el ventilador **B** antes de desenchufar la campana.

Restablecer la señal del filtro de saturación

Presionar la perilla **B** por 3 segundos.
La letra **F** y/o **C** desaparecerán del indicador.

Mantenimiento

¡Atención! Antes de cualquier operación de limpieza o mantenimiento, retire la campana de la red eléctrica desconectando el enchufe o desconectando el interruptor general de la casa.

Limpieza

La campana debe ser limpiada con frecuencia tanto externamente como internamente (con la misma frecuencia con la que se realiza el mantenimiento de los filtros de grasa). Para la limpieza, utilice un paño impregnado de detergente líquido neutro. No utilice productos que contengan abrasivos. **¡NO UTILICE ALCOHOL!**

ATENCIÓN: De no observarse las instrucciones dadas para limpiar el aparato y sustituir el filtro, puede producirse un incendio. El fabricante recomienda leerlas y respetarlas atentamente.

El fabricante no se hace responsable por los daños al motor o los incendios provocados en el aparato debido a intervenciones de mantenimiento incorrectas o al incumplimiento de las normas de seguridad proporcionadas.

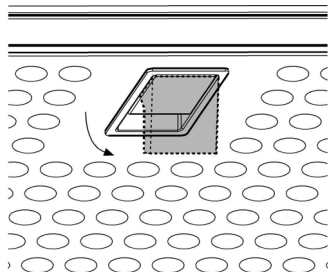
Filtro contra la grasa

Retiene las partículas de grasa producidas cuando se cocina.

Los filtros deben lavarse con frecuencia con detergentes no agresivos, manualmente o bien en lavavajillas a bajas temperaturas y con ciclo breve.

Con el lavado en el lavavajilla el filtro antigrasa metálico puede desteñirse pero sus características de filtrado no cambian absolutamente.

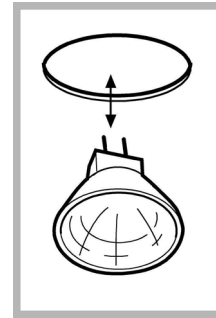
Para desmontar el filtro antigrasa, tirar de la manija de desenganche de muelle.



Sustitución de la bombilla

Desconecte el aparato de la red eléctrica.

Atención! Antes de tocar las lámparas asegúrese de que estén frías.



- Con un pequeño destornillador a punta de diamante, haga palanca sobre los bordes de la lámpara para sacarla.
- Desenrosque la lámpara que se desea cambiar y cambiarla con una 12V 20W 30° diámetro 35 12V gu4.
- Para el montaje de la lámpara nueva realice la operación en sentido inverso.

Si la iluminación no funciona, antes de llamar al servicio de asistencia técnica, controlar que las lámparas estén bien montadas en su sede.

