

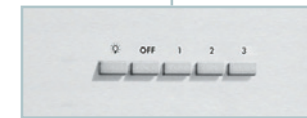
VULCANO

General Features

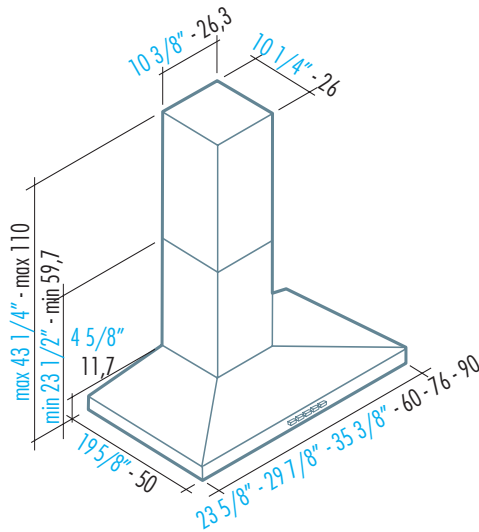
The Vulcano is a twist on the conventional pyramid shape with softer angles resulting in a classic elegant finish. Designed and crafted in Italy, using superior quality brushed AISI 430 stainless steel, for the ultimate fit and finish to last a life time. Airmec features two distinct power choices in most models to suit your individual needs.

The Vulcano XL - features professional style baffle filters.

Inch / Cm



User friendly controls



ARVUL24W3SS
ARVUL30W3SS
ARVUL36W3SS

ARVUX30W5SS
ARVUX36W5SS



VULCANO

wall	features						lighting & filters	
	Size	Performance	Controls	Speed levels	Duct specification	Sone range	Lighting	Replacement filters
ARVUL24W3SS	24" 60	280 CFM	Mechanical	3	4 3/4" - 12	2.5 - 4.0	2 x 20 halogen	metallic filter 278 x 301 mm
ARVUL30W3SS	30" 76	280 CFM	Mechanical	3	4 3/4" - 12	2.5 - 4.0	2 x 20 halogen	metallic filter 278 x 301 mm
ARVUL36W3SS	36" 90	280 CFM	Mechanical	3	4 3/4" - 12	2.5 - 4.0	2 x 20 halogen	metallic filter 278 x 301 mm

VULCANO XL

wall	features						lighting & filters	
	Size	Performance	Controls	Speed levels	Duct specification	Sone range	Lighting	Replacement filters
/								
ARVUX30W5SS	30" 76	600 CFM	Mechanical	3	6" - 15	3.5 - 6.0	2 x 20 halogen	Baffle 278 x 301 mm
ARVUX36W5SS	36" 90	600 CFM	Mechanical	3	6" - 15	3.5 - 6.0	2 x 20 halogen	Baffle 278 x 301 mm

AVAILABLE OPTIONAL ACCESSORIES: Duct Extension Kit KACL.510#1 - KACL.512#1, Charcoal Recirculating Kit, version mod. 3
Product specifications are subject to change without notification. Consult the installation instructions before you begin installing this rangehood.

AVAILABLE OPTIONAL ACCESSORIES: Duct Extension Kit KACL.510#1 - KACL.512#1, Charcoal Recirculating Kit, version mod. 3
Product specifications are subject to change without notification. Consult the installation instructions before you begin installing this rangehood.

VULCANO

air **mec**

