



IN HARMONY WITH NATURE,
YOUR LIFE, AND YOU.

Blomberg
seit 1883

24" Compact Electric Air Vented Dryer

DV17600W

Color Options: MODEL NUMBER White



KEY FEATURES

- Compact 24" dryer, designed to save space
- OptiSense™ sensor drying technology ensures no damp clothing
- Auto AntiCrease+ prevents wrinkles by tumbling clean clothes after cycle has finished

FINISH

White with chrome door

GENERAL

Capacity	3.7 cu. ft.
Dryer Load Capacity	15.4 lbs. (7kg)
Style	Front Loading
Drum Material	Stainless Steel
Control	Digital Display
Delay Time	0-24 hours
Remaining Time Display	Yes
AntiCrease+	Yes
Child Lock	Yes
Filter Cleaning Indicator	Yes
End Cycle Buzzer	Yes
Bidirectional drum action	Yes

PROGRAMS

Number of Programs	15
Cottons/ Normal	Yes
Perm Press	Yes
Heavy Duty	Yes
Mixed Fabric	Yes
Sanitize	Yes
Timed Dry (High Temperature)	Yes
Timed Dry (Low Temperature)	Yes
Air Fluff	Yes
Wool	Yes
Towel	Yes
Wrinkle Free	Yes
Delicates	Yes
Sportswear	Yes
Bedding	Yes
Quick Dry	Yes

ACCESSORY

Stacking Kit	Included (2961460038)
--------------	-----------------------

FINISHES

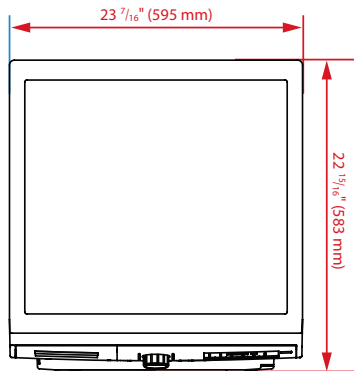
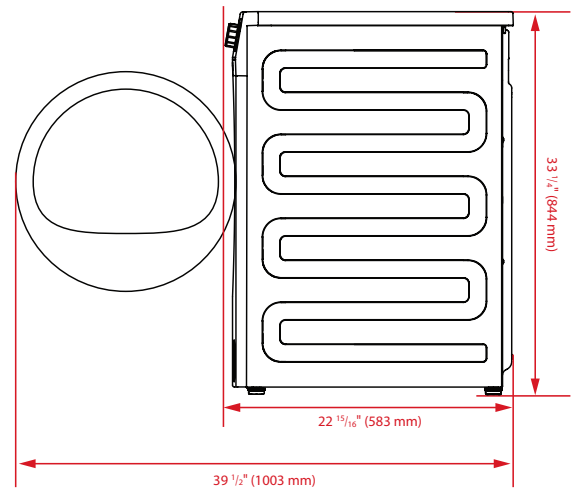
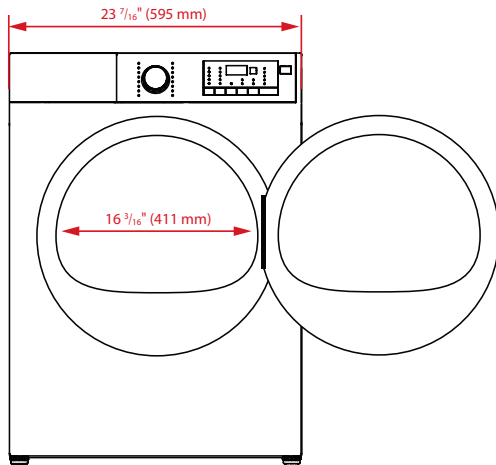
Unit	White with Chrome Door
------	------------------------

TECHNICAL FEATURES

Voltage / Frequency	208-240 V / 60Hz
Rated Current Amps	9.1-10.5 Amp
Pairs with	WM72200X
Plug	4-Pin, 208-240 V

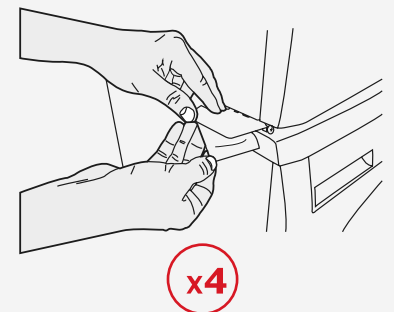
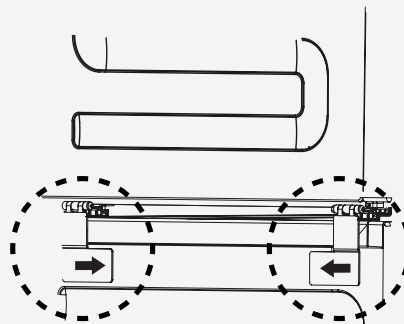
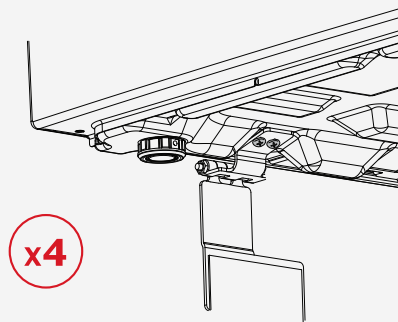
DIMENSIONS

Dimensions (H x W x D)	33 1/4" x 23 7/16" x 22 15/16"
Product Weight	73.4 lbs (33.3 kg)



Required Minimum Air Gap Clearance:
 6 1/4" (159 mm) Top
 1/2" (13 mm) Sides
 4" (102 mm) Back

Stacking Kit Details



NOTE TO THE INSTALLER: All height, width, and depth dimensions are shown in inches (as well as metric). Beko U.S., Inc. reserves the absolute and unrestricted right to change product materials and specifications, at any time, without notice. Please visit our website at www.BlomborgAppliances.com or call 888.352.2356 to verify the latest specifications with final dimensional data and other details prior to installation and making a cutout. Applicable product limited warranty information may be found in accompanying product materials, or you may contact your account manager for further details. Proper installation is the responsibility of the installer. Product failure due to improper installation is not covered under the Limited Warranty.

IN HARMONY WITH NATURE, YOUR LIFE, AND YOU.