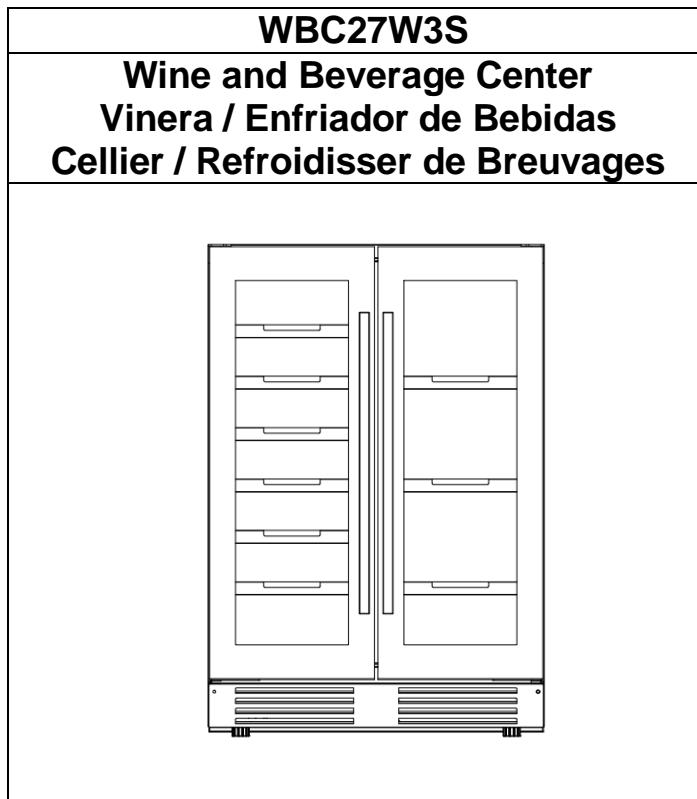




**INSTRUCTION MANUAL  
MANUAL DE INSTRUCCIONES  
MANUEL D'INSTRUCTIONS**

**Model Number / No. de Modelo / Modèle:**



**BEFORE USE, PLEASE READ AND FOLLOW ALL SAFETY RULES AND OPERATING INSTRUCTIONS.**

Avanti Products has a policy of continuous improvement on its products and reserves the right to change materials and specifications without notice.

---

**Avanti Products LLC**  
**P.O. Box 520604 - Miami, Florida 33152**  
**[www.avantiproducts.com](http://www.avantiproducts.com)**

---

## TABLE OF CONTENTS

Appliance Safety	3
Important Safeguides	4
Help us Help You	5
Parts and Features	6
Important Safety Instructions	7
Electrical Connection / Extension Cord	7
Installation Instructions	8
Before Using Your Appliance	8
Installation of Your Appliance	8
Built-in Cabinet Instructions	8
Installing the Stainless Steel Handles	9
Operating Your Appliance	10 – 11
ON / OFF Power	
Light Setting	
Temperature Setting	
Warning System	
Care and Maintenance	12
Cleaning Your Appliance	
Power Failure	
Moving Your Appliance	
Energy Saving Tips	
Charcoal Filtration System	
Troubleshooting Guide	13
Service for Your Appliance	14
Wiring Diagram	14
Your Avanti Products Warranty	15
Instrucciones en Español	16 – 25
Instructions en Français	26 - 38
Registration Form	Last Page

## APPLIANCE SAFETY

**Your safety and the safety of others are very important.**

We have provided many important safety messages in this manual and on your appliance. Always read and obey all safety messages.



This is the Safety Alert Symbol. This symbol alerts you to potential hazards that can kill or injure you and others. All safety messages will follow the Safety Alert Symbol and either the words "DANGER", "WARNING" or "CAUTION".



Danger means that failure to heed this safety statement may result in severe personal injury or death.



Warning means that failure to heed this safety statement may result in extensive product damage, serious personal injury, or death.



Caution means that failure to heed this safety statement may result in minor or moderate personal injury, or property or equipment damage.

All safety messages will alert you do what the potential hazard is, tell you how to reduce the chance of injury, and let you know what can happen if the instructions are not followed.

### REFRIGERANT GAS WARNINGS / AVERTISSEMENTS GAZ REFRIGERANT

**DANGER - Risk of fire or explosion. Flammable refrigerant used.**

**DO NOT use mechanical devices to defrost wine chiller. DO NOT puncture refrigerant tubing.**

**DANGER - Risk of fire or explosion. Flammable refrigerant used.**

**To be repaired only by trained service personnel. DO NOT puncture refrigerant tubing.**

**CAUTION - Risk of fire or explosion. Flammable refrigerant used.**

**Consult repair manual / owner's guide before attempting to service this product. All safety precautions must be followed.**

**CAUTION - Risk of fire or explosion. Dispose of property in accordance with federal or local regulations. Flammable refrigerant used.**

**CAUTION - Risk of fire or explosion due to puncture of refrigerant tubing; Follow handling instructions carefully. Flammable refrigerant used.**

**CAUTION-To Prevent A Child From Being Entrapped, Keep Out Of Reach Of Children And Not In The Vicinity Of Wine Chiller.**



**CAUTION-Risk of Fire**



## IMPORTANT SAFEGUIDES



Before the appliance is used, it must be properly positioned and installed as described in this manual, so read the manual carefully. To reduce the risk of fire, electrical shock or injury when using the appliance, follow basic precaution, including the following:

### **DANGER**

- Plug into a grounded 3-prong outlet, do not remove grounding prong, do not use an adapter, and do not use an extension cord.
- Replace all panels before operating.
- It is recommended that a separate circuit, serving only your appliance be provided. Use receptacles that cannot be turned off by a switch or pull chain.
- Never clean appliance parts with flammable fluids. These fumes can create a fire hazard or explosion. And do not store or use gasoline or other flammable vapors and liquids in the vicinity of this or any other appliance. The fumes can create a fire hazard or explosion.
- Before proceeding with cleaning and maintenance operations, make sure the power line of the unit is disconnected.
- Do not connect or disconnect the electric plug when your hands are wet.
- Unplug the appliance or disconnect power before cleaning or servicing. Failure to do so can result in electrical shock or death.
- Do not attempt to repair or replace any part of your appliance unless it is specifically recommended in this material. All other servicing should be referred to a qualified technician.

### **WARNING**

FOLLOW WARNING CALL OUTS BELOW ONLY WHEN APPLICABLE TO YOUR MODEL

- Use two or more people to move and install appliance. Failure to do so can result in back or other injury.
- To ensure proper ventilation for your appliance, the front of the unit must be completely unobstructed. Choose a well-ventilated area with temperatures above 60°F (16°C) and below 90°F (32°C). This unit must be installed in an area protected from the element, such as wind, rain, water spray or drips.
- The appliance should not be located next to ovens, grills or other sources of high heat.
- The appliance must be installed with all electrical, water and drain connections in accordance with state and local codes. A standard electrical supply (115 V AC only, 60 Hz), properly grounded in accordance with the National Electrical Code and local codes and ordinances is required.
- Do not kink or pinch the power supply cord of appliance.
- The fuse (or circuit breaker) size should be 15 amperes.
- It is important for the appliance to be leveled in order to work properly. You may need to make several adjustments to level it.
- Never allow children to operate, play with or crawl inside the appliance.
- Do not use solvent-based cleaning agents or abrasives on the interior. These cleaners may damage or discolor the interior.
- Do not use this apparatus for other than its intended purpose.

---

## HELP US HELP YOU...

### Read this guide carefully.

It is intended to help you operate and maintain your new unit properly.

Keep it handy to answer your questions. If you don't understand something or you need more assistance, please call:

**Avanti Customer Service  
800-220-5570**

Keep proof of original purchase date (such as your sales slip) with this guide to establish the warranty period.

### **CAUTION:**

THESE UNITS ARE NOT DESIGNED FOR THE STORAGE OF MEDICINE OR OTHER MEDICAL PRODUCTS.

### Write down the model and serial numbers.

You'll find them on a plate located on the rear outside wall of unit.

Please write these numbers here:

\_\_\_\_\_  
Date of Purchase

\_\_\_\_\_  
Model Number

\_\_\_\_\_  
Serial Number

Use these numbers in any correspondence or service calls concerning your unit.

If you received a damaged unit, immediately contact the dealer (or builder) that sold you the unit.

Save time and money. Before you call for service, check the Troubleshooting Guide. It lists causes of minor operating problems that you can correct yourself.

---

## IF YOU NEED SERVICE

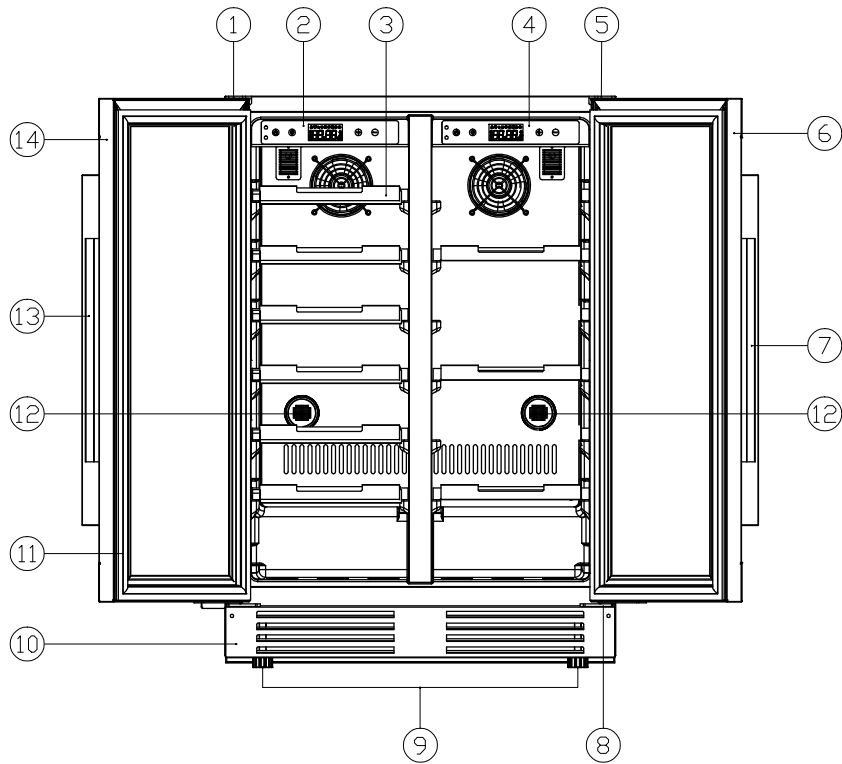
We're proud of our service and want you to be pleased. If for some reason you are not happy with the service you receive, here are some steps to follow for further assistance.

FIRST, contact the people who serviced your unit. Explain why you are not pleased. In most cases, this will solve the problem.

NEXT, if you are still not pleased, write all the details, including your telephone number, and send it to:

**Customer Service  
Avanti Products  
10880 NW 30 Street  
Miami, FL 33172 USA**

## PARTS & FEATURES



<b>1</b>	<b>Left Upper hinge</b>
<b>2</b>	<b>Left Zone Control Panel</b>
<b>3</b>	<b>Shelves (6)</b>
<b>4</b>	<b>Right Zone Control Panel</b>
<b>5</b>	<b>Right Upper hinge</b>
<b>6</b>	<b>Right Door</b>
<b>7</b>	<b>Right Door handle</b>
<b>8</b>	<b>Right Lower hinge</b>
<b>9</b>	<b>Adjustable feet</b>
<b>10</b>	<b>Kick Plate</b>
<b>11</b>	<b>Door Seal</b>
<b>12</b>	<b>Carbon Filter Assembly (2)</b>
<b>13</b>	<b>Left Door Handle</b>
<b>14</b>	<b>Left Door</b>

## IMPORTANT SAFETY INSTRUCTIONS

<b>⚡ WARNING ⚡</b>	To reduce the risk of fire, electrical shock, or injury when using your appliance, follow these basic precautions:
<ul style="list-style-type: none"><li>• Read all instructions before using the appliance.</li><li>• <b>DANGER or WARNING:</b> Risk of child entrapment. Child entrapment and suffocation are not problems of the past. Junked or abandoned appliances are still dangerous . . . even if they will “just sit in the garage a few days”.</li><li>• <b>Before you throw away your old appliance:</b> Take off the door. Leave the shelves in place so that children may not easily climb inside.</li><li>• Never allow children to operate, play with, or crawl inside the appliance.</li><li>• Never clean appliance parts with flammable fluids. The fumes can create a fire hazard or explosion.</li><li>• Do not store or use gasoline or any other flammable vapors and liquids in the vicinity of this or any other appliance. The fumes can create a fire hazard or explosion.</li></ul> <p style="text-align: center;">-Save these instructions-</p>	

### ➤ **ELECTRICAL CONNECTION**

<b>⚡ Warning ⚡</b>
Improper use of the grounded plug can result in the risk of electrical shock. If the power cord is damaged, have it replaced by an authorized Avanti Products service center.

This appliance should be properly grounded for your safety. The power cord of this appliance is equipped with a three-prong plug which mates with standard three prong wall outlets to minimize the possibility of electrical shock.

Do not under any circumstances cut or remove the third ground prong from the power cord supplied. For personal safety, this appliance must be properly grounded.

This appliance requires a standard 115/120 Volt AC ~/60Hz electrical ground outlet with three-prong. Have the wall outlet and circuit checked by a qualified electrician to make sure the outlet is properly grounded. When a standard 2-prong wall outlet is encountered, it is your responsibility and obligation to have it replaced with a properly grounded 3-prong wall outlet.

The cord should be secured behind the appliance and not left exposed or dangling to prevent accidental injury.

The appliance should always be plugged into its own individual electrical outlet which has a voltage rating that matches the rating label on the appliance. This provides the best performance and also prevent overloading house wiring circuits that could cause a fire hazard from overheated. Never unplug the appliance by pulling the power cord. Always grip the plug firmly and pull straight out from the receptacle. Repair or replace immediately all power cords that have become frayed or otherwise damaged. Do not use a cord that shows cracks or abrasion damage along its length or at either end. When moving the appliance, be careful not to damage the power cord.

### ➤ **EXTENSION CORD**

Because of potential safety hazards under certain conditions, it is strongly recommended that you do not use an extension cord with this appliance. However, if you must use an extension cord it is absolutely necessary that it be a UL/CUL-Listed, 3-wire grounding type appliance extension cord having a grounding type plug and outlet and that the electrical rating of the cord be 115 volts and at least 10 amperes.

## INSTALLATION INSTRUCTIONS

### ➤ **BEFORE USING YOUR APPLIANCE**

- Remove the exterior and interior packing.
- Check to be sure you have all of the following parts:

1	Instruction Manual
6	Wooden Shelves
1	Wire Shelf
2	Glass Shelves
2	Handles

- Before connecting this appliance to the power source, let it stand upright for approximately 2 hours. This will reduce the possibility of a malfunction in the cooling system from handling during transportation.
- Clean the interior surface with lukewarm water using a soft cloth.

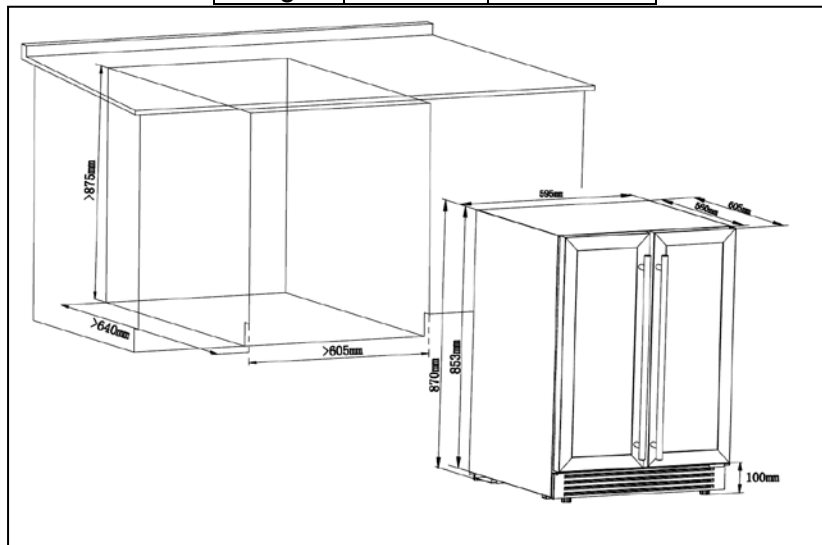
### ➤ **INSTALLATION OF YOUR APPLIANCE**

- This appliance is designed to be for free standing installation or built-in (fully recessed).
- Place your appliance on a floor that is strong enough to support it when it is fully loaded. To level your appliance, adjust the front leveling legs at the bottom of the appliance.
- Locate the appliance away from direct sunlight and sources of heat (stove, heater, radiator, etc.). Direct sunlight may affect the acrylic coating and heat sources may increase electrical consumption. Extreme cold ambient temperatures may also cause the unit not to perform properly.
- Avoid locating the unit in moist areas.
- Plug the appliance into an exclusive, properly installed-grounded wall outlet. Do not under any circumstances cut or remove the third (ground) prong from the power cord. Any questions concerning power and/or grounding should be directed toward a certified electrician or an authorized Avanti Products service center.

### ➤ **BUILT – IN CABINET INSTRUCTIONS**

This unit is designed for both built-in or free standing installation. If you plan to use this unit in a built-in application please follow the requirements shown to the right.

Cabinet Opening Dimensions		
	IN (min)	CM (min)
Width	24	61
Depth	24	61
Height	34 ½	87.6

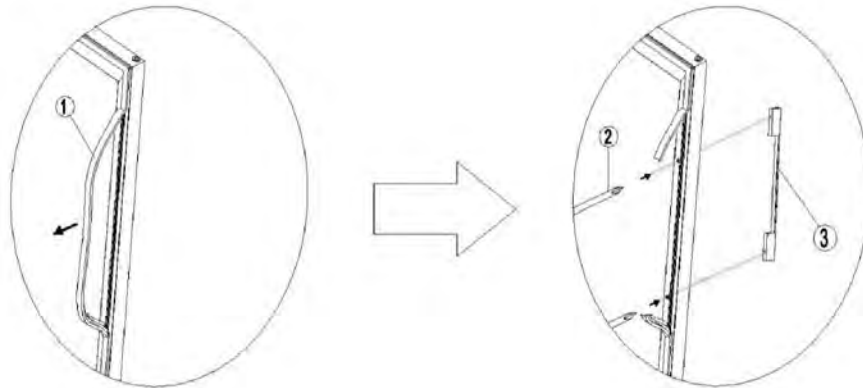




➤ **INSTALLING STAINLESS STEEL HANDLE**

This beverage cooler includes a stainless steel handle that is not required to operate this unit. To install the handle please follow the below instructions:

1. Pull away the door gasket in the area where the handle is to be installed as shown below in Illustration # 1. The gasket is easily displaced by hand, no tools are necessary.
2. Align the handle with the screws pre-installed on the backside of the door. Tighten the screws using a Phillips head screwdriver until the handle sets both flush and secured tightly against the door frame. (DO NOT overtighten as this will cause damage to the handle assembly).
3. Replace the door gasket to its original position.



① Gasket

② Screwdriver

③ Handle

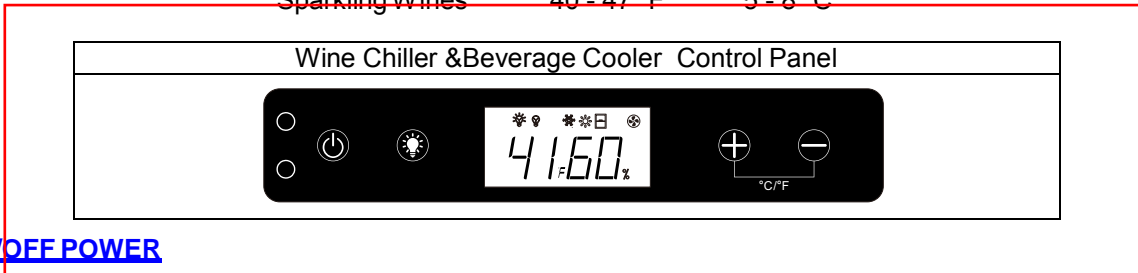
## OPERATING YOUR APPLIANCE

It is recommended you install the appliance in a place where the ambient temperature is between 72- 78 degrees Fahrenheit. If the ambient temperature is above or below recommended temperatures, the performance of the unit may be affected. For example, placing your unit in extreme cold or hot conditions may cause interior temperatures to fluctuate. The average temperature range of 40-65 degrees Fahrenheit may not be reached.

Temperature Ranges by Side / Zone		
WINE Chiller (LEFT SIDE)	37° - 65° F	4° - 18° C
BEVERAGE COOLER (RIGHT SIDE)	40° - 65° F	3° - 18° C

### Recommended Temperatures for Chilling Wine.

Red Wines	58 - 65 °F	15 - 18 °C
Dry / White Wines	48 - 57 °F	10 - 14 °C
Rose Wines	49 - 51 °F	9 - 11 °C
Sparkling Wines	40 - 47 °F	5 - 8 °C



### ON/OFF POWER



- Press and hold for 2 seconds on control panel to turn on or turn off the cooler, when cooler is turned off, the appliance will stop working.

### LIGHT SETTING



- There are two light modes, press and hold for 3 seconds to select light mode.

1. Light on and off mode: The default setting of light will be controlled by sensor and LCD screen will show , when door is opened, the light will turn on automatically, when door is closed the light will be turned off.



2. Light on model: Press and hold for 3 seconds to enter light on mode, when in this mode,

LCD screen will display and light will always be on.

### TEMPERATURE SETTING

- Press or to adjust the temperature of the appliance, and each press on the button will alter the temperature by 1°F.

- Press and together and hold for 3 seconds to change temperature display from Celsius to Fahrenheit

## WARNING SYSTEM

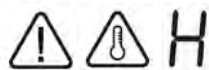
1. Door open alarm: When door has been opened for over 5 minutes, door open alarm will be on and LCD screen display and beep 3 times every 5 seconds, press any key or close the door to stop the alarm .



2. Low temperature alarm: When inside temperature is below 2°C for over 3 hours, it will beep to alarm; Press any key to stop the beeping alarm.



3. High temperature alarm: When inside temperature is above 25°C for over 6 hours, it will beep to alarm; Press any key to stop the beeping alarm.



## CARE AND MAINTENANCE

### ➤ **CLEANING YOUR APPLIANCE**

- Turn off the power, unplug the appliance, and remove all items including shelves.
- Wash the inside surfaces with a warm water and baking soda solution. The solution should be about 2 tablespoons of baking soda to a quart of water.
- Wash the shelves with a mild detergent solution.
- Wring excess water out of the sponge or cloth when cleaning area of the controls, or any electrical parts.
- Wash the outside cabinet with warm water and mild liquid detergent. Rinse well and wipe dry with a clean soft cloth.
- Do not use steel wool or steel brush on the stainless steel. These will contaminate the stainless steel with steel particles and rusting may occur.

### ➤ **POWER FAILURE**

- Most power failures are corrected within a few hours and should not affect the temperature of your appliance if you minimize the number of times the door is opened. If the power is going to be off for a longer period of time, you need to take the proper steps to protect your contents.

### ➤ **MOVING YOUR APPLIANCE**

- Remove all items.
- Securely tape down all loose items (shelves) inside your appliance.
- Tape the door shut.
- Be sure the appliance stays secure in the upright position during transportation. Also protect outside of appliance with a blanket, or similar item.

### ➤ **ENERGY SAVING TIPS**

- The appliance should be located in the coolest area of the room, away from heat producing appliances, and out of the direct sunlight.

### ➤ **CHARCOAL FILTRATION SYSTEM**

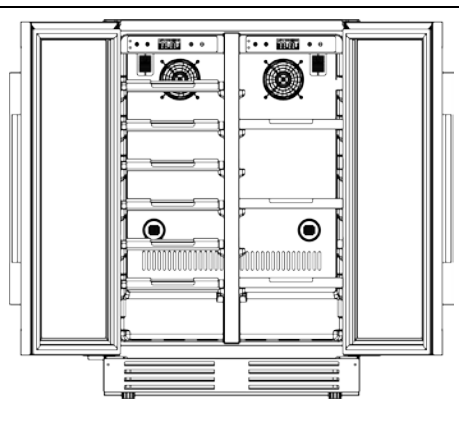
Your wine is a living object that breathes through the cork of its bottle. In order to preserve the quality and taste of your fine wines, they must be stored at the ideal temperature and ambient conditions.

Your cellar is equipped with an active charcoal filtration system to ensure air purity, cooling efficiency, and to maintain an odor free cabinet for the storage of your good wine. The filter assembly is located at the rear panel inside your cooler.

Keep in mind, that this filter must be changed every 12 months.

To replace your filter:

1	Remove the bottles / cans stored on the two (2) shelves in front of the filter.
2	Remove the shelves and set aside to be replaced once you have changed the filter
3	Hold the filter and turn it at 90 degrees in the counter-clockwise direction and then pull it out.
4	Remove the existing filter and replace with a new one.
5	Put the new filter into the hole and then turn the filter at 90 degrees in clockwise direction..



## PROBLEMS WITH YOUR APPLIANCE?

You can solve many common problems easily, saving you the cost of a possible service call. Try the suggestions below to see if you can solve the problem before calling the servicer.

### TROUBLESHOOTING GUIDE

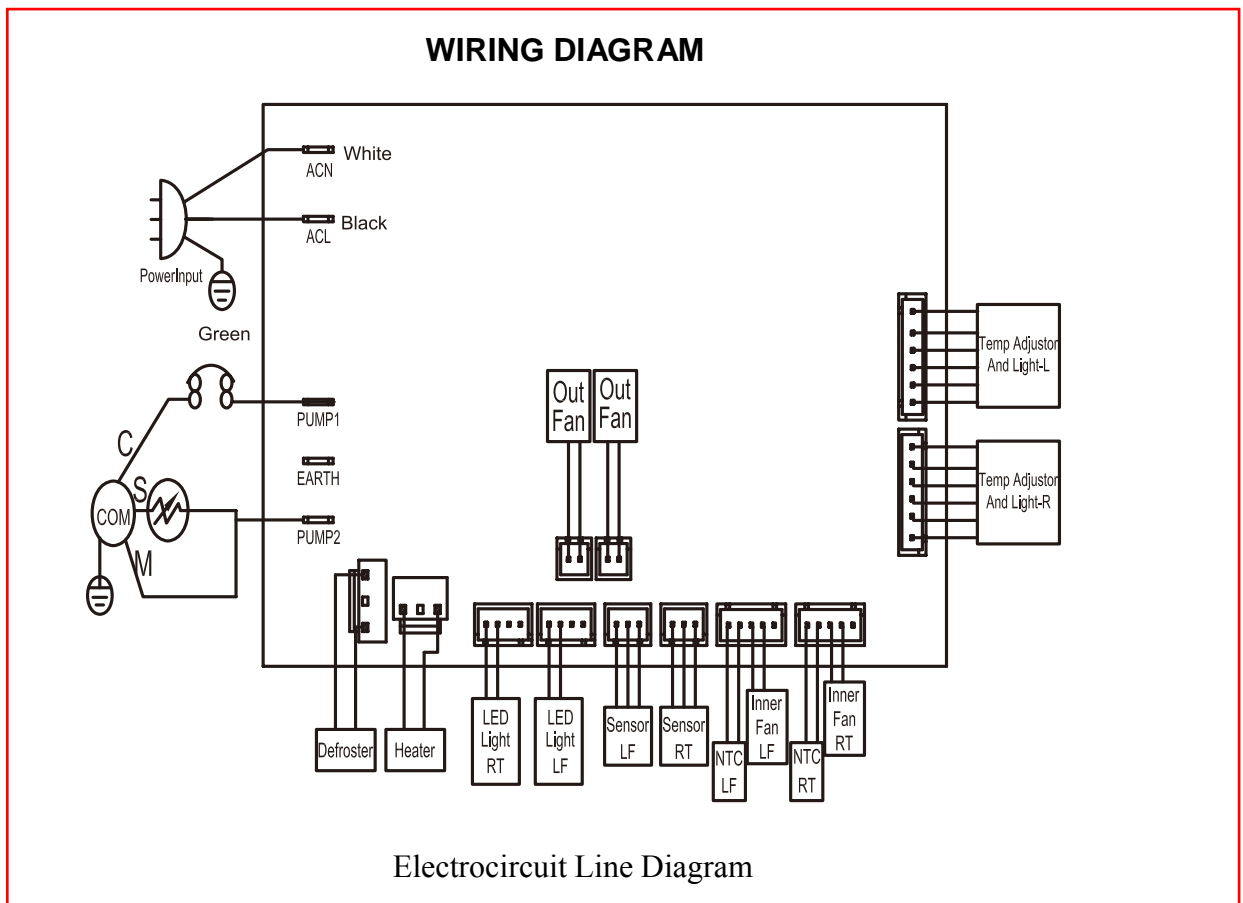
PROBLEM	POSSIBLE CAUSE
Appliance does not operate.	Not plugged in. The appliance is turned off. The circuit breaker tripped or a blown fuse.
Appliance is not cold enough.	Check the temperature control setting. External environment may require a higher setting. The door is opened too often. The door is not closed completely. The door gasket does not seal properly.
Turns on and off frequently.	The room temperature is hotter than normal. A large amount of contents has been added to the unit. The door is opened too often. The door is not closed completely. The temperature control is not set correctly. The door gasket does not seal properly.
The light does not work.	Not plugged in. The circuit breaker tripped or a blown fuse. The light button is "OFF".
Vibrations.	Check to assure that the appliance is level.
The appliance seems to make too much noise.	The rattling noise may come from the flow of the refrigerant, which is normal. As each cycle ends, you may hear gurgling sounds caused by the flow of refrigerant in your appliance. Contraction and expansion of the inside walls may cause popping and crackling noises. The appliance is not level.
The door will not close properly.	The appliance is not level. The gasket is dirty. The shelves are out of position.
Display flashes Error message "H1 or H2"	Temperature sensor failure. Contact the Avanti Service Department 1 - 800 - 220 - 5570
Display flashes Error message "L1 or L2"	Temperature sensor failure. Contact the Avanti Service Department 1 - 800 - 220 - 5570
Display flashes Error message "F1 or F2"	Inner Fan Failure. Contact the Avanti Service Department 1 - 800 - 220 - 5570

## SERVICE FOR YOUR APPLIANCE

We are proud of our customer service organization and the network of professional service technicians that provide service on your Avanti appliances. With the purchase of your Avanti appliance, you can have the confidence that if you ever need additional information or assistance, the Avanti Products Customer Service team will be here for you. Just call us toll-free.

### AVANTI PRODUCTS CUSTOMER SERVICES

Product Information 800-323-5029	Whatever your questions are about our products, help is available.
Part Orders 800-220-5570	You may order parts and accessories that will be delivered directly to your home by personal check, money order, Master Card, or Visa.
In-Home Repair Service 800-220-5570	An Avanti Products authorized service center will provide expert repair service, scheduled at a time that is convenient for you. Our trained servicers know your appliance inside and out.



<b>YOUR AVANTI PRODUCTS WARRANTY</b>	Staple your sales receipt here. Proof of original purchase date is needed to obtain service under warranty.
<b><u>WHAT IS COVERED – LIMITED ONE-YEAR WARRANTY</u></b>	
<p>Avanti Products warrants that the product is free from defects in materials and/or workmanship for a period of twelve (12) months from the date of purchase by the original owner. The foregoing timeline begins to run upon the date of purchase, and shall not be stalled, tolled, extended, or suspended for any reason whatsoever unless described in detail in the warranty document. For one year from the date of purchase by the original owner, Avanti products will, at its option, repair or replace any part of the product which proves to be defective in material or workmanship under normal use. Avanti Products will provide you with a reasonably similar product that is either new or factory refurbished. During this period Avanti Products will provide all parts and labor necessary to correct such defects free of charge, so long as the product has been installed and operated in accordance with the written instructions in this manual. In rental or commercial use, the warranty period is 90 days. All Avanti appliances of 4.2 cubic feet capacity or less must be brought/sent to the appliance service center for repair.</p>	
<b><u>LIMITED SECOND THROUGH FIFTH YEAR WARRANTY</u></b>	
<p>For the second through the fifth year from the date of original purchase, Avanti Products will provide a replacement compressor free of charge due to a failure. You are responsible for the service labor and freight charges. In rental or commercial use, the limited compressor warranty is one year and nine months. Costs involved to move the product to the service center and back to the user's home, as maybe required, are the user's responsibility.</p>	
<b><u>WARRANTY EXCLUSIONS / WHAT IS NOT COVERED:</u></b>	
<p>The warranty coverage described herein excludes all defects or damage that are not the direct fault of Avanti Products, including without limitation, one or more of the following:</p>	
<ul style="list-style-type: none"> <li>• A failure to comply with any applicable state, local, city, or county electrical, plumbing and/or building codes, regulations, or laws, including failure to install the product in strict conformity with local fire and building codes and regulations.</li> <li>• Any external, elemental and/or environmental forces and factors, including without limitation, rain, wind, sand, floods, fires, mud slides, freezing temperatures, excessive moisture or extended exposure to humidity, lightning, power surges, structural failures surrounding the appliance, and acts of God.</li> </ul>	
<ul style="list-style-type: none"> <li>• Content losses of food or other content due to spoilage.</li> <li>• Incidental or consequential damages</li> <li>• Parts and labor costs for the following will not be considered as warranty: <ul style="list-style-type: none"> <li>• Evaporator doors, door springs, and/or frames.</li> <li>• Inner door panels, door shelves, door rails, and/or door supports.</li> <li>• Light bulbs and/or plastic housing.</li> <li>• Plastic cabinet liners.</li> <li>• Punctured evaporator that voids the warranty on the complete sealed system.</li> </ul> </li> </ul>	<ul style="list-style-type: none"> <li>• Shipping and handling costs associated with the replacement of the unit.</li> <li>• Repairs performed by unauthorized servicers.</li> <li>• Service calls that are related to external problems, such as abuse, misuse, inadequate electrical power, accidents, fire, floods, or any other acts of God.</li> <li>• Failure of the product if it is used for other than it intended purpose.</li> <li>• The warranty does not apply outside the Continental USA.</li> <li>• Surcharges including but not limited to, any after hour, weekend, or holiday service calls, tolls, ferry trip charges, or mileage expense for service calls to remote areas.</li> </ul>
<p>In no event shall Avanti Products have any liability or responsibility whatsoever for damage to surrounding property, including cabinetry, floors, ceilings, and other structures and/or objects around the product. Also excluded from this warranty are scratches, nicks, minor dents, and other cosmetic damages on external surfaces and exposed parts; Products on which the serial numbers have been altered, defaced or removed; service visits for customer education, or visits where there is nothing wrong with the product; correction of installation problems (you are solely responsible for any structure and setting for the product, including all electrical, plumbing and/or other connecting facilities, for proper foundation/flooring, and for any alterations including without limitation cabinetry, walls, floors, shelving etc., as well as the resetting of breakers or fuses.</p>	
<b><u>OUT OF WARRANTY PRODUCT</u></b>	
<p>Avanti Products is under no obligation, at law or otherwise, to provide you with any concessions, including repairs, pro-rates, or product replacement, once this warranty has expired.</p>	

WARRANTY – REFRIGERATION - COMPRESSOR

## **MEDIDAS DE SEGURIDAD IMPORTANTES**



Antes de enfriador de bebidas se utiliza, debe ser colocado correctamente e instalado como descrito en este manual, así que lea cuidadosamente el manual. Para reducir el riesgo de incendio, descarga eléctrica o lesiones al utilizar el enfriador de bebidas, Siga las precauciones básicas, incluyendo las siguientes



- Enchufe en unas 3 clavijas con conexión a tierra toma de corriente, hacer No retire de puesta a tierra púa, hacer No utilice un adaptador, y no utilice un cable de extensión
- Reemplazar todos los paneles antes operativos
- Eso se recomienda usar un circuito separado, que sólo sirve a su enfriador de bebidas, ser proporcionado. Use recipientes ese no poder ser desactivado por un interruptor o cadena
- Nunca limpia electrodoméstico piezas con líquidos inflamables. Estos vapores pueden crear un riesgo de incendio o explosión. Y no almacene ni use gasolina u otros vapores y líquidos inflamables en la proximidad de este o cualquier otro electrodoméstico. Los vapores pueden crear un riesgo de incendio o explosión.
- Antes de proceder con las operaciones de limpieza y mantenimiento, asegúrese de que la línea de alimentación de la unidad se desconecta.
- hacer No conecte o desconecte el enchufe eléctrico con las manos mojadas
- Desenchufe el electrodoméstico o desconectar la alimentación antes de la limpieza o el mantenimiento. El no hacerlo puede provocar una descarga eléctrica o la muerte.
- hacer No intente reparar o reemplazar cualquier parte de su electrodoméstico a menos que se recomiende específicamente en este material. Cualquier otro servicio debe ser realizado por un técnico cualificado.



- Se recomienda utilizar dos o más personas para mover e instalar el electrodoméstico. El aparato es pesado y puede resultar en daños de la espalda u otras lesiones.
- Para garantizar una ventilación adecuada para su electrodoméstico, la unidad debe estar completamente despejada. Elija un área bien ventilada con temperaturas superiores a 55°F (13°C) y por debajo de 90°F (32°C). Esta unidad debe ser instalada en un área protegida de los elementos, tales como el viento, la lluvia, rocío de agua o luz de sol.
- El electrodoméstico no debe colocarse cerca de hornos, parrillas u otras fuentes de calor.
- El electrodoméstico debe ser instalado con todas las conexiones eléctricas, de agua y de desagüe según los códigos estatales y locales. Hace falta un suministro eléctrico estándar (sólo 115 V CA, 60 Hz), debidamente conectada a tierra de acuerdo con el Código Eléctrico Nacional y los códigos y ordenanzas locales.
- Hacer No doble ni apriete el cable de alimentación del electrodoméstico.
- Los fusibles (o disyuntor) tamaño debe ser de 15 amperios.
- Eso Es importante que el electrodoméstico a nivelarse con el fin de funcionar correctamente. Puede que tenga que hacer varios ajustes para nivelarla.
- Toda la instalación debe realizarse de acuerdo con los requerimientos locales de plomería.
- Asegúrese de que los tubos no están aplastar ni dañado durante instalación.
- Compruebe si hay fugas después de la conexión.
- Nunca permita que los niños operen, jueguen o gateen el interior del electrodoméstico
- Hacer No utilice productos de limpieza a base de disolvente-abrasivos en el interior. Estos limpiadores pueden dañar o decolorar el interior.
- No utilice este electrodoméstico para que no sea su finalidad.
- Do not use this apparatus for other than its intended purpose.



## Ayúdenos a ayudarte...

### Lea detenidamente esta guía.

Se pretende que ayuden a utilizar y mantener su nuevo electrodoméstico correctamente.

Mantenga a la mano para responder a sus preguntas.

Si no entiende algo o si necesita más ayuda, por favor llame a:

**Avanti Servicio al Cliente**  
**800-220-5570**

Mantenga prueba de la fecha original de compra (como el recibo de venta) con esta guía para establecer el período de garantía.

### **PRECAUCIÓN:**

**ESTE ELECTRODOMÉSTICO NO ESTÁ DISEÑADO PARA EL ALMACENAMIENTO DE MEDICINA U OTROS PRODUCTOS MÉDICOS.**

### Escribir se establece el modelo y número de serie.

Los encontrará en una placa situada en la pared exterior trasera del electrodoméstico.

Por favor, escriba estos números aquí:

\_\_\_\_\_  
Fecha de compra

\_\_\_\_\_  
Número de modelo

\_\_\_\_\_  
Número de serie

Utilice estos números en cualquier correspondencia o llamadas de servicio con respecto a su electrodoméstico.

Si ha recibido un electrodoméstico dañado, póngase inmediatamente en contacto con el distribuidor (o constructor) que le vendió el electrodoméstico.

Ahorrar tiempo y dinero. Antes de llamar al servicio técnico, consulte la Guía de solución de problemas. En él se enumeran las causas de los problemas de funcionamiento de menor importancia que se pueden corregir a sí mismo.

## Si necesita servicio

Estamos orgullosos de nuestro servicio y queremos que usted esté satisfecho. Si por alguna razón usted no está satisfecho con el servicio que recibe, aquí hay algunos pasos a seguir para obtener más ayuda.

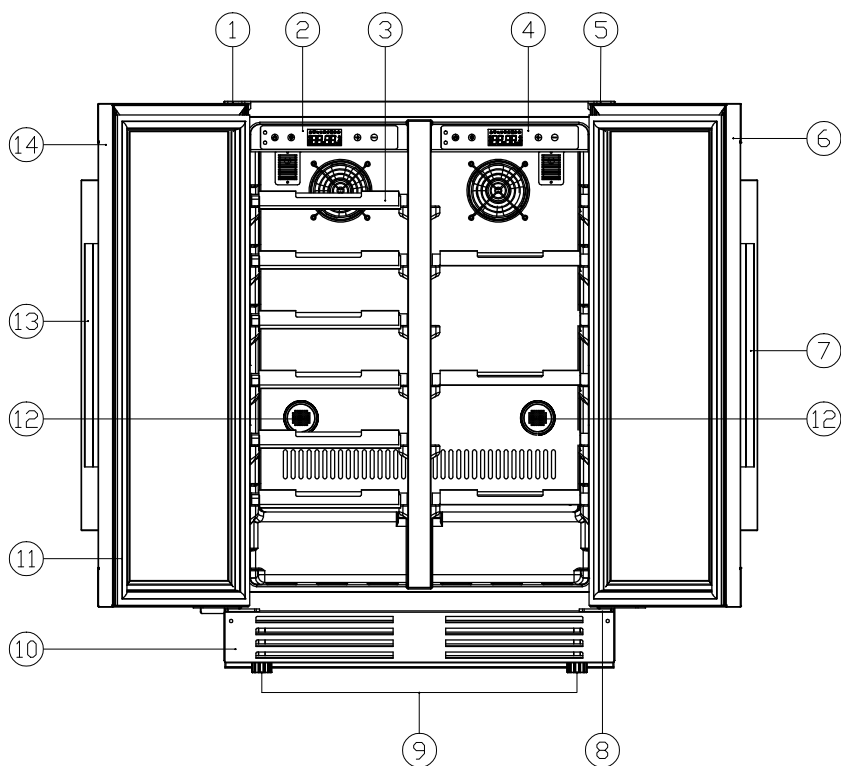
PRIMERA, póngase en contacto con las personas que servicio de reparación del electrodoméstico.

Explicar por qué usted no está satisfecho. En la mayoría de los casos, esto va a resolver el problema.

A continuación, si usted todavía no está contento, escribir todos los detalles, incluyendo su número de teléfono, y enviarlo a:

**Servicio al cliente**  
**Avanti Products**  
**10880 NW 30 Street**  
**Miami, FL 33172 EE.UU.**

## PARTES Y CARACTERÍSTICAS



<b>1</b>	<b>Bisagra superior</b>
<b>2</b>	<b>Control de temperatura</b>
<b>3</b>	<b>Repisas (6)</b>
<b>4</b>	<b>Control de temperature</b>
<b>5</b>	<b>Bisagra</b>
<b>6</b>	<b>Puerta</b>
<b>7</b>	<b>Manija</b>
<b>8</b>	<b>Bisagra inferior</b>
<b>9</b>	<b>Pata niveladora</b>
<b>10</b>	<b>Parilla</b>
<b>11</b>	<b>Sello de la Puerta</b>
<b>12</b>	<b>Filtro de Carbón</b>
<b>13</b>	<b>Manija</b>
<b>14</b>	<b>Puerta</b>

## INSTRUCCIONES DE INSTALACIÓN

### ➤ **ANTES DE UTILIZACIÓN DEL APARATO**

- Retire la envoltura interna y externa.
- Compruebe para asegurarse de que tiene todas las siguientes partes:

1	Manual de instrucciones
6	Repisas de madera
1	Repisa de alambre
2	Repisas de vidrio
2	Manijas

- Ante de conectar el aparato a la fuente de alimentación, se deja reposar en posición vertical durante aproximadamente 2 horas. Esto reducirá la posibilidad de un mal funcionamiento en el sistema de refrigeración de la manipulación durante el transporte.
- Limpiar la superficie interior con agua tibia con un paño suave.

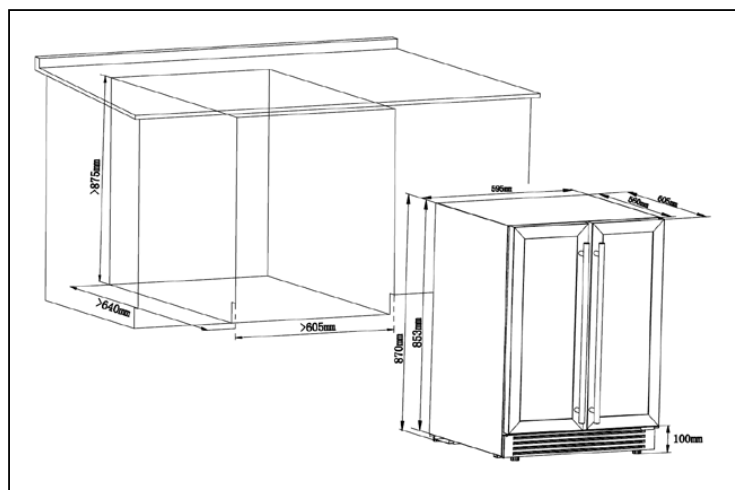
### ➤ **INSTALACIÓN DEL APARATO**

- El aparato está diseñado para ser para la instalación de pie o incorporado (totalmente empotrado).
- Coloque el aparato sobre un piso que sea lo suficientemente fuerte como para soportar su peso cuando está totalmente cargado. Para nivelar el aparato, ajuste las patas niveladoras delanteras en la parte inferior del aparato.
- Coloque el aparato lejos de luz solar directa y de fuentes de calor (cocina, calefacción, radiador, etc.). La luz solar directa puede afectar el recubrimiento acrílico y fuentes de calor puede aumentar el consumo eléctrico. Temperaturas ambiente extremas de frío también pueden hacer que la unidad no funcione correctamente.
- Evite colocar la unidad en áreas húmedas.
- Conecte el aparato a una toma de pared exclusivo, tierra adecuada-instalado. Bajo ninguna circunstancia corte o retire la tercera pata (tierra) del cable de alimentación. Cualquier pregunta relacionada con la energía y / o puesta a tierra deben ser dirigidas a un electricista certificado o un centro de servicio de Avanti Products.

### ➤ **INSTRUCCIONES PARA EMPOTRAR LA UNIDAD**

La unidad está diseñada tanto para ser empotrada o para instalación independiente. Si va a utilizar esta unidad en una aplicación empotrada por favor, siga los requisitos que se muestran a la derecha.

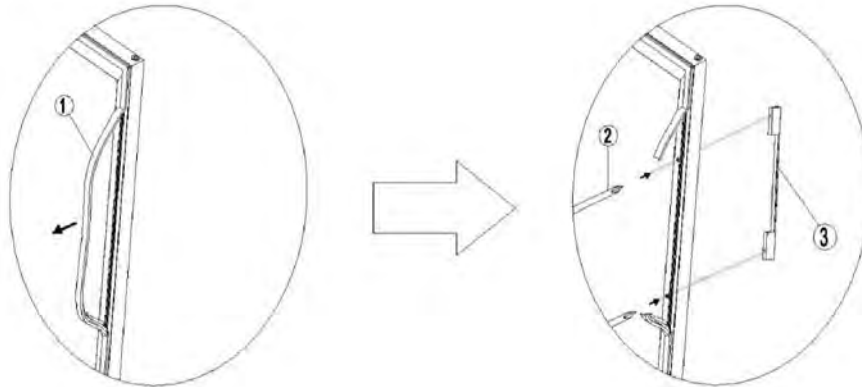
Dimensiones de la apertura		
	Pulgadas(min)	CM (min)
Ancho	24	61
Profundidad	24"	61
Altura	34 1/2	87.6



➤ **INSTALACIÓN DE LAS MANIJAS**

El aparato incluye dos manijas de acero inoxidable que no se requiere para operar esta unidad. Para instalar las manijas por favor, siga las siguientes instrucciones:

1. Jale la junta de la puerta en la zona donde el mango debe ser instalado como se muestra a continuación en la ilustración # 1. La junta está fácilmente desplazada a mano, no herramientas son necesarias.
2. Alinea la manija con los tornillos pre-instalados en la parte trasera de la puerta. Apretar los tornillos con un destornillador de cabeza Phillips hasta que el mango quede asegurado firmemente contra el marco de la puerta. (No apriete demasiado ya que esto puede causar daños en el conjunto del mango).
3. Vuelva a colocar la junta de la puerta a su posición original.



## Conexión eléctrica

### **⚡ Advertencia ⚡**

El uso inapropiado del enchufe a tierra puede resultar en el riesgo de descarga eléctrica. Si el cable de alimentación está dañado, haga que sea reemplazado por un centro de servicio autorizado de Avanti Products.

Este electrodoméstico debe estar conectado a tierra adecuadamente para su seguridad. El cable eléctrico de este electrodoméstico está equipado con un enchufe de tres puntas que encajan con tres enchufes de pared standard para reducir al mínimo la posibilidad de una descarga eléctrica.

Bajo ninguna circunstancia corte o remueva la punta de tierra del cable de alimentación suministrado.

Este electrodoméstico requiere una toma de corriente eléctrica 115Volts ~ / 60 Hz estándar con tierra de tres clavijas.

El cable debe ser asegurado detrás del electrodoméstico y no déjelo expuesto para evitar lesiones accidentales.

Nunca desenchufe el electrodoméstico tirando del cable de alimentación. Siempre sostenga firmemente el enchufe y tire en línea recta desde el receptáculo.

No utilice un cable de extensión con este electrodoméstico. Si el cable de alimentación es demasiado corto, haga que un electricista o técnico calificado instale un tomacorriente cerca del electrodoméstico.

#### ➤ CABLE EXTENSIÓN

Debido a los peligros potenciales de seguridad bajo ciertas condiciones, se recomienda encarecidamente que no se utilice un cable de extensión con esta unidad. Sin embargo, si debe utilizar un cable de extensión es absolutamente necesario que se trate de un UL / CUL, 3 hilos con toma de tierra del electrodoméstico cable de extensión que tiene un enchufe y la toma a tierra y que la clasificación eléctrica del cable sea de 115 voltios y al menos 10 amperios.

#### ➤ PROTECTOR CONTRA SOBRETENSIONES

La mayoría de los electrodomésticos utilizan una serie de paneles de control eléctricos para operar. Estas placas son muy susceptibles a las subidas de tensión y podrían ser dañados o destruidos.

Si el electrodoméstico va a ser usado en un área o si su ciudad / país es propenso a subidas de tensión / interrupciones; se sugiere que utilice un protector contra sobretensiones alimentación de todos los dispositivos / electrodomésticos que utiliza. El estabilizador de tensión que se selecciona debe tener un bloque oleada suficientemente alto como para proteger el electrodoméstico está conectado a. Si usted tiene alguna pregunta relacionada con el tipo y tamaño de contacto necesario protector contra sobretensiones a un electricista autorizado en su área.

Los daños debidos a sobrecargas de energía no se consideran un defecto cubierto por el fabricante y anulará la garantía del producto.

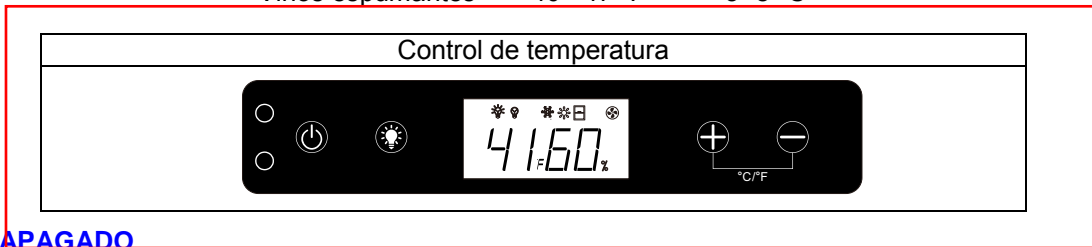
## FUNCIONAMIENTO DEL APARATO

Se recomienda instalar el aparato en un lugar donde la temperatura ambiente es de entre 72- 78 grados Fahrenheit. Si la temperatura ambiente es la temperatura recomendada por encima o por debajo, el rendimiento de la unidad puede verse afectado. Por ejemplo, la colocación de la unidad en condiciones frías o calientes extremas puede causar temperaturas interiores que fluctúan y no se pudiera alcanzar el rango de 40-65 grados Fahrenheit.

Rangos de Temperaturas		
Vinera (lado izquierdo)	37°- 65° F	4°- 18° C
Enfriador (lado derecho)	40°- 65° F	3°- 18° C

Las temperaturas recomendadas para el vino enfriándose.

Vinos tintos	58- 65 °F	15- 18 °C
Vinos blancos	48- 57 °F	10 - 14 °C
Vinos rosados	49- 51 °F	9-11 °C
Vinos espumantes	40 - 47 °F	5- 8 °C



### ON / APAGADO



- Mantenga pulsado durante 2 segundos en el panel de control para encender o apagar el aparato. Cuando el aparato está apagado, dejará de funcionar.

### LUZ INTERIOR




- Hay dos modos de luz, mantenga pulsado durante 3 segundos para seleccionar el modo de luz.





1. Luz encendida y el modo de apagado: La configuración por defecto de la luz será controlada por la pantalla del sensor, al abrir la puerta, la luz se encenderá automáticamente, cuando la puerta está cerrada, la luz será desactivada.





2. Luz en el modelo: Mantenga pulsado durante 3 segundos para entrar en el modo de luz, en este modo,

la pantalla LCD mostrará  y la luz siempre estará encendida.

### AJUSTE DE TEMPERATURA

- Pulse  o  para ajustar la temperatura del aparato, y cada pulsación del botón se altera la temperatura por 1°.

- Pulse  y  simultáneamente y mantenga pulsado durante 3 segundos para cambiar la visualización de la temperatura de Celsius a Fahrenheit

## SISTEMA DE ALARMA

1. Puerta abierta (alarma): Cuando la puerta ha sido abierta por más de 5 minutos, alarma de puerta abierta estará encendida y sonará 3 veces cada 5 segundos. Pulse cualquier tecla o cierre la puerta para detener la alarma.



2. Alarma de baja temperatura: Cuando la temperatura interior es inferior a 2°C / 35°F durante más de 3 horas, se emitirá un sonido de alarma. Pulse cualquier tecla para detener el sonido de alarma.



3. Alarma de alta temperatura: Cuando dentro de temperatura es superior a 25°C / 77°F durante más de 6 horas, se emitirá un sonido de alarma. Pulse cualquier tecla para detener el sonido de alarma.



## CUIDADO Y MANTENIMIENTO

### ➤ LIMPIEZA DEL APARATO

- desenchufe el aparato y retire todos los artículos incluyendo los estantes.
- Limpia las superficies interiores con una solución de agua y bicarbonato de sodio caliente. La solución debe ser de aproximadamente 2 cucharadas de bicarbonato de sodio a un litro de agua.
- Limpia los estantes con una solución de detergente suave.
- Esprima exceso de agua de la esponja o paño para limpiar el área de los controles, o cualquier partes eléctricas.
- Limpia el armario exterior con agua caliente y detergente líquido suave. Enjuague bien y seque con un paño suave y limpio.
- No utilice lana de acero o un cepillo de acero sobre el acero inoxidable. Estos contaminarán el acero inoxidable con partículas de acero y se puede producir la oxidación.

### ➤ FALLAS DE ELECTRICIDAD

- Las fallas de energía t se corrigen en unas pocas horas y no deben afectar a la temperatura de su electrodoméstico si se minimiza el número de veces que se abre la puerta. Si el poder va a estar fuera por un período de tiempo más largo, es necesario tomar las medidas adecuadas para proteger sus contenidos.

### ➤ SI UD SE MUDA

- Eliminar todos las botellas.
- Segure con cinta adhesiva todos los artículos sueltos (estantes) en el interior de su aparato.
- Cierre la puerta y segure con cinta adhesiva
- Mantiene de que el aparato este seguro en la posición vertical durante el transporte. También proteja el exterior del aparato con una manta, o un elemento similar.

### ➤ CONSEJOS PARA AHORRAR ENERGÍA

- El aparato debe estar situado en la zona más fría de la habitación, lejos de aparatos que producen calor, y fuera de la luz directa del sol.

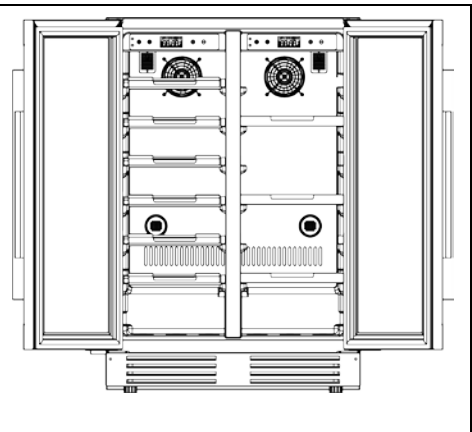
### ➤ SISTEMA DE FILTRACIÓN DE CARBÓN

El vino es un objeto vivo que respira a través del corcho de la botella. Con el fin de preservar la calidad y el sabor de sus vinos finos, deben ser almacenados a las condiciones ideales de temperatura y ambiente. Su aparato está equipado con un sistema de filtración de carbón activo para asegurar la pureza del aire, la eficiencia de enfriamiento, y para mantener un gabinete libre de olor para el almacenamiento de su buen vino. El filtro se encuentra en el panel trasero dentro de su aparato.

Toma en cuenta, que este filtro se debe cambiar cada 12 meses.

Para reemplazar el filtro:

1	Remueva las botellas de las (2) repisas que cubren el filtro.
2	Remueva las repisas y guárdelas hacia un lado para reponerlas después de reemplazar el filtro.
3	Sujete el filtro y gírelo aproximadamente 90 grados hacia la izquierda. Retire el filtro hacia fuera.
4	Remueva el filtro existente y reemplácelo con uno nuevo.
5	Coloque el filtro en posición y gírelo aproximadamente 90 grados hacia la derecha.





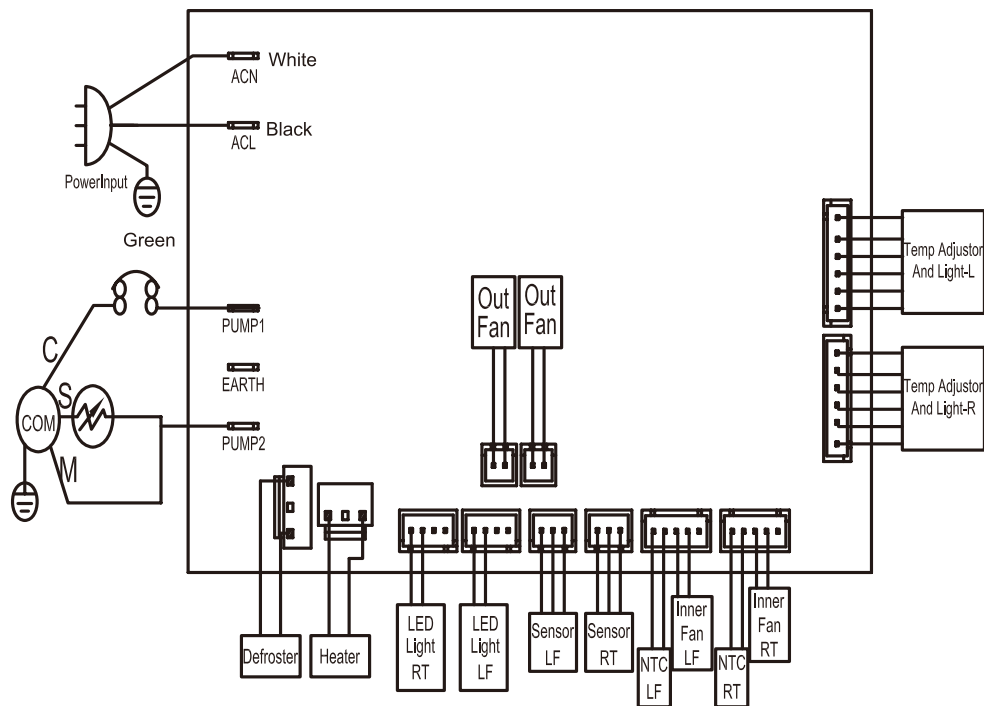
## SERVICIO DE APARATO

Estamos orgullosos de nuestra organización de servicio al cliente y la red de técnicos de servicios profesionales que prestan servicio en sus electrodomésticos Avanti. Con la compra del aparato, Avanti, usted puede tener la confianza de que si alguna vez necesita información o asistencia adicional con el Customer Service Avanti Products estará aquí para usted. Sólo tiene que llamar al número gratuito.

## PRODUCTOS DE CLIENTE AVANTI

Información del Producto 800-323 5029	Lo que sus preguntas son acerca de nuestros productos, hay ayuda disponible.
Pedidos de piezas 800-220 5570	Usted puede pedir piezas y accesorios que serán entregados directamente a su casa. Usted puede ordenar estos artículos por el cheque personal, giro postal, Master Card o Visa.
Servicio de reparación a domicilio 800-220 5570	Un centro de servicio Avanti Products proporcionará el servicio de reparación experto, programado a una hora que sea conveniente para usted. Nuestros técnicos conocen su aparato dentro y por fuera.

## WIRING DIAGRAM



Electrocircuit Line Diagram

## **SÉCURITÉ APPLIANCE**

**Votre sécurité et celle des autres sont très importantes.**

Nous avons fourni de nombreux messages de sécurité importants dans ce manuel et sur votre appareil. Toujours lire et respecter les consignes de sécurité.



C'est le symbole d'alerte de sécurité. Ce symbole vous signale les dangers potentiels peut tuer ou blesser vous et d'autres. Tout sécurité messages suivra la sécurité symbole d'alerte et soit les quartiers" DANGER", "ATTENTION" ou "PRUDENCE".



Danger signifie que le non-respect de cette déclaration de sécurité peut entraîner des blessures ou la mort.



Attention signifie que le non-respect de cette déclaration de sécurité peut entraîner des dommages importants du produit, des blessures graves ou la mort.



Attention signifie que le non-respect de cette déclaration de sécurité peut entraîner des mineures ou modérées blessures, ou des biens ou des dommages matériels.

Tous les messages de sécurité vous alerter sur ce danger potentiel et vous disent comment réduire le risque de blessure, et vous savez ce qui peut arriver si les instructions ne sont pas suivies.

### **GAZ REFRIGÉRANT INFLAMMABLE**

**DANGER** - Risque d'incendie ou d'explosion. Réfrigérant inflammable utilisé.

**NE PAS utiliser des dispositifs mécaniques pour dégivrer le réfrigérateur. NE PAS percer un tube réfrigérant.**

**DANGER** - Risque d'incendie ou d'explosion. Réfrigérant inflammable utilisé. Pour être réparé que par du personnel qualifié. NE PAS percer un tube réfrigérant.

**MISE EN GARDE** - Risque d'incendie ou d'explosion. Réfrigérant inflammable utilisé. Consultez le guide de réparation manuelle / propriétaire avant de tenter de réparer ce produit. Toutes les mesures de sécurité doivent être suivies.

**MISE EN GARDE** - Risque d'incendie ou d'explosion. Éliminer des biens conformément aux règlements fédéraux ou locaux. Réfrigérant inflammable utilisé.

**MISE EN GARDE** - Risque d'incendie ou d'explosion due à la perforation du tuyau de réfrigérant. Suivez les instructions de manipulation avec soin. Réfrigérant inflammable utilisé.

**MISE EN GARDE** - Pour éviter qu'un enfant ne soit piégé, garder hors de portée des enfants et non à proximité du refroidisseur.

## **APPAREIL SÉCURITÉ**



Avant le refroidisseur de breuvages est utilisé, il doit être correctement positionné et installé comme décrit dans ce manuel, afin de lire attentivement le manuel. Pour réduire le risque d'incendie, choc ou de blessure électrique lors de l'utilisation du refroidisseur de breuvages, Suivez les précautions de bases, comprenant les éléments suivants:

### **! DANGER !**

- Brancher sur une 3 broches mise à la terre sortie, faire pas enlever la terre broches, faire pas utiliser un adaptateur, et ne pas utiliser une rallonge
- Remplacer tous les panneaux avant exploitation
- Il est recommandé d'utiliser un circuit distinct, qui sert uniquement votre refroidisseur de breuvages, fournir. Utilisez des récipients cette ne peut pas être désactivé par une chaîne de traction interrupteur ou
- ne jamais nettoyer appareil pièces avec des liquides inflammables. Ces vapeurs peuvent créer un risque d'incendie or explosion. Et ne pas stocker ou utiliser de l'essence ou d'autres vapeurs et liquides inflammables à proximité de cet appareil ou de tout autre appareil. Les vapeurs peuvent créer un risque d'incendie ou d'explosion.
- Avant de procéder à des opérations de nettoyage et d'entretien, assurez-vous que la ligne d'alimentation de l'appareil est débranchée.
- Faire pas brancher ou débrancher la prise électrique lorsque vos mains sont humides
- Débranchez le appareil ou déconnecter la alimentation avant le nettoyage ou l'entretien. Ne pas le faire peut entraîner un choc électrique ou la mort.
- Faire pas tenter de réparer ou de remplacer une partie de votre appareil à moins qu'il ne soit spécifiquement recommandé dans ce matériau. Toutes les autres réparations doivent être confiées à un technicien qualifié.

### **! WARNING !**

- Utilisation deux personnes ou plus pour déplacer et installer l'appareil. Ne pas le faire peut entraîner dans le dos ou d'autres blessures.
- Pour assurer une bonne ventilation de votre appareil, l'appareil doit être complètement dégagé. Choisissez un endroit bien aéré avec des températures supérieures à 55°F (13°C) et au-dessous 90°F (32°C). Cet appareil doit être installé dans une zone protégée de l'élément, Comme le vent, la pluie, de l'eau pulvérisée ou lumière du soleil.
- l'appareil ne doit pas être situé à côté de fours, grilles ou autres sources de chaleur élevée.
- L'appareil doit être installé avec toutes les connexions électriques, d'eau et d'évacuation, conformément à codes étatiques et locaux. Une alimentation électrique standard (115 V CA seulement, 60 Hz), mise à la terre conformément au Code national de l'électricité et les codes et règlements locaux est nécessaire.
- Faire pas plier ou pincer le cordon d'alimentation du appareil.
- Le fusible (ou disjoncteur) doit être de 15 ampères.
- Il est important pour l'appareil soit à niveau afin de fonctionner correctement. Vous devrez peut-être faire plusieurs ajustements à niveler.
- Toute installation doit être conforme aux exigences du code de plomberie locale.
- Assurez-vous que les tuyaux ne sont pas pincés ou pliés ou endommagés au cours installation.
- Vérifier les fuites après connexion.
- Ne jamais laisser les enfants utiliser, jouer avec ou crawl à l'intérieur de l'appareil
- Faire pas utiliser de produits de nettoyage à base de solvants or abrasifs sur l'intérieur. Ces nettoyants peuvent endommager ou décolorer l'intérieur.
- Ne pas utiliser cet appareil pour d'autres fins que celles prévues.

## AIDEZ-NOUS À VOUS AIDER ...

---

### Lisez attentivement ce guide.

Il est destiné à vous aider à utiliser et à maintenir votre nouvel appareil correctement.

Gardez  
Si vous ne comprenez pas quelque chose où vous avez besoin de plus d'aide, s'il vous plaît appelez:

**Avanti Service à la clientèle  
800-220-5570**

Gardez preuve de la date d'achat d'origine (tel que votre bordereau de vente) avec ce guide pour établir la période de garantie.

### **MISE EN GARDE:**

**CET APPAREIL EST PAS  
CONÇU POUR LE STOCKAGE  
DE MÉDECINE OU D'AUTRES  
PRODUITS MÉDICAUX.**

### Notez le modèle et le numéro de série.

Vous les trouverez sur une plaque située sur la paroi extérieure arrière de l'appareil.

S'il vous plaît écrire ces chiffres ici:

---

Date d'achat

---

Numéro de modèle

---

Numéro de série

Utilisez ces numéros dans toute correspondance ou appels de service concernant votre appareil.

Si vous avez reçu un appareil endommagé, contactez immédiatement le revendeur (ou le constructeur) qui vous a vendu l'appareil.

Gagnez du temps et de l'argent. Avant d'appeler le service, consultez le Guide de dépannage. Il énumère les causes des problèmes de fonctionnement mineurs que vous pouvez vous corriger.

## SI VOUS AVEZ BESOIN DE SERVICE

---

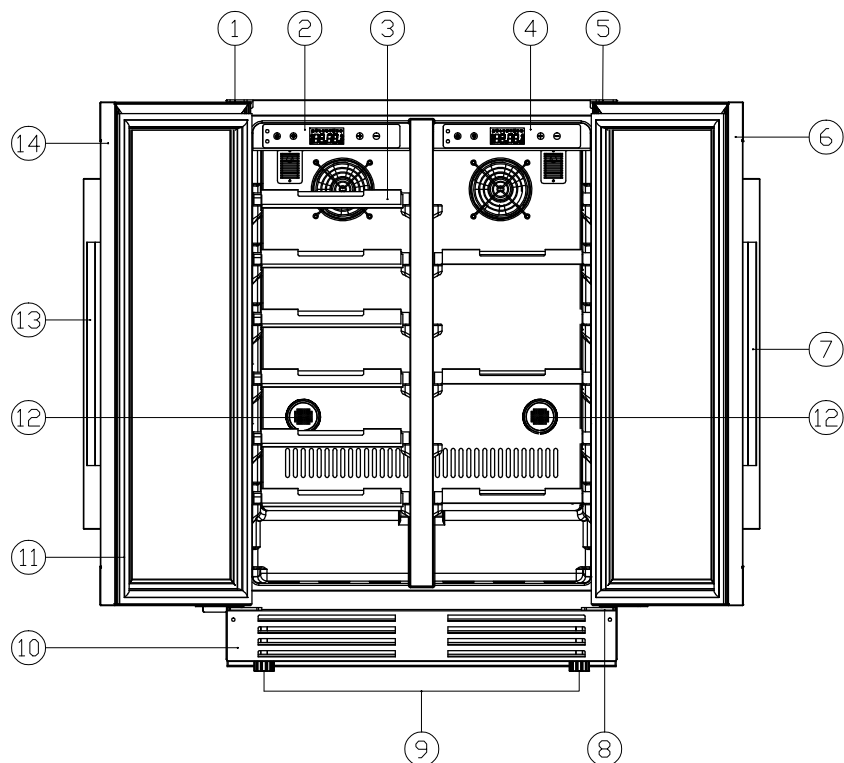
Nous sommes fiers de notre service et nous voulons que vous soyez heureux. Si pour une raison quelconque vous n'êtes pas satisfait du service que vous recevez, voici quelques étapes à suivre pour obtenir de l'aide.

FIRST, contacter les gens qui ont réparé votre appareil. Expliquez pourquoi vous n'êtes pas satisfait. Dans la plupart des cas, cela va résoudre le problème.

Ensuite, si vous n'êtes toujours pas satisfait, écrivez tous les détails, y compris votre numéro de téléphone, et l'envoyer à:

**Service Clients  
Avanti Produits  
10880 NW 30 Street  
Miami, FL 33172 USA**

## PIÈCES ET CARACTÉRISTIQUES



1	<b>Charnière supérieur gauche</b>
2	<b>Panneau de configuration Zone gauche</b>
3	<b>Étagères (6)</b>
4	<b>Panneau de droite zone de contrôle</b>
5	<b>Charnière supérieure droite</b>
6	<b>Porte droite</b>
7	<b>Poignée de porte droite</b>
8	<b>Charnière inférieur droit</b>
9	<b>Pieds réglables</b>
di	<b>Plaque de protection</b>
11	<b>Joint de porte</b>
12	<b>Filtre au charbon</b>
13	<b>Poignée de porte gauche</b>
14	<b>Porte gauche</b>

## Connexion électrique

### ⚡ Attention ⚡

Une mauvaise utilisation de la prise de terre peut entraîner un risque de choc électrique. Si le cordon d'alimentation est endommagé, faites

Cet appareil doit être correctement mis à la terre pour votre sécurité. Le cordon d'alimentation de cet appareil est équipé d'une fiche à trois broches qui accouple avec trois standards prises murales broches afin de minimiser le risque de choc électrique.

Ne pas en aucun cas couper ou enlever la troisième broche de terre du cordon d'alimentation fourni.

Cet appareil nécessite une prise électrique standard 115Volts ~ / 60Hz avec le sol à trois broches.

Le cordon doit être fixé derrière l'appareil et non laissés exposés ou qui pendent pour prévenir les blessures accidentelles.

Ne jamais débrancher l'appareil en tirant sur le cordon d'alimentation. Toujours saisir fermement la fiche et tirez tout droit sorti de la prise.

Ne pas utiliser une rallonge avec cet appareil. Si le cordon d'alimentation est trop court, un technicien électricien ou technicien qualifié d'installer une prise près de l'appareil.

#### ➤ RALLONGE ÉLECTRIQUE

En raison des risques potentiels pour la sécurité dans certaines conditions, il est fortement recommandé de ne pas utiliser une rallonge avec cet appareil. Toutefois, si vous devez utiliser une rallonge, il est absolument nécessaire que ce soit un UL / CUL, 3 fils de terre appareil rallonge ayant une fiche de mise à la terre et à la sortie et que la puissance électrique du câble est de 115 volts et au moins 10 ampères.

#### ➤ PARASURTENSEUR

La plupart des appareils électriques utilisent une série de tableaux de commande électriques pour fonctionner. Ces cartes sont très sensibles aux surtensions et pourraient être endommagés ou détruits.

Si l'appareil va être utilisé dans une zone ou si votre ville / pays est sujette à des surtensions / coupures; il est suggéré que vous utilisez un dispositif de protection contre les surtensions pour tous les dispositifs / appareils électriques que vous utilisez. Le protecteur de surtension que vous sélectionnez doit avoir un bloc de poussée suffisamment élevé pour protéger l'appareil, il est connecté. Si vous avez des questions concernant le type et la taille d'un protecteur de surtension contact nécessaire à un électricien agréé dans votre région.

Les dommages dus à des surtensions ne sont pas considérés comme un fabricant couvert défaut et annulera la garantie du produit.

## INSTRUCTIONS D'INSTALLATION

### ➤ AVANT D'UTILISER VOTRE APPAREIL

- Retirez l'emballage extérieur et intérieur.
- Vérifiez que vous avez toutes les pièces suivantes:

1	Manuel
6	Etagères en bois
1	Etagère en fil
2	Etagères en verre
2	Poignées

- Avant de connecter cet appareil à la source d'alimentation, laissez-le tenir debout pendant environ 2 heures. Cela permettra de réduire la possibilité d'un mauvais fonctionnement du système de refroidissement lors de la manipulation durant le transport.
- Nettoyer la surface intérieure à l'eau tiède avec un chiffon doux.

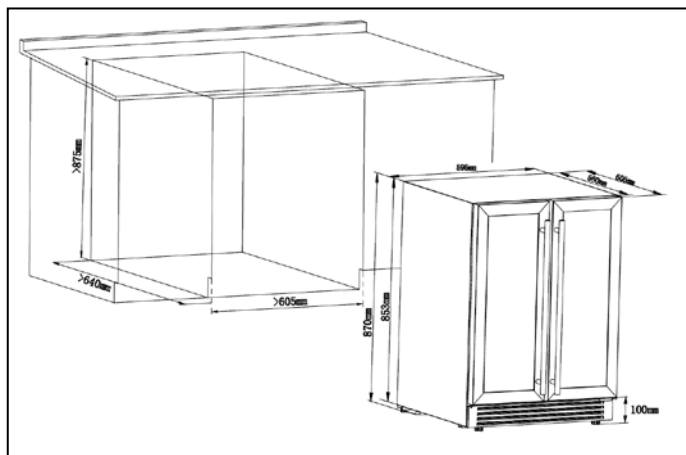
### ➤ INSTALLATION DE VOTRE CELLIER

- Ce Cet appareil est conçu pour Be pour la pose libre ou built-in (entièrement encastré).
- Placez votre cellier sur un plancher qui est assez solide pour supporter quand elle est complètement chargée. Pour mettre à niveau votre cellier, régler le nivellement avant jambes au niveau du fond du cellier.
- Localisez le cellier abri du soleil et des sources de chaleur (cuisinière, chauffage, radiateur, etc.). La lumière solaire directe peut affecter le revêtement acrylique et sources de chaleur peuvent augmenter la consommation électrique. Les températures ambiantes froides extrêmes peuvent aussi causer l'unité de ne pas fonctionner correctement.
- Éviter de placer l'appareil dans les zones humides.
- Branchez le cellier dans une prise murale exclusive, bien installé à la terre. Ne pas en aucun cas réduire ou supprimer la troisième (terre) du cordon d'alimentation. Toute question concernant le pouvoir et / ou mise à la terre doivent être adressées à un électricien certifié ou un centre de service Avanti Produits autorisé.

### ➤ BUILT - IN INSTRUCTIONS - DE CABINET (Encastrable)

Cet appareil est conçu pour les deux dans la construction ou la pose libre. Si vous prévoyez d'utiliser cet appareil dans une application intégrée s'il vous plaît suivre les exigences indiquées ci-dessous.

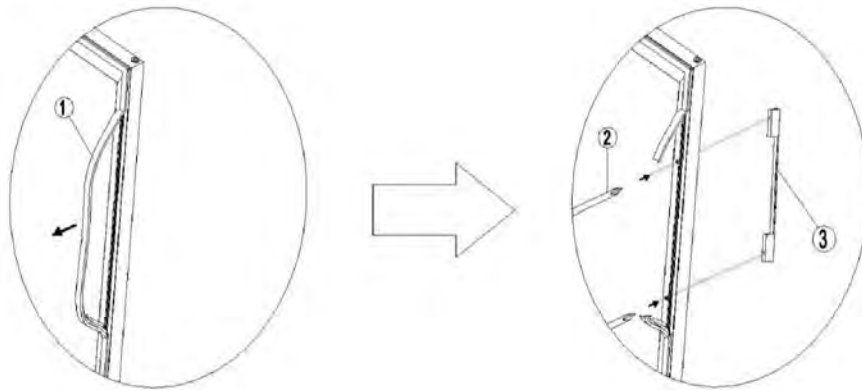
Dimensions d'ouverture		
	IN (min)	CM (min)
Largeur	24½	61
Profondeur	24	61
Hauteur	34 ½	87.6



➤ **INSTALLATION D' POIGNÉE EN ACIER**

This refroidisseur de boisson comprend une poignée en acier inoxydable qui ne soit pas nécessaire pour faire fonctionner cet appareil. Pour installer la poignée s'il vous plaît suivez les instructions ci-dessous:

1. Pull écart du joint de la porte dans la zone où la poignée doit être installé comme indiqué ci-dessous Illustration # 1. Le joint est facilement déplacé à la main, sans outils sont nécessaires.
2. Align la poignée avec les vis pré-installé sur la face arrière de la porte. Serrer les vis à l'aide d'un tournevis à tête Phillips jusqu'à ce que la poignée définit à la fois de rinçage et fermement fixé contre le cadre de porte. (NE PAS trop serrer car cela causera des dommages à l'ensemble de la poignée).
3. Remplacer le joint de la porte à sa position initiale.



② Gasket

② Entraînement par vis

③ Poignée



## MODÈLE WBC27W3S

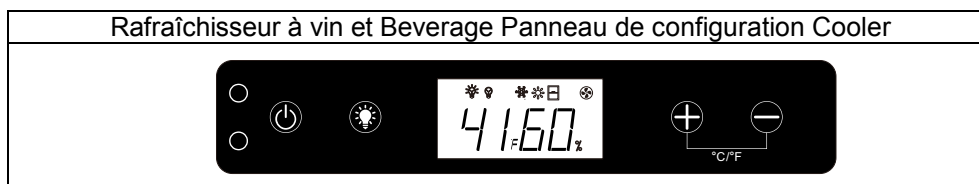
### UTILISATION DE VOTRE APPAREIL

Il est recommandé que vous installiez l'appareil dans un endroit où la température ambiante se situe entre 72- 78 degrés Fahrenheit. Si la température ambiante est supérieure ou inférieure à des températures recommandées, la performance de l'unité peut être affectée. Par exemple, en plaçant l'appareil dans des conditions extrêmes froides ou chaudes peut entraîner des températures intérieures fluctuer. La gamme de Fahrenheit 40-65 degrés Les ne peut pas être atteint.

Températures de côté zone		
WINE Chiller (GAUCHE)	37°- 65° F	4°- 18° C
BEVERAGE COOLER (côté droit)	40°- 65° F	3°- 18° C

Températures recommandées pour le vin Chilling.

Vins rouges	58- 65 ° F	15- 18 ° C
Vins secs / Blanc	48- 57 °F	10 - 14 ° C
Vins Rose	49- 51 °F	9 - 11 ° C
Sparkling Vins	40 - 47 °F	5- 8 ° C



#### ON / HORS TENSION



- Appuyez et maintenez pendant 2 secondes sur le panneau de commande pour activer ou désactiver le refroidisseur, lorsque refroidisseur est désactivé,


l'appareil cessera de fonctionner et le total arrêté.


#### Réglage de la lumière





- Il existe deux modes d'éclairage, maintenez la touche enfoncée pendant 3 secondes pour sélectionner le mode lumière.





1. La lumière sur et le mode: Le réglage par défaut de la lumière sera contrôlée par le capteur  et l'écran LCD sera spectacle, lorsque la porte est ouverte, la lumière se met en marche automatiquement, lorsque la porte est fermée, la lumière sera désactivé.

2. La lumière sur le modèle: Maintenez la touche enfoncée pendant 3 secondes pour entrer dans la lumière en mode, dans ce mode,  l'écran LCD affiche et la lumière sera toujours.

## RÉGLAGE DE LA TEMPÉRATURE

- Appuyez sur  u  pour régler la température de l'appareil, et chaque pression sur la touche permet modifier la température de 1°C.

- Appuyez   simultanément sur et pendant 3 secondes pour changer l'affichage de la température de Celsius à Fahrenheit

## SYSTÈME D'ALARME

1. Alarme de porte ouverte: Lorsque la porte est ouverte pour plus de 5 minutes, alarme de porte ouverte sera allumé et LCD affichage de l'écran et bip 3 fois toutes les 5 secondes, appuyez sur une touche ou fermer la porte pour arrêter l'alarme.



2. Alarme de basse température: Lorsque la température intérieure est inférieure à 2°C pendant plus de 3 heures, il émet un signal sonore alarme et l'écran LCD affiche; Appuyez sur une touche pour arrêter l'alarme de bip sonore.



3. Alarme de haute température: lorsque la température interne est supérieure à 25°C pendant plus de 6 heures, il émet un signal sonore d'alarme et l'écran LCD affiche. Appuyez sur une touche pour arrêter l'alarme de bip sonore.



## SOINS ET ENTRETIEN

### ➤ NETTOYAGE DE VOTRE CELLIER

- Coupez l'alimentation, débranchez l'appareil, et supprimer tous les éléments, y compris les tablettes.
- Laver les surfaces intérieures avec une solution d'eau et de bicarbonate de soude chaude. La solution devrait être d'environ 2 cuillères à soupe de bicarbonate de soude à un litre d'eau.
- Laver les étagères avec une solution de détergent doux.
- Essorez l'excès d'eau de l'éponge ou d'un chiffon lorsque la zone des commandes ou des pièces électriques de nettoyage.
- Lavez l'extérieur avec de l'eau chaude et un détergent liquide doux. Rincez bien et séchez avec un chiffon doux et propre.
- Ne pas utiliser de laine d'acier ou d'une brosse en acier sur l'acier inoxydable. Ceux-ci contaminé l'acier inoxydable avec des particules d'acier et la rouille peuvent se produire.

### ➤ PANNEAU ÉLECTRONIQUE

- La plupart des pannes de courant sont corrigées en quelques heures et ne devraient pas affecter la température de votre appareil si vous réduisez le nombre de fois que la porte est ouverte. Si la puissance va être hors service pendant une longue période de temps, vous devez prendre les mesures appropriées pour protéger vos contenus.

### ➤ Déplacer votre Cellier

- Retirez tous les éléments.
- Solidement ruban adhésif vers le bas tous les articles en vrac (tablettes) à l'intérieur de votre appareil.
- Collez la porte fermée.
- Assurez-vous que l'appareil reste bloqué en position verticale pendant le transport. Protégez également l'extérieur de l'appareil avec une couverture, ou un objet similaire.

### ➤ ÉCONOMISER DE L'ÉNERGIE

- Le Chiller vin doit être situé dans la zone la plus froide de la salle, loin des appareils produisant de la chaleur et de la lumière directe du soleil.

### SYSTÈME DE FILTRATION À CHARBON

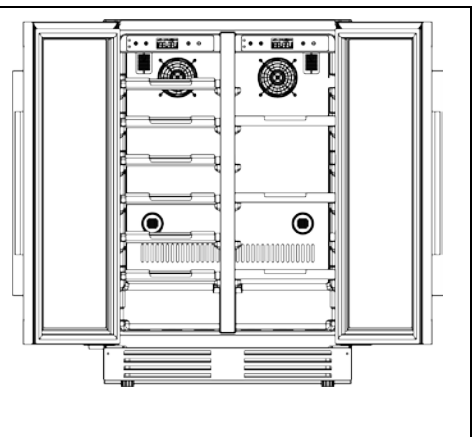
Votre vin est un objet vivant qui respire à travers le bouchon de sa bouteille. Afin de préserver la qualité et le goût de vos vins fins, ils doivent être entreposés dans les conditions de température et ambiances idéales. Votre cave est équipée d'un système de filtration de charbon actif pour assurer la pureté de l'air, l'efficacité de refroidissement, et de maintenir une armoire sans odeur pour le stockage de vos vins fins. L'ensemble de filtre est situé sur le panneau arrière à l'intérieur de votre cave.

Gardez à l'esprit, que ce filtre doit être changé tous les 12 mois.

Pour acheter des filtres de remplacement, appelez nos pièces / Service au 1 - 800 - 220-5570.

Pour remplacer votre filtre:

1	Retirer les bouteilles de vin stockées sur les deux (2) étagères devant le filtre.
2	Retirez les étagères et mis de côté pour être remplacé une fois que vous avez changé le filtre
3	Tenez le filtre et le tourner à 45 degrés dans le sens inverse des aiguilles d'une montre, puis retirez-le.
4	Retirer le filtre existant et le remplacer par un nouveau.
5	Mettez le nouveau filtre dans le trou, puis tourner le filtre à 45 degrés dans le sens horaire.



## PROBLÈMES AVEC VOTRE CELLIER?

Vous pouvez résoudre de nombreux problèmes de cellier commun facilement, vous permet d'économiser le coût d'un appel de service possible. Essayez les suggestions ci-dessous pour voir si vous pouvez résoudre le problème avant d'appeler le réparateur.

### GUIDE DE DÉPANNAGE

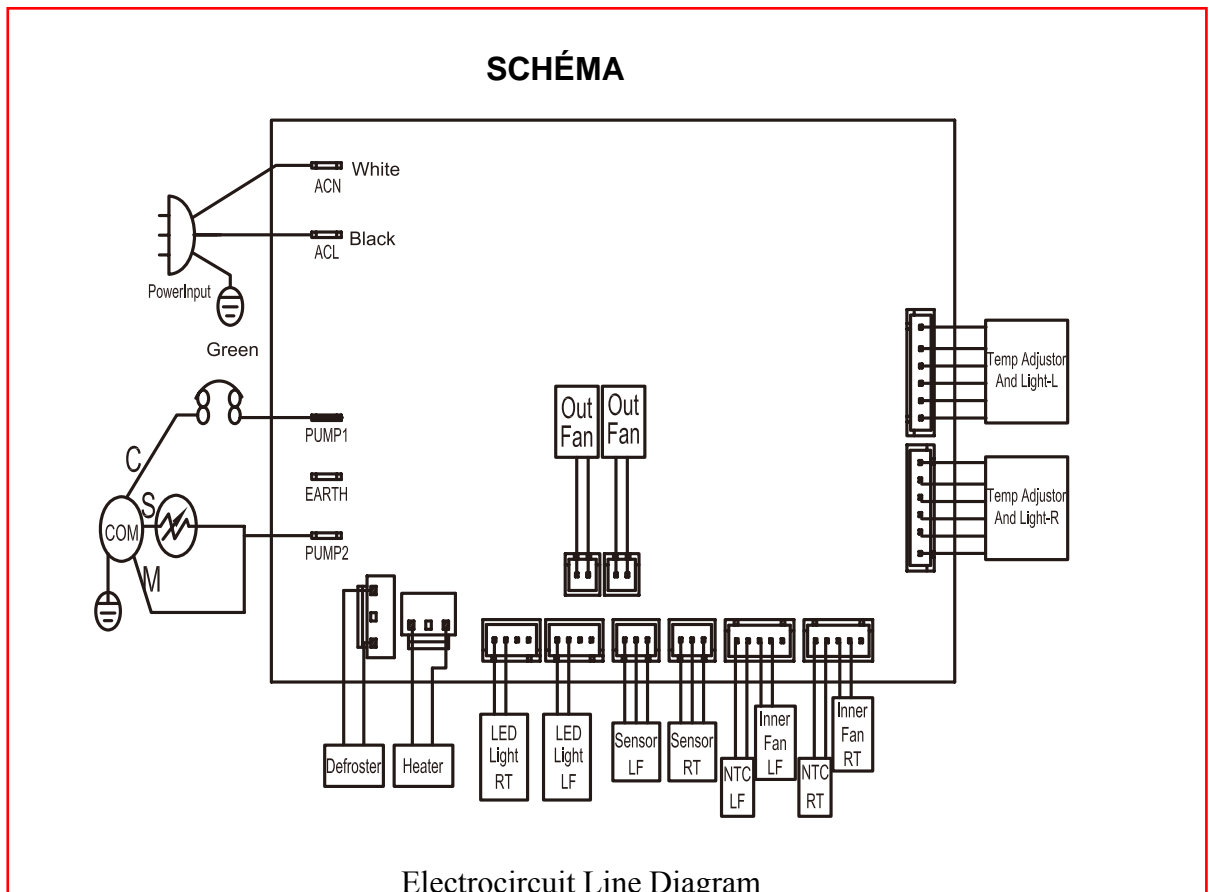
PROBLÈME	CAUSE POSSIBLE
Cellier ne fonctionne pas.	Non branché. L'appareil est éteint. Le disjoncteur est déclenché ou un fusible grillé.
Cellier n'est pas assez froid.	Vérifiez le réglage du contrôle de la température. La porte est ouverte trop souvent. La porte ne se ferme pas complètement. Le joint de la porte ne se referme pas correctement.
Active et désactive fréquemment.	La température ambiante est plus chaude que la normale. Une grande quantité de son contenu a été ajouté au refroidisseur à vin. La porte est ouverte trop souvent. La porte ne se ferme pas complètement. Le contrôle de la température ne soit pas correct. Le joint de la porte ne se referme pas correctement.
La lumière ne fonctionne pas.	Non branché. Le disjoncteur est déclenché ou un fusible grillé. Le bouton d'éclairage est éteint.
Vibrations.	Vérifiez pour assurer que le vin Chiller est de niveau.
Le Cellier semble faire trop de bruit.	Le bruit de cliquetis peut provenir de l'écoulement du fluide frigorigène, ce qui est normal. Comme chaque cycle se termine, vous pouvez entendre des gargouillis causés par l'écoulement du fluide frigorigène dans votre Cellier. Contraction et expansion des parois internes peuvent provoquer des craquements et des. Le Cellier n'est pas à niveau.
La porte ne se ferme pas correctement.	La porte est désalignée. Le Cellier n'est pas à niveau. Le joint est sale. Les étagères sont hors de position.

## SERVICE POUR VOTRE CELLIER

Nous sommes fiers de notre organisation de service à la clientèle et le réseau de techniciens de services professionnels qui offrent des services sur vos appareils Avanti. Avec l'achat de votre appareil Avanti, vous pouvez avoir la certitude que si vous avez besoin d'informations ou de l'aide, l'équipe du service à la clientèle Avanti Products sera là pour vous. Appelez-nous sans frais.

### AVANTI PRODUITS SERVICES CLIENTS

Information produit 800-323-5029	Quelles que soient vos questions sur nos produits, l'aide est disponible.
Les commandes de la pièce 800-220-5570	Vous pouvez commander des pièces et accessoires qui seront livrés directement à votre domicile par chèque personnel, mandat, Master Card ou Visa.
In-Home Repair Service 800-220-5570	Un centre de service Avanti Produits autorisé fournira un service de réparation expert, prévue à un moment qui vous convient. Nos réparateurs formés connaissent votre appareil à l'intérieur et à l'extérieur.



<p align="center"><b>VOS PRODUITS AVANTI GARANTIE</b></p>	<p>Staple votre reçu de vente ici. Preuve de la date d'achat originale est nécessaire pour obtenir un service sous garantie.</p>
<p><b><u>CE QUI EST COUVERT - GARANTIE LIMITÉE D'UN AN</u></b></p>	
<p>Avanti Products garantit que le produit est exempt de défauts de matériaux et / ou de fabrication pour une période de douze (12) mois à compter de la date d'achat par le propriétaire initial. La durée commence à courir à la date d'achat, et ne sera pas retardée, restreinte, prolongée ou suspendu pour quelque raison que ce soit, sauf si décrit en détail dans le document de garantie. Pendant un an à compter de la date d'achat par le propriétaire d'origine, les produits Avanti seront, à sa discrétion, réparer ou remplacer toute partie du produit qui se révèle être un défaut de matériau ou de fabrication dans une utilisation normale. Avanti Products vous fournira un produit raisonnablement semblable nouveau ou remis à neuf. Au cours de cette période Avanti Products fournira toutes les pièces et la main-d'œuvre nécessaires pour corriger ces défauts gratuitement, aussi longtemps que le produit a été installé et utilisé conformément aux instructions écrites dans ce manuel. En usage locatif ou commercial, la période de garantie est de 90 jours. Tous les appareils Avanti de 3,5 pieds cubes la capacité ou moins doivent être traduits / envoyé au centre de service de l'appareil pour la réparation.</p>	
<p><b><u>DEUXIÈME LIMITÉE À LA CINQUIÈME ANNÉE GARANTIE</u></b></p>	
<p>Pour la deuxième à la cinquième année à partir de la date d'achat originale, Avanti Products fournira un compresseur de remplacement gratuit en raison d'un échec. Vous êtes responsable de la main-d'œuvre et de fret de service. En usage locatif ou commercial, la garantie du compresseur est limitée à un an et neuf mois. Les coûts impliqués pour déplacer le produit au centre de service et de retour à la maison de l'utilisateur, comme peut-être nécessaire, sont à la charge de l'utilisateur.</p>	
<p><b><u>EXCLUSIONS DE LA GARANTIE / NON COUVERTS:</u></b></p>	
<p>La couverture de la garantie décrite ici exclut tous les défauts ou les dommages qui ne sont pas la faute directe de Avanti Products, y compris, sans limitation, un ou plusieurs des éléments suivants:</p>	
<ul style="list-style-type: none"> <li>• Un non-respect de tout État applicable, local, ville, ou du comté électricité, plomberie et / ou des codes du bâtiment, des règlements ou des lois, y compris le défaut d'installer le produit en stricte conformité avec le feu et les codes du bâtiment et les règlements locaux.</li> <li>• Les forces externes, élémentaires et / ou l'environnement et les facteurs, y compris, sans s'y limiter, la pluie, le vent, le sable, les inondations, les incendies, les coulées de boue, des températures de congélation, l'humidité excessive ou à une exposition prolongée à l'humidité, la foudre, les surtensions, les défaillances structurelles entourant l'appareil, et les actes de Dieu.</li> </ul>	<ul style="list-style-type: none"> <li>• Les appels de service qui sont liés à des problèmes externes, tels que l'abus, l'alimentation électrique inadéquate, les accidents, les incendies, les inondations, ou tout autre acte de Dieu.</li> <li>• Une panne du produit si elle est utilisée pour autre chose que son intention but.</li> <li>• La garantie ne couvre pas en dehors de la Continental USA.</li> <li>• Surtaxes, y compris mais sans s'y limiter, toute après heure, les appels week-end, ou de services de vacances, les péages, les frais de voyage de convoyage ou les frais de kilométrage pour les appels de service dans les régions éloignées.</li> </ul>
<ul style="list-style-type: none"> <li>• les pertes de contenu de la nourriture ou d'autres contenus en raison de la détérioration.</li> <li>• Les dommages accessoires ou consécutifs</li> <li>• Pièces et coûts de main-d'œuvre pour les éléments suivants ne seront pas considérés comme garantie: <ul style="list-style-type: none"> <li>• Les ampoules et / ou boîtier en plastique.</li> <li>• doublures d'armoires en plastique.</li> <li>• Poncture évaporateur annule la garantie sur le système scellé complet.</li> <li>• Les frais de transport et de manutention associés au remplacement de l'unité.</li> </ul> </li> <li>• Les réparations effectuées par réparateurs non autorisés</li> </ul>	
<p>En aucun cas, Avanti Products toute responsabilité ou responsabilité pour les dommages aux biens environnants, y compris les armoires, les planchers, les plafonds, et d'autres structures et / ou des objets autour du produit. Sont également exclus de cette garantie sont les égratignures, les entailles, les bosses mineures, et d'autres dommages esthétiques sur les surfaces externes et les parties exposées; Produits dont les numéros de série ont été modifiés, effacés ou supprimés; visites de service pour l'éducation à la clientèle, ou des visites où il n'y a rien de mal avec le produit; correction des problèmes d'installation (vous êtes seul responsable de toute structure et réglage pour le produit, y compris tous les systèmes électriques, de plomberie et / ou d'autres installations de raccordement, pour le bon plancher / fondation, et pour toute modification, y compris sans s'y limiter les armoires, les murs, les planchers, les étagères etc., ainsi que la remise à zéro des disjoncteurs ou fusibles.</p>	
<p><b><u>HORS DE LA GARANTIE DU PRODUIT</u></b></p>	
<p>Avanti Products est soumis à aucune obligation, en droit ou autrement, de vous fournir toutes les concessions, y compris les réparations, les pro-taux, ou le remplacement du produit, une fois la garantie expirée.</p>	
<p align="right">GARANTIE - REFRIGERATION - COMPRESSEUR</p>	

## Registration Information

Thank you for purchasing this fine Avanti product. Please fill out this form and return it to the following address within 100 days from the date of purchase and receive these important benefits:

**Avanti Products LLC**  
**P.O.Box 520604 – Miami, Florida 33152**

➤ **Protect your product:**

We will keep the model number and date of purchase of your new Avanti product on file to help you refer to this information in the event of an insurance claim such as fire or theft.

➤ **Promote better products:**

We value your input. Your responses will help us develop products designed to best meet your future needs.

------(detach here)-----

### Avanti Registration Card

Name	Model #	Serial #
Address	Date Purchased	Store / Dealer Name
City            State            Zip	E-mail Address	
Area Code    Phone Number	Occupation	
<u>Did You Purchase An Additional Warranty</u> <input type="checkbox"/> Extended <input type="checkbox"/> None	<u>As your Primary Residence, Do You:</u> <input type="checkbox"/> Own <input type="checkbox"/> Rent	
Reason for Choosing This Avanti Product: Please indicate the most important factors That influenced your decision to purchase this product:	<u>Your Age:</u> <input type="checkbox"/> under 18 <input type="checkbox"/> 18-25 <input type="checkbox"/> 26-30 <input type="checkbox"/> 31-35 <input type="checkbox"/> 36-50 <input type="checkbox"/> over 50	
<input type="checkbox"/> Price <input type="checkbox"/> Product Features <input type="checkbox"/> Avanti Reputation <input type="checkbox"/> Product Quality <input type="checkbox"/> Salesperson Recommendation <input type="checkbox"/> Other: _____ <input type="checkbox"/> Friend / Relative Recommendation <input type="checkbox"/> Warranty <input type="checkbox"/> Other: _____	<u>Marital Status:</u> <input type="checkbox"/> Married <input type="checkbox"/> Single	
Comments:	<u>Is This Product Used In The:</u> <input type="checkbox"/> Home <input type="checkbox"/> Business	
	<u>How Did You Learn About This Product:</u> <input type="checkbox"/> Advertising <input type="checkbox"/> In-Store Demo <input type="checkbox"/> Personal Demo	

**WBC27W3S – 12222017**

**PRINTED IN CHINA**