

## FQ50UFXE New product

### classic

90 CM (Approx 36"), French Door Refrigerator/Freezer,  
2 doors and 2 drawers, Stainless steel

EAN13: 8017709255275

Free Standing

Standard hinge

Counter Depth

Fingerprint-proof stainless steel finish

Display: LCD touch

Display functions: Holiday, Fast Freezing,  
Fast Cooling, Multizone, Energy Efficiency Mode,

Child Safety Lock, Door Open Alarm

Adaptable compartment

(freezer or refrigerator space)

#### REFRIGERATOR COMPARTMENT FEATURES:

Life Plus Zone 32° F

2 glass adjustable shelves

2 fruit and vegetables drawers

Glass crisper cover

LED refrigerator internal light

#### REFRIGERATOR INNER DOOR:

2 door balconies with transparent cover

4 adjustable balconies

2 bottle balconies

1 egg tray

#### FREEZER COMPARTMENT FEATURES:

2 drawers

No frost

#### OTHER FREEZER FEATURES:

Automatic ice maker

Ice tray shelf

#### PERFORMANCE/ENERGY LABEL:

Annual energy consumption: 623 kWh

Fresh food compartment net volume: 14.70 cu ft

Freezer compartment net volume: 5.97 cu ft

Frozen food compartment star rating: 4

Frost-free system

Freezing capacity: 13 kg/h

Noise level: 45 dB(A)

#### ELECTRICAL CONNECTION:

Electrical connection rating: 160 W

Current: 2.7 Amp

Voltage rating: 120V 60Hz



## Functions

---



**SMEG U.S.A. INC.  
A&D BUILDING  
150 EAST 58th STREET, 7th FLOOR  
NEW YORK, NY, 10155  
Tel. +1 212 265 5378  
Fax +1 212 265 5945**



**FQ50UFXE**

classic

fridge  
free standing  
2 doors and 2 drawers  
stainless steel  
36"



---

**Energy Star and ISO14001 Certified:**

The Smeg production process is carefully managed in order to keep the impact upon the environment as low as possible. The process is checked and certified by Independent International bodies IQNET and CISQ (Smeg complies with the standard ISO14001). All Smeg dishwashers are ENERGY STAR qualified. Energy efficiency is important to Smeg and our technicians are constantly working to keep the energy, and water, consumption of each dishwasher as low as possible. ENERGY STAR certified products use less water than conventional dishwashers, and approximately 40% less energy than the federal minimum standard for energy consumption. By choosing an ENERGY STAR certified product you are helping to preserve the environment without compromising on product quality or performance.



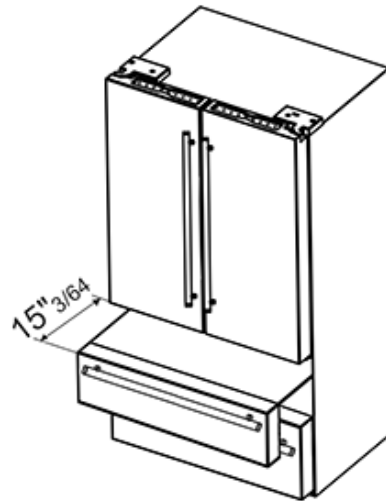
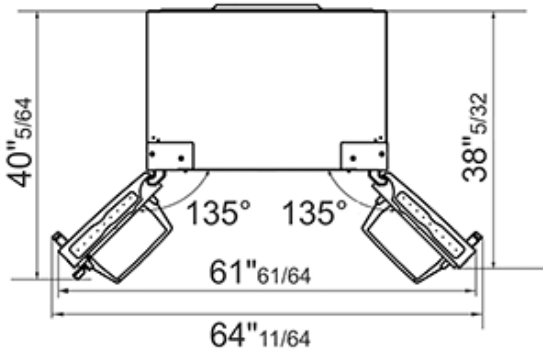
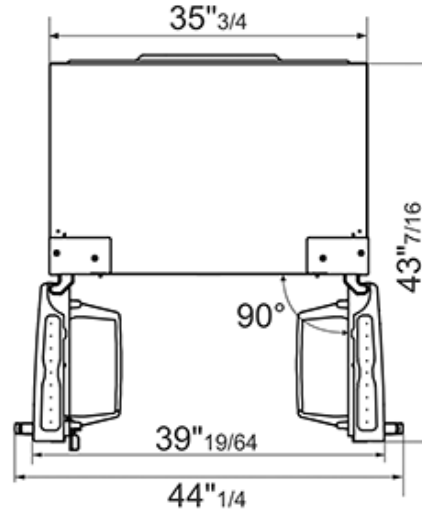
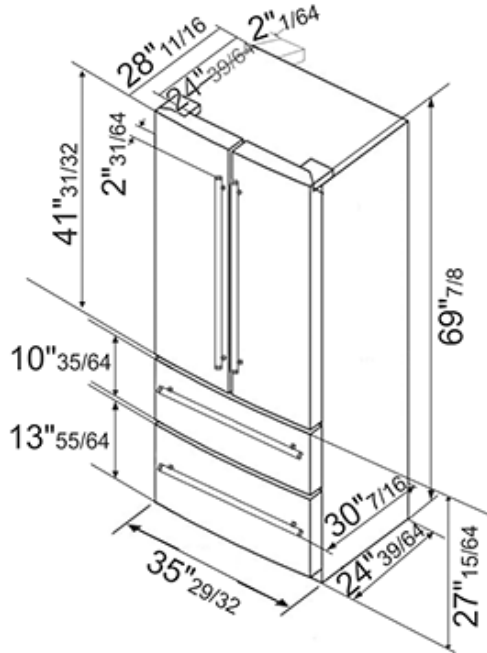
**SMEG U.S.A. INC.  
A&D BUILDING  
150 EAST 58th STREET, 7th FLOOR  
NEW YORK, NY, 10155  
Tel. +1 212 265 5378  
Fax +1 212 265 5945**



# FQ50UFXE

classic

fridge  
 free standing  
 2 doors and 2 drawers  
 stainless steel  
 36"



SMEG U.S.A. INC.  
 A&D BUILDING  
 150 EAST 58th STREET, 7th FLOOR  
 NEW YORK, NY, 10155  
 Tel. +1 212 265 5378  
 Fax +1 212 265 5945