

MCD4538E
24" Built-In Stainless Steel Microwave

AEG

MCD4538E

24" Built-In Stainless Steel Microwave



MICROWAVE FEATURES

- 38 litre interior capacity
- Microwave and grill modes
- Fingerprint proof stainless steel frame
- Stainless steel inner cavity
- Digital display with touch controls
- Children's safety lock
- Memory function - program 3 favourite recipes
- 3 Auto Cook functions
- Drop-down grill for easy cleaning
- Fully programmable clock and timer

ELECTRICAL REQUIREMENTS

- 208 / 240 Volt, 60Hz, 3400 Watt, 20 AMP
Supplied with a 5ft long Canadian cord and plug.

MICROWAVE DIMENSIONS

D: 20^{15/16"} • W: 23^{7/16"} • H: 17^{15/16"}
D: 531 mm • W: 595 mm • H: 455 mm

CUT-OUT DIMENSIONS

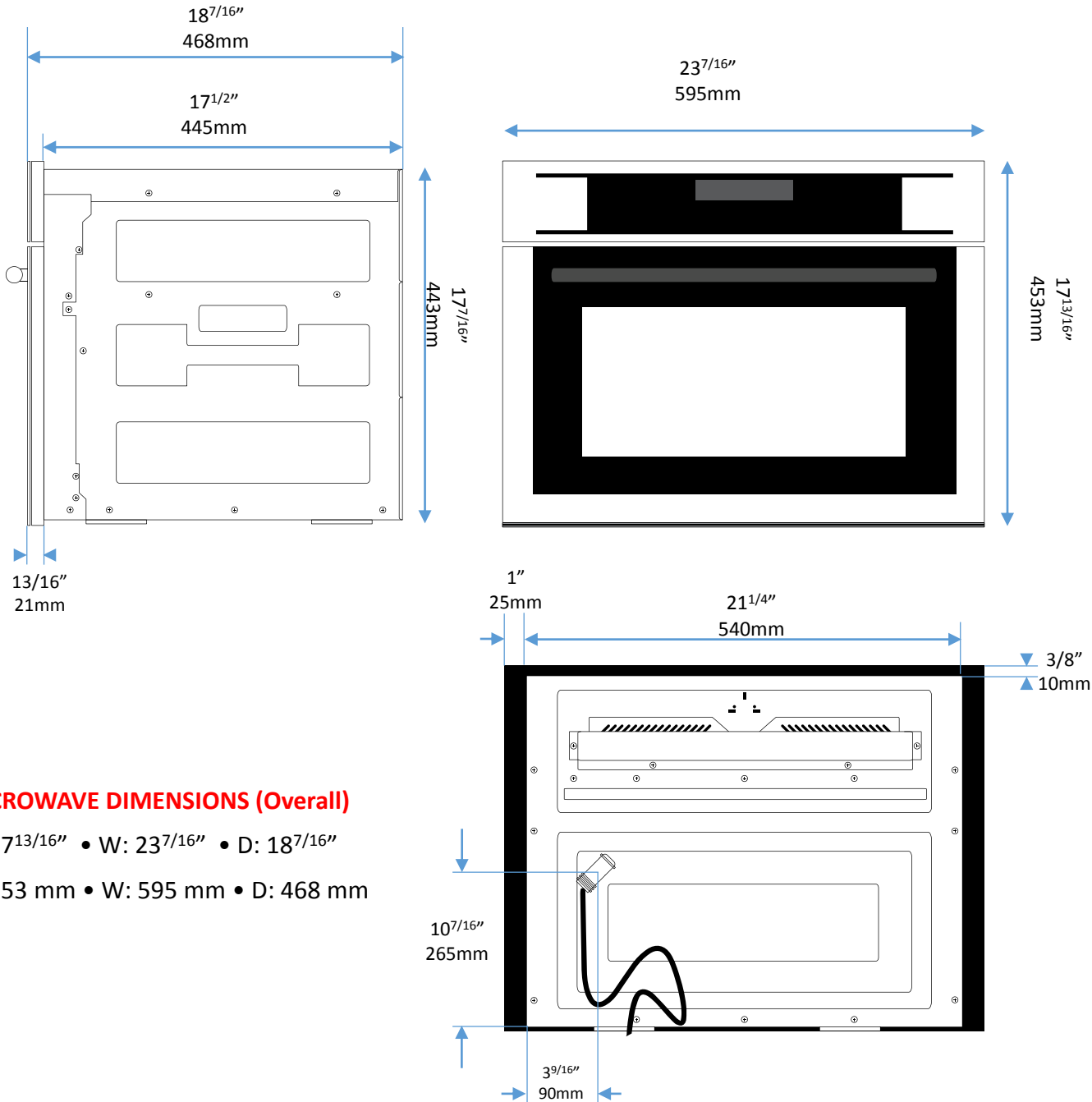
D: 21^{5/8"} • W: 22^{1/16"} • H: 17^{3/4"}
D: min. 550 mm • W: min. 560 mm • H: 450 mm

MICROWAVE ACCESSORIES

- Circular glass turntable
- Turntable ring and support
- Browning plate
- High grill rack
- Low grill rack
- Optional –TK455 : 2 piece stainless steel trim kit to create a seamless cooking tower in 30" cabinet opening

Specifications

MCD4538E



MICROWAVE DIMENSIONS (Overall)

H: $17\frac{13}{16}$ " • W: $23\frac{7}{16}$ " • D: $18\frac{7}{16}$ "

H: 453 mm • W: 595 mm • D: 468 mm

Specifications (Column Installation)

MCD4538E

MICROWAVE DIMENSIONS (Body)

- H: 17¹/₂" • W: 21¹/₄" • D: 17¹/₂"
- H: 443 mm • W: 540 mm • D: 445 mm

CUT-OUT DIMENSIONS

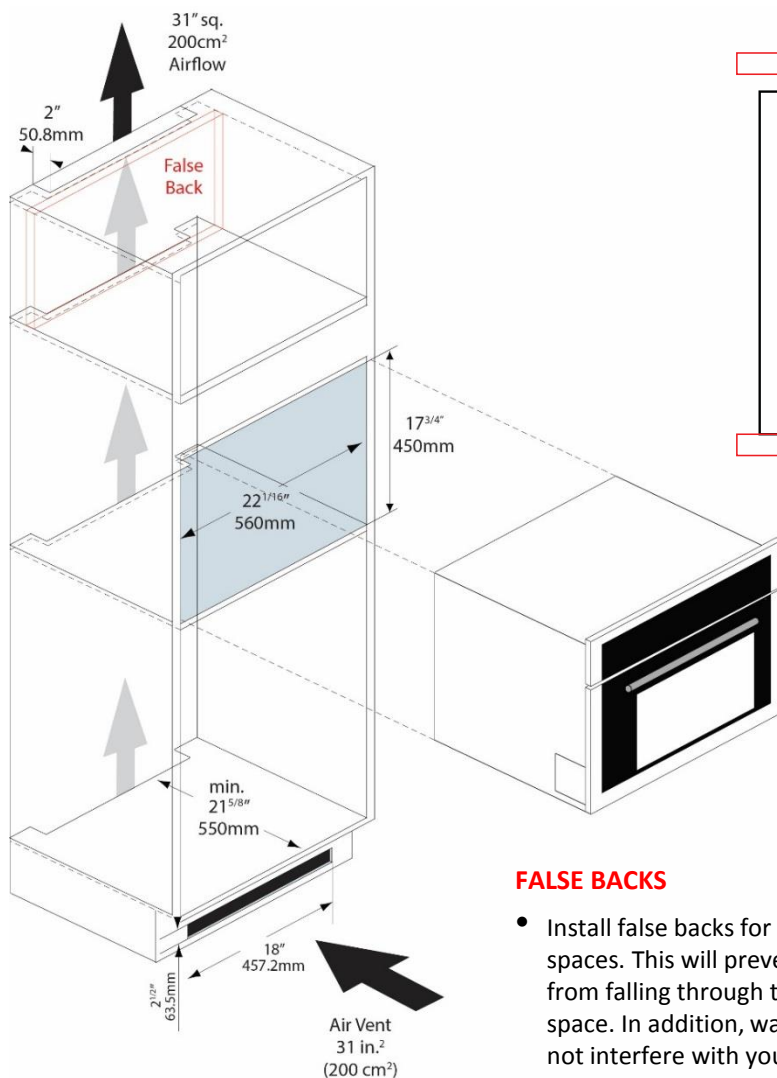
- H: 17³/₄" • W: 22¹/₁₆" • D: 21⁵/₈"
- H: 450 mm • W: min. 560 mm • D: min 550 mm

ELECTRICAL REQUIREMENTS

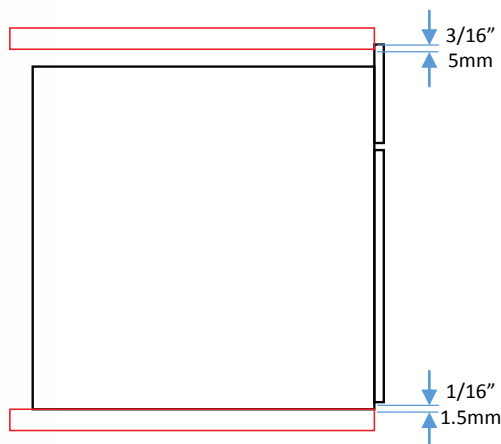
- 208 / 240 Volt, 60Hz, 3400 Watt, 20AMP

IMPORTANT

- AEG ovens are supplied with a 5' 5ft long Canadian electrical cord and plug.



SIDE VIEW

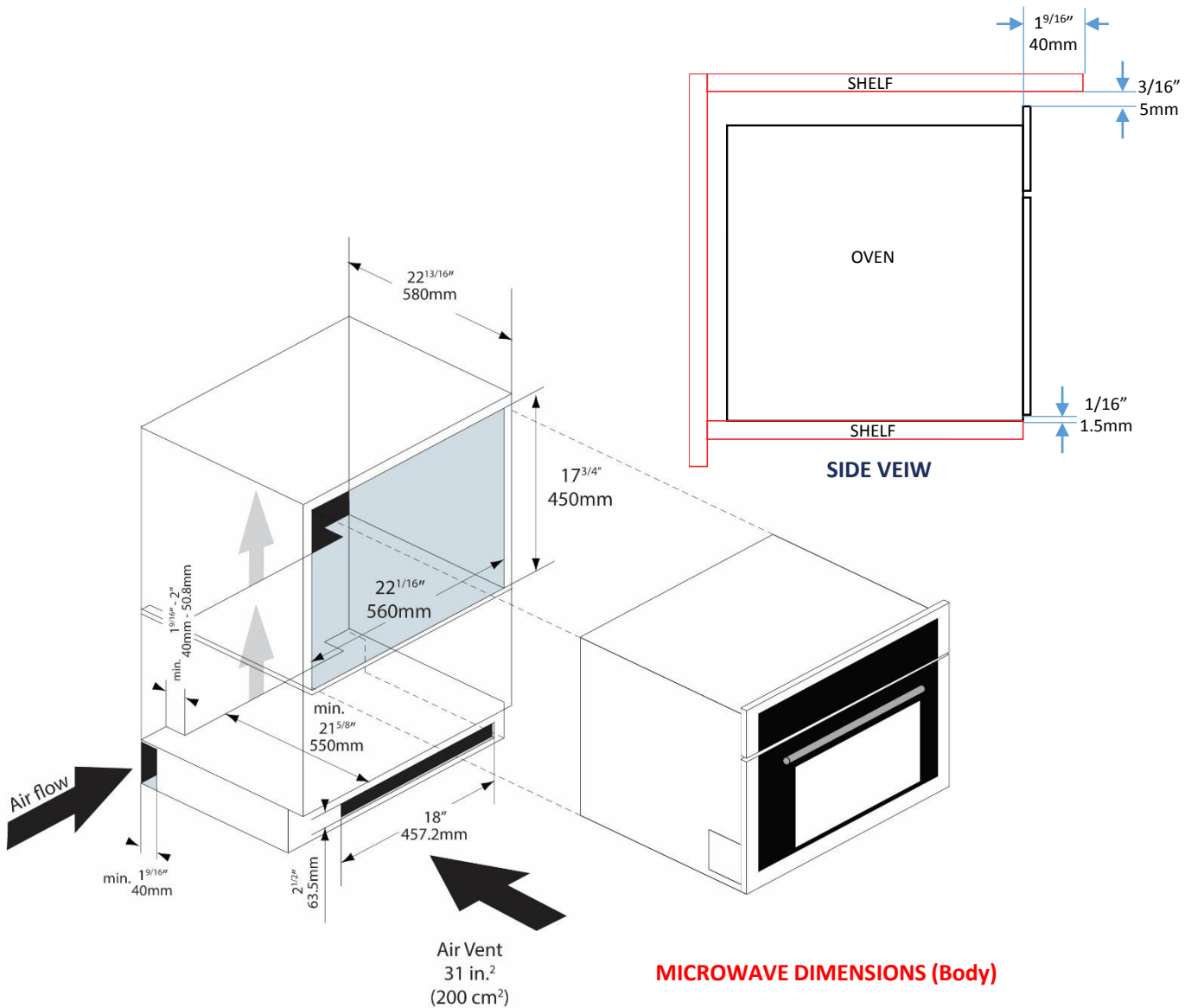


FALSE BACKS

- Install false backs for storage spaces. This will prevent contents from falling through the vent space. In addition, warm air will not interfere with your stored contents

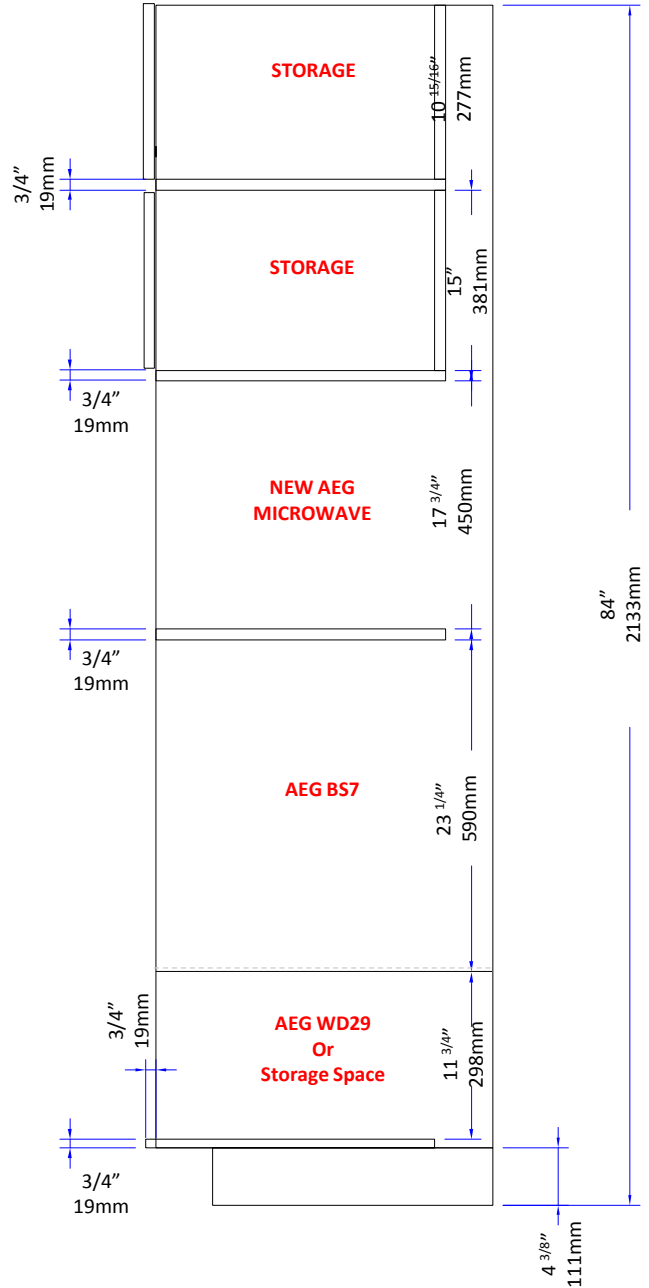
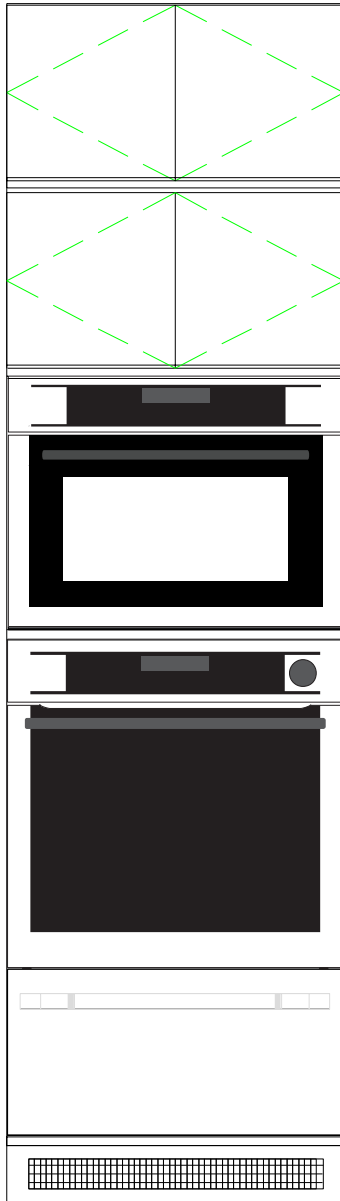
Specifications (Under Counter Installation)

MCD4538E



Specifications (Tower Installation)

MCD4538E



Specifications (Tower Installation)

MCD4538E



AEG

AEG Appliances are designed and manufactured to the highest standards. Each appliance is covered by a comprehensive 2-year parts and labour warranty.

Refer to product warranty policy for complete terms and conditions.

FOR PARTS AND SERVICE

Euro-Parts & Service

39822 Belgrave Road, Belgrave, ON. N0G 1E0

1 800 678 8352 (Canada) • 1 800 561 4614 (U.S.)

www.euro-parts.ca • parts@euro-parts.ca • service@euro-parts.ca

AEG appliances are imported and distributed in North America by Euro-Line Appliances Inc. For more information, please visit one of our showrooms or

www.euro-line-appliances.com www.elawest.com

EURO-LINE APPLIANCES INC.

871 Cranberry Court
Oakville, ON L6L 6J7 Canada
905 829 3980
1 800 421 6332

marketing@euro-line-appliances.com

EURO-LINE APPLIANCES WEST INC.

2912 West 4th Avenue
Vancouver, BC V6K 1R2 Canada
604 235 3980
1 855 ELA WEST (352.9378)

info@elawest.com

